

Body Builder Buffered Speed Signal X156 Connector

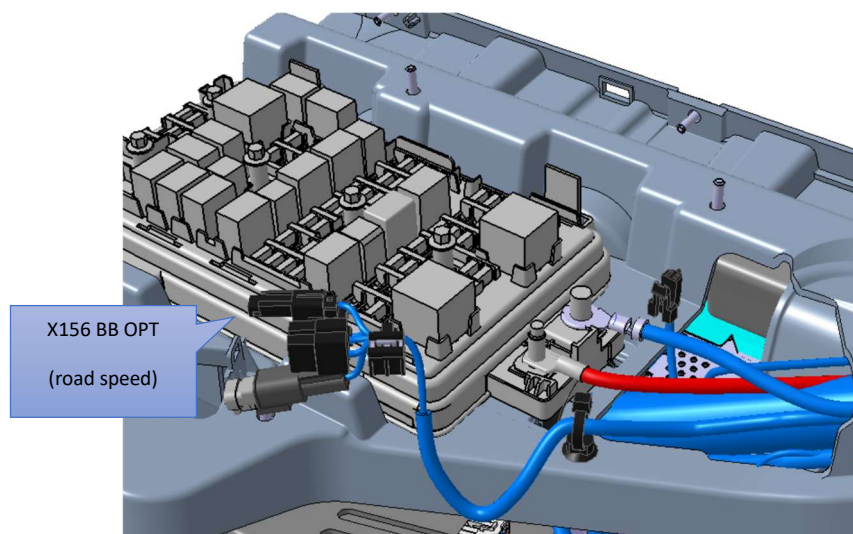
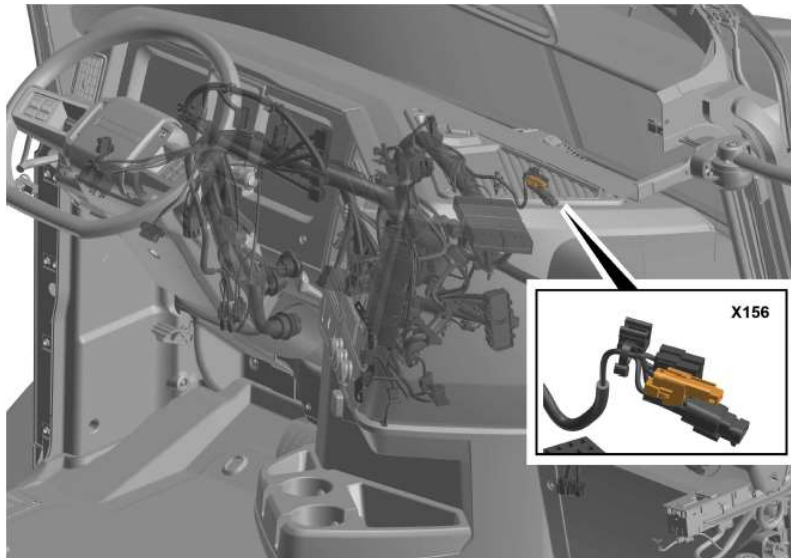
Mating Connector – #8077130

Terminal x 2– #25161233

Lock- #8397688

Location of road speed connector is under dash plate right side of fuse panel

Mack Conventional Trucks **built after week 37 of 2023**



If your device does not recognize road speed signal. Check that the parameter is set correctly.

OLD IC Parameter CZS=2, New IC Parameter P13NU=2 is for road speed signal.