

Engineering Release Notice (ERN)	Location	Change Description	A = Added D = Deleted	W = Was	Document Release Status RELEASED
					Date
					Modification Count

WIRING DIAGRAM INDEX, 12V

NAME	DESCRIPTION	Page	NAME	DESCRIPTION	Page
AA	POWER DISTRIBUTION 1/2	2	DF	TRANSMISSION CONTROL M-DRIVE 2 / 2	37
AB	POWER DISTRIBUTION 2/2	3	DG-NYC	TRANSMISSION CONTROL 5TH GENERATION 3 / 3 (ABR-HCON (AK FUNCTION))	38
AC	KEY SW., START & CHARGING	4	EA	ABS MERITOR	39
AD	GROUNDING	5	EB	ABS BENDIX (ABS8 TO ABS6)	40
BA	VEHICLE ECU 1 / 4	6	ED	ABS BENDIX (ABS8)	41
BB	VEHICLE ECU 2 / 4	7	EF-NYC	VEHICLE DATA LOGGING INTERFACE, 1 EXTRA OBD & 1 TMC RP1226 (P3X-K3X)	42
BC	VEHICLE ECU 3 / 4	8	FA	AIR DRYER / HEATED DRAIN	43
BD	VEHICLE ECU 4 / 4	9	FB	CHASSIS SOLENOIDS	44
BE	INSTRUMENT CLUSTER 1 / 3	10	FC-NFC	MUNCIE PUMP & BEACON LAMPS	45
BF	INSTRUMENT CLUSTER 2 / 3	11	FD	PARKER PTO	46
BG	INSTRUMENT CLUSTER 3 / 3	12	FE-NYC	SINGLE BIN PACKER/PLOW CONTROLS (BBM-PK7)	47
BH	ALLISON BODY BUILDER INTERFACE	13	GA-NYC	LIGHTING - CONTROL W/ BRACONF2	48
BI	TGW2	14	GD-NYC	LIGHTING - FORWARD / SIGNAL	49
BJ	BODY LINK II CONSTRUCTION BODY BUILDER CIRCUITS (BBM-PK10)	15	GF	LIGHTING - TAIL LAMP	50
BK	CONCRETE DUAL TRANSMISSION PTO BODYBUILDER PACKAGE (BBM-PK5)	16	GG-NYC	LIGHTING - TRAILER CONTROL	51
BL	CONCRETE SINGLE DRIVESHAFT PTO BODYBUILDER PACKAGE (BBM-PK4)	17	GH	LIGHTING - INTERIOR	52
BM	BODY LINK II REFUSE BODY BUILDER CIRCUITS (BBM-PK9)	18	GL	LIGHTING - FORWARD - LED W/ DRL	53
BN	CONCRETE DUAL DR-SHAFT PTO PACKAGE 1/2 (BBM-PK6)	19	GP	WIPER / WASHER	54
BO	CONCRETE DUAL DR-SHAFT PTO PACKAGE 2/2(BBM-PK6)	20	GQ	ELECTRIC HORN	55
BP	TMC RP 170 BODYBUILDER PACKAGE 1 / 2 (BBM-PK17)	21	HA	CLIMATE CONTROL	56
BQ	TMC RP170 BODYBUILDER PACKAGE 2 / 2 (BBM-PK17)	22	IC	MIRROR CONTROL 1 / 2	57
BR-O	BODYBUILDER CIRCUITS (L3X-BAX)	23	ID	MIRROR CONTROL 2 / 2	58
BS-NYC	NYC SINGLE BIN TAILGATE CONTROLS (BBM-PK7)	24	KA	VISUAL SYSTEMS	59
BT-NYC	NYC SINGLE BIN TAILGATE CONTROLS (BBM-PK7)	25	KB	AUDIO SYSTEMS	60
CA-NYC	ENGINE INTERFACE MP7 & MP8 W/ DPF SWITCH RELOCATED TO C PANEL	26	KC	POWER OUTLET CONNECTIONS	61
CC	ENGINE/FUEL HEATER	27	NA-NYC	SPARE CONNECTIONS & FEEDS	62
CD	AUXILIARY COOLING FANS	28	NB-NYC	JUNCTION POSTS & ELECTRIC FUEL PRIMER PUMP (PRIM-EL)	63
CE	ENGINE INTERFACE CUMMINS ISL-G	29	NC-O	LYTX DRIVE CAM PREP (1PA-BBX)	64
CF	UREA DOSING SYSTEM	30	NE-NYC	SINGLE BIN HYDRAULIC PUMP PROTECTION	65
CG	CNG FUEL LEVEL	31	XA	DIAGNOSTICS / DATALINK 1 (MACK ENGINE)	66
CH	UREA DOSING SYSTEM OBD2013 2 / 3	32	XB	DIAGNOSTICS / DATALINK 1 (CUMMINS ENG)	67
CK	METHANE DETECTION SYSTEM	33	XC	DATALINK 2	68
DC	TRANSMISSION CONTROL 5TH GENERATION 1 / 3	34	XD	DATALINK 4	69
DD-NYC	TRANSMISSION CONTROL 5TH GENERATION 2 / 3	35	XE	DATALINK 10 (CUMMINS ENGINE)	70
DE	TRANSMISSION CONTROL M-DRIVE 1 / 2	36			

The copying, distribution and utilization of this document as well as the communication of its contents to others without expressed authorization is prohibited. Offenders will be held liable for payment of damages. All rights reserved in the event of the grant of a patent, utility model or ornamental design registration.

Document Title
**WIRING DIAGRAM
 TYPE OM
 NYC SPECIALS 19WK01**

MACK

Mack Trucks, Inc.

Document Type
TECHNICAL REGULATION

Owner Domain: Document Prefix

Document No	Issue Index	Volume No	Page No
23353115	01	01	1(70)

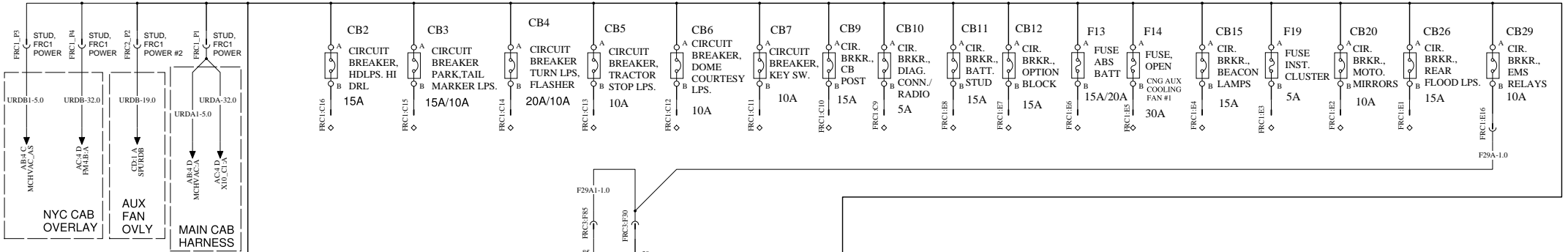
POWER DISTRIBUTION 1 / 2

WIRING DIAGRAM: AA-NYC

BATT
IGN
EMS
ILLUM

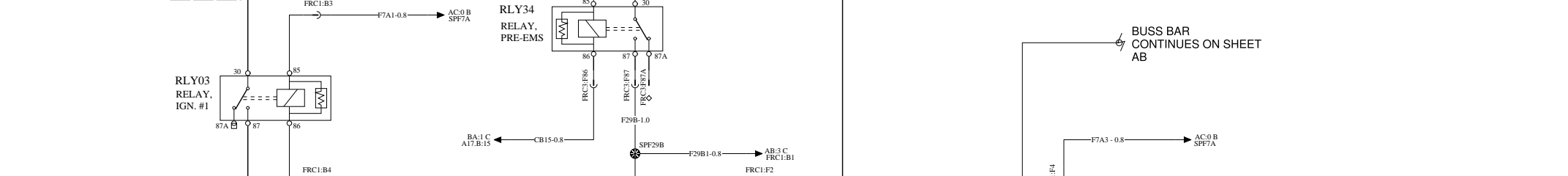
A

A



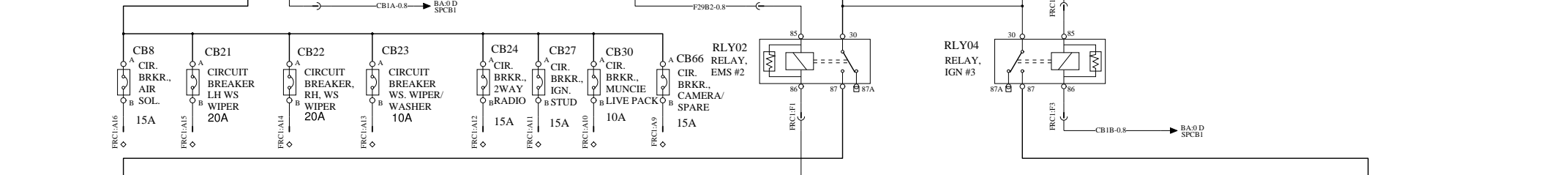
B

B



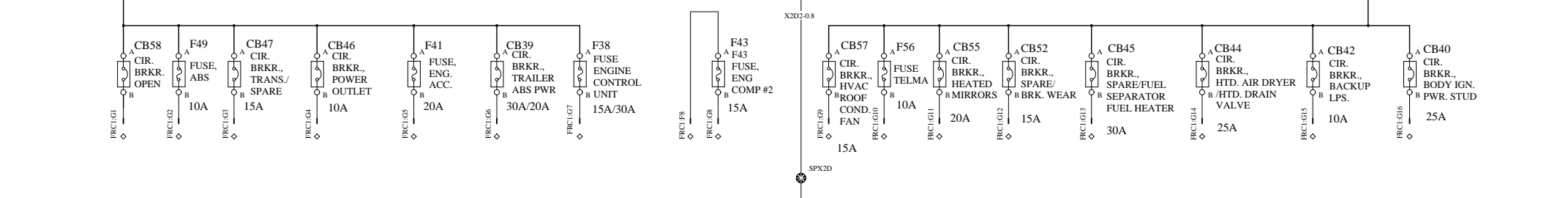
C

C



D

D



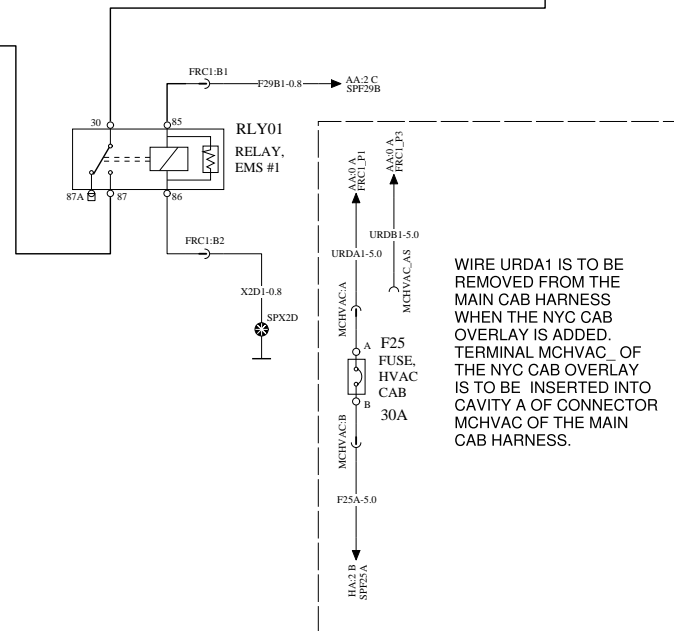
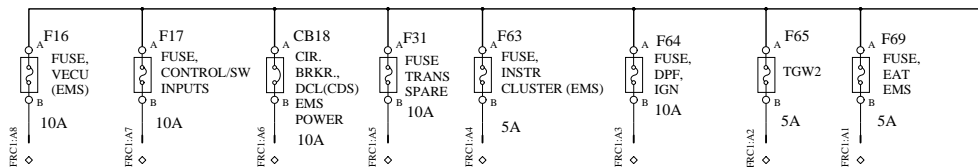
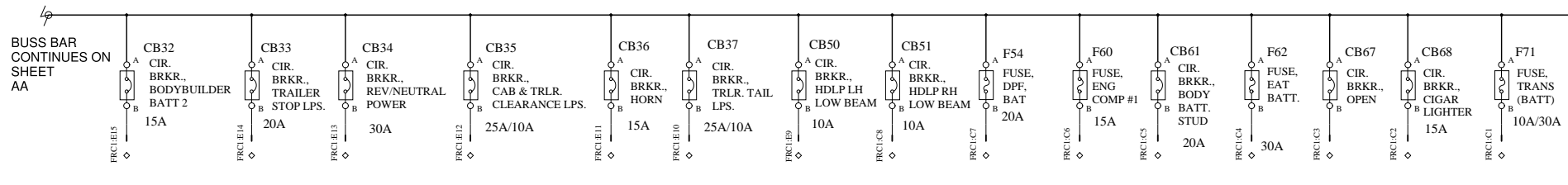
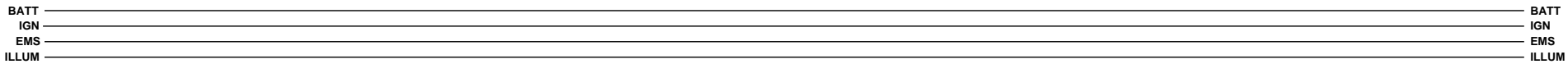
E

E

MACK

Mack Trucks Inc.

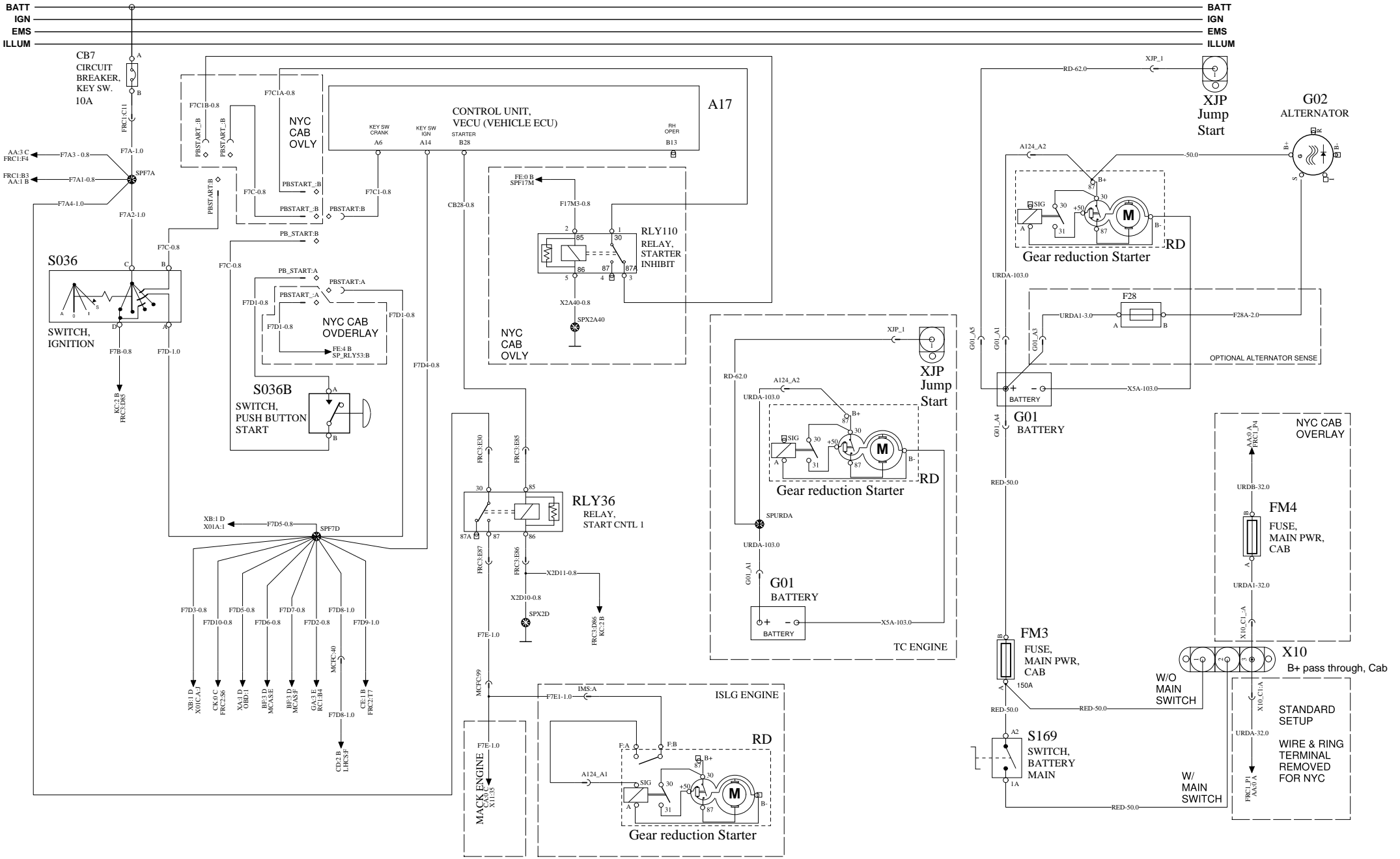
Document title WIRING DIAGRAM - TYPE-OM W/ CE OPTIONS	Drawing No. 23353115	Issue 01	Page 2 (70)
Document type PRODUCT SCHEMATIC			



WIRE URDA1 IS TO BE REMOVED FROM THE MAIN CAB HARNESS WHEN THE NYC CAB OVERLAY IS ADDED. TERMINAL MCHVAC OF THE NYC CAB OVERLAY IS TO BE INSERTED INTO CAVITY A OF CONNECTOR MCHVAC OF THE MAIN CAB HARNESS.

KEY SW., START & CHARGING

WIRING DIAGRAM: AC-NYC



MACK

Mack Trucks Inc.

Document title
WIRING DIAGRAM - TYPE-OM W/ CE OPTIONS

Document type
PRODUCT SCHEMATIC

Drawing No.
23353115

Issue
01

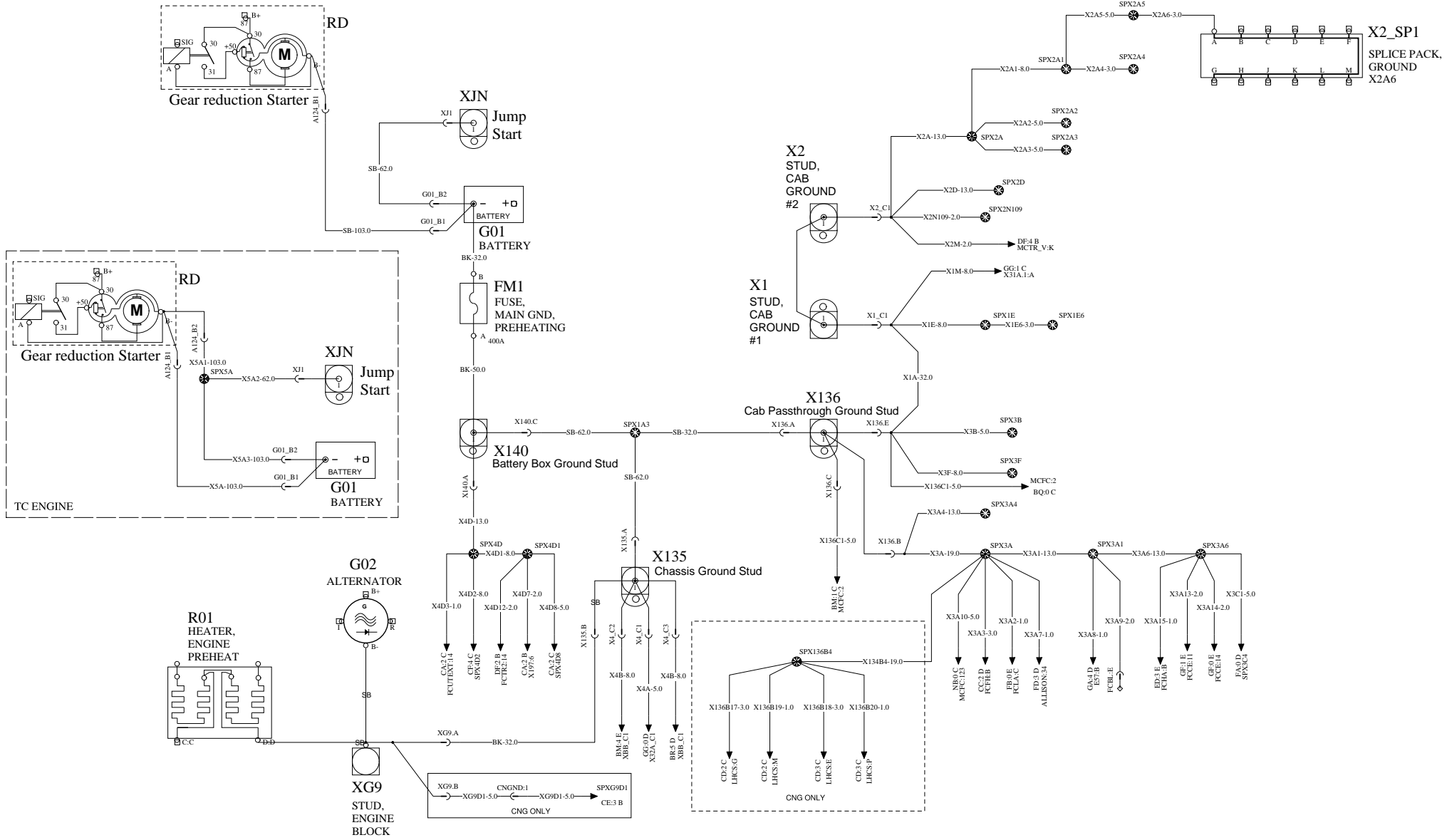
Page
4 (70)

GROUNDING

WIRING DIAGRAM: AD

BATT
IGN
EMS
ILLUM

BATT
IGN
EMS
ILLUM



MACK

Mack Trucks Inc.

Document title
WIRING DIAGRAM - TYPE-OM W/ CE OPTIONS

Document type
PRODUCT SCHEMATIC

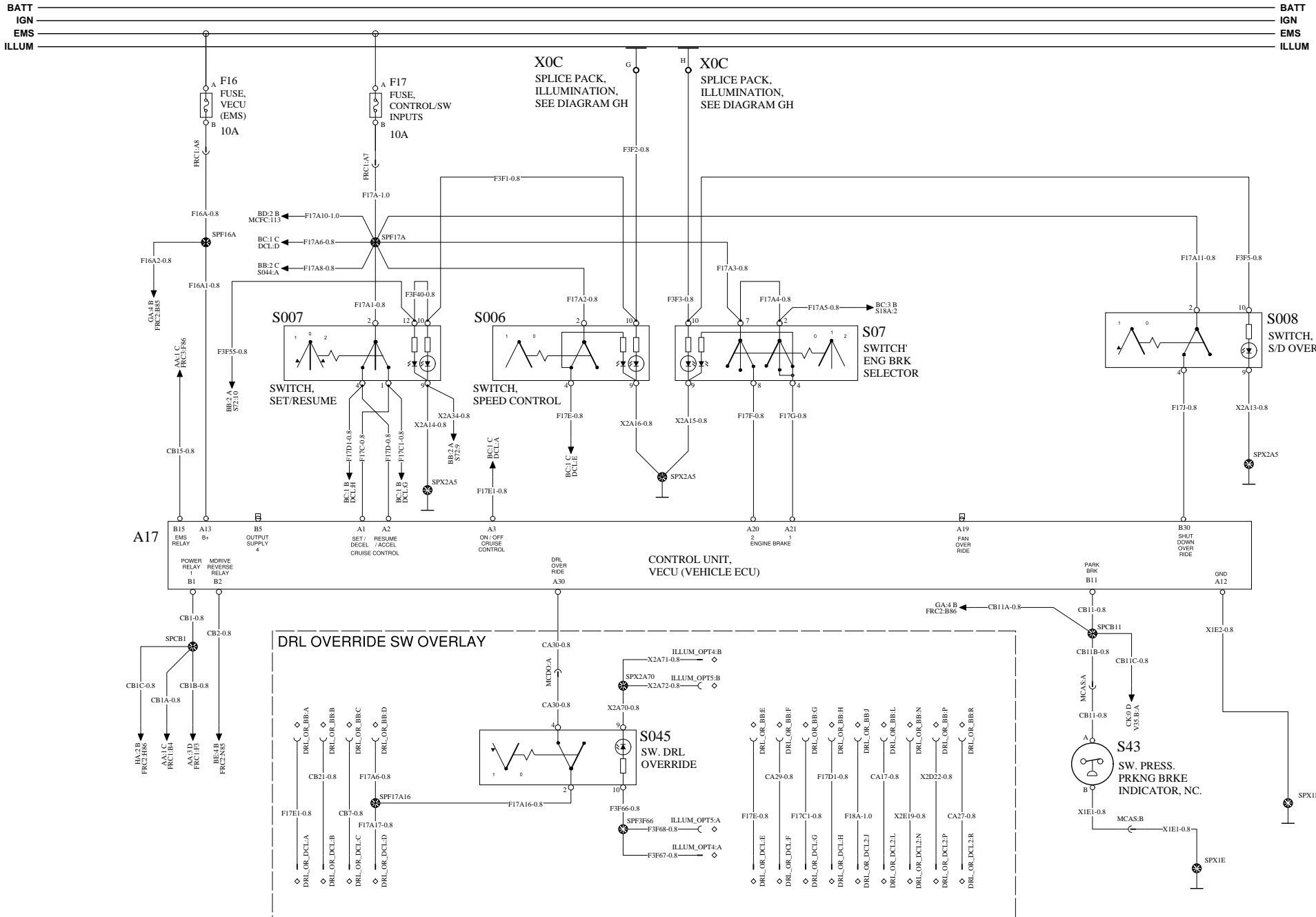
Drawing No.
23353115

Issue
01

Page
5 (70)

VEHICLE ECU 1 / 4

WIRING DIAGRAM: BA



MACK

Mack Trucks Inc.

Document title
WIRING DIAGRAM - TYPE-OM W/ CE OPTIONS

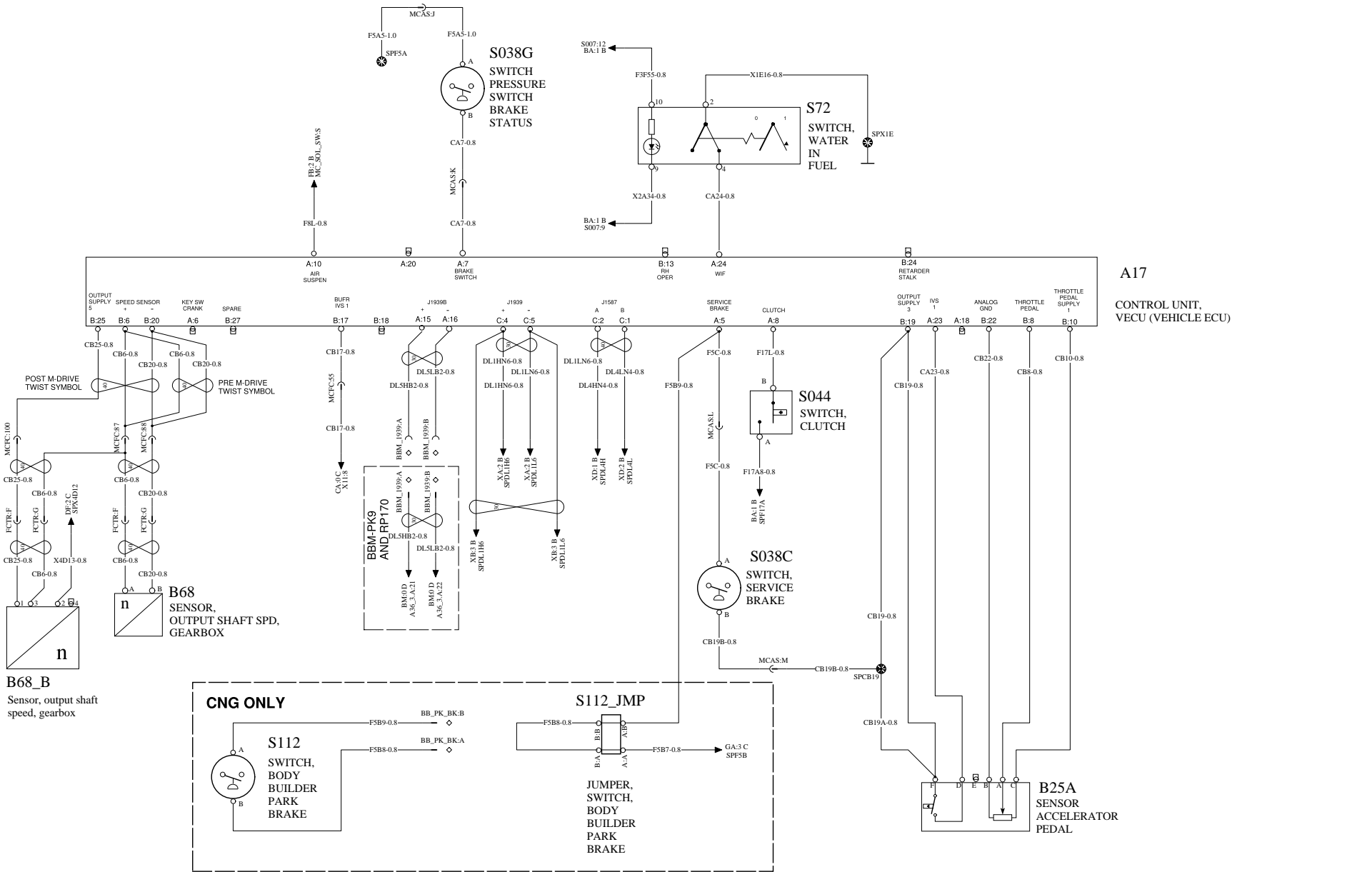
Document type
PRODUCT SCHEMATIC

Drawing No.
23353115

Issue
01

Page
6 (70)

BATT _____ BATT
 IGN _____ IGN
 EMS _____ EMS
 ILLUM _____ ILLUM



A17
 CONTROL UNIT,
 VECU (VEHICLE ECU)

VEHICLE ECU 3 / 4 - DCL CONNECTOR

WIRING DIAGRAM: BC-NYC

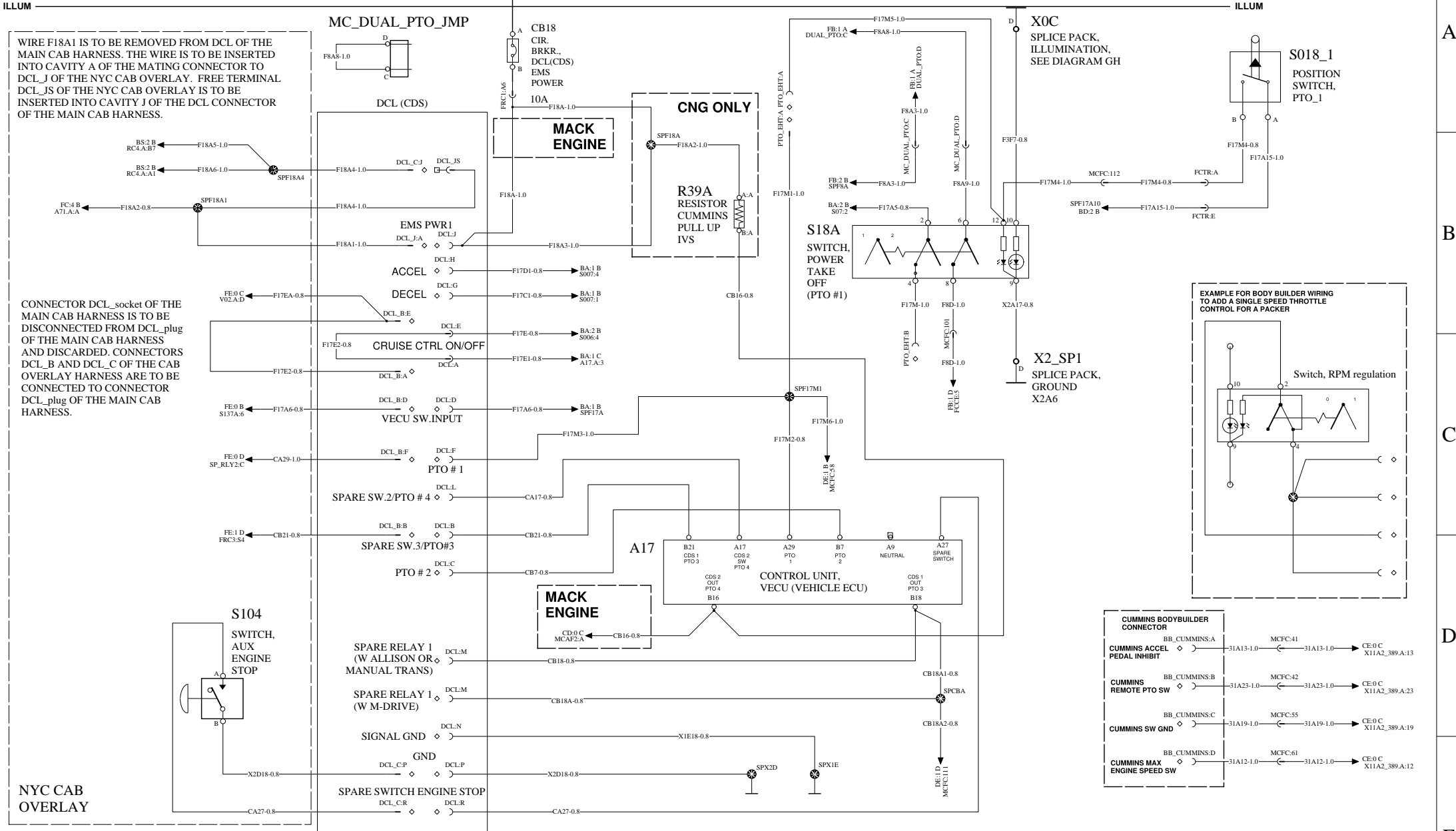
BATT
IGN
EMS
ILLUM

BATT
IGN
EMS
ILLUM

WIRE F18A1 IS TO BE REMOVED FROM DCL OF THE MAIN CAB HARNESS. THE WIRE IS TO BE INSERTED INTO CAVITY A OF THE MATING CONNECTOR TO DCL_J OF THE NYC CAB OVERLAY. FREE TERMINAL DCL_JS OF THE NYC CAB OVERLAY IS TO BE INSERTED INTO CAVITY J OF THE DCL CONNECTOR OF THE MAIN CAB HARNESS.

CONNECTOR DCL_socket OF THE MAIN CAB HARNESS IS TO BE DISCONNECTED FROM DCL_plug OF THE MAIN CAB HARNESS AND DISCARDED. CONNECTORS DCL_B AND DCL_C OF THE CAB OVERLAY HARNESS ARE TO BE CONNECTED TO CONNECTOR DCL_plug OF THE MAIN CAB HARNESS.

NYC CAB OVERLAY



MACK

Mack Trucks Inc.

Document title
WIRING DIAGRAM - TYPE-OM W/ CE OPTIONS

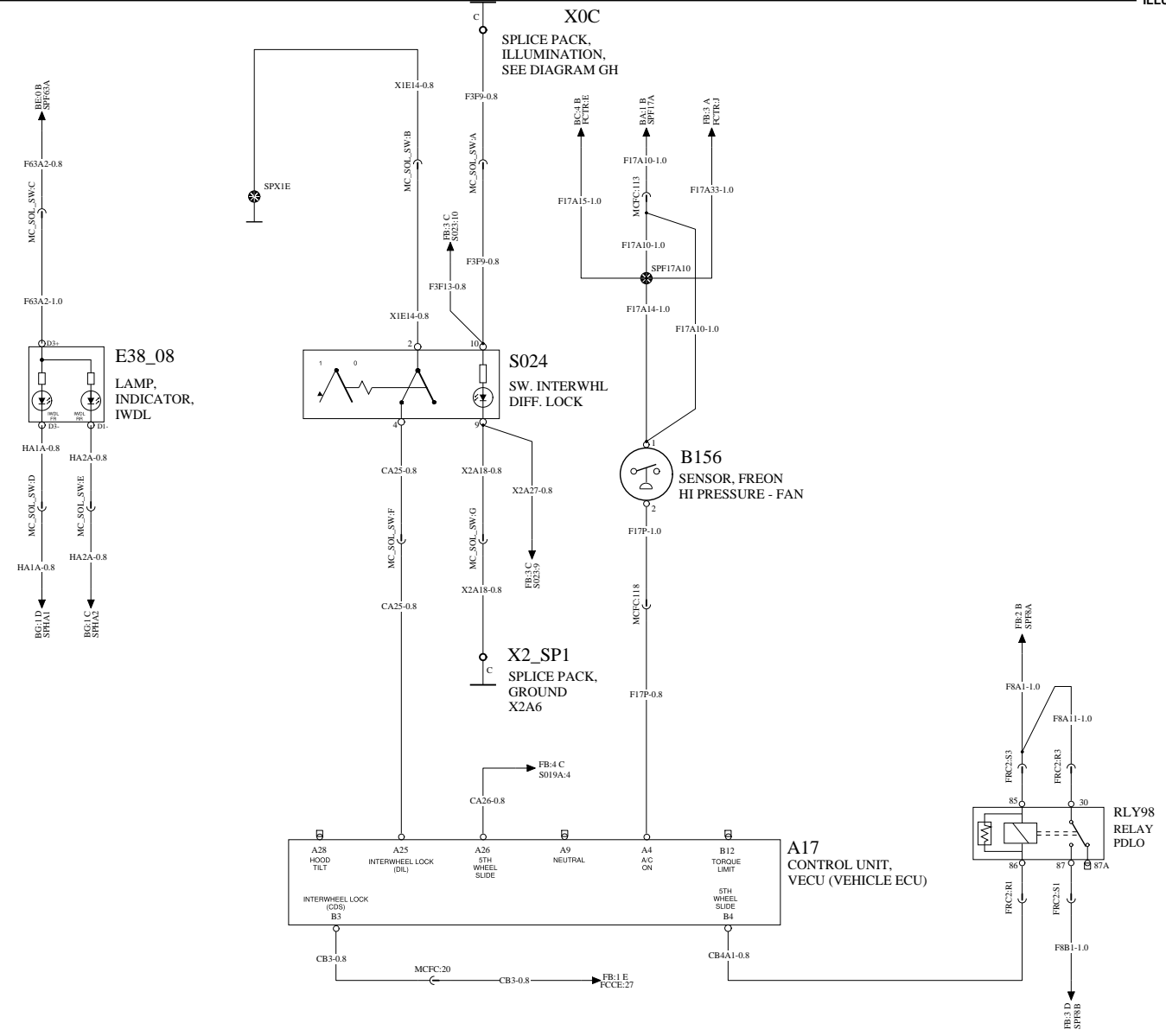
Document type
PRODUCT SCHEMATIC

Drawing No.
23353115

Issue
01

Page
8 (70)

BATT
IGN
EMS
ILLUM



MACK

Mack Trucks Inc.

Document title
WIRING DIAGRAM - TYPE-OM W/ CE OPTIONS

Document type
PRODUCT SCHEMATIC

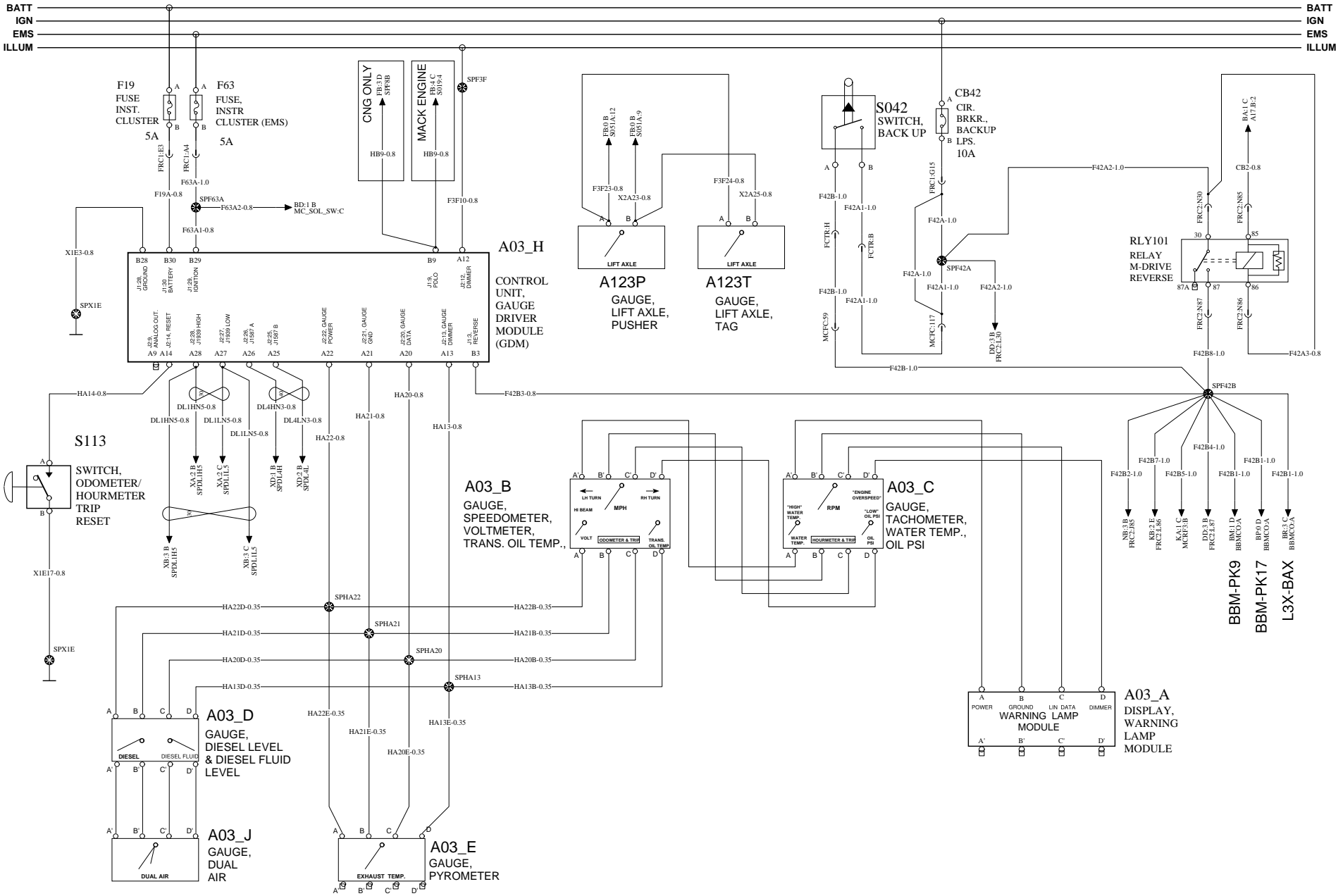
Drawing No.
23353115

Issue
01

Page
9 (70)

INSTRUMENT CLUSTER 1 / 3

WIRING DIAGRAM: BE



MACK

Mack Trucks Inc.

Document title
WIRING DIAGRAM - TYPE-OM W/ CE OPTIONS

Document type
PRODUCT SCHEMATIC

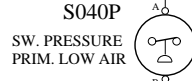
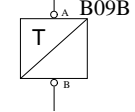
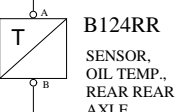
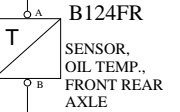
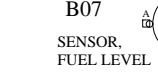
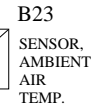
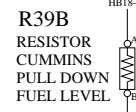
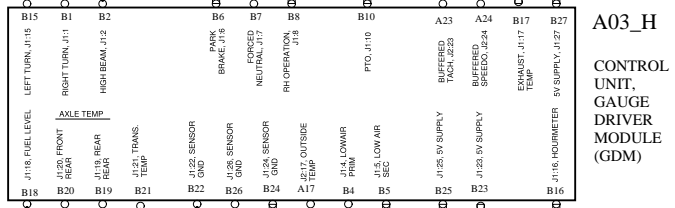
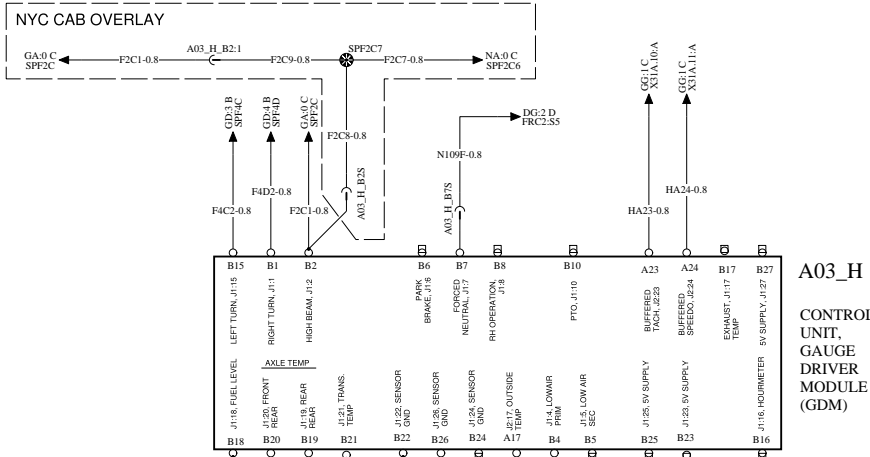
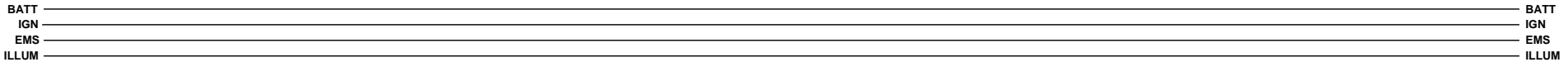
Drawing No.
23353115

Issue
01

Page
10 (70)

INSTRUMENT CLUSTER 2 / 3

WIRING DIAGRAM: BF-NYC

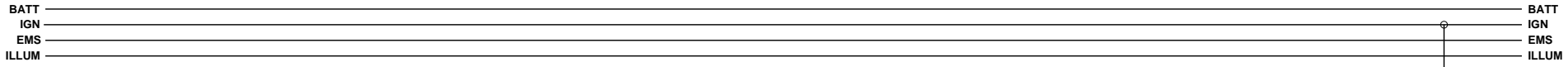


MACK

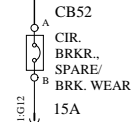
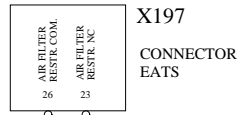
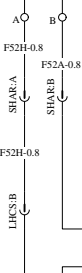
Mack Trucks Inc.

Document title WIRING DIAGRAM - TYPE-OM W/ CE OPTIONS
Document type PRODUCT SCHEMATIC

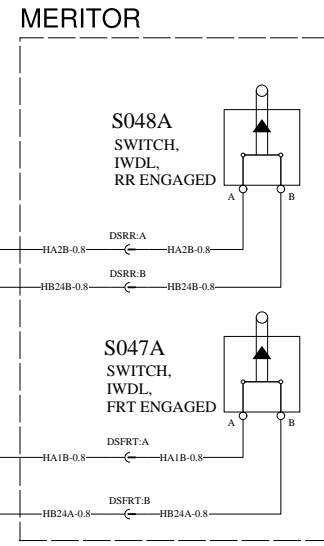
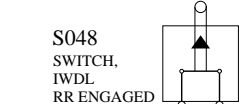
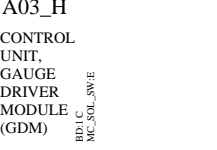
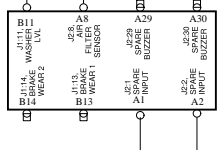
Drawing No. 23353115	Issue 01	Page 11 (70)
-------------------------	-------------	-----------------



B133
SENSOR,
AIR FILTER
RESTRICTION



B121
SENSOR,
LOW LEVEL
WASHER FLUID



MACK

Mack Trucks Inc.

Document title
WIRING DIAGRAM - TYPE-OM W/ CE OPTIONS

Document type
PRODUCT SCHEMATIC

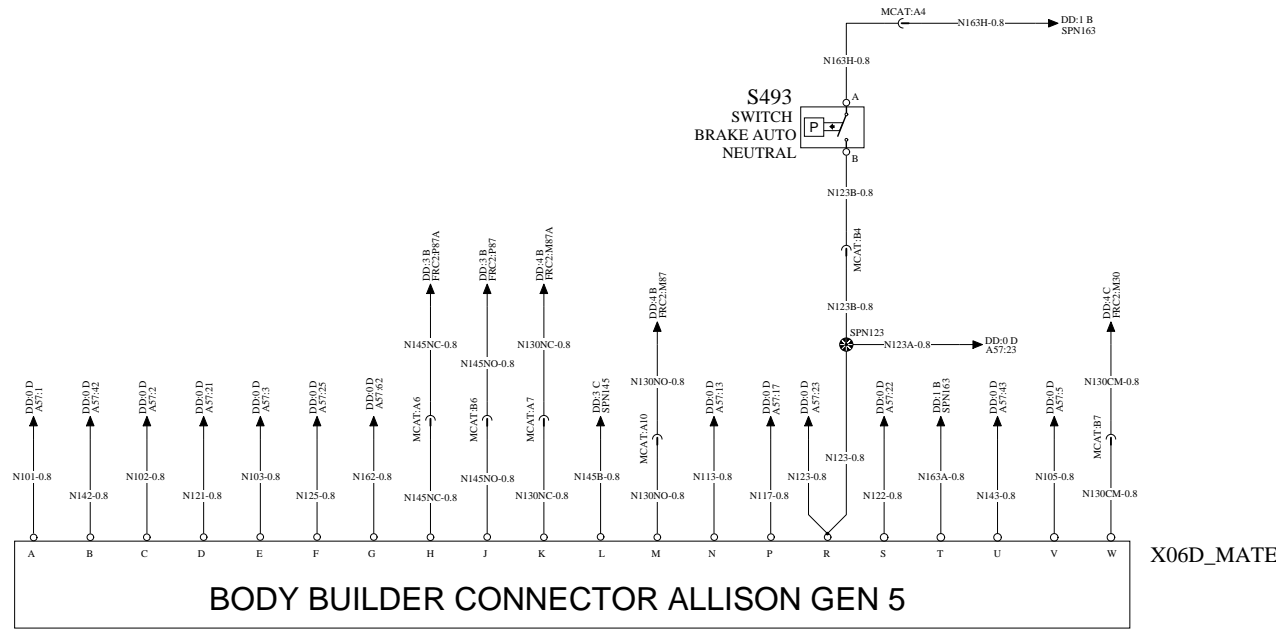
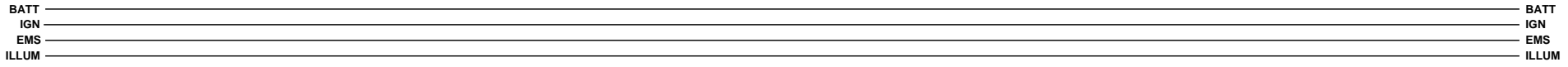
Drawing No.
23353115

Issue
01

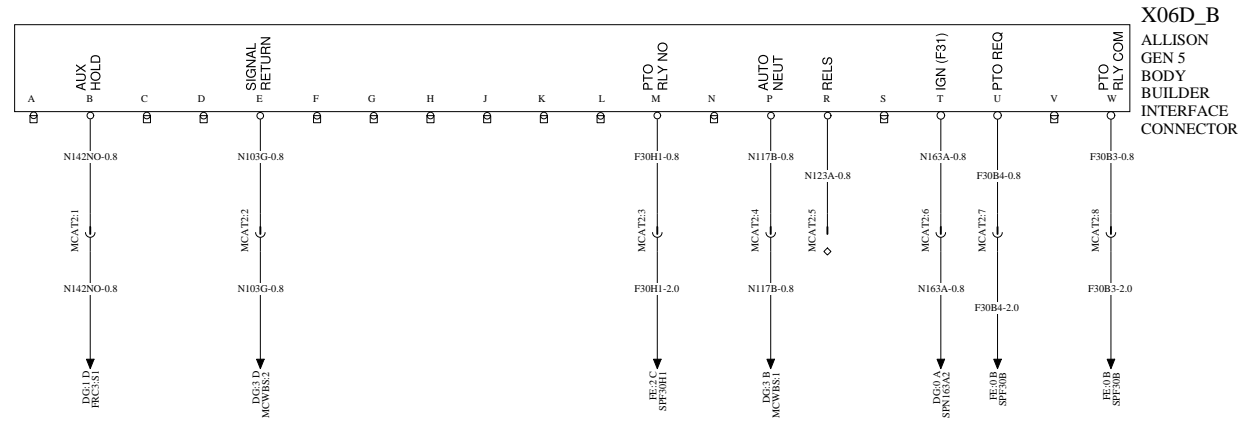
Page
12 (70)

ALLISON BODY BUILDER INTERFACE

WIRING DIAGRAM: BH-NYC



X06D_MATE OF THE MAIN CAB HARNESS IS CONNECTED TO X06D_B OF THE CAB OVERLAY HARNESS



MACK

Mack Trucks Inc.

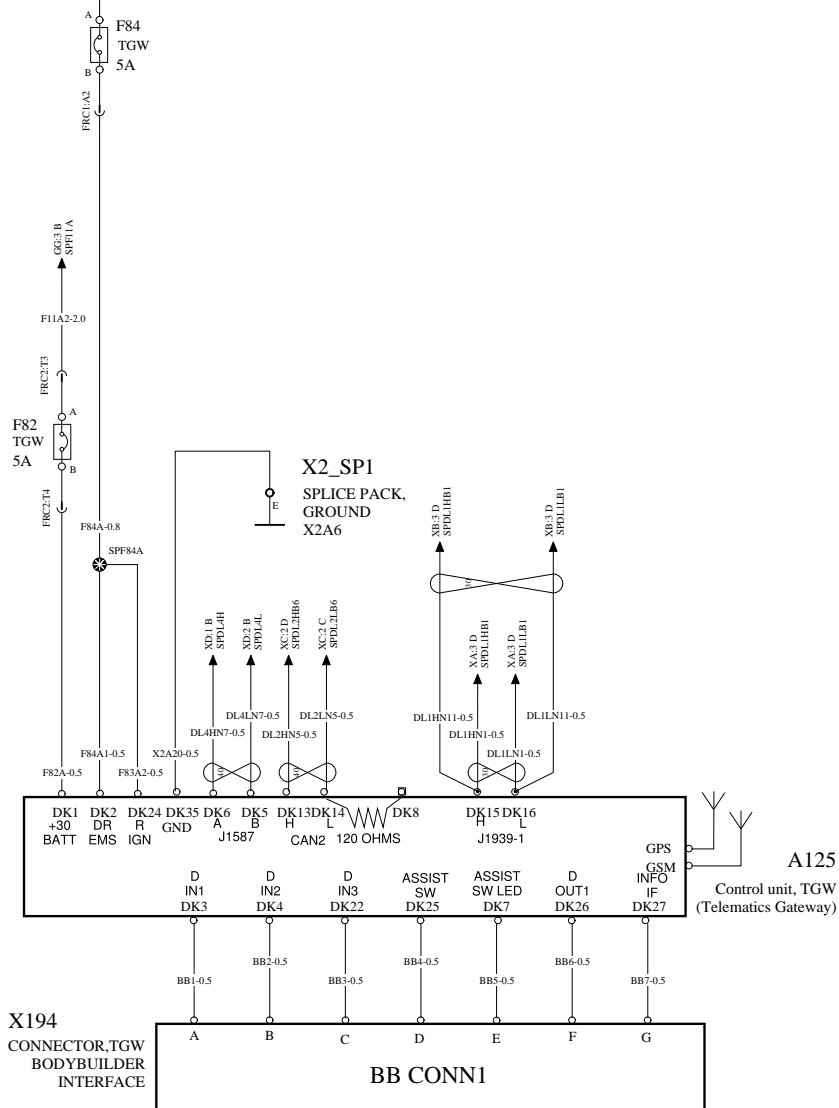
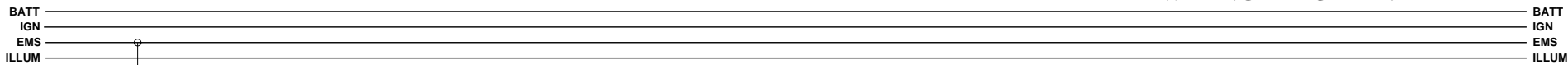
Document title
WIRING DIAGRAM - TYPE-OM W/ CE OPTIONS

Document type
PRODUCT SCHEMATIC

Drawing No.
23353115

Issue
01

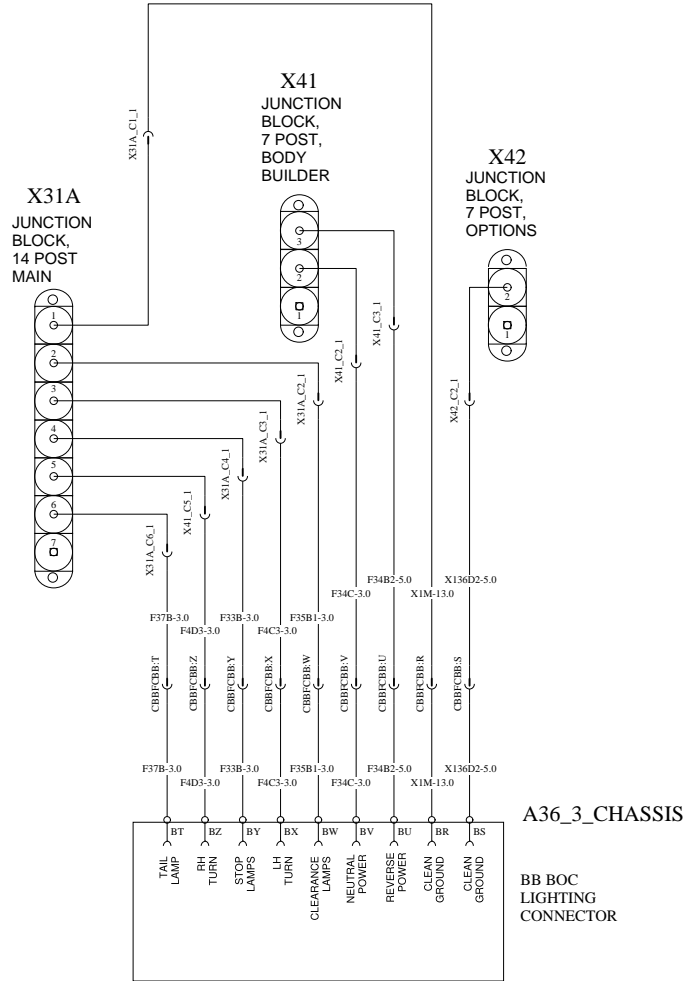
Page
13 (70)



BODY LINK II CONSTRUCTION BODY BUILDER CIRCUITS (BBM-PK10)

WIRING DIAGRAM: BJ

BATT _____ BATT
 IGN _____ IGN
 EMS _____ EMS
 ILLUM _____ ILLUM



MACK

Mack Trucks Inc.

Document title
 WIRING DIAGRAM - TYPE-OM W/ CE OPTIONS
 Document type
 PRODUCT SCHEMATIC

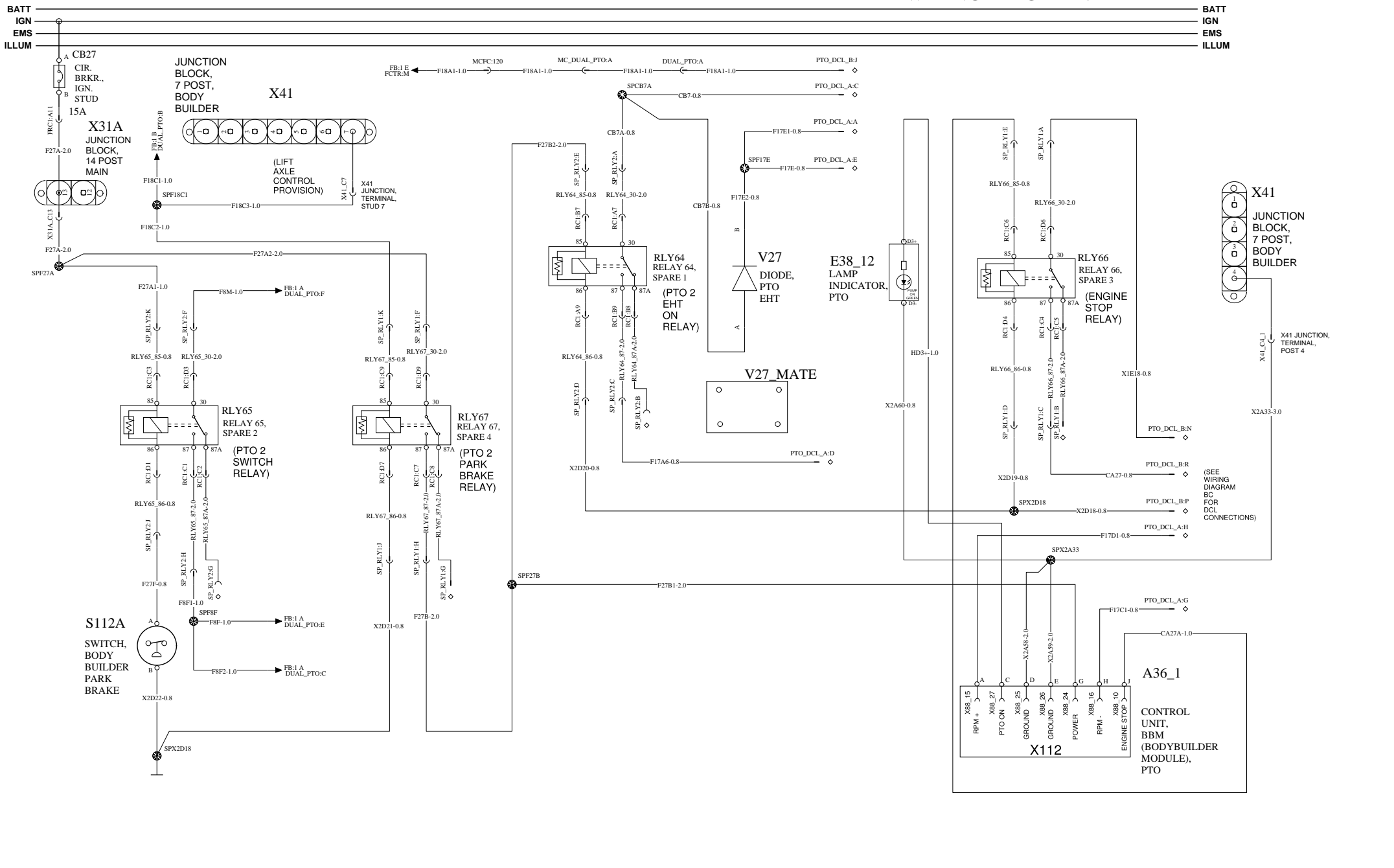
Drawing No.
 23353115

Issue
 01

Page
 15 (70)

CONCRETE DUAL TRANSMISSION PTO BODYBUILDER PACKAGE (BBM-PK5)

WIRING DIAGRAM: BK



MACK

Mack Trucks Inc.

Document title
 WIRING DIAGRAM - TYPE-OM W/ CE OPTIONS
 Document type
 PRODUCT SCHEMATIC

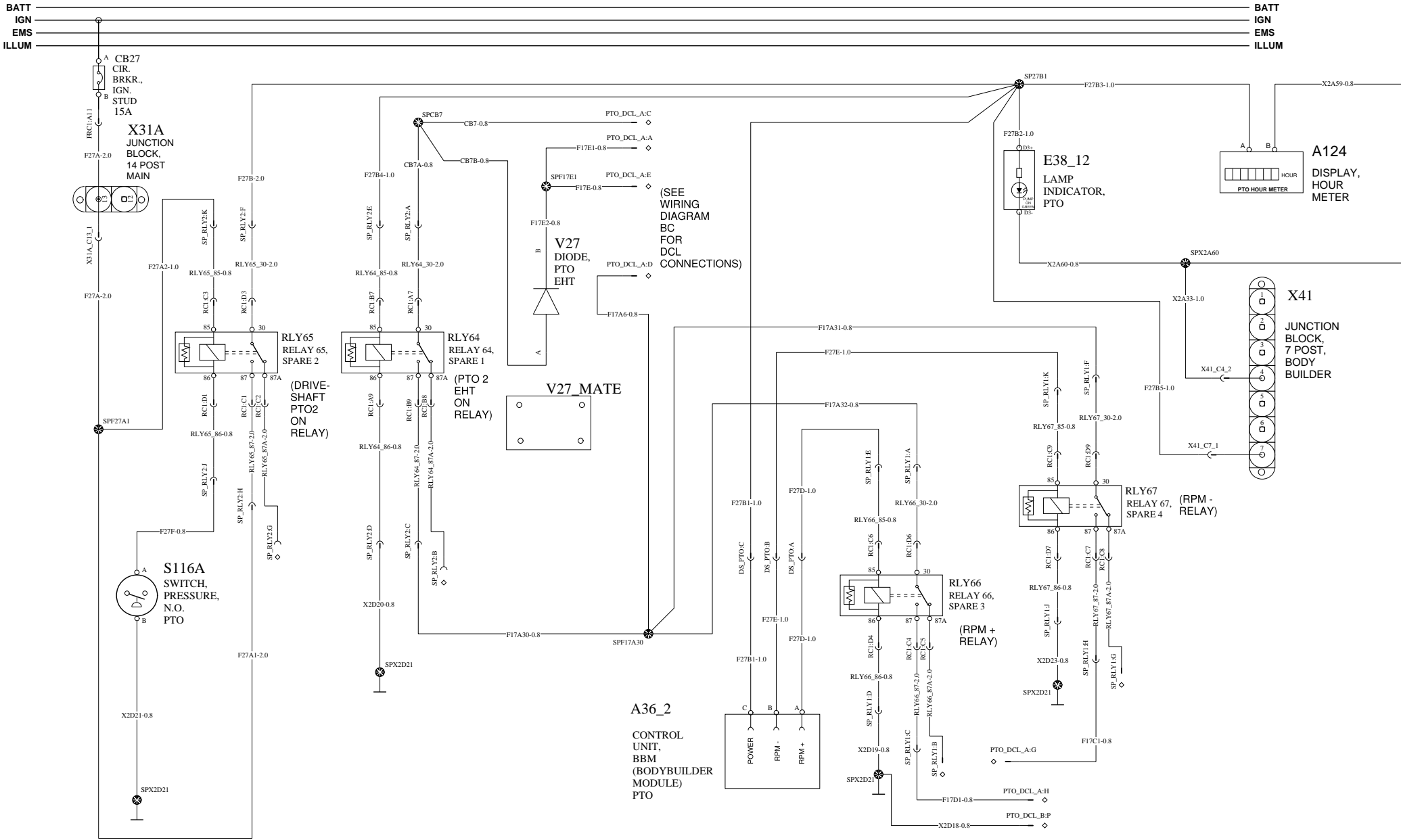
Drawing No.
 23353115

Issue
 01

Page
 16 (70)

CONCRETE SINGLE DRIVESHAFT PTO BODYBUILDER PACKAGE (BBM-PK4)

WIRING DIAGRAM: BL



MACK

Mack Trucks Inc.

Document title
WIRING DIAGRAM - TYPE-OM W/ CE OPTIONS

Document type
PRODUCT SCHEMATIC

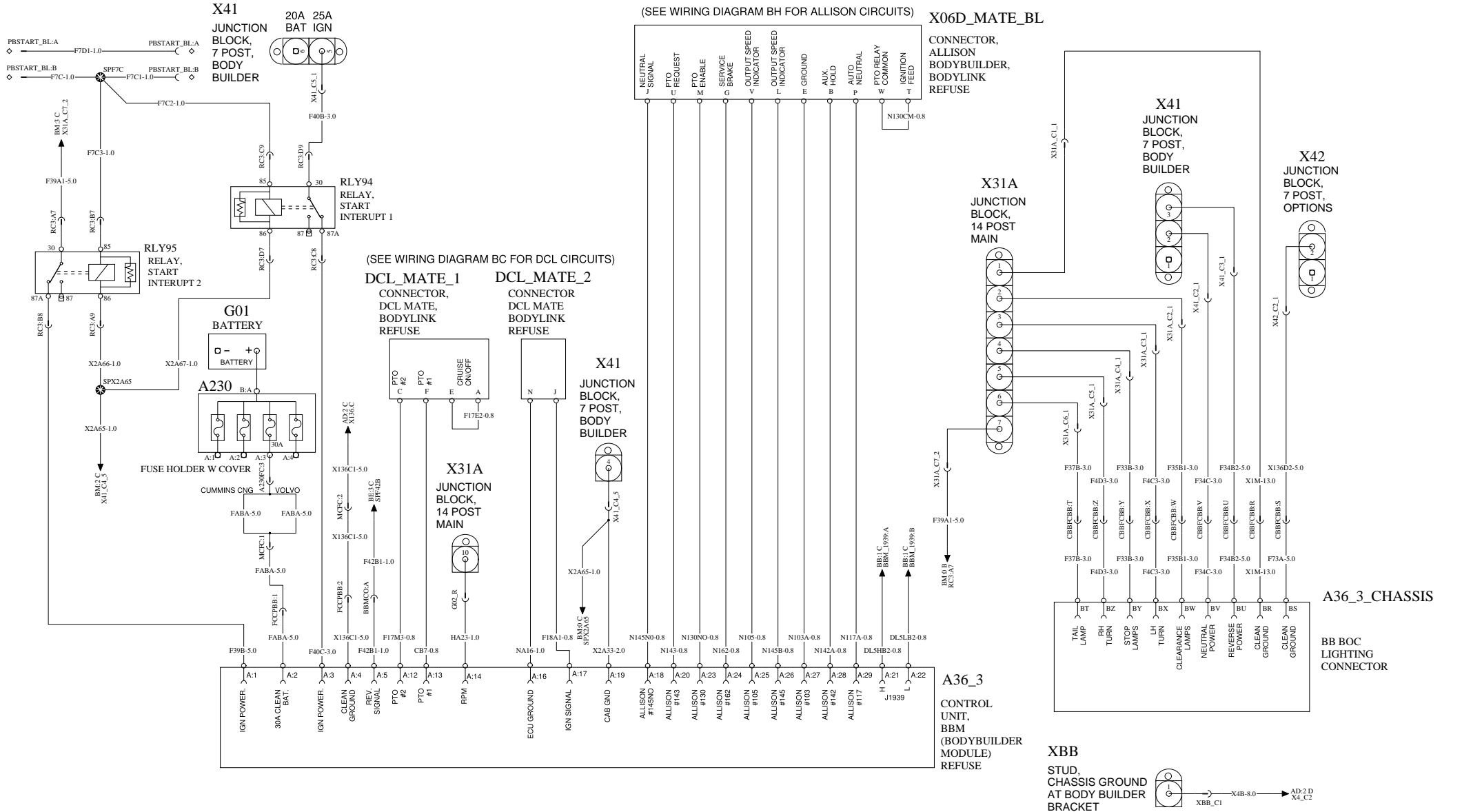
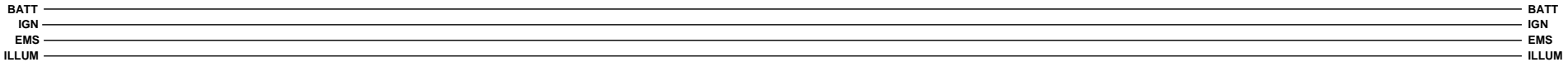
Drawing No.
23353115

Issue
01

Page
17 (70)

BODY LINK II REFUSE BODY BUILDER CIRCUITS (BBM-PK9)

WIRING DIAGRAM: BM



MACK

Mack Trucks Inc.

Document title
 WIRING DIAGRAM - TYPE-OM W/ CE OPTIONS

Document type
 PRODUCT SCHEMATIC

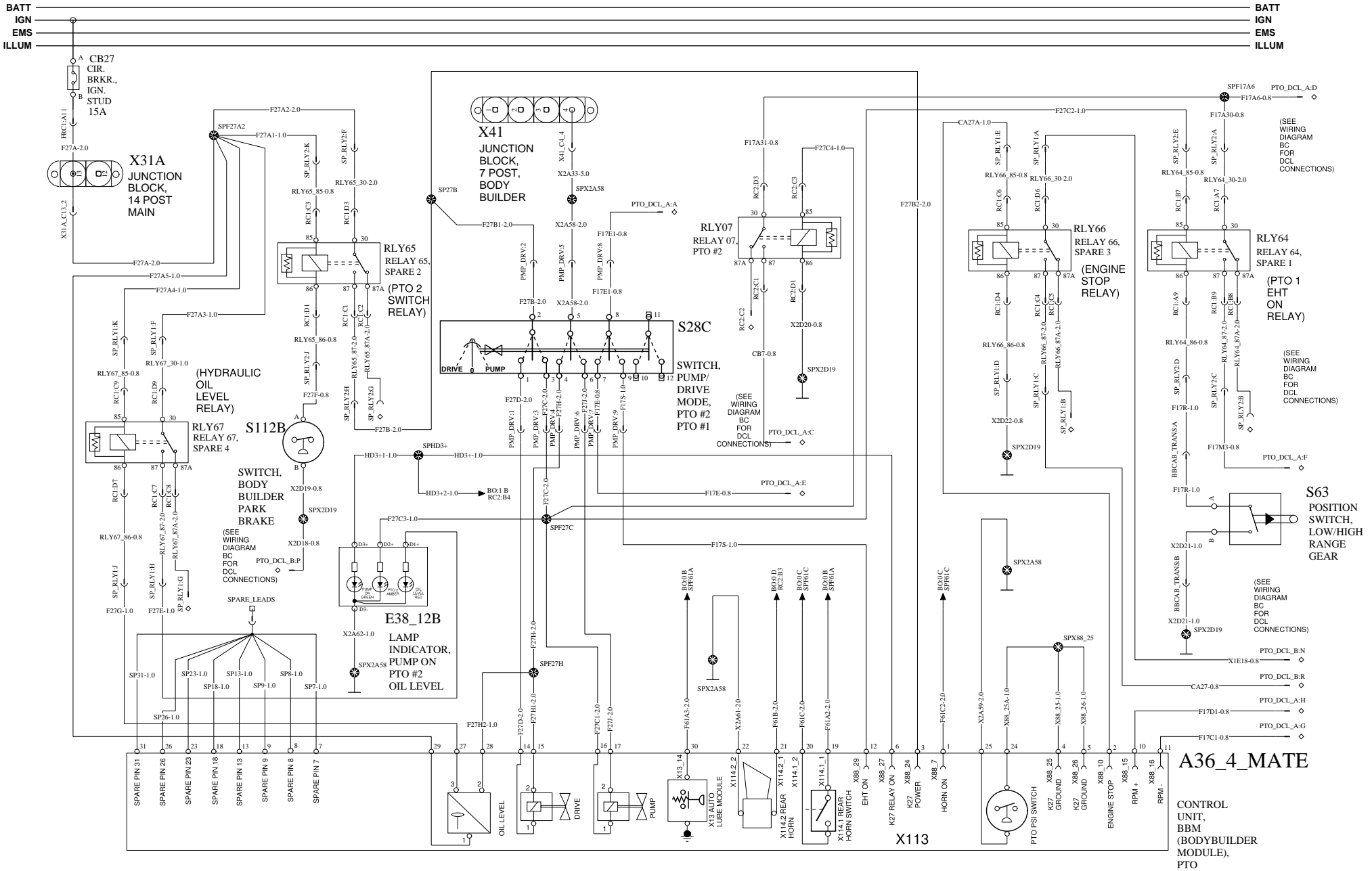
Drawing No.
 23353115

Issue
 01

Page
 18 (70)

CONCRETE DUAL DRIVESHAFT PTO PACKAGE 1 / 2 (BBM-PK6)

WIRING DIAGRAM: BN



MACK

Mack Trucks Inc.

Document title
WIRING DIAGRAM - TYPE-OM W/ CE OPTIONS

Document type
PRODUCT SCHEMATIC

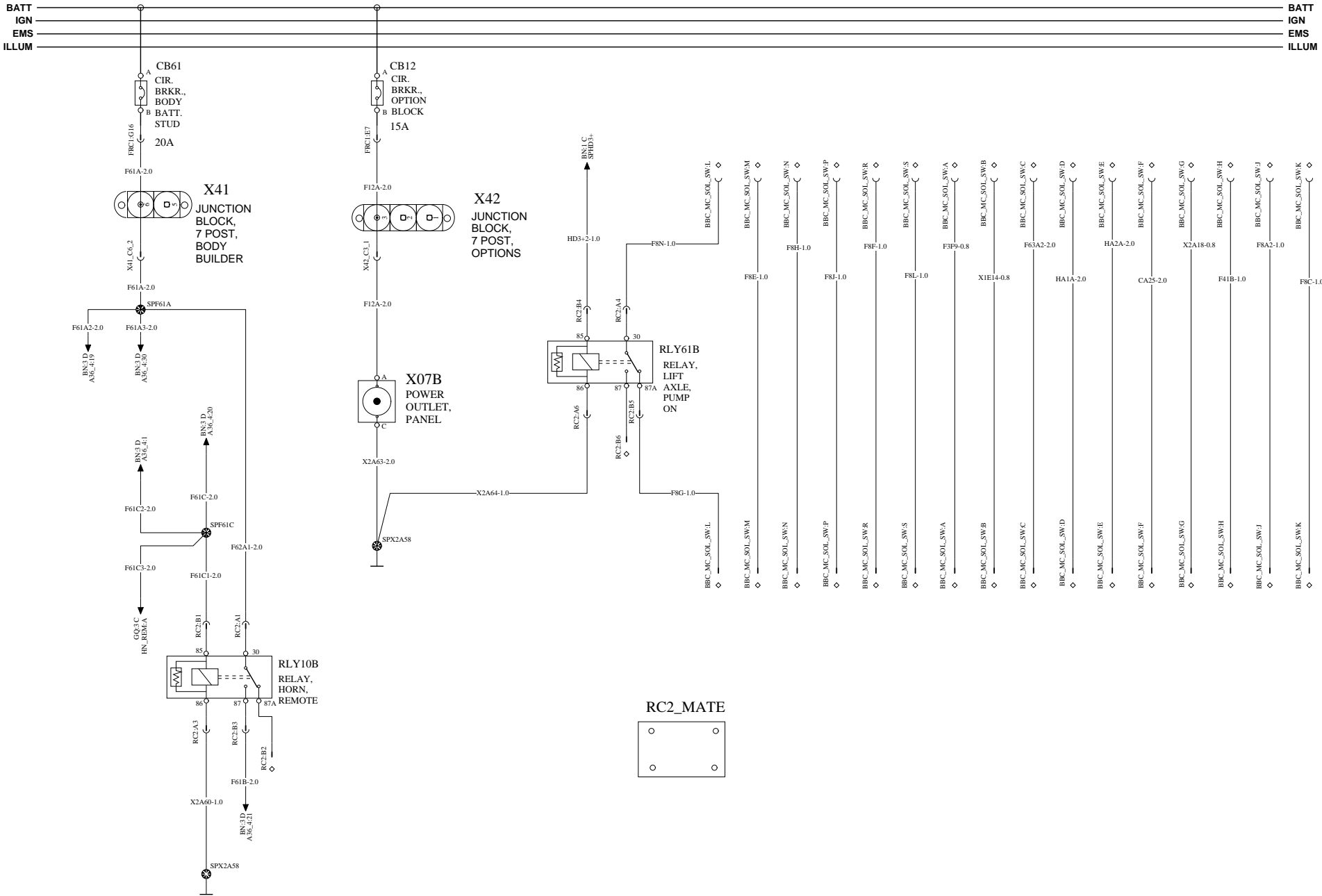
Drawing No.
23353115

Issue
01

Page
19 (70)

CONCRETE DUAL DRIVESHAFT PTO PACKAGE 2 / 2 (BBM-PK6)

WIRING DIAGRAM: BO



MACK

Mack Trucks Inc.

Document title
WIRING DIAGRAM - TYPE-OM W/ CE OPTIONS

Document type
PRODUCT SCHEMATIC

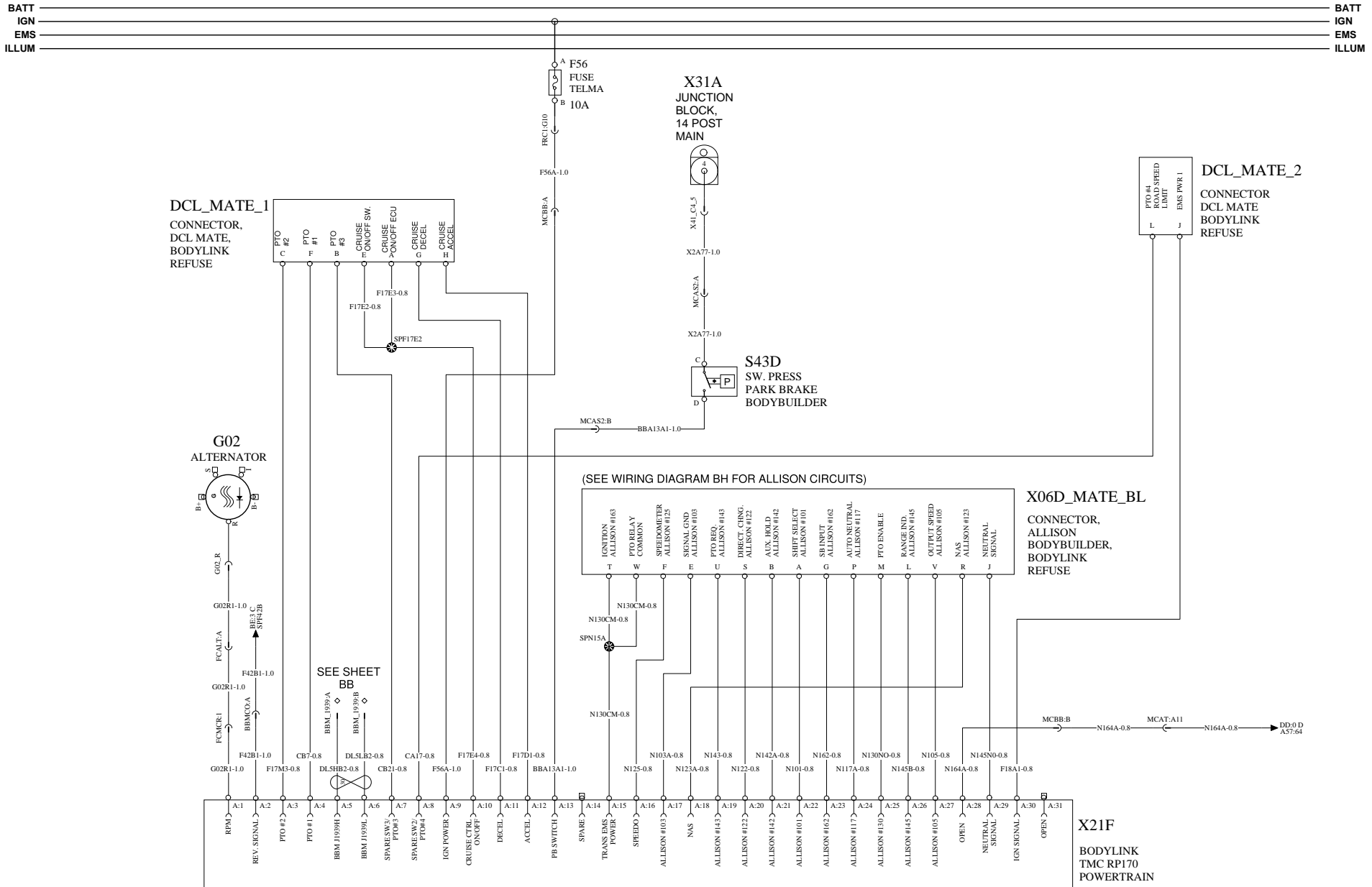
Drawing No.
23353115

Issue
01

Page
20 (70)

TMC RP170 BODYBUILDER PACKAGE 1 / 2 (BBM-PK17)

WIRING DIAGRAM: BP



MACK

Mack Trucks Inc.

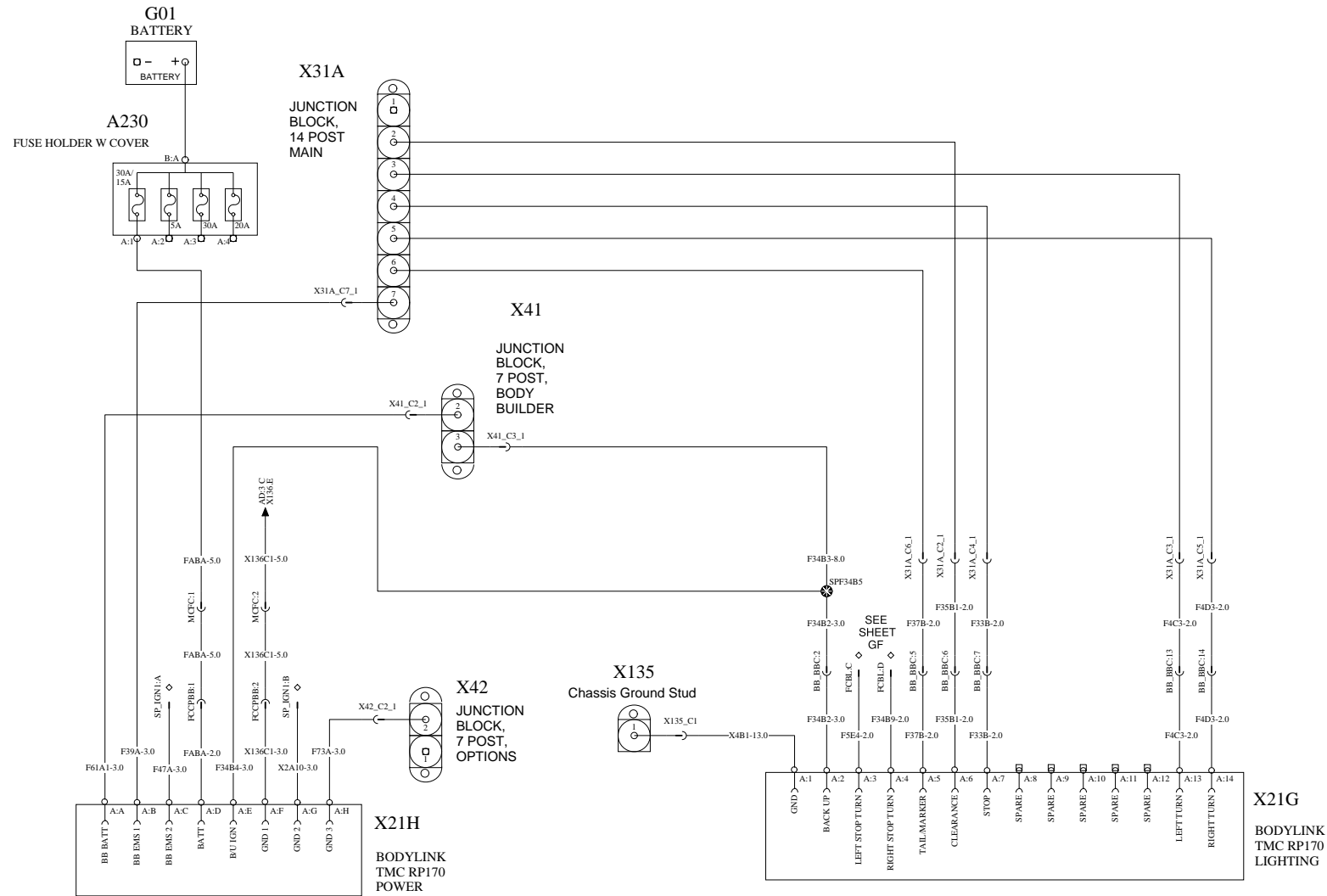
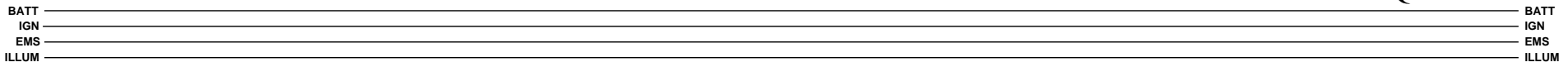
Document title
WIRING DIAGRAM - TYPE-OM W/ CE OPTIONS

Document type
PRODUCT SCHEMATIC

Drawing No.
23353115

Issue
01

Page
21 (70)

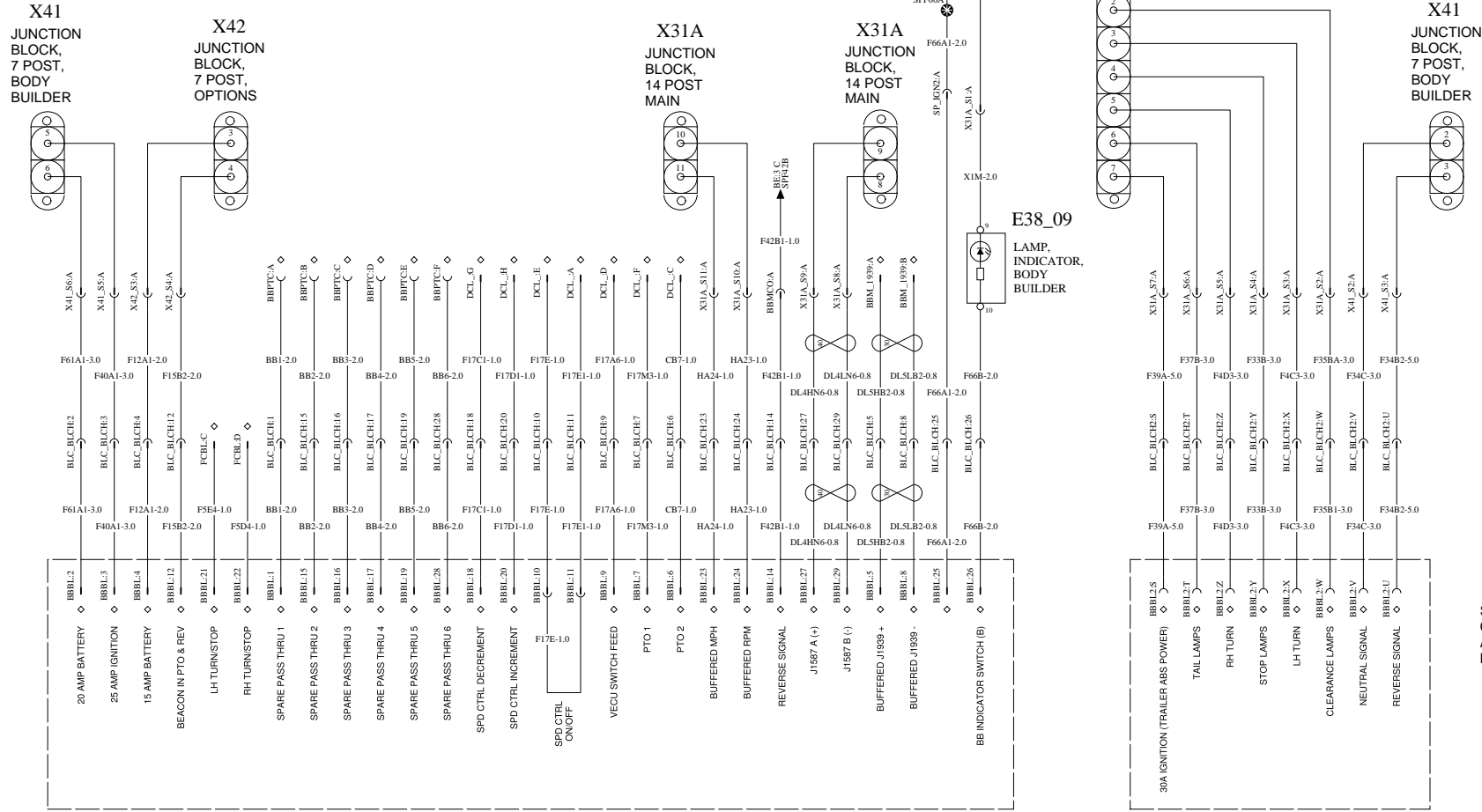


BODYBUILDER CIRCUITS (L3X-BAX)

WIRING DIAGRAM: BR-O

BATT
IGN
EMS
ILLUM

BATT
IGN
EMS
ILLUM



MACK

Mack Trucks Inc.

Document title
WIRING DIAGRAM - TYPE-OM W/ CE OPTIONS

Document type
PRODUCT SCHEMATIC

Drawing No.
23353115

Issue
01

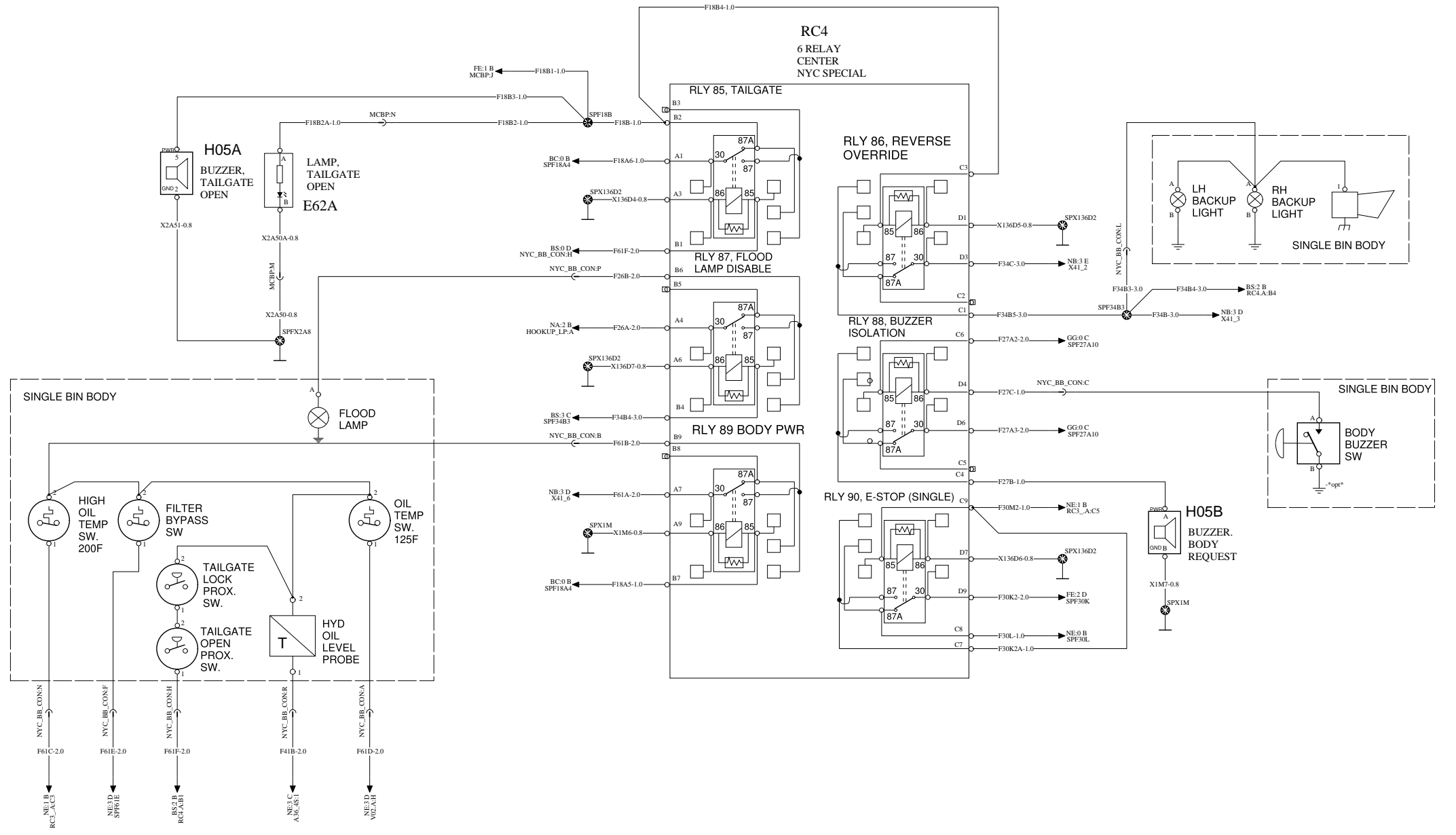
Page
23 (70)

NYC SINGLE BIN TAILGATE CONTROLS (BBM-PK7)

WIRING DIAGRAM: BS-NYC

BATT
IGN
EMS
ILLUM

BATT
IGN
EMS
ILLUM



MACK

Mack Trucks Inc.

Document title
WIRING DIAGRAM - TYPE-OM W/ CE OPTIONS

Document type
PRODUCT SCHEMATIC

Drawing No.
23353115

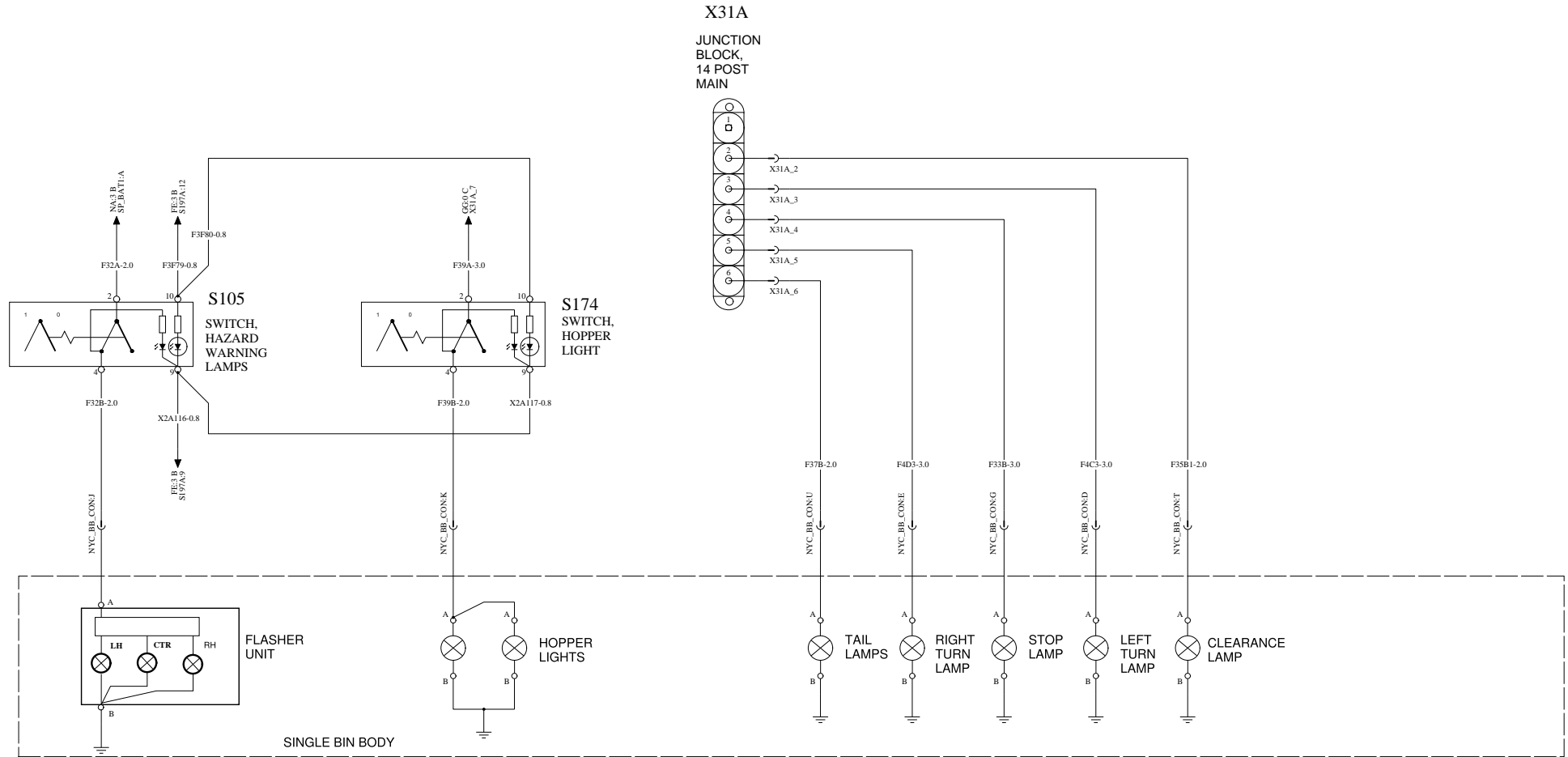
Issue
01

Page
24 (70)

NYC SINGLE BIN BODY LIGHTS (BBM-PK7)

WIRING DIAGRAM: BT-NYC

BATT _____ BATT
 IGN _____ IGN
 EMS _____ EMS
 ILLUM _____ ILLUM



MACK

Mack Trucks Inc.

Document title
 WIRING DIAGRAM - TYPE-OM W/ CE OPTIONS
 Document type
 PRODUCT SCHEMATIC

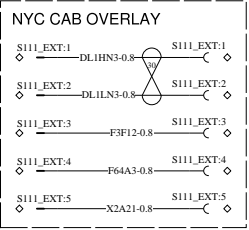
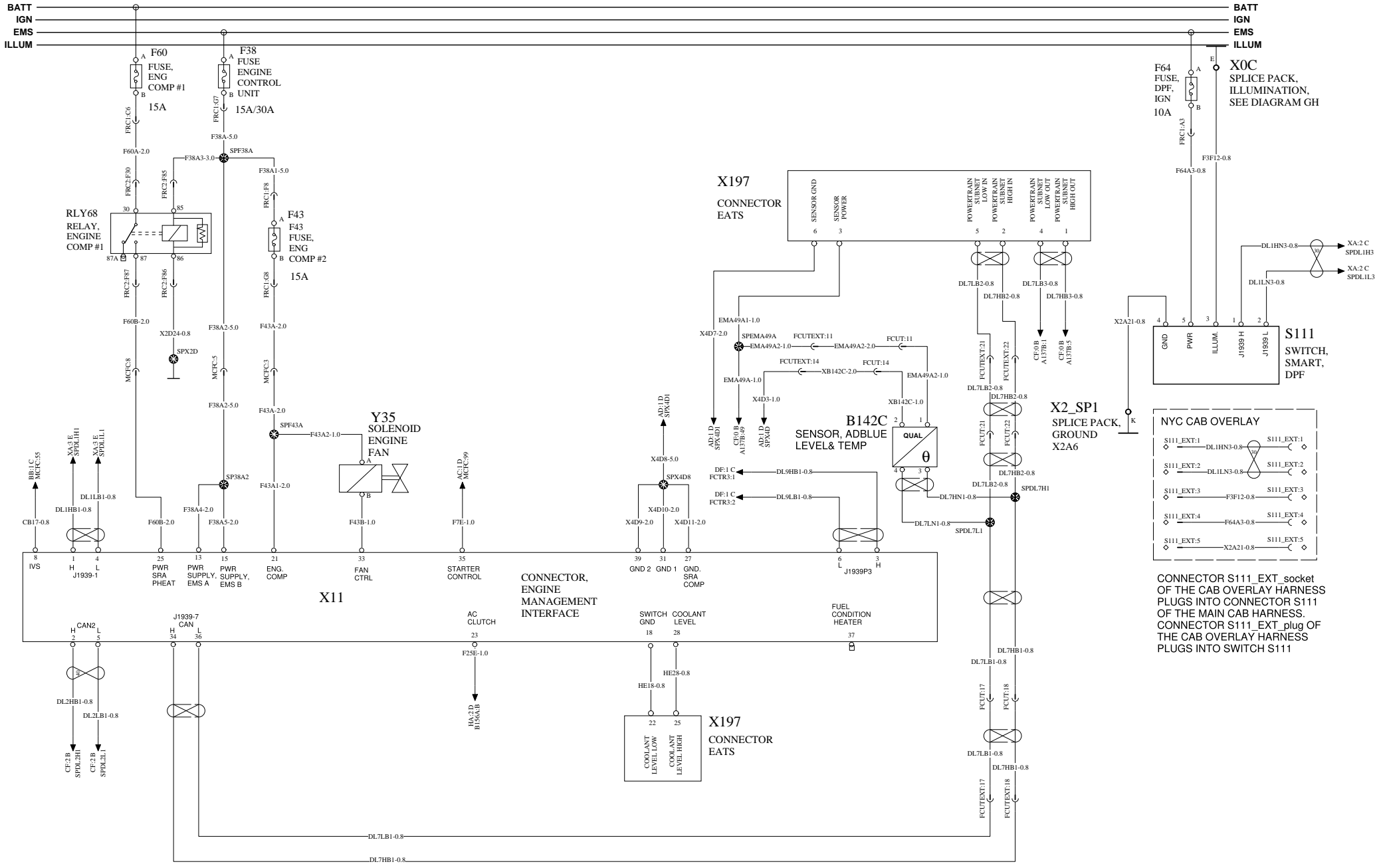
Drawing No.
 23353115

Issue
 01

Page
 25 (70)

ENGINE INTERFACE MP7 & MP8 W/ DPF SWITCH RELOCATED TO C PANEL

WIRING DIAGRAM: CA-NYC



0

1

2

3

4

ENGINE/FUEL HEATER

WIRING DIAGRAM: CC

BATT
IGN
EMS
ILLUM

BATT
IGN
EMS
ILLUM

A

A

B

B

C

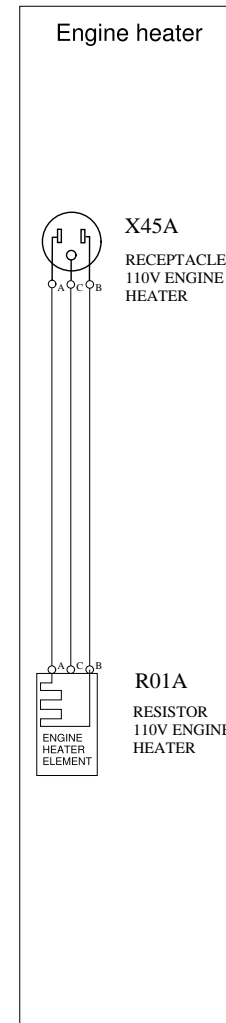
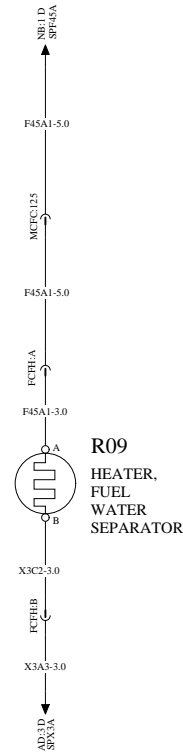
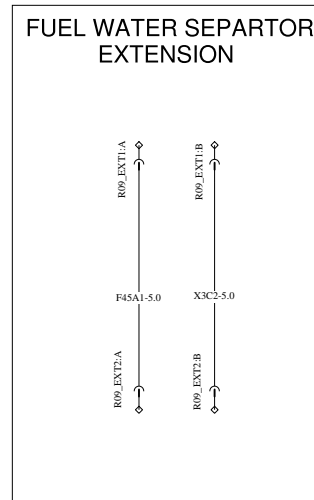
C

D

D

E

E



MACK

Mack Trucks Inc.

Document title
WIRING DIAGRAM - TYPE-OM W/ CE OPTIONS

Document type
PRODUCT SCHEMATIC

Drawing No.
23353115

Issue
01

Page
27 (70)

0

1

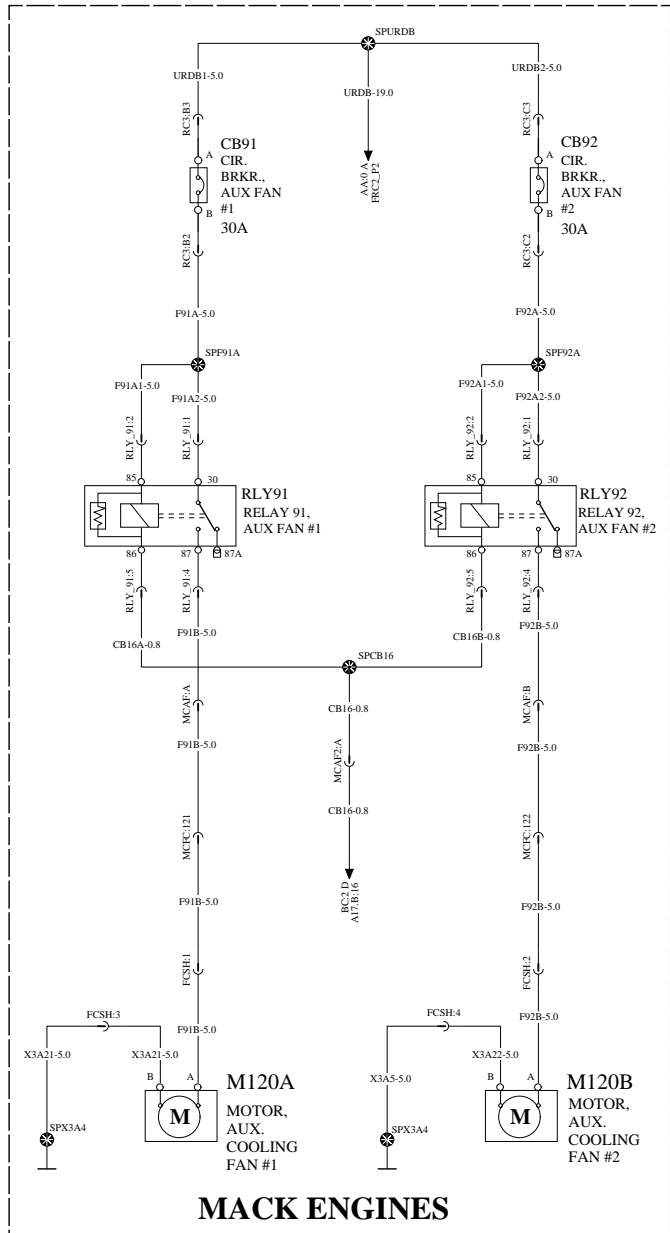
2

3

4

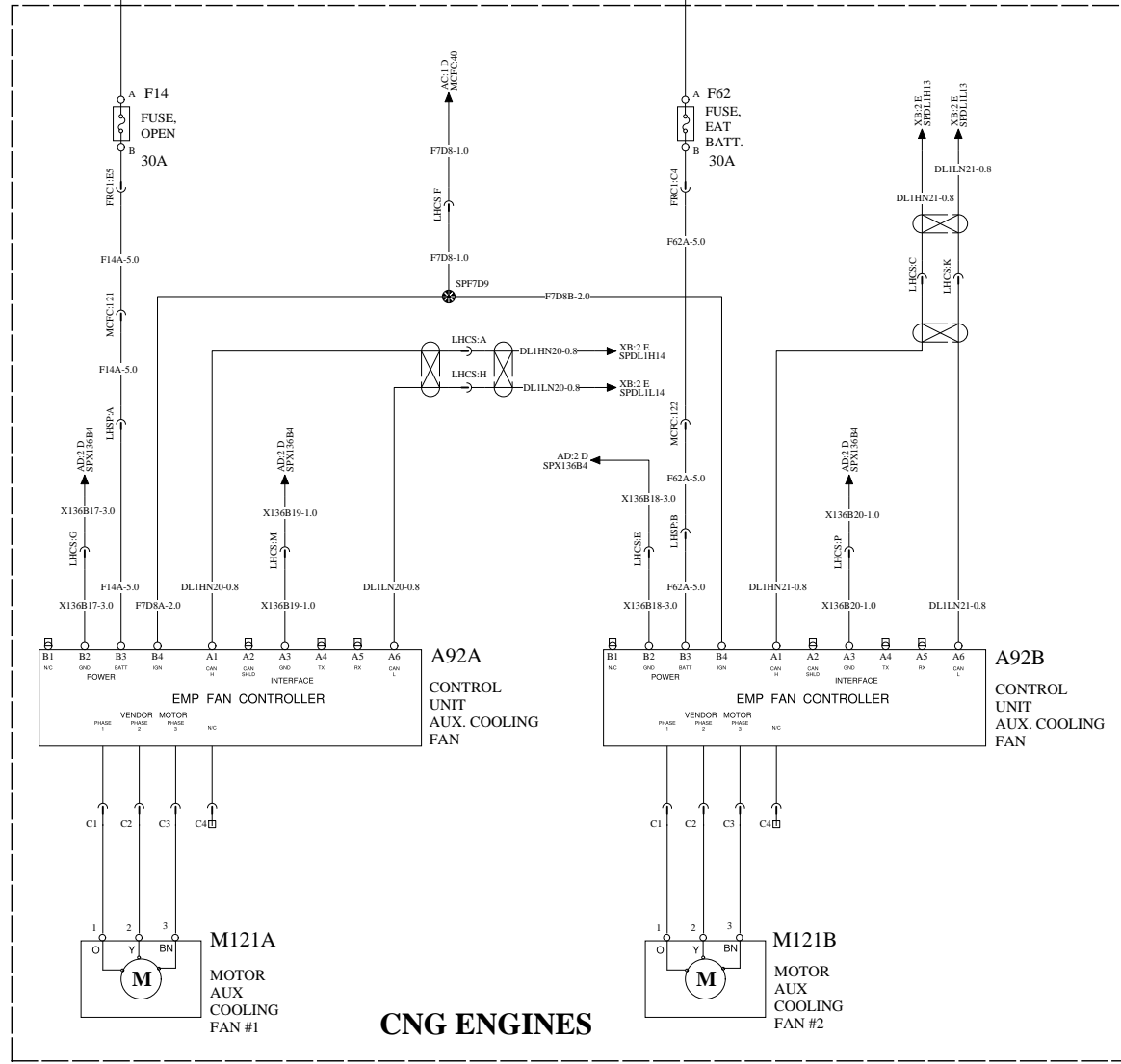
AUXILIARY COOLING FANS

BATT
IGN
EMS
ILLUM



WIRING DIAGRAM: CD

BATT
IGN
EMS
ILLUM



MACK

Mack Trucks Inc.

Document title
WIRING DIAGRAM - TYPE-OM W/ CE OPTIONS

Document type
PRODUCT SCHEMATIC

Drawing No.
23353115

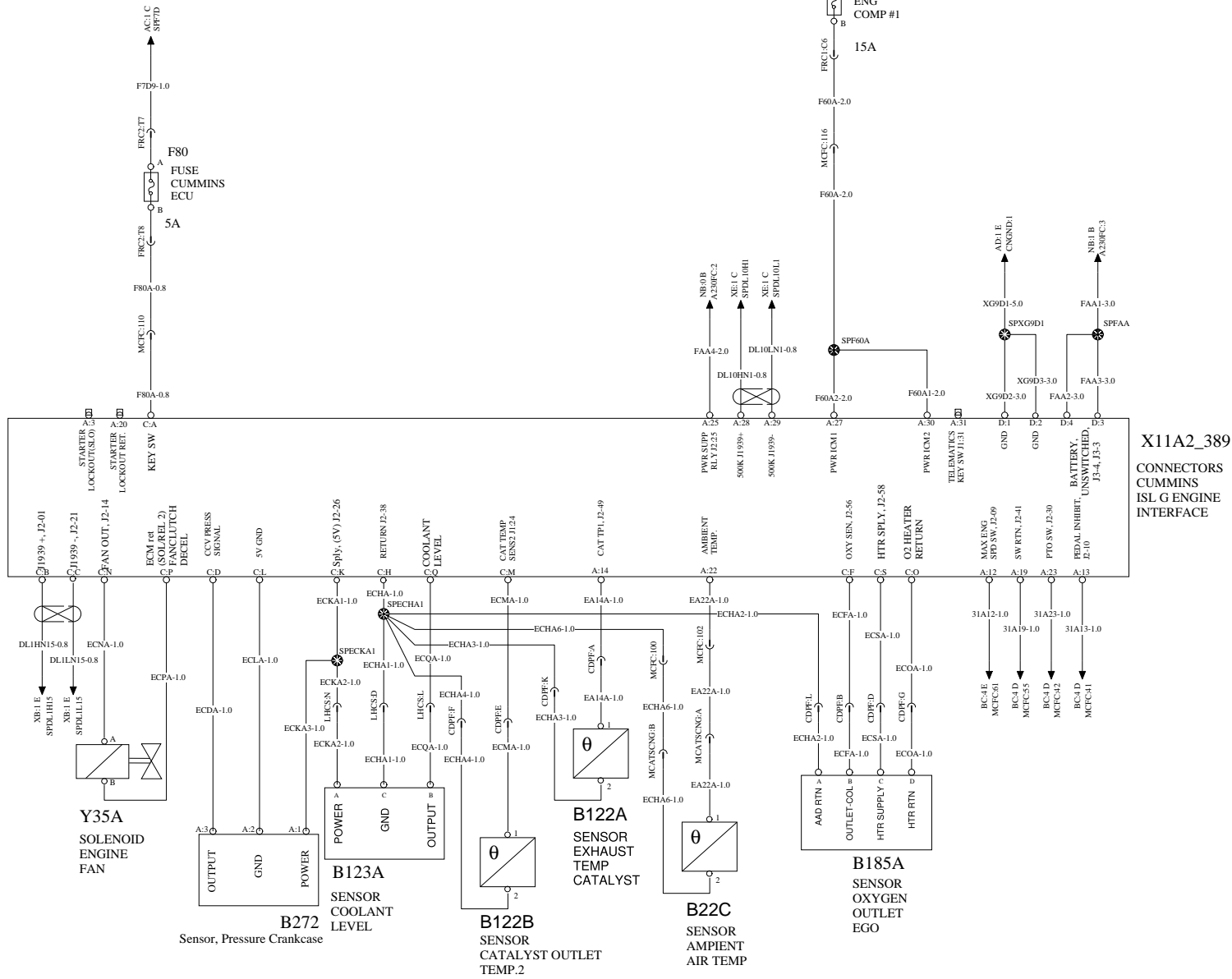
Issue
01

Page
28 (70)

ENGINE INTERFACE CUMMINS ISL-G

WIRING DIAGRAM: CE

BATT
IGN
EMS
ILLUM



X11A2_389
CONNECTORS
CUMMINS
ISL G ENGINE
INTERFACE

MACK

Mack Trucks Inc.

Document title
WIRING DIAGRAM - TYPE-OM W/ CE OPTIONS

Document type
PRODUCT SCHEMATIC

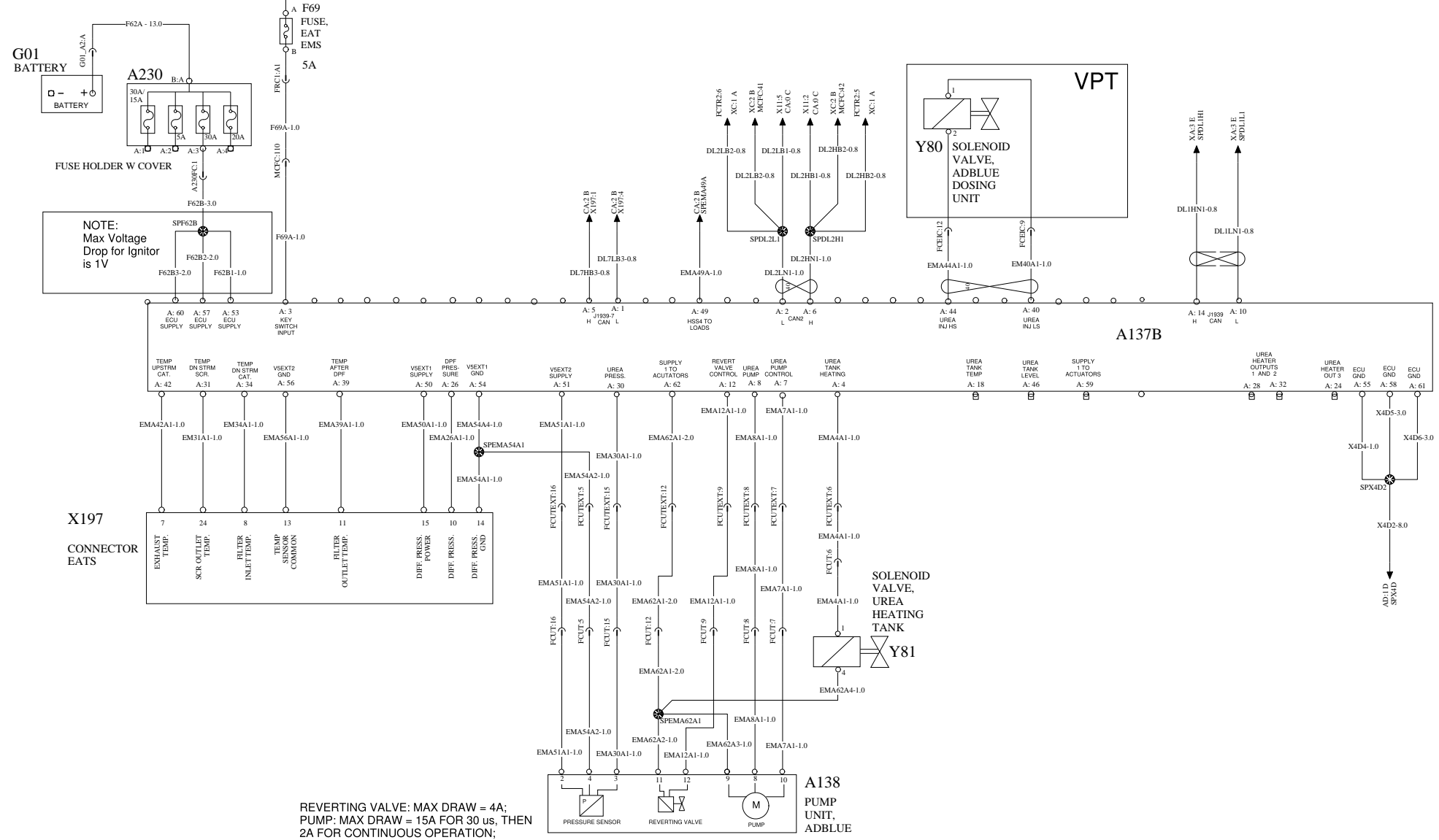
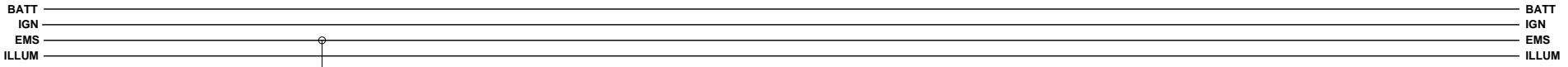
Drawing No.
23353115

Issue
01

Page
29 (70)

UREA DOSING SYSTEM

WIRING DIAGRAM: CF

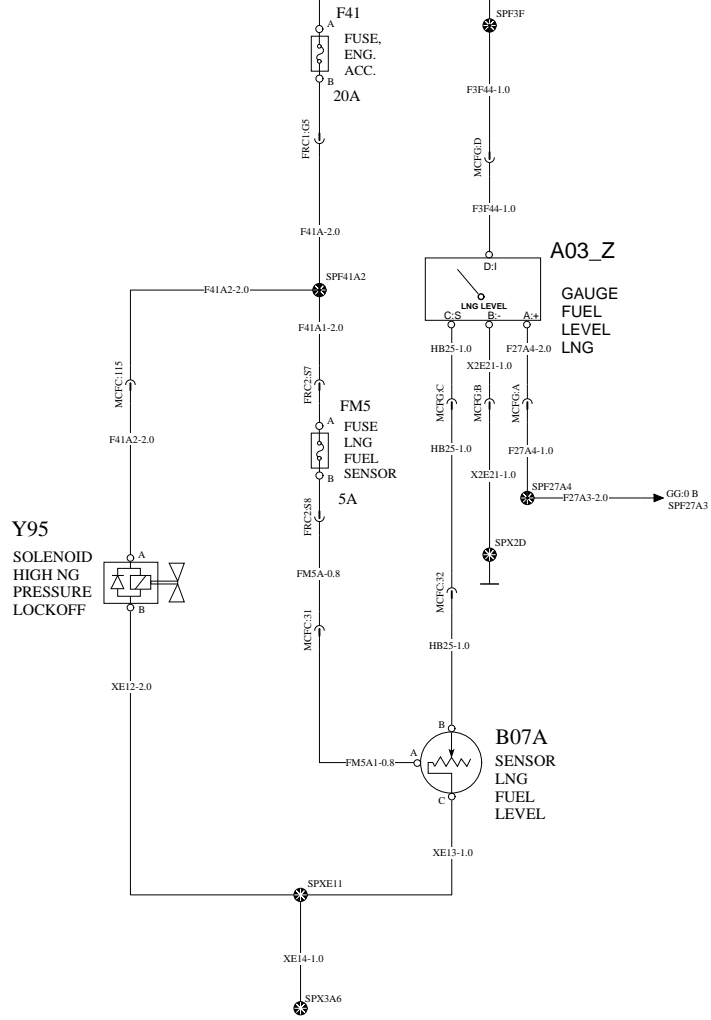


CNG FUEL LEVEL

WIRING DIAGRAM: CG

BATT
IGN
EMS
ILLUM

BATT
IGN
EMS
ILLUM



MACK

Mack Trucks Inc.

Document title
WIRING DIAGRAM - TYPE-OM W/ CE OPTIONS

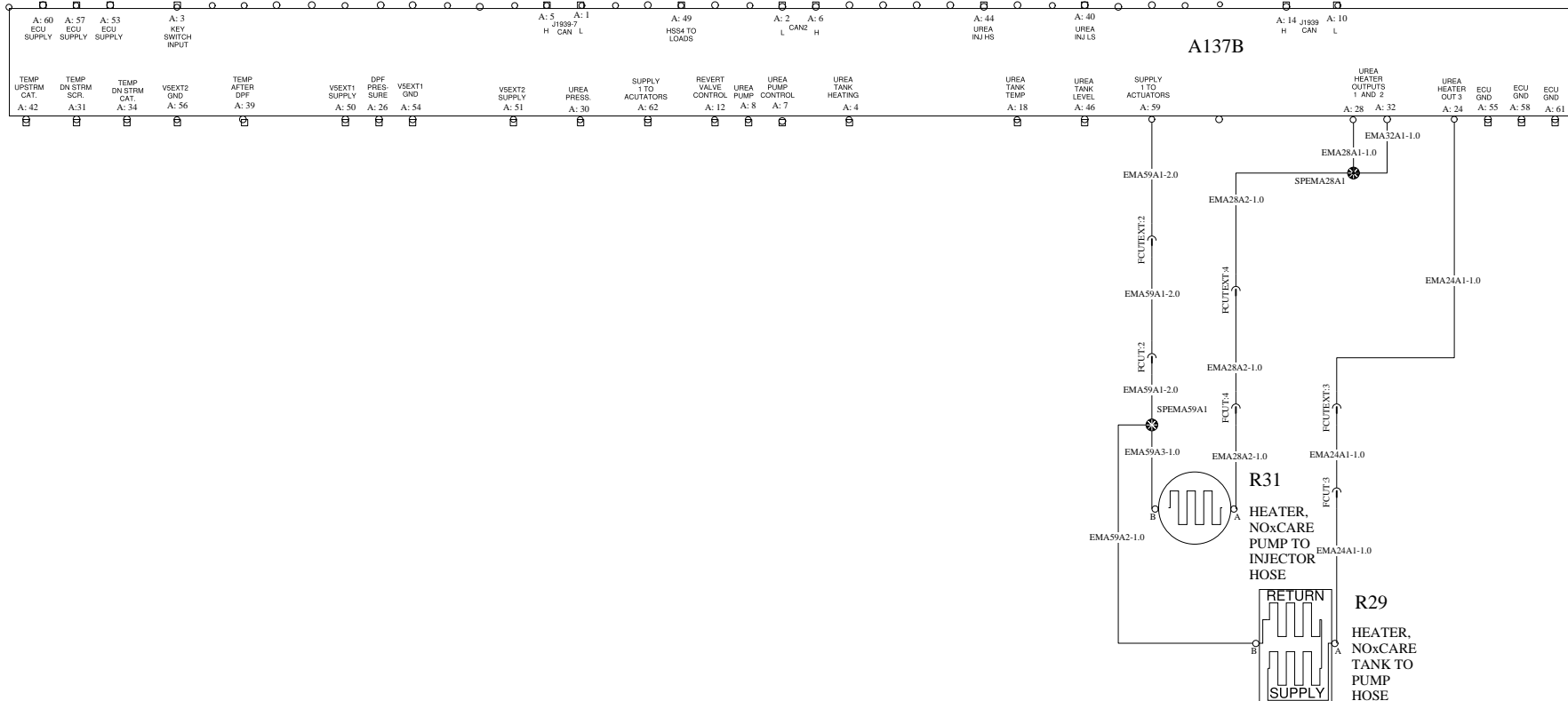
Document type
PRODUCT SCHEMATIC

Drawing No.
23353115

Issue
01

Page
31 (70)

BATT _____ BATT
 IGN _____ IGN
 EMS _____ EMS
 ILLUM _____ ILLUM

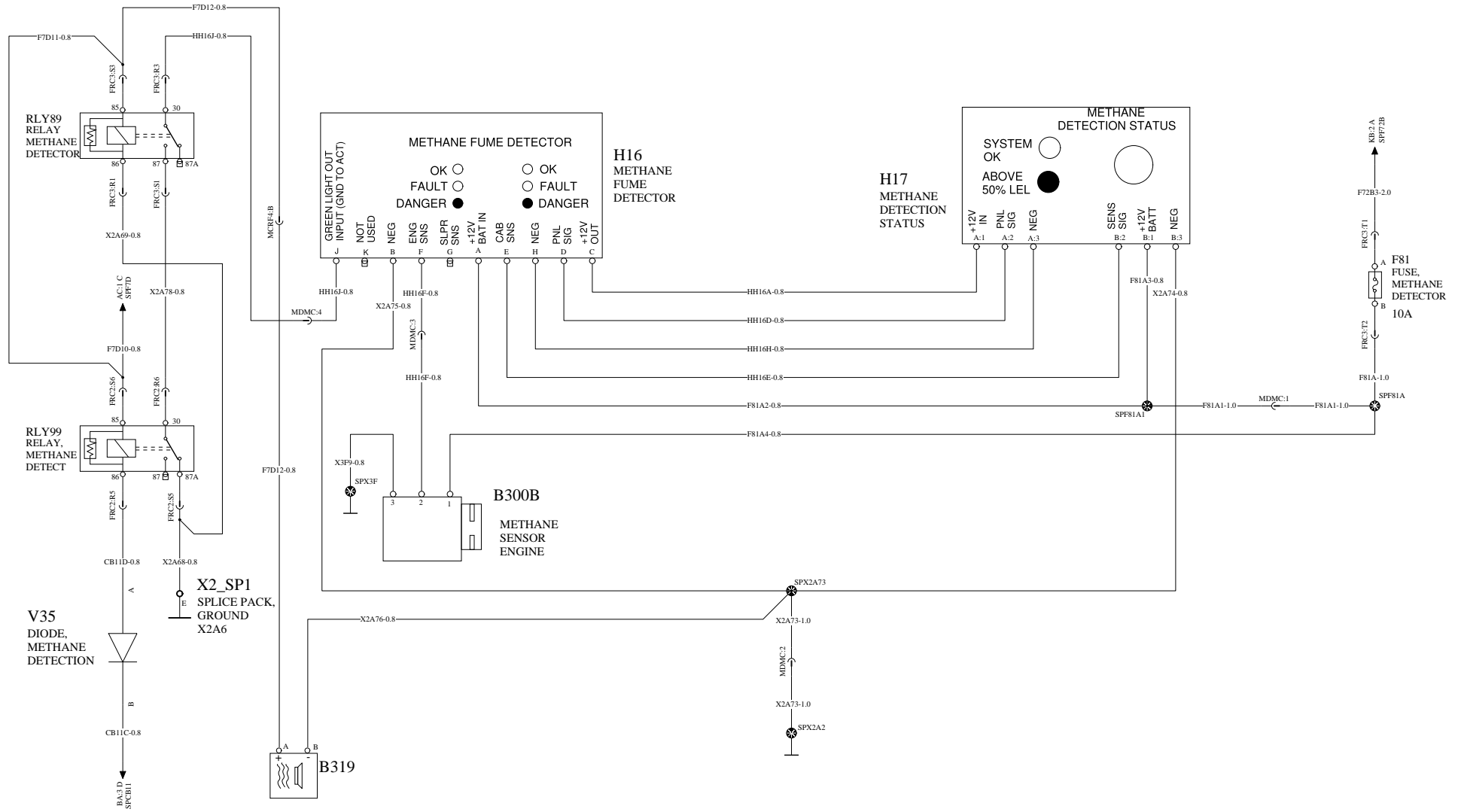


METHANE DETECTION SYSTEM

WIRING DIAGRAM: CK

BATT
IGN
EMS
ILLUM

BATT
IGN
EMS
ILLUM



MACK

Mack Trucks Inc.

Document title
 WIRING DIAGRAM - TYPE-OM W/ CE OPTIONS

Document type
 PRODUCT SCHEMATIC

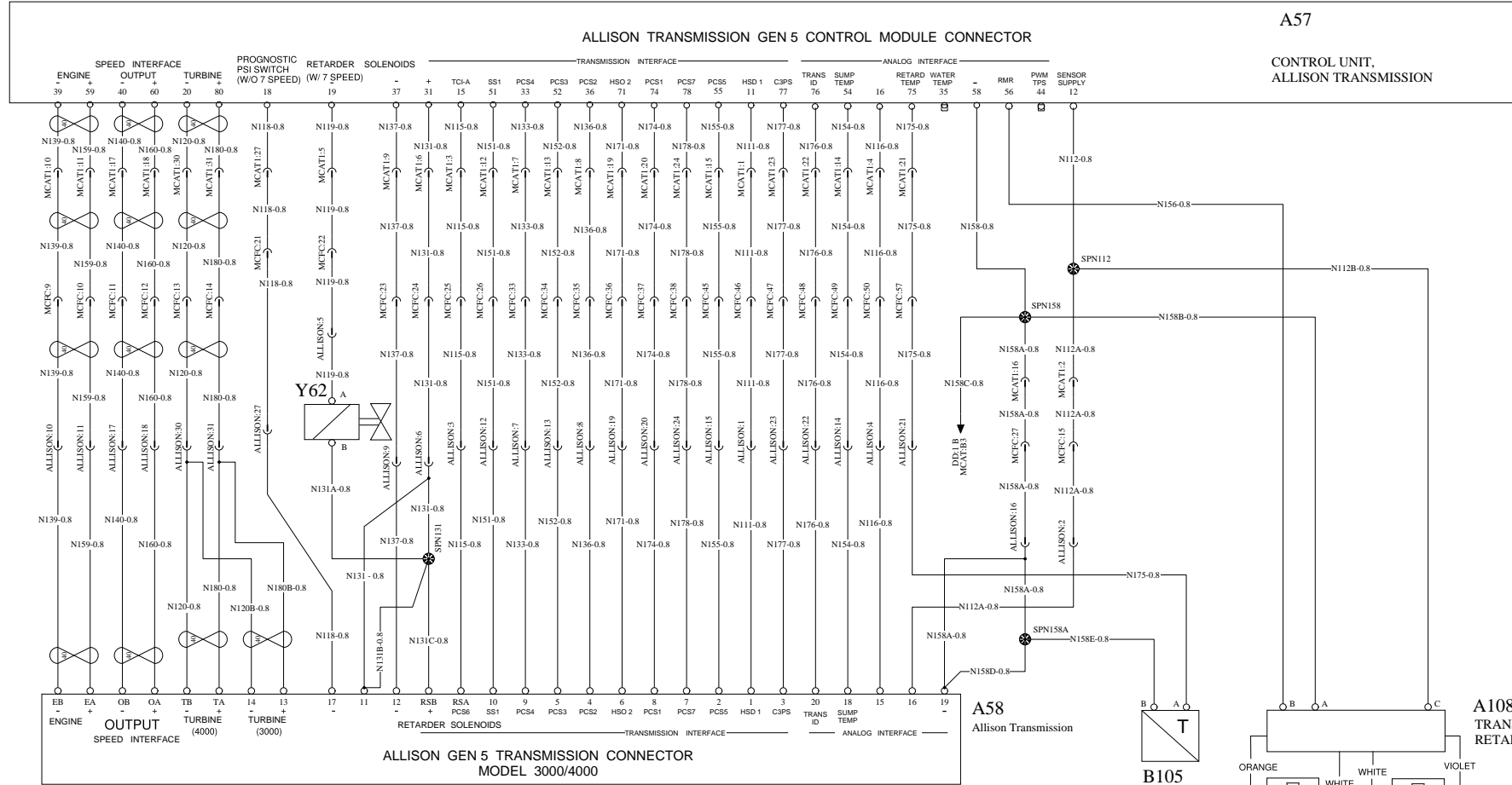
Drawing No.
 23353115

Issue
 01

Page
 33 (70)

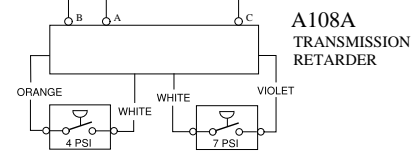
BATT
IGN
EMS
ILLUM

BATT
IGN
EMS
ILLUM



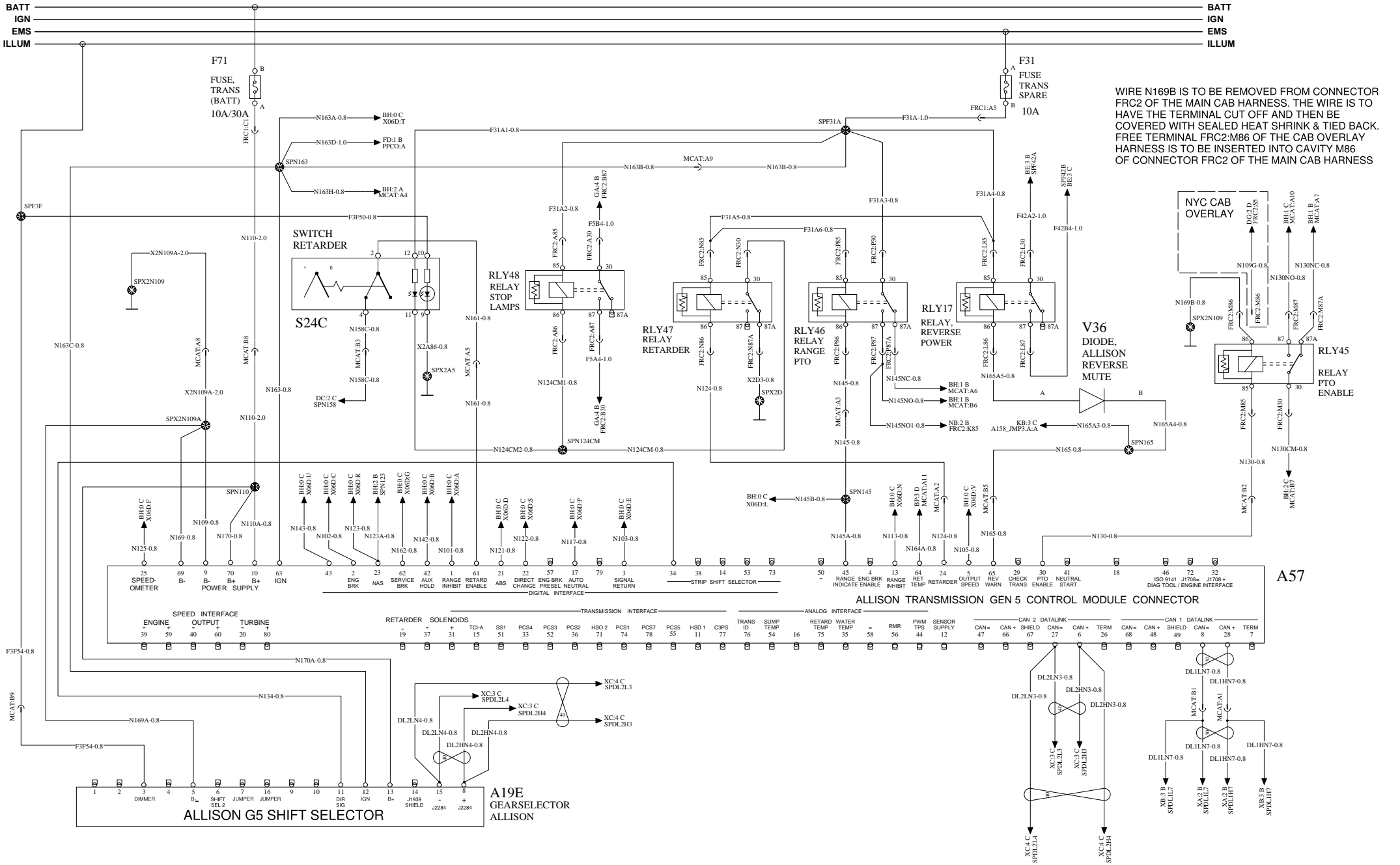
A57
CONTROL UNIT,
ALLISON TRANSMISSION

ALLISON GEN 5 TRANSMISSION CONNECTOR
MODEL 3000/4000



TRANSMISSION CONTROL 5TH GENERATION 2 / 3

WIRING DIAGRAM: DD-NYC



WIRE N169B IS TO BE REMOVED FROM CONNECTOR FRC2 OF THE MAIN CAB HARNESS. THE WIRE IS TO HAVE THE TERMINAL CUT OFF AND THEN BE COVERED WITH SEALED HEAT SHRINK & TIED BACK. FREE TERMINAL FRC2:M86 OF THE CAB OVERLAY HARNESS IS TO BE INSERTED INTO CAVITY M86 OF CONNECTOR FRC2 OF THE MAIN CAB HARNESS



Mack Trucks Inc.

Document title
WIRING DIAGRAM - TYPE-OM W/ CE OPTIONS

Document type
PRODUCT SCHEMATIC

Drawing No.
23353115

Issue
01

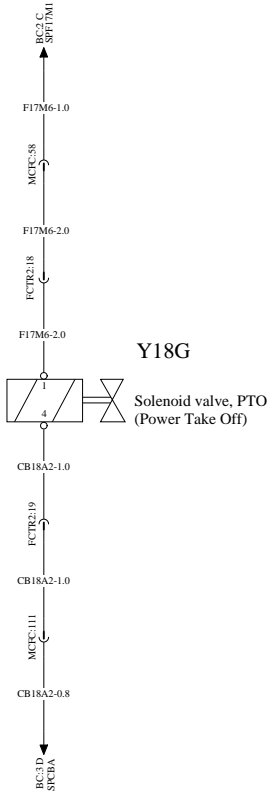
Page
35 (70)

TRANSMISSION CONTROL M-DRIVE 1 / 2

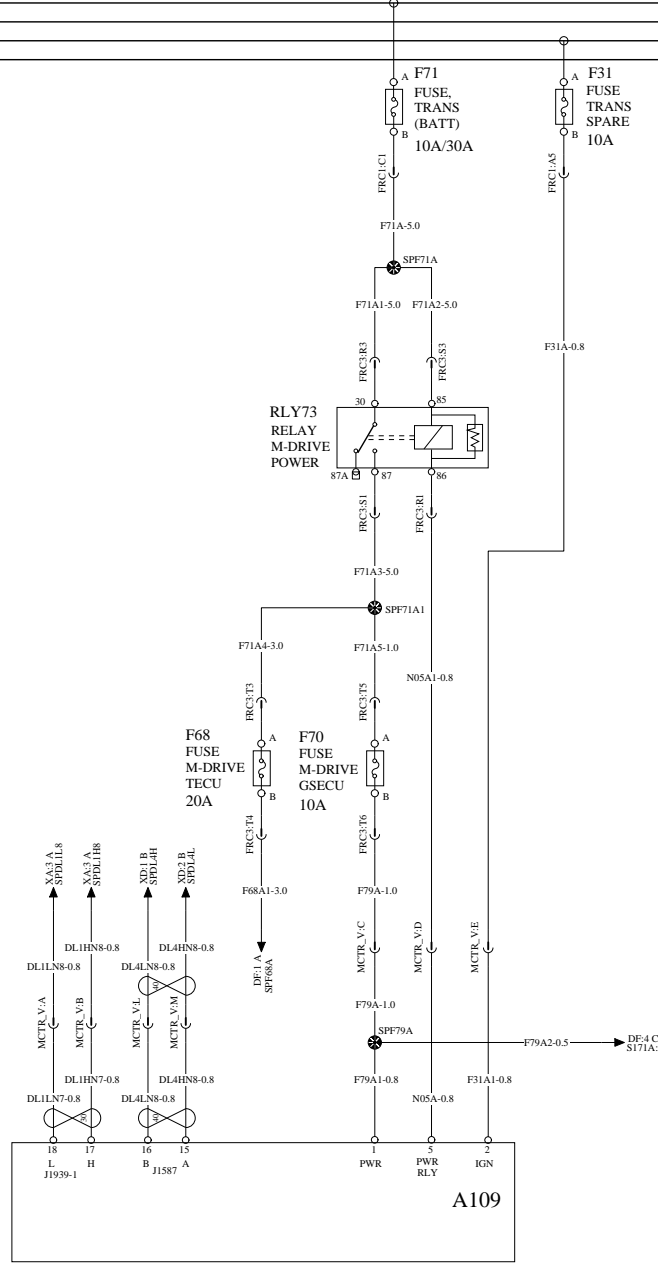
WIRING DIAGRAM: DE

BATT
IGN
EMS
ILLUM

BATT
IGN
EMS
ILLUM



Y18G
Solenoid valve, PTO
(Power Take Off)



MACK

Mack Trucks Inc.

Document title
WIRING DIAGRAM - TYPE-OM W/ CE OPTIONS
Document type
PRODUCT SCHEMATIC

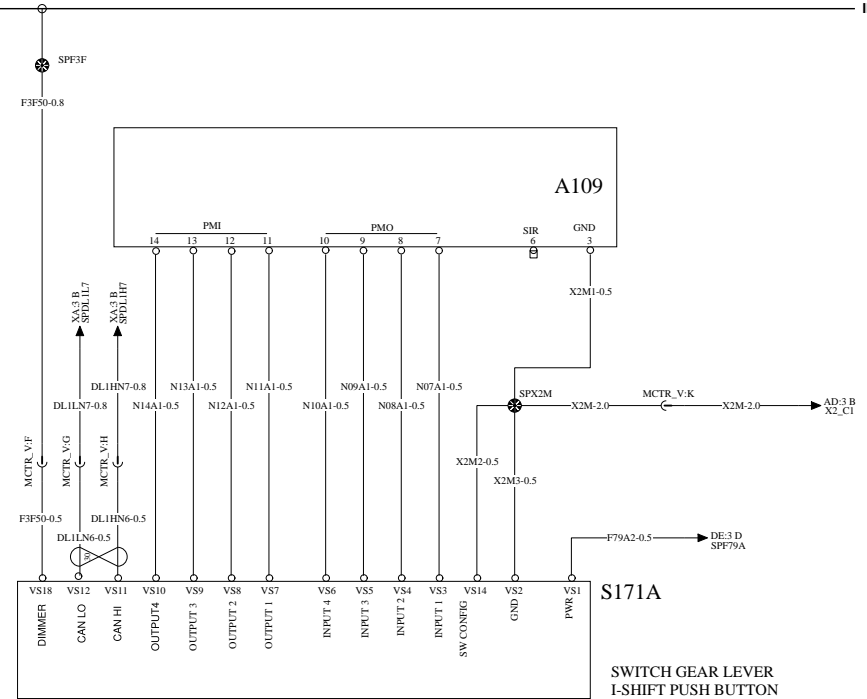
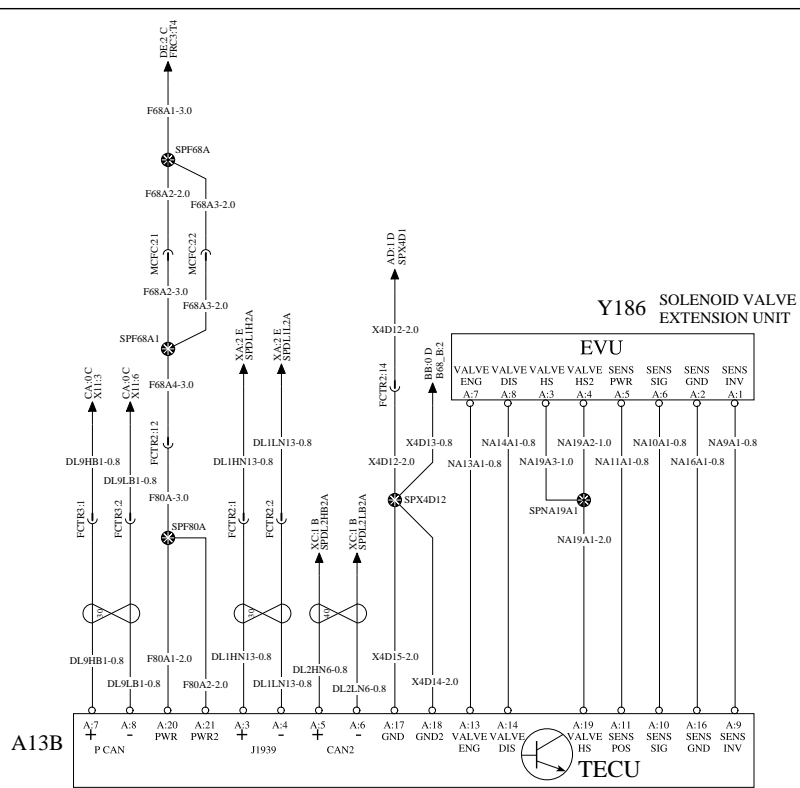
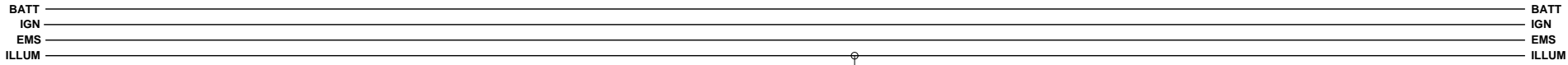
Drawing No.
23353115

Issue
01

Page
36 (70)

TRANSMISSION CONTROL M-DRIVE 2 / 2

WIRING DIAGRAM: DF



MACK

Mack Trucks Inc.

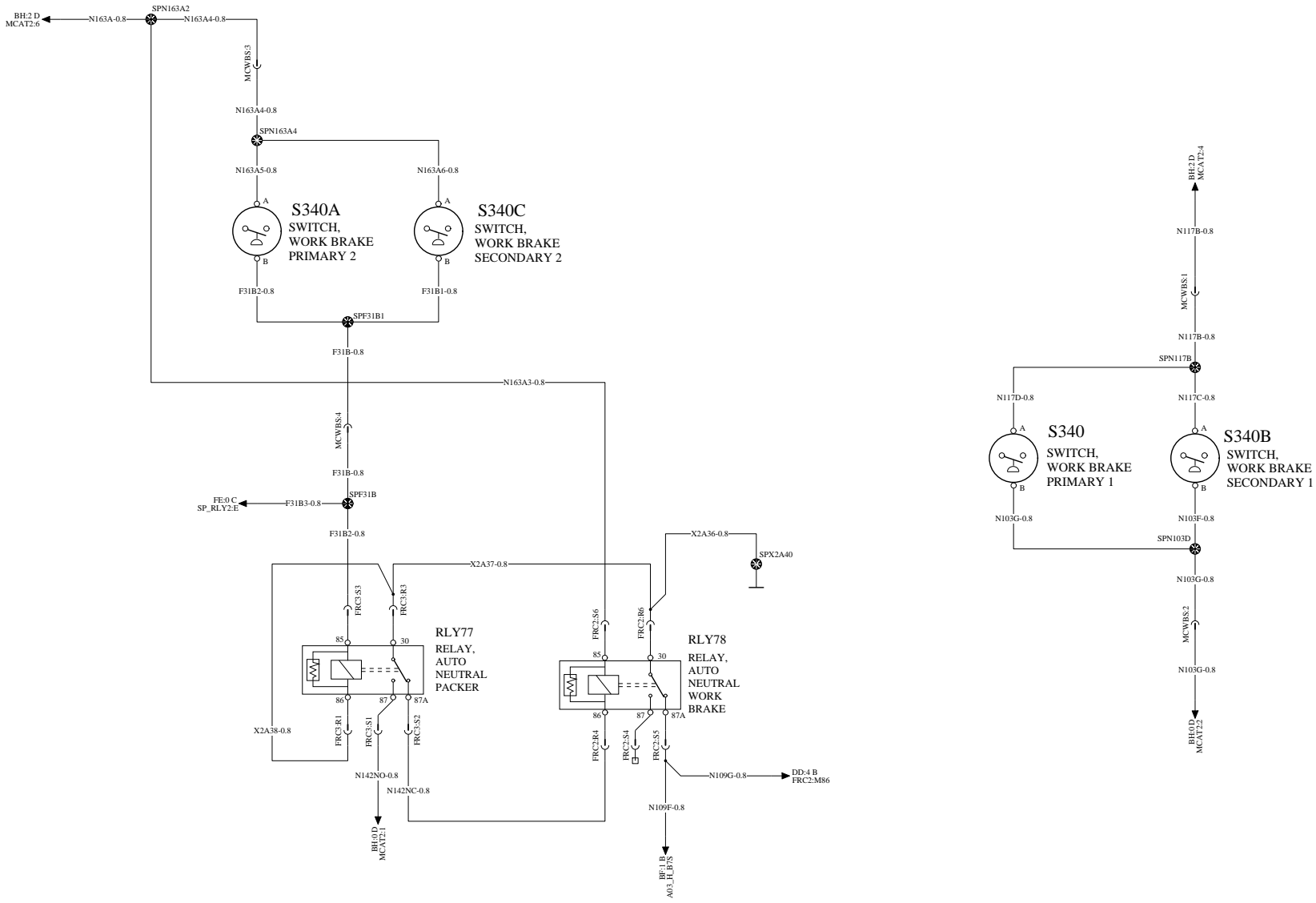
Document title
WIRING DIAGRAM - TYPE-OM W/ CE OPTIONS
Document type
PRODUCT SCHEMATIC

Drawing No.
23353115

Issue
01
Page
37 (70)

BATT
IGN
EMS
ILLUM

BATT
IGN
EMS
ILLUM



MACK

Mack Trucks Inc.

Document title
WIRING DIAGRAM - TYPE-OM W/ CE OPTIONS

Document type
PRODUCT SCHEMATIC

Drawing No.
23353115

Issue
01

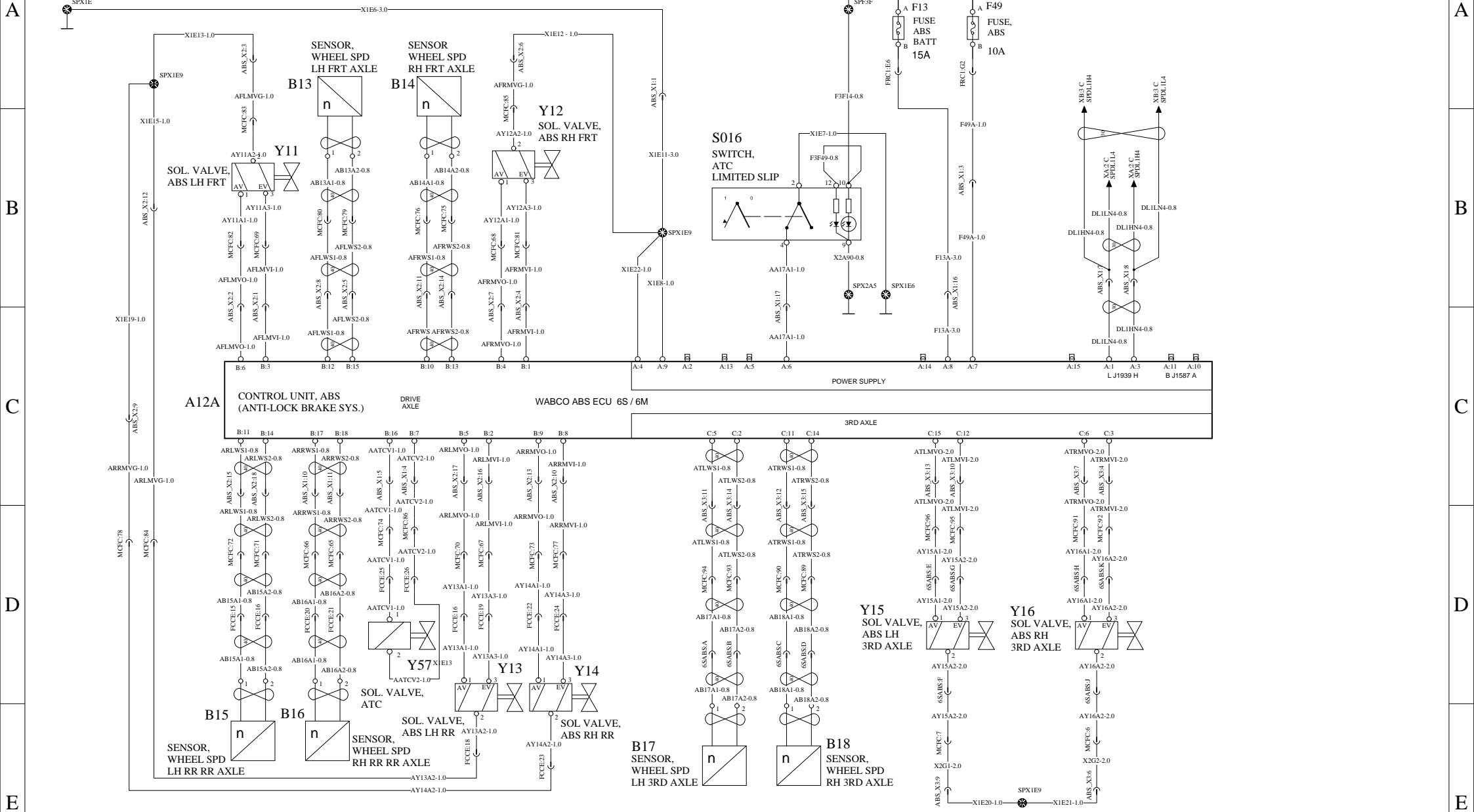
Page
38 (70)

ABS MERITOR

WIRING DIAGRAM: EA

BATT
IGN
EMS
ILLUM

BATT
IGN
EMS
ILLUM



MACK

Mack Trucks Inc.

Document title
WIRING DIAGRAM - TYPE-OM W/ CE OPTIONS

Document type
PRODUCT SCHEMATIC

Drawing No.
23353115

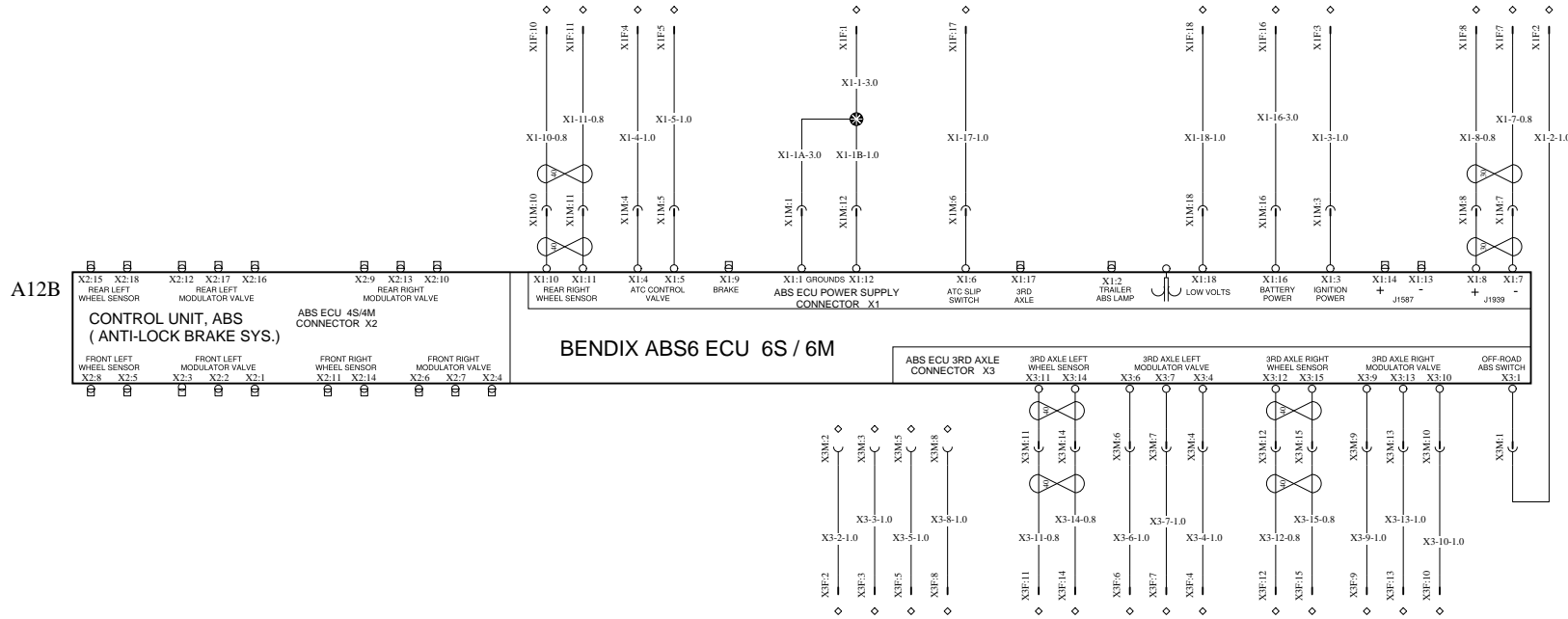
Issue
01

Page
39 (70)

ABS BENDIX (ABS8 TO ABS6)

WIRING DIAGRAM: EB

BATT _____ BATT
 IGN _____ IGN
 EMS _____ EMS
 ILLUM _____ ILLUM



MACK

Mack Trucks Inc.

Document title
 WIRING DIAGRAM - TYPE-OM W/ CE OPTIONS
 Document type
 PRODUCT SCHEMATIC

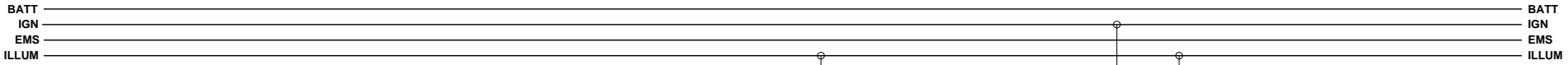
Drawing No.
 23353115

Issue
 01

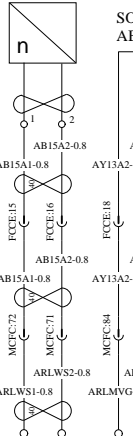
Page
 40 (70)

ABS BENDIX (ABS8)

WIRING DIAGRAM: ED



B15
SENSOR,
WHEEL SPD
LH RR RR AXLE



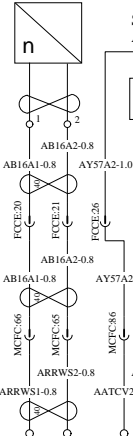
Y13
SOL. VALVE,
ABS LH RR



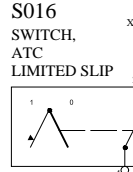
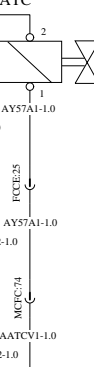
Y14
SOL. VALVE,
ABS RH RR



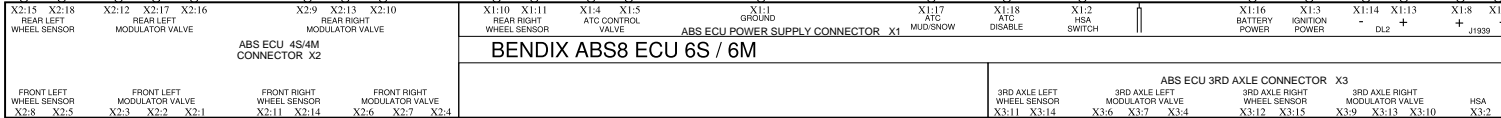
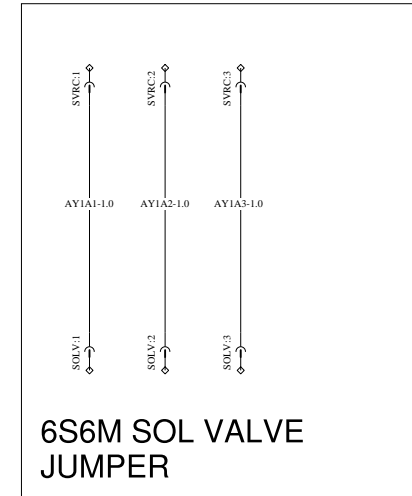
B16
SENSOR,
WHEEL SPD
RH RR RR AXLE



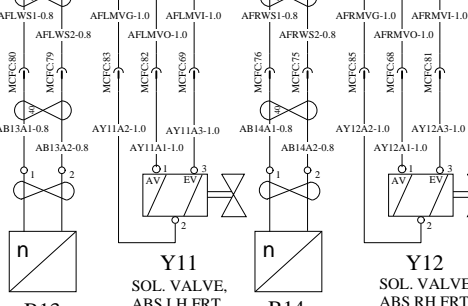
Y57
SOL. VALVE,
ATC



S213
Switch, Hill Assist



A12
Control unit, ABS
(Anti-lock Brake System)

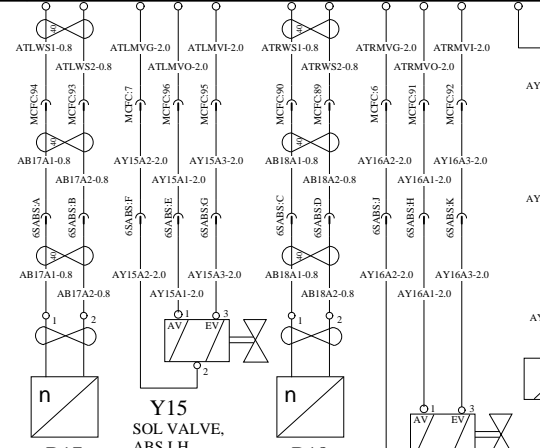


B13
SENSOR,
WHEEL SPD
LH FRT AXLE

Y11
SOL. VALVE,
ABS LH FRT

B14
SENSOR,
WHEEL SPD
RH FRT AXLE

Y12
SOL. VALVE,
ABS RH FRT

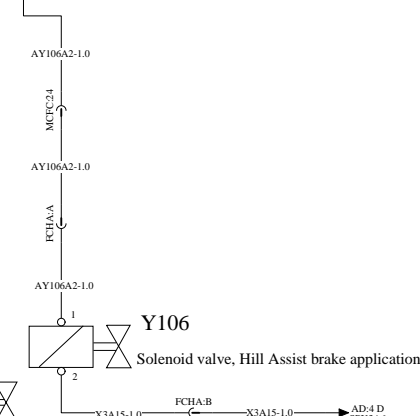


B17
SENSOR,
WHEEL SPD
LH 3RD AXLE

Y15
SOL. VALVE,
ABS LH
3RD AXLE

B18
SENSOR,
WHEEL SPD
RH 3RD AXLE

Y16
SOL. VALVE,
ABS RH
3RD AXLE



VEHICLE DATA LOGGING INTERFACE, 1 EXTRA OBD & 1 TMC RP1226 (P3X-K3X)

WIRING DIAGRAM: EF-NYC

BATT
IGN
EMS
ILLUM

BATT
IGN
EMS
ILLUM

RESISTOR IS TO BE REMOVED FROM CONNECTOR R08 OF THE MAIN CAB HARNESS. CONNECTOR R08.A OF THE CAB OVERLAY HARNESS IS TO BE INSERTED INTO CONNECTOR R08 OF THE MAIN CAB HARNESS. RESISTOR IS THEN TO BE INSERTED INTO CONNECTOR R08_EXT OF THE CAB OVERLAY HARNESS.

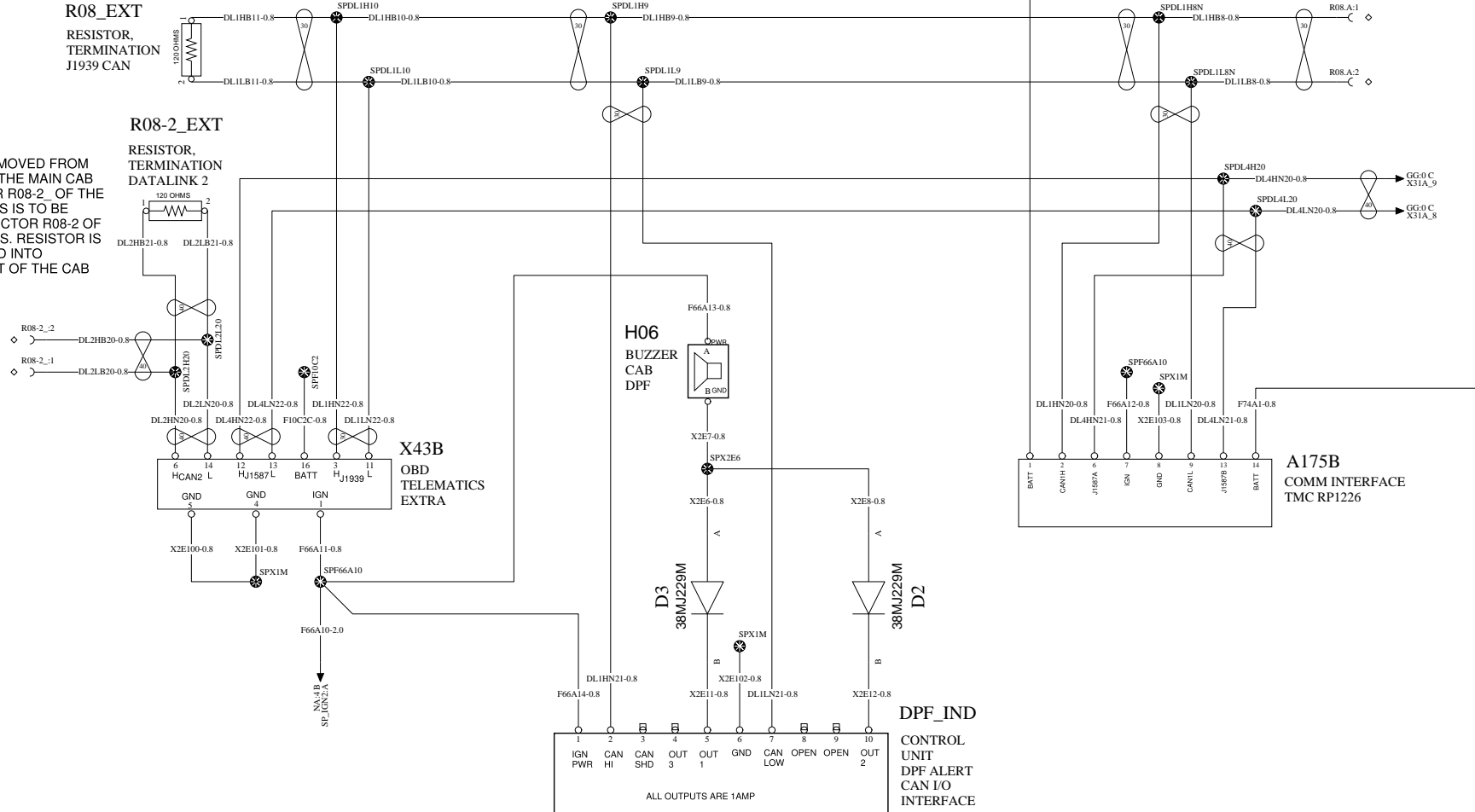
RESISTOR IS TO BE REMOVED FROM CONNECTOR R08 OF THE MAIN CAB HARNESS. CONNECTOR R08.A OF THE CAB OVERLAY HARNESS IS TO BE INSERTED INTO CONNECTOR R08 OF THE MAIN CAB HARNESS. RESISTOR IS THEN TO BE INSERTED INTO CONNECTOR R08_EXT OF THE CAB OVERLAY HARNESS.

R08_EXT
RESISTOR,
TERMINATION
J1939 CAN

R08-2_EXT

RESISTOR,
TERMINATION
DATALINK 2

RESISTOR IS TO BE REMOVED FROM CONNECTOR R08-2 OF THE MAIN CAB HARNESS. CONNECTOR R08-2_OF OF THE CAB OVERLAY HARNESS IS TO BE INSERTED INTO CONNECTOR R08-2 OF THE MAIN CAB HARNESS. RESISTOR IS THEN TO BE INSERTED INTO CONNECTOR R08-2_EXT OF THE CAB OVERLAY HARNESS.



MACK

Mack Trucks Inc.

Document title
WIRING DIAGRAM - TYPE-OM W/ CE OPTIONS

Document type
PRODUCT SCHEMATIC

Drawing No.
23353115

Issue
01

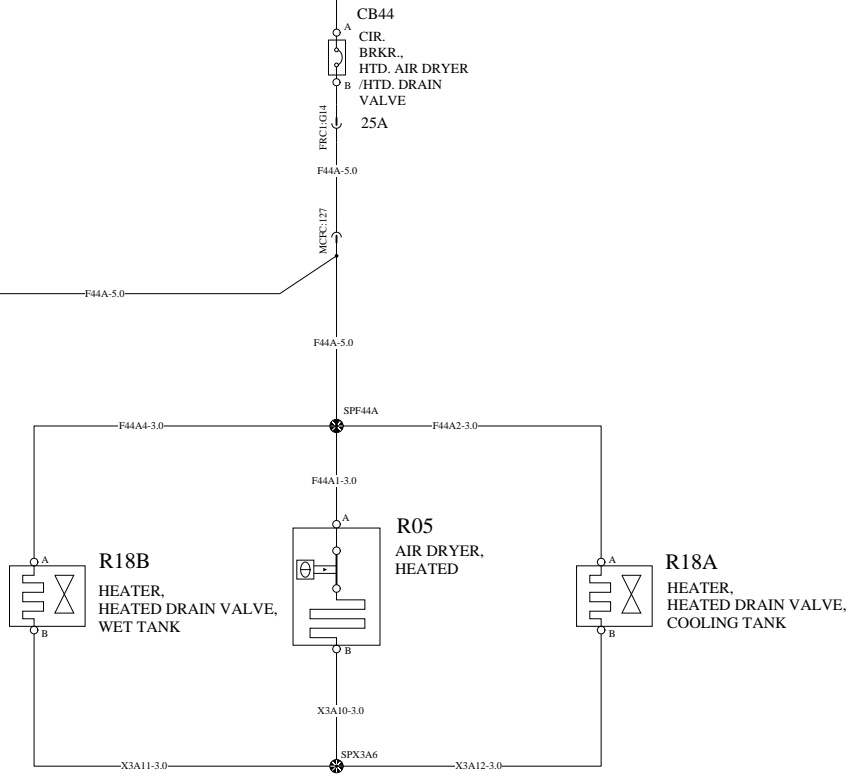
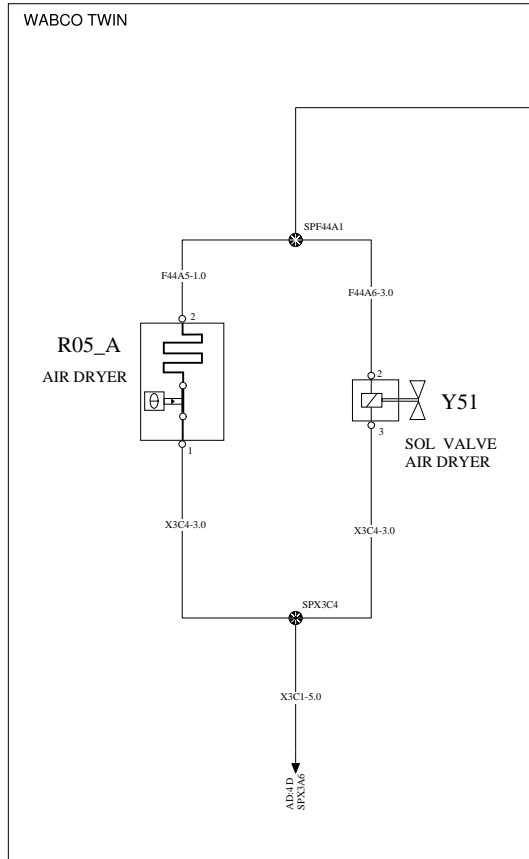
Page
42 (70)

AIR DRYER / HEATED DRAIN

WIRING DIAGRAM: FA

BATT
IGN
EMS
ILLUM

BATT
IGN
EMS
ILLUM



Air Dryer, Cooling Tank Heated Drain Valve,
And Wet Tank Heated Drain Valve

MACK

Mack Trucks Inc.

Document title
WIRING DIAGRAM - TYPE-OM W/ CE OPTIONS

Document type
PRODUCT SCHEMATIC

Drawing No.

23353115

Issue

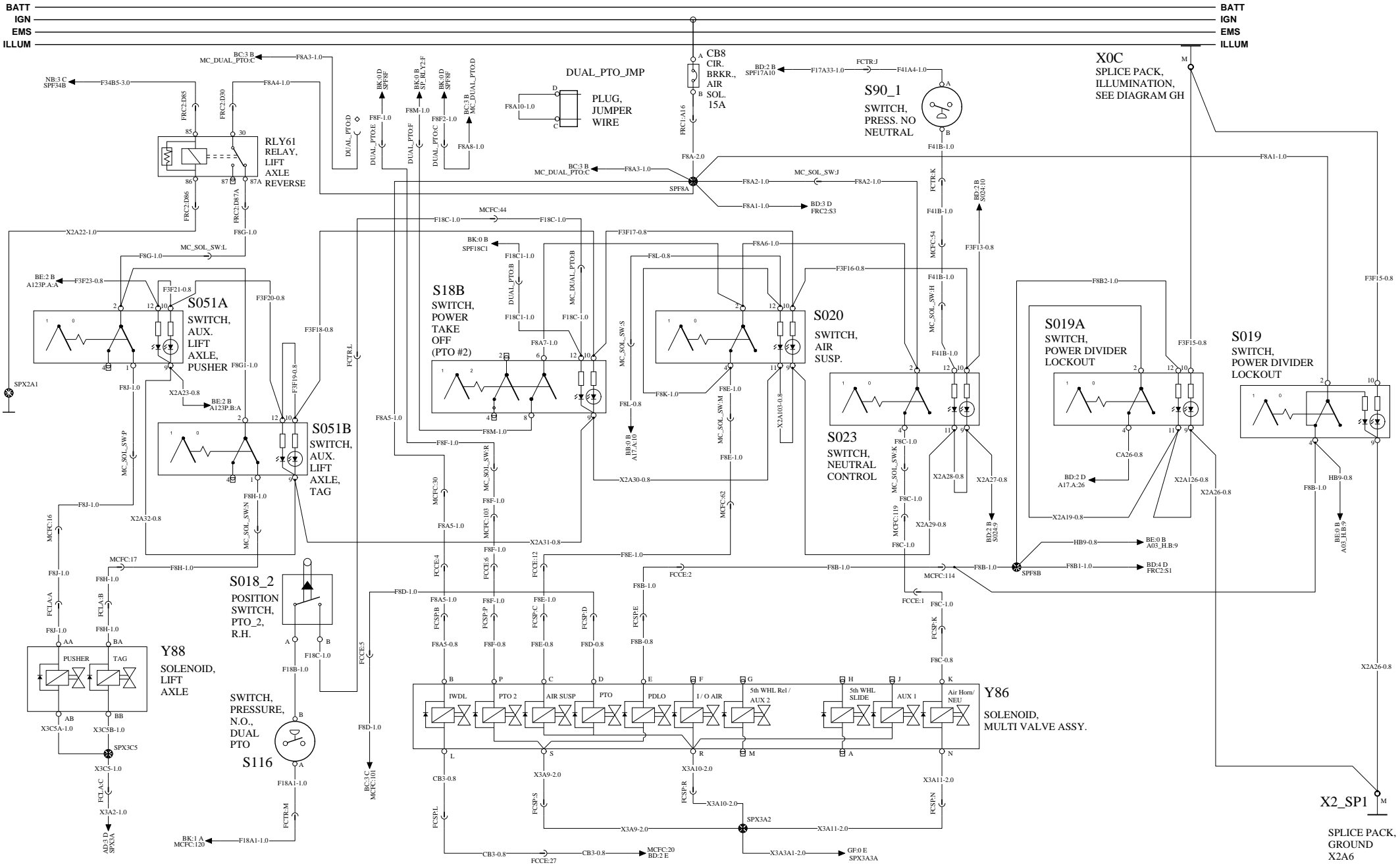
01

Page

43 (70)

CHASSIS SOLENOIDS

WIRING DIAGRAM: FB



MACK

Mack Trucks Inc.

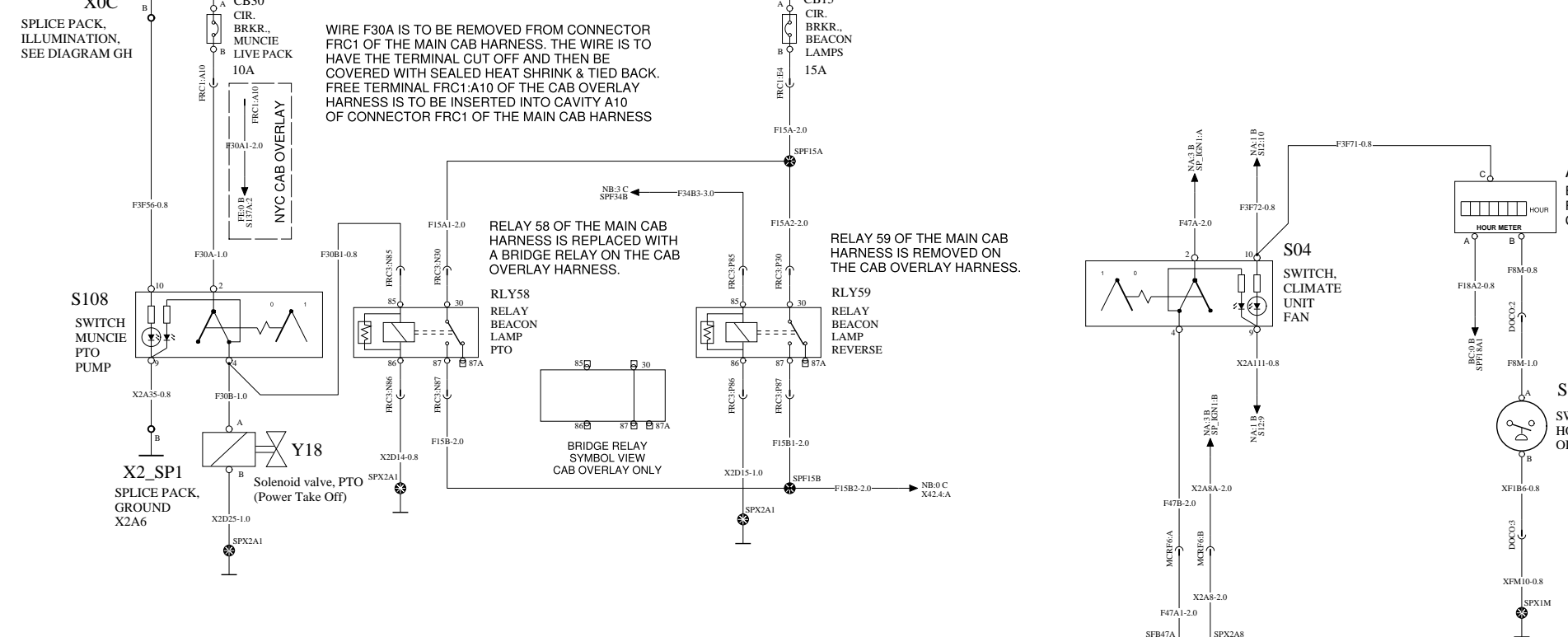
Document title
WIRING DIAGRAM - TYPE-OM W/ CE OPTIONS
 Document type
PRODUCT SCHEMATIC

Drawing No. 23353115	Issue 01	Page 44 (70)
--------------------------------	--------------------	------------------------

MUNCIE PUMP & BEACON LAMPS

WIRING DIAGRAM: FC-NYC

BATT
IGN
EMS
ILLUM



MACK

Mack Trucks Inc.

Document title
WIRING DIAGRAM - TYPE-OM W/ CE OPTIONS

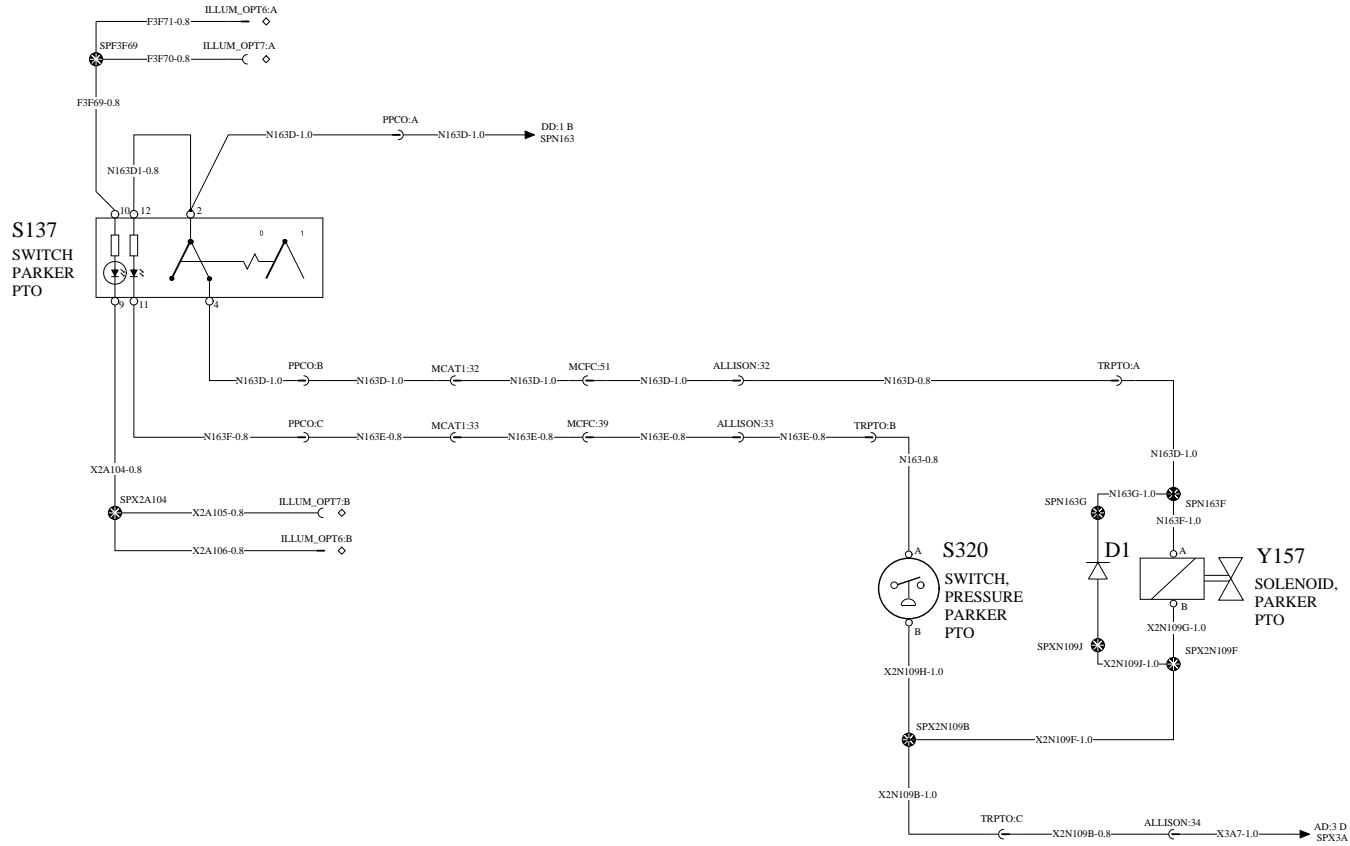
Document type
PRODUCT SCHEMATIC

Drawing No.
23353115

Issue
01

Page
45 (70)

BATT		BATT
IGN		IGN
EMS		EMS
ILLUM		ILLUM

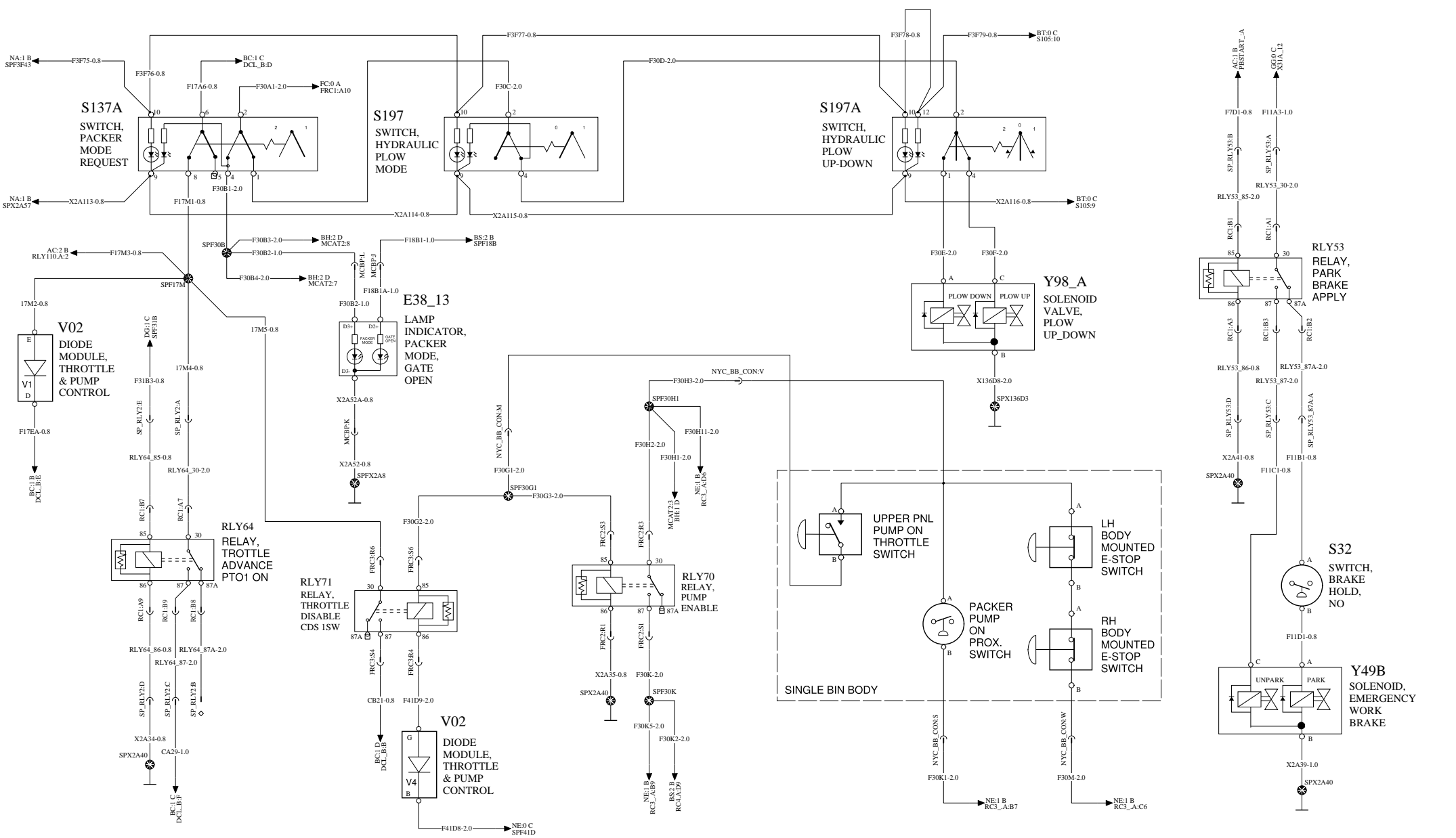


NYC SINGLE BIN PACKER/PLOW CONTROLS (BBM-PK7)

WIRING DIAGRAM: FE-NYC

BATT
IGN
EMS
ILLUM

BATT
IGN
EMS
ILLUM



MACK

Mack Trucks Inc.

Document title
WIRING DIAGRAM - TYPE-OM W/ CE OPTIONS

Document type
PRODUCT SCHEMATIC

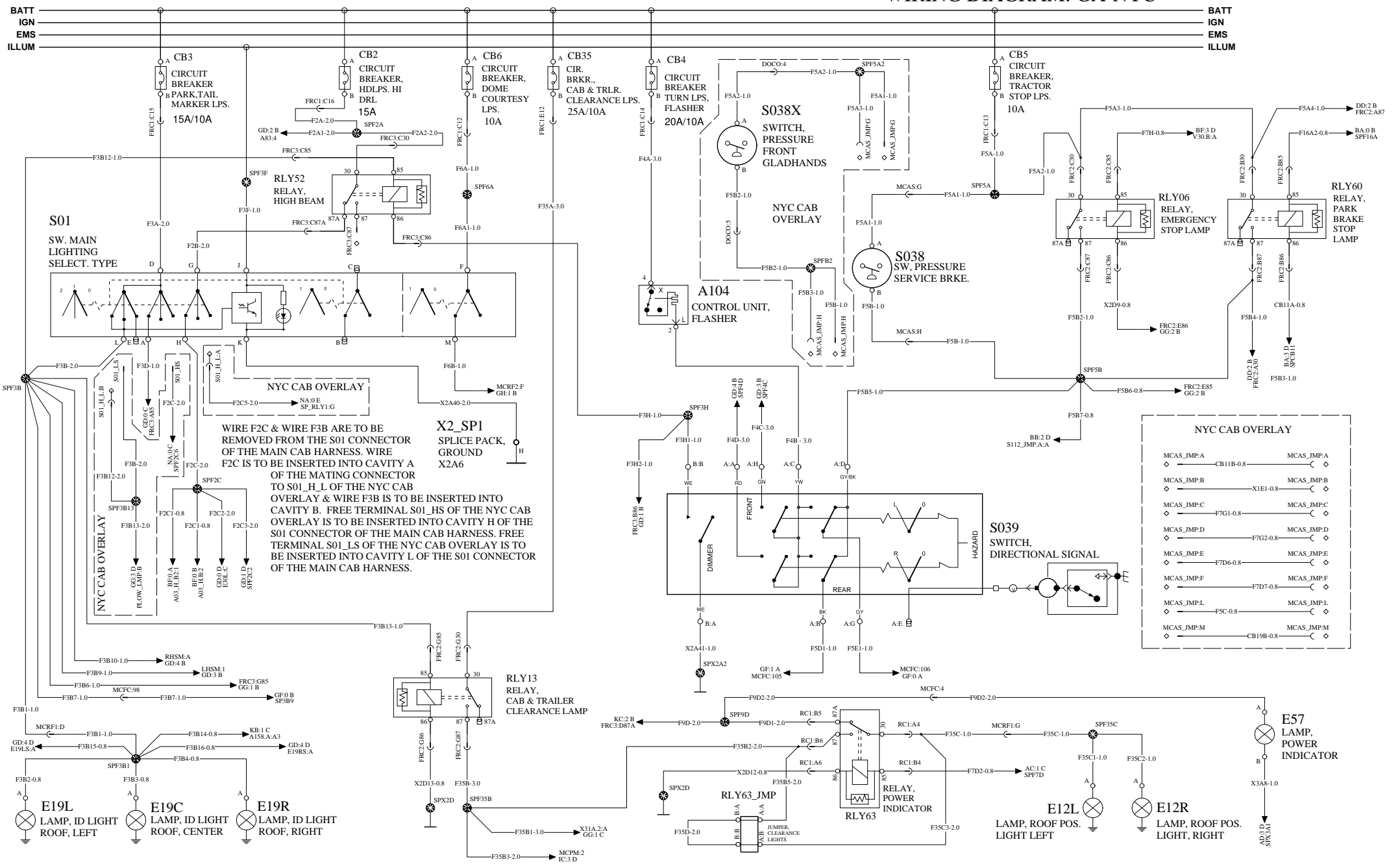
Drawing No.
23353115

Issue
01

Page
47 (70)

LIGHTING - CONTROL W/ BRACONF2

WIRING DIAGRAM: GA-NYC



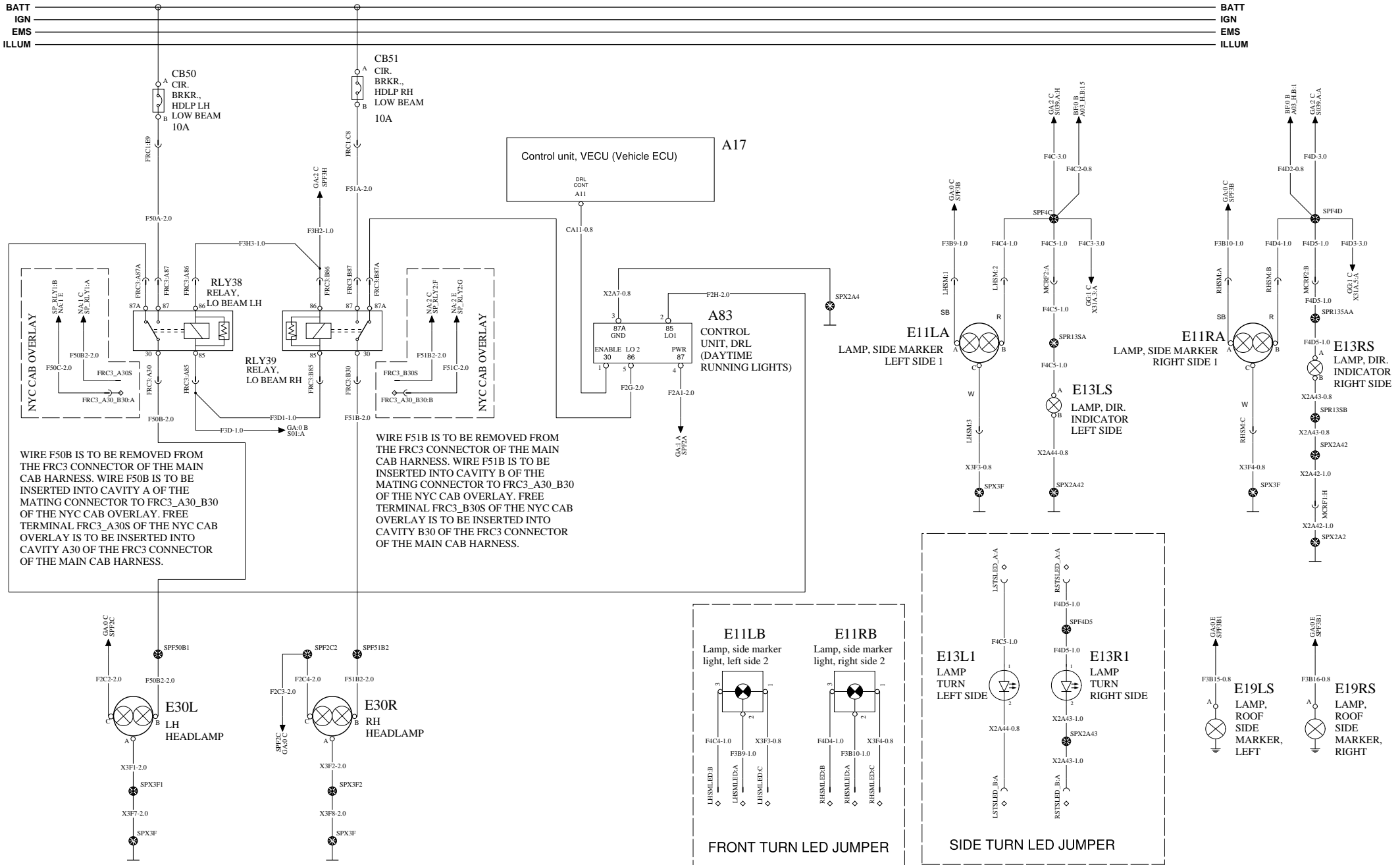
MACK

Mack Trucks Inc.

Document title WIRING DIAGRAM - TYPE-OM W/ CE OPTIONS	Drawing No. 23353115	Issue 01	Page 48 (70)
Document type PRODUCT SCHEMATIC			

LIGHTING - FORWARD / SIGNAL

WIRING DIAGRAM: GD-NYC



MACK

Mack Trucks Inc.

Document title
WIRING DIAGRAM - TYPE-OM W/ CE OPTIONS

Document type
PRODUCT SCHEMATIC

Drawing No.
23353115

Issue
01

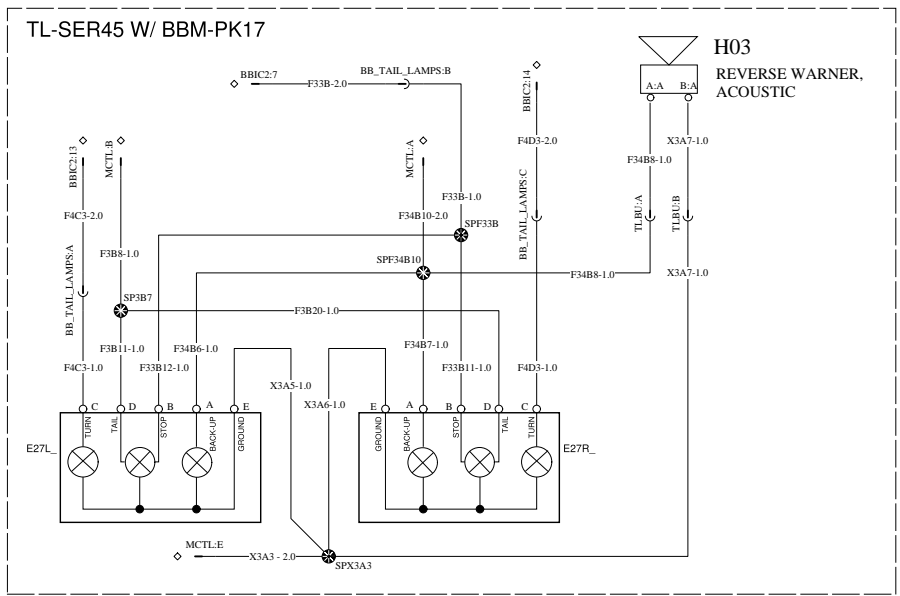
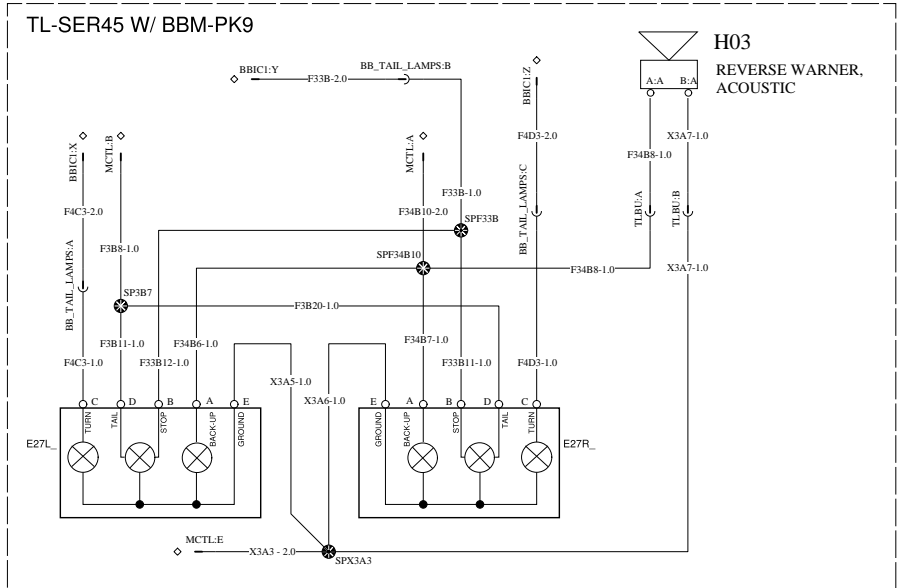
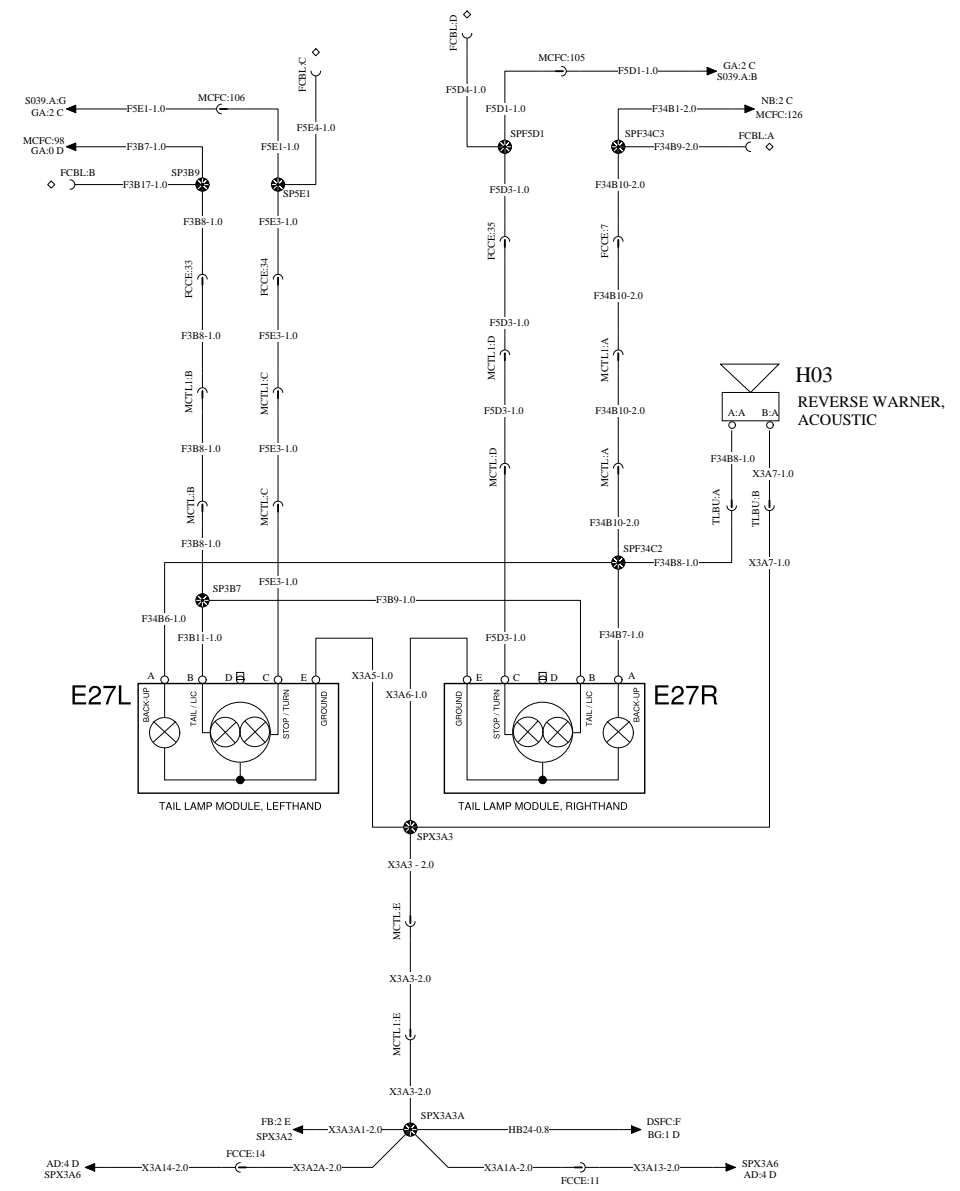
Page
49 (70)

LIGHTING - TAIL LAMP

WIRING DIAGRAM: GF

BATT
IGN
EMS
ILLUM

BATT
IGN
EMS
ILLUM



MACK

Mack Trucks Inc.

Document title
WIRING DIAGRAM - TYPE-OM W/ CE OPTIONS

Document type
PRODUCT SCHEMATIC

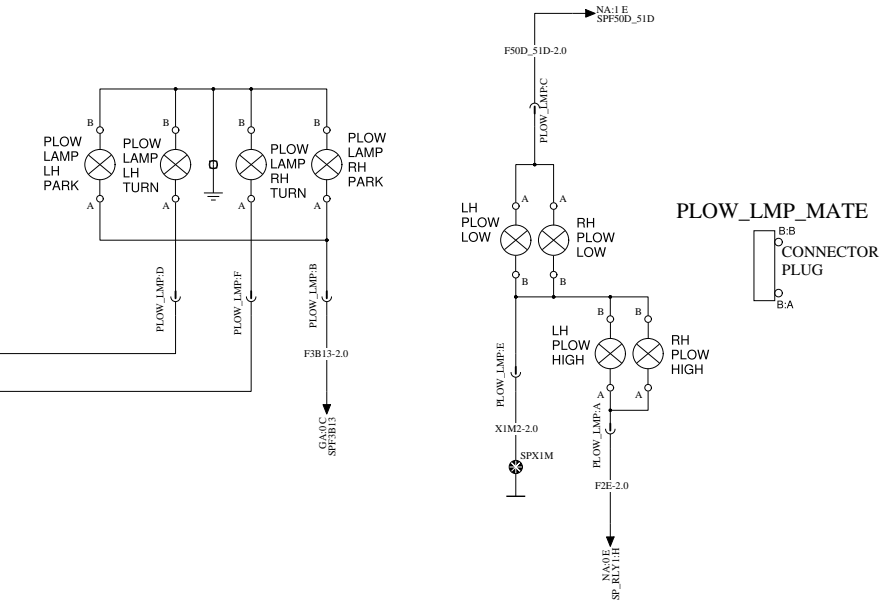
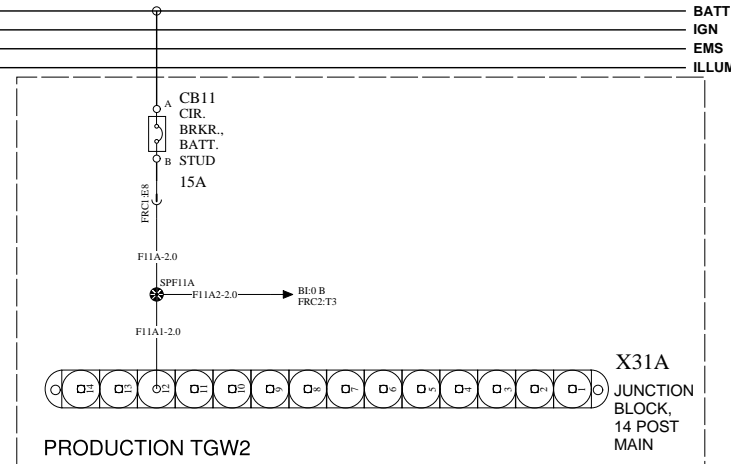
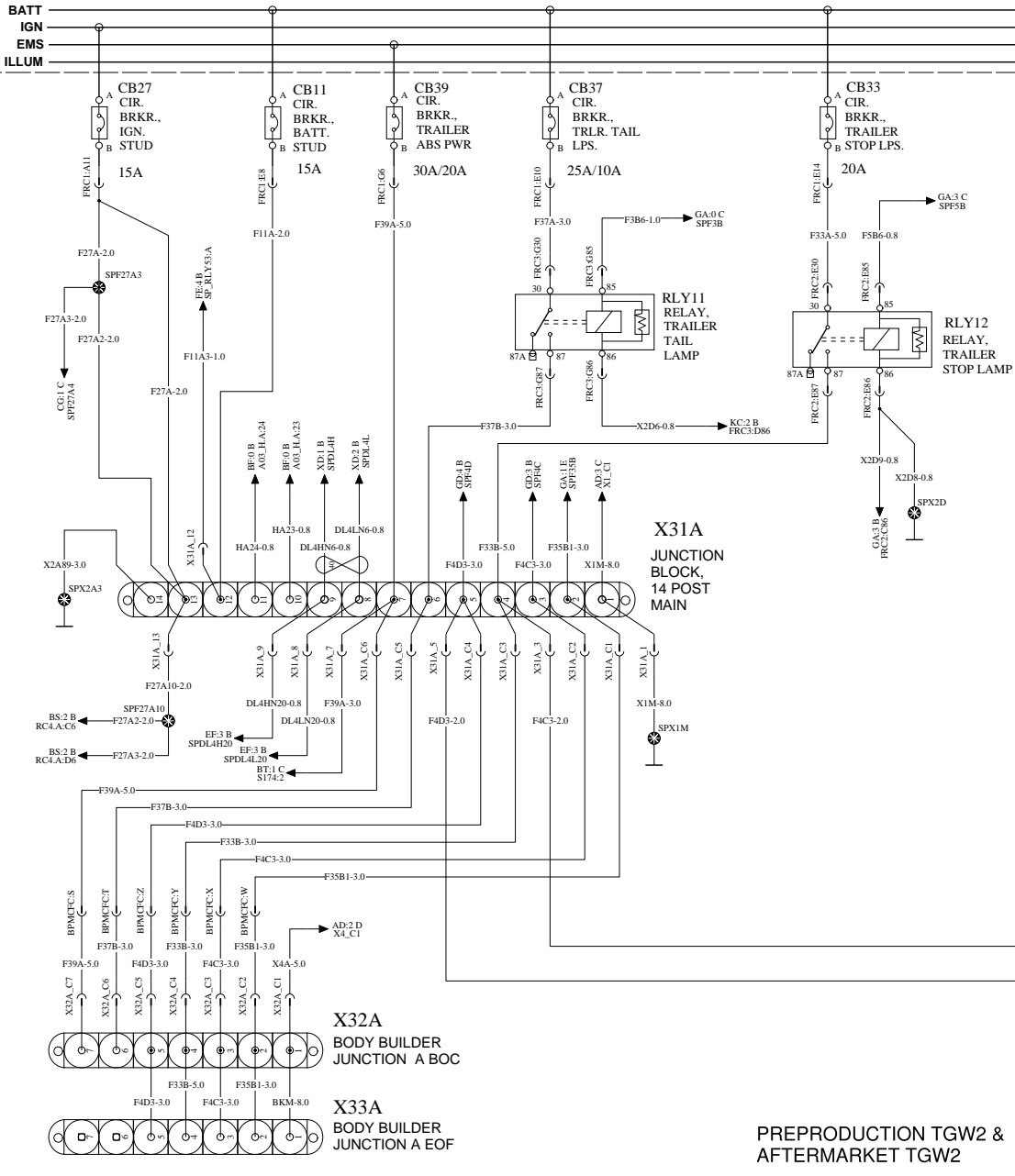
Drawing No.
23353115

Issue
01

Page
50 (70)

LIGHTING - TRAILER CONTROL

WIRING DIAGRAM: GG-NYC



MACK

Mack Trucks Inc.

Document title
WIRING DIAGRAM - TYPE-OM W/ CE OPTIONS

Document type
PRODUCT SCHEMATIC

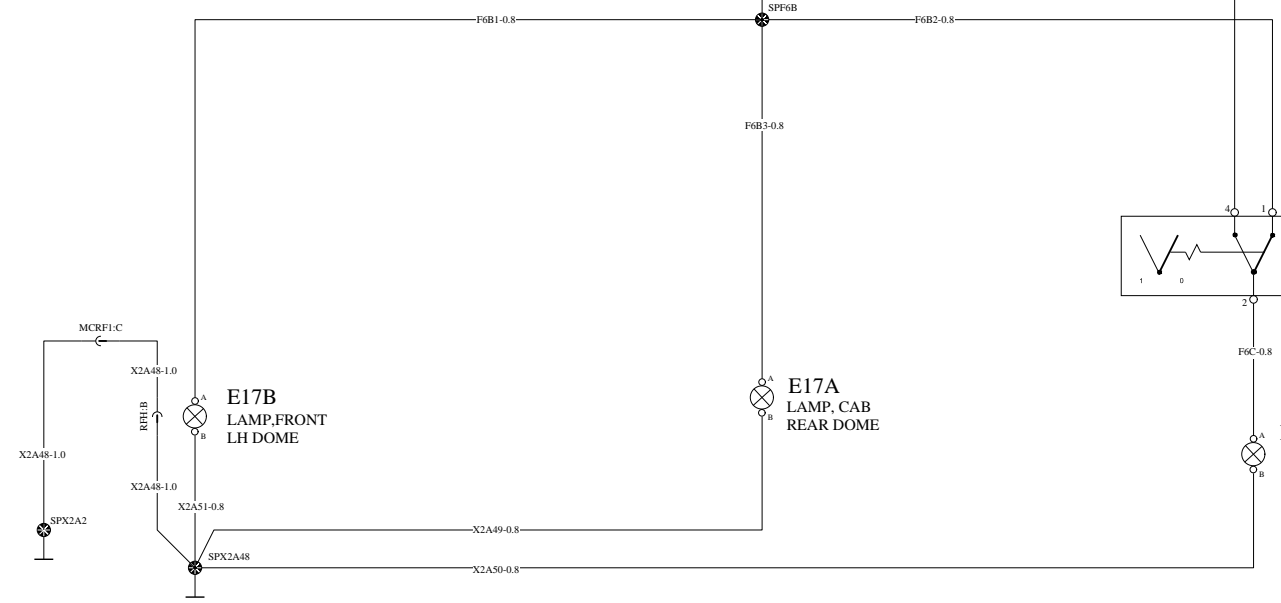
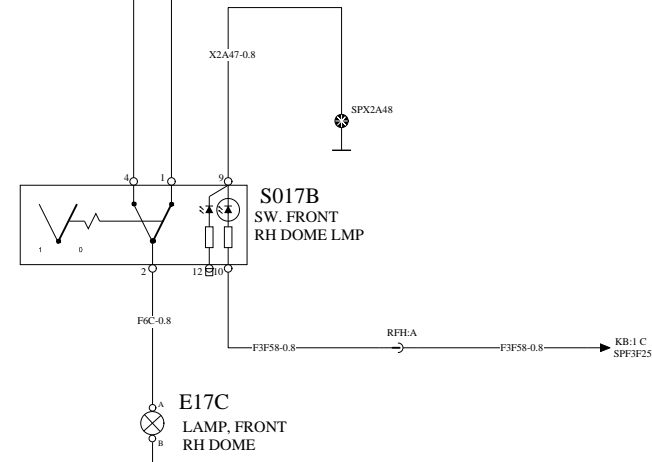
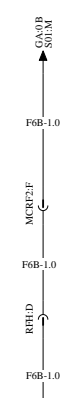
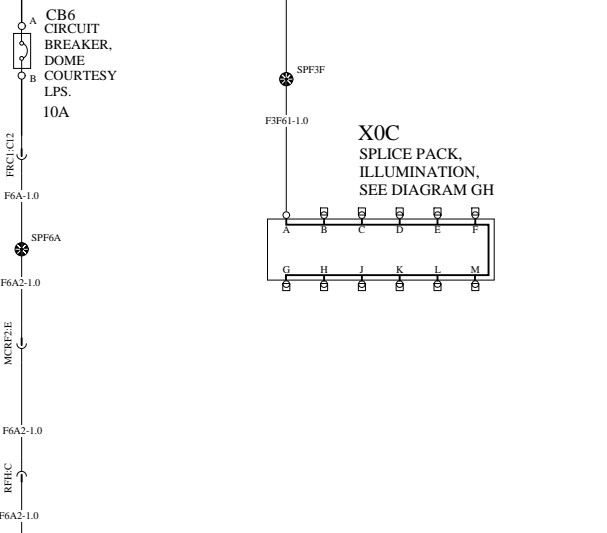
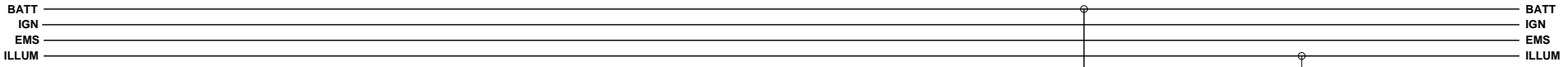
Drawing No.
23353115

Issue
01

Page
51 (70)

LIGHTING - INTERIOR

WIRING DIAGRAM: GH



MACK

Mack Trucks Inc.

Document title WIRING DIAGRAM - TYPE-OM W/ CE OPTIONS
Document type PRODUCT SCHEMATIC

Drawing No. 23353115

Issue 01

Page 52 (70)

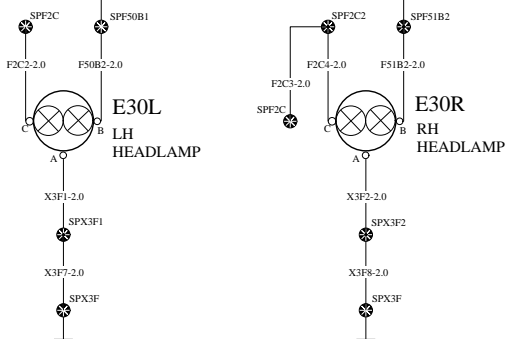
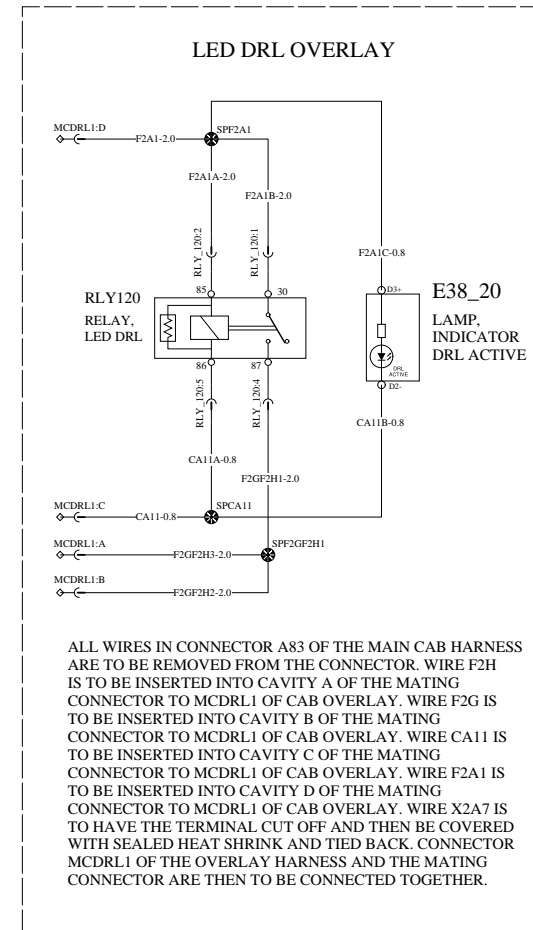
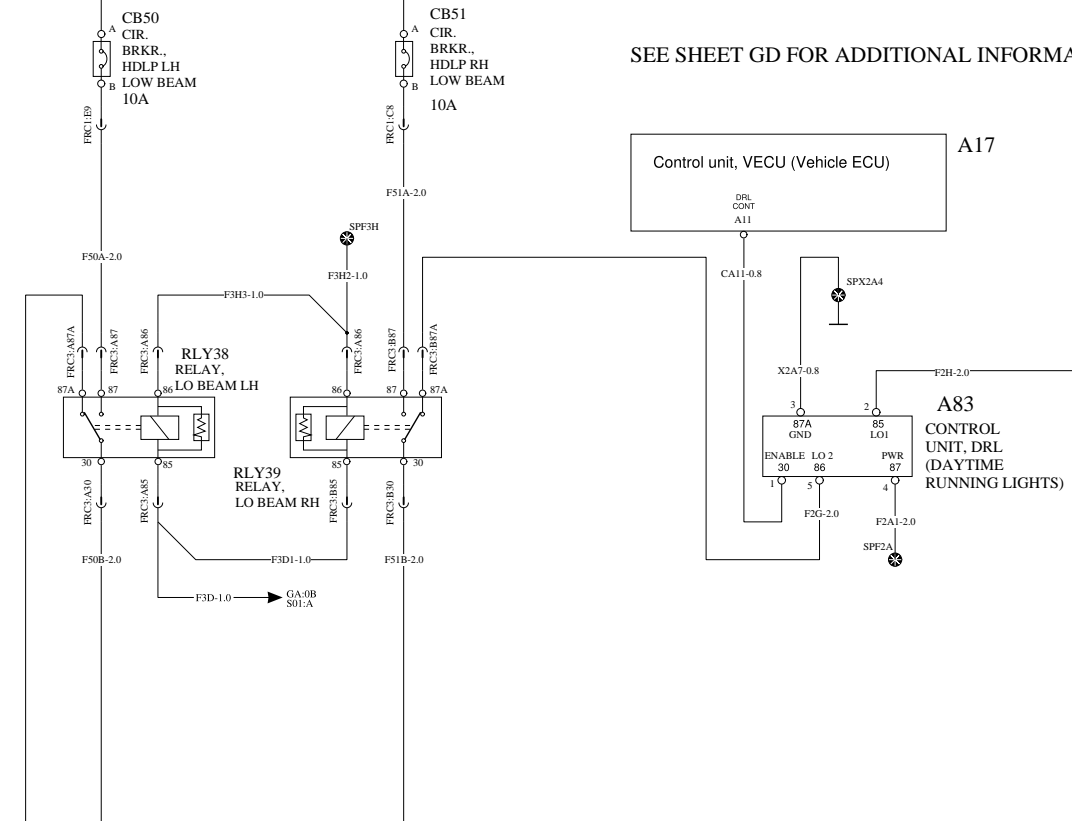
LIGHTING - FORWARD - LED W/ DRL

WIRING DIAGRAM: GL

BATT
IGN
EMS
ILLUM

BATT
IGN
EMS
ILLUM

SEE SHEET GD FOR ADDITIONAL INFORMATION



SEE SHEET GD FOR ADDITIONAL INFORMATION

MACK

Mack Trucks Inc.

Document title
WIRING DIAGRAM - TYPE-OM W/ CE OPTIONS

Document type
PRODUCT SCHEMATIC

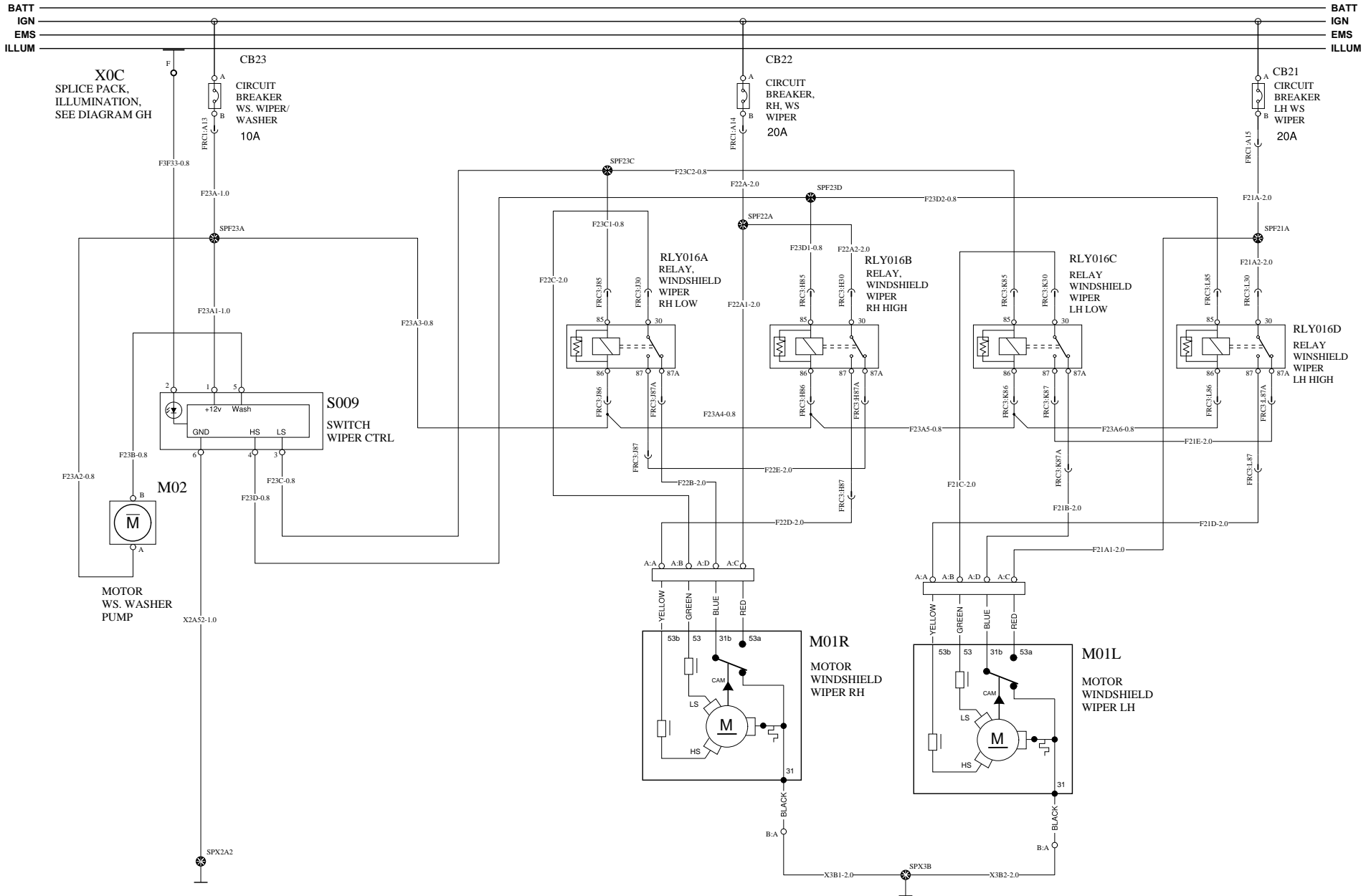
Drawing No.
23353115

Issue
01

Page
53 (70)

WIPER / WASHER

WIRING DIAGRAM: GP



MACK

Mack Trucks Inc.

Document title
WIRING DIAGRAM - TYPE-OM W/ CE OPTIONS

Document type
PRODUCT SCHEMATIC

Drawing No.
23353115

Issue
01

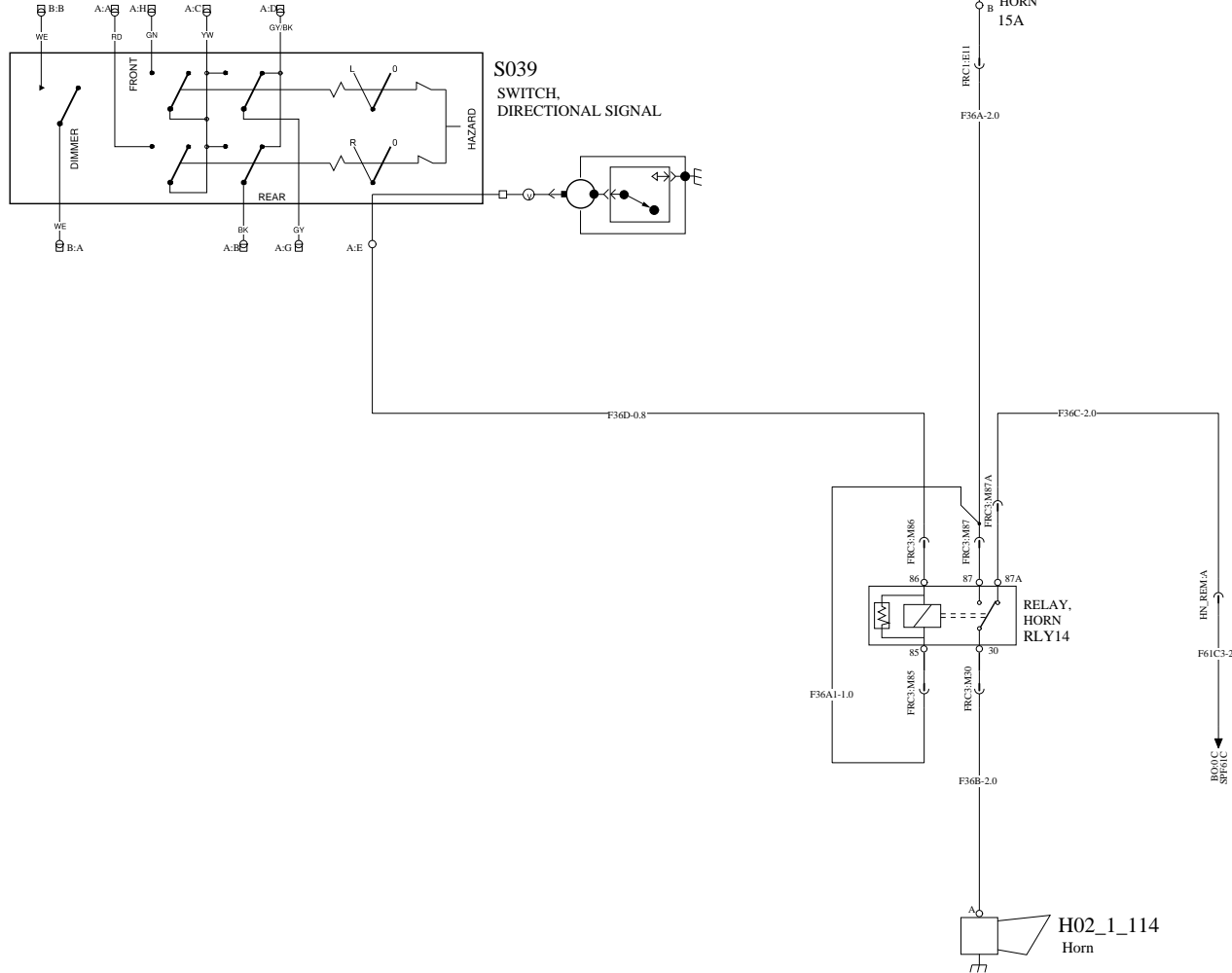
Page
54 (70)

ELECTRIC HORN

WIRING DIAGRAM: GQ

BATT
IGN
EMS
ILLUM

BATT
IGN
EMS
ILLUM



MACK

Mack Trucks Inc.

Document title
WIRING DIAGRAM - TYPE-OM W/ CE OPTIONS

Document type
PRODUCT SCHEMATIC

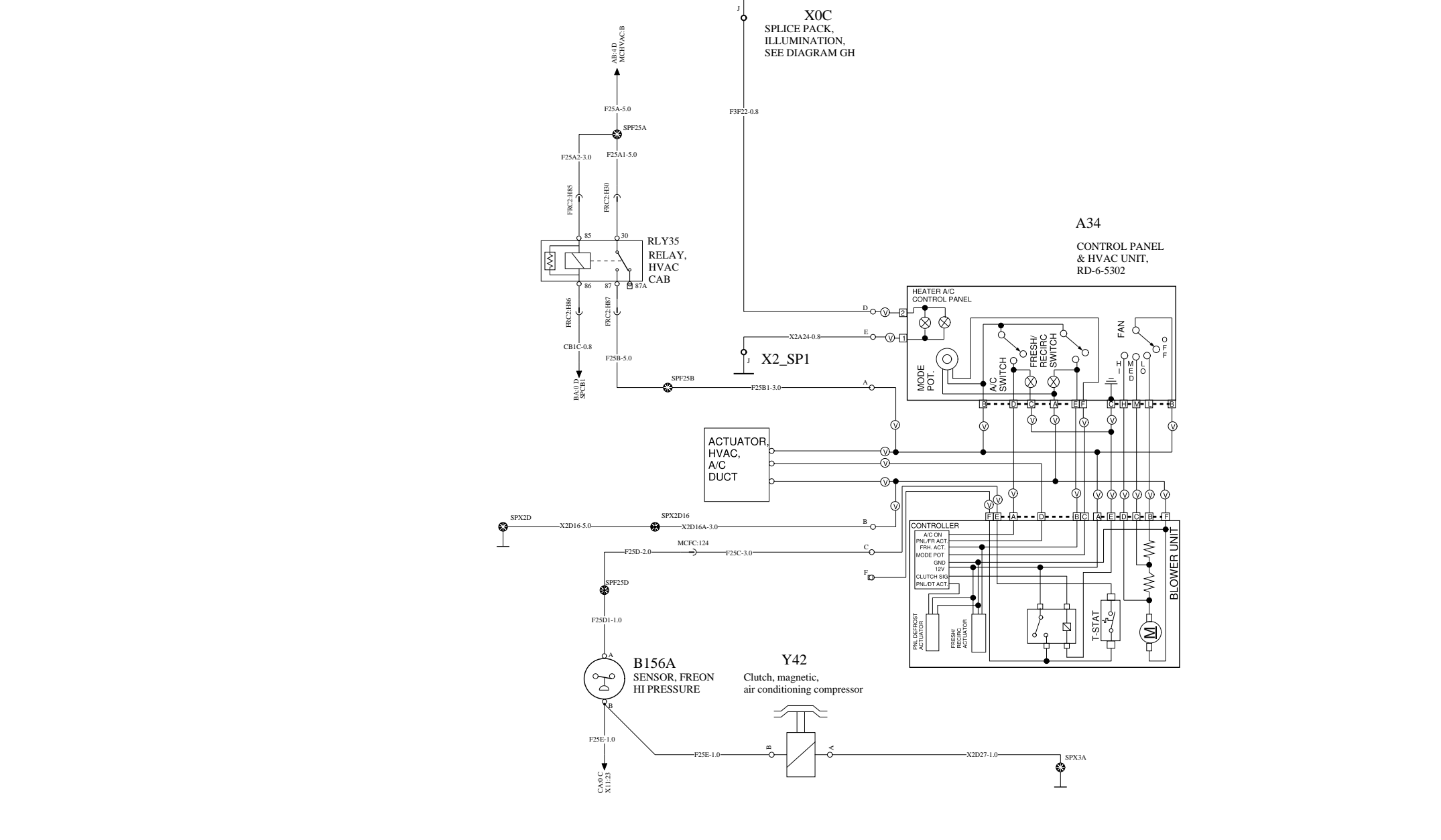
Drawing No.
23353115

Issue
01

Page
55 (70)

BATT
IGN
EMS
ILLUM

BATT
IGN
EMS
ILLUM



MACK

Mack Trucks Inc.

Document title WIRING DIAGRAM - TYPE-OM W/ CE OPTIONS
Document type PRODUCT SCHEMATIC

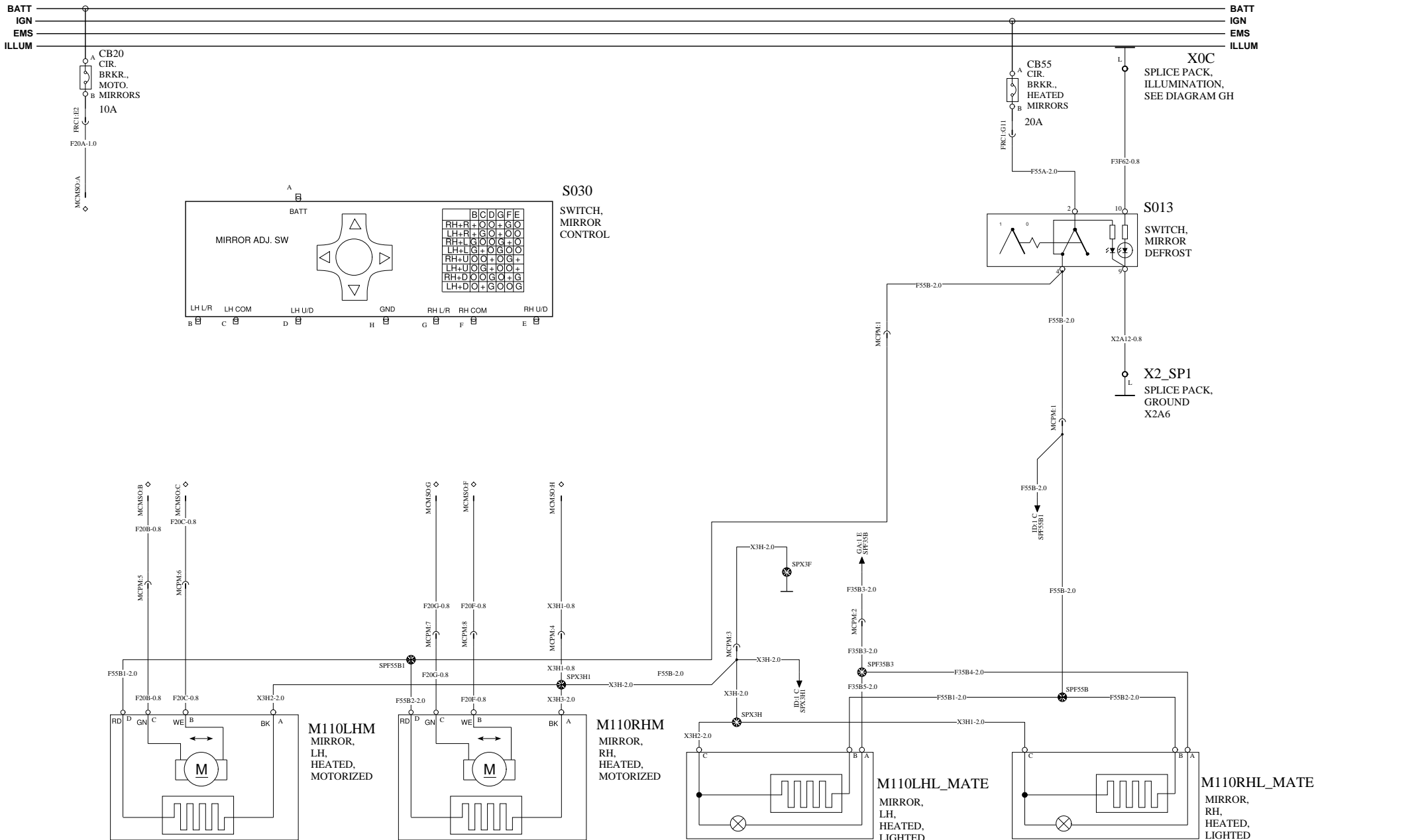
Drawing No. 23353115

Issue 01

Page 56 (70)

MIRROR CONTROL 1 / 2

WIRING DIAGRAM: IC



HEATED & MOTORIZED MIRRORS

HEATED & LIGHTED MIRRORS

MACK

Mack Trucks Inc.

Document title
 WIRING DIAGRAM - TYPE-OM W/ CE OPTIONS
 Document type
 PRODUCT SCHEMATIC

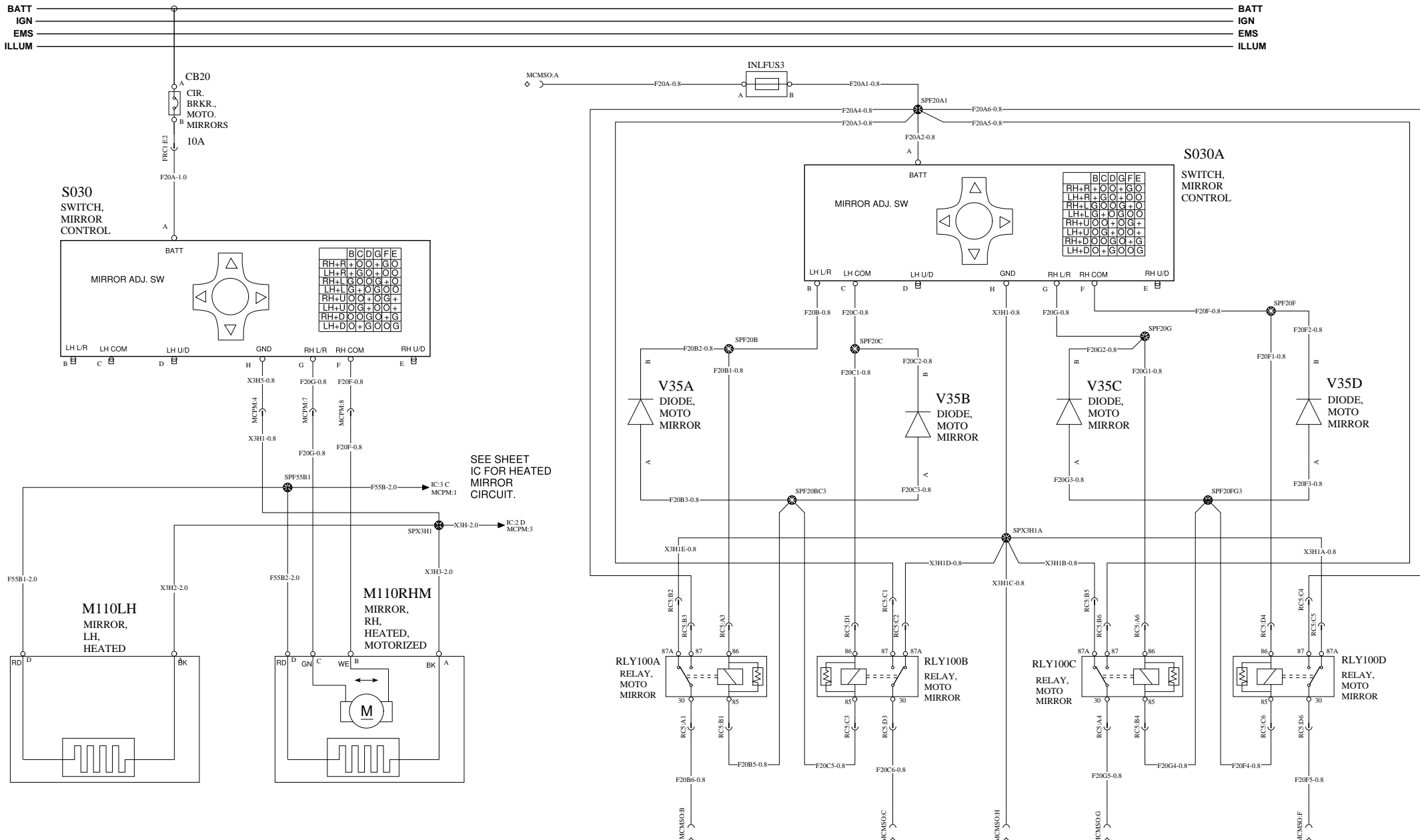
Drawing No.
 23353115

Issue
 01

Page
 57 (70)

MIRROR CONTROL 2 / 2

WIRING DIAGRAM: ID



LH HEATED & RH HEATED AND MOTORIZED MIRRORS

MACK

Mack Trucks Inc.

Document title
WIRING DIAGRAM - TYPE-OM W/ CE OPTIONS

Document type
PRODUCT SCHEMATIC

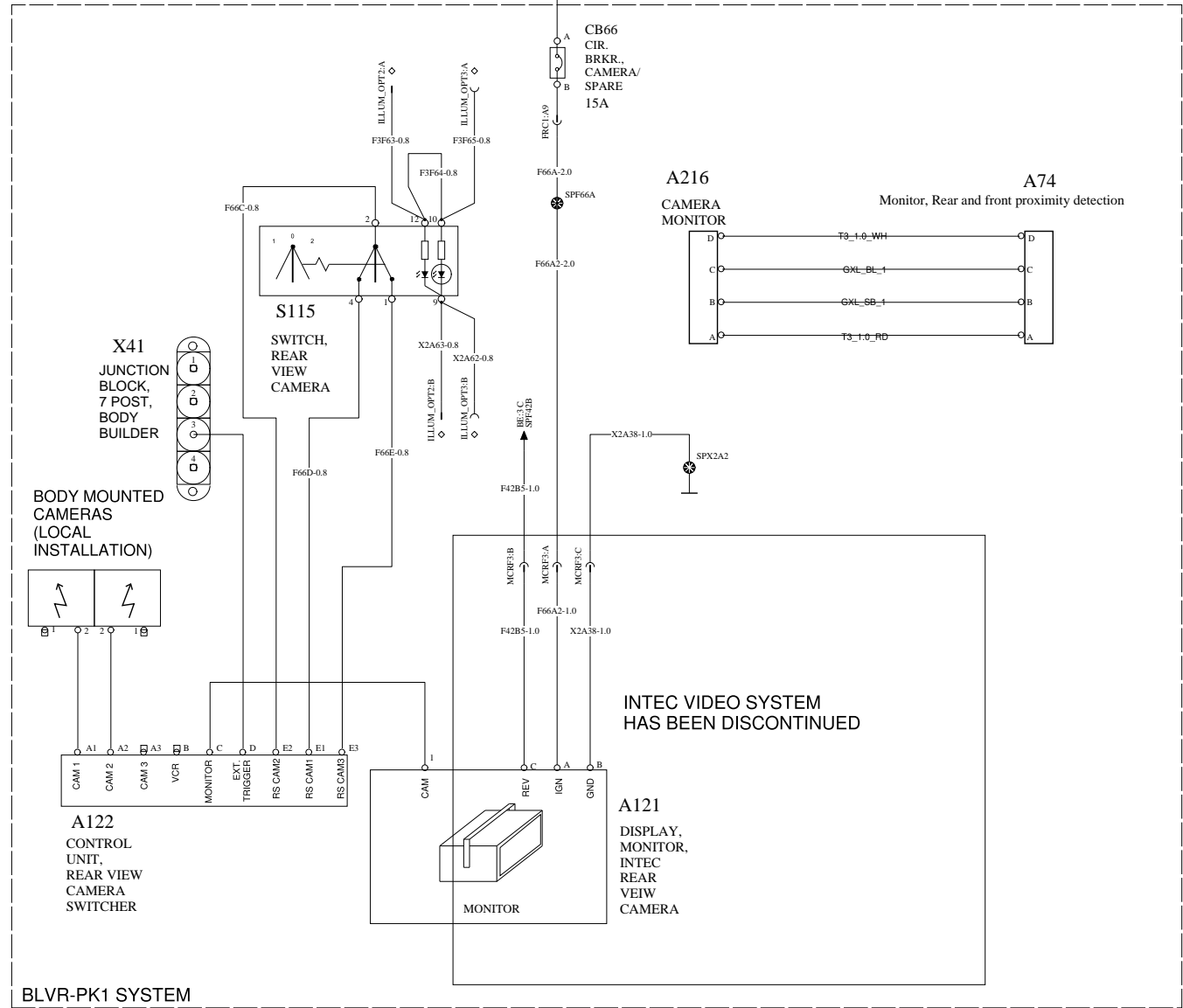
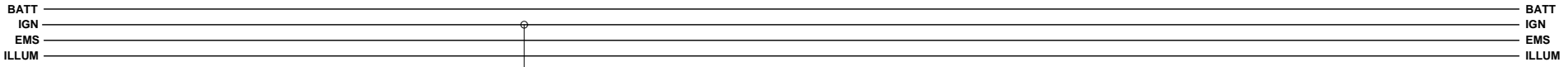
Drawing No.
23353115

Issue
01

Page
58 (70)

VISUAL SYSTEMS

WIRING DIAGRAM: KA



CB66
CIR.
BRKR.,
CAMERA/
SPARE
15A

A216
CAMERA
MONITOR

A74
Monitor, Rear and front proximity detection

BODY MOUNTED
CAMERAS
(LOCAL
INSTALLATION)

INTEC VIDEO SYSTEM
HAS BEEN DISCONTINUED

A121
DISPLAY,
MONITOR,
INTEC
REAR
VIEW
CAMERA

BLVR-PK1 SYSTEM

MACK

Mack Trucks Inc.

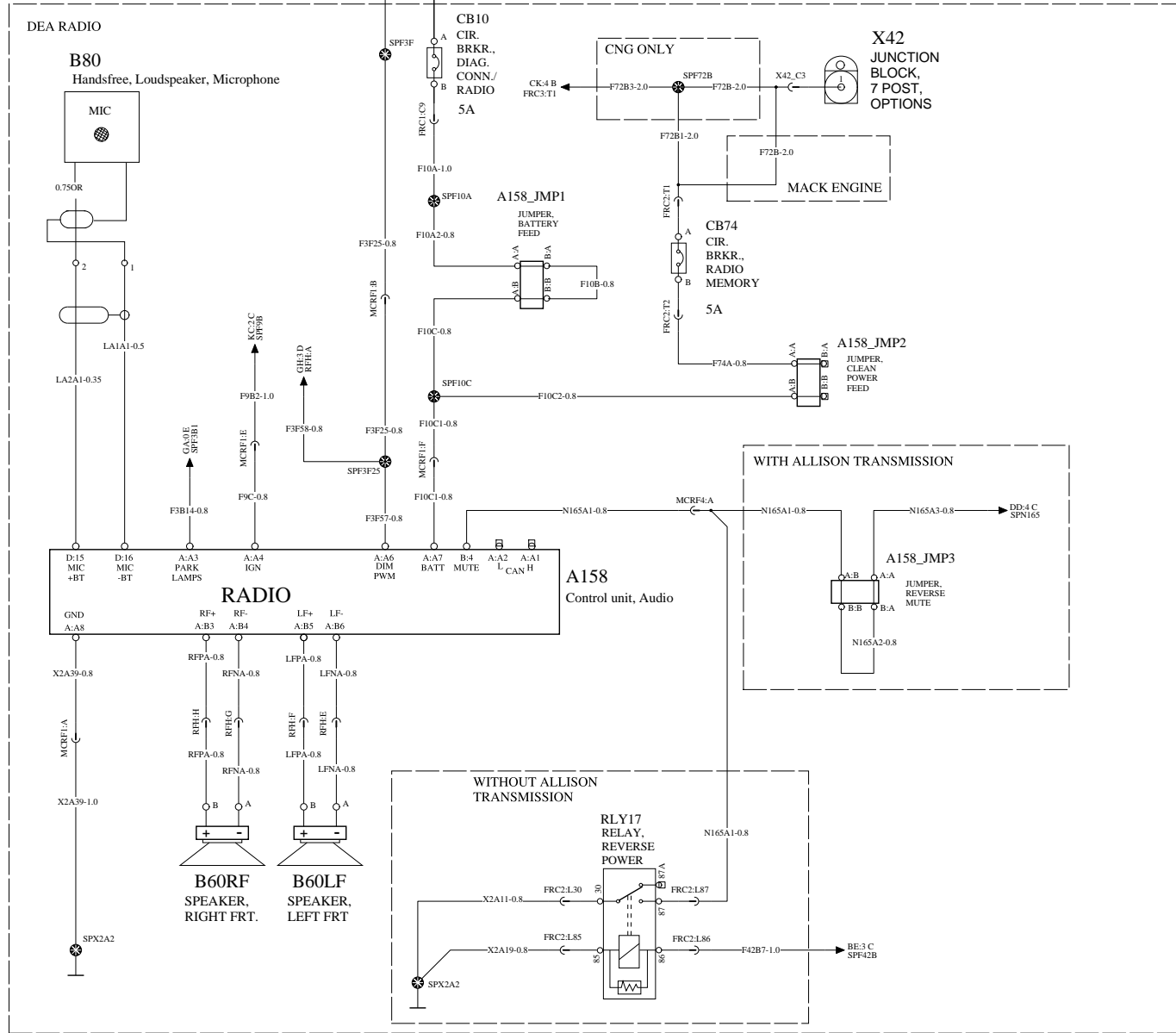
Document title WIRING DIAGRAM - TYPE-OM W/ CE OPTIONS
Document type PRODUCT SCHEMATIC

Drawing No. 23353115

Issue 01	Page 59 (70)
--------------------	------------------------

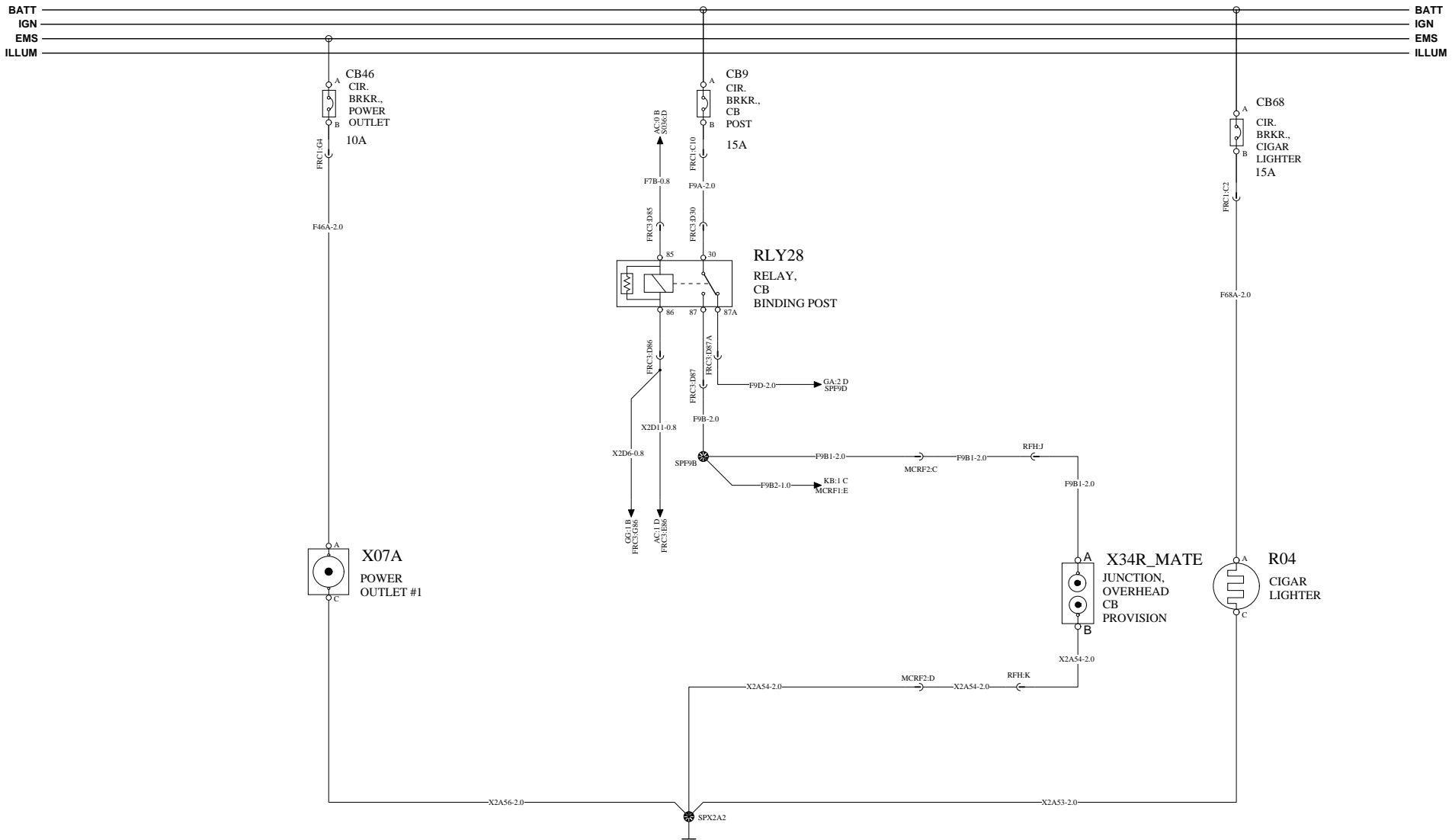
BATT
IGN
EMS
ILLUM

BATT
IGN
EMS
ILLUM



POWER OUTLET CONNECTIONS

WIRING DIAGRAM: KC



MACK

Mack Trucks Inc.

Document title
WIRING DIAGRAM - TYPE-OM W/ CE OPTIONS

Document type
PRODUCT SCHEMATIC

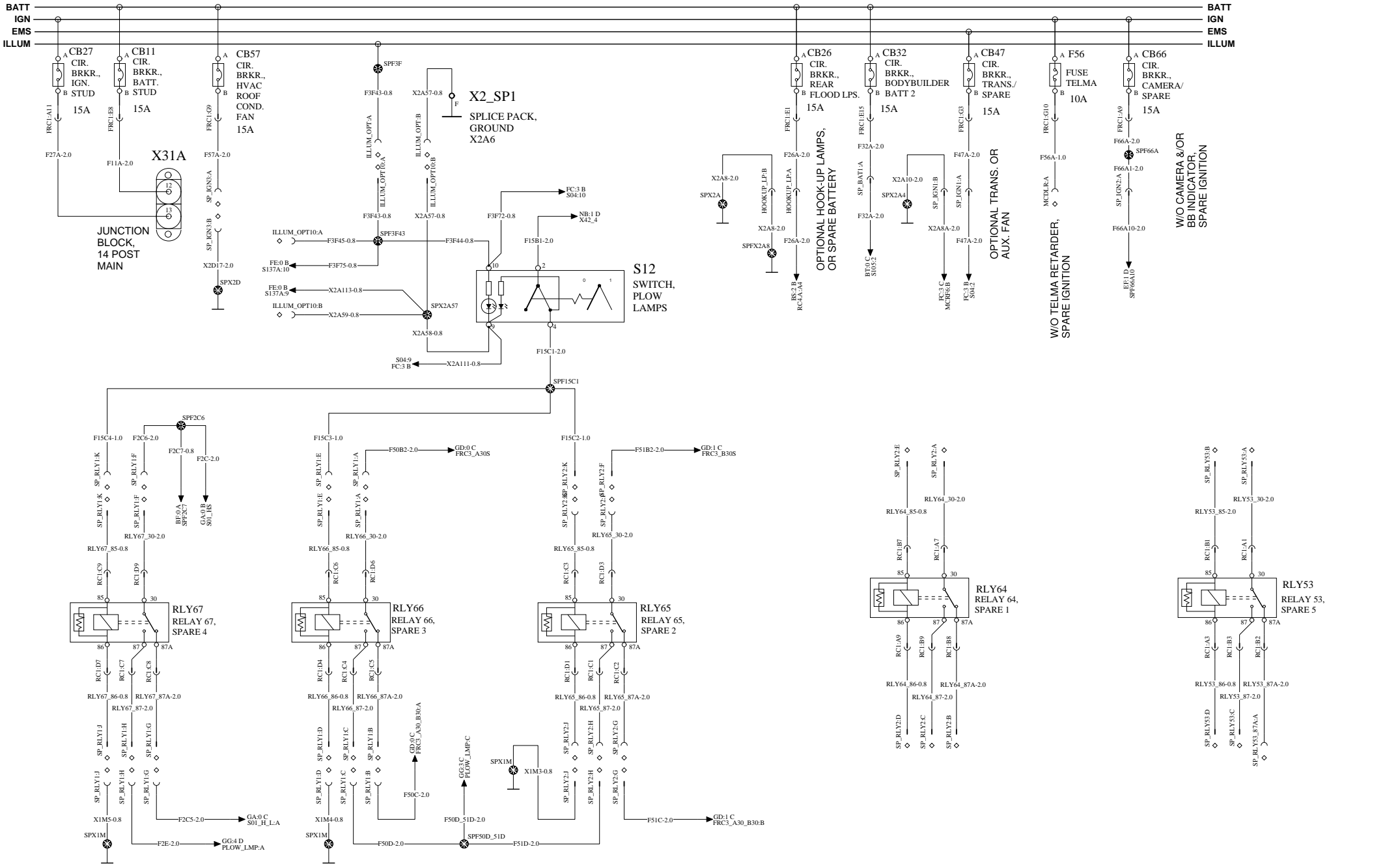
Drawing No.
23353115

Issue
01

Page
61 (70)

SPARE CONNECTIONS & FEEDS

WIRING DIAGRAM: NA-NYC



MACK

Mack Trucks Inc.

Document title
WIRING DIAGRAM - TYPE-OM W/ CE OPTIONS
 Document type
PRODUCT SCHEMATIC

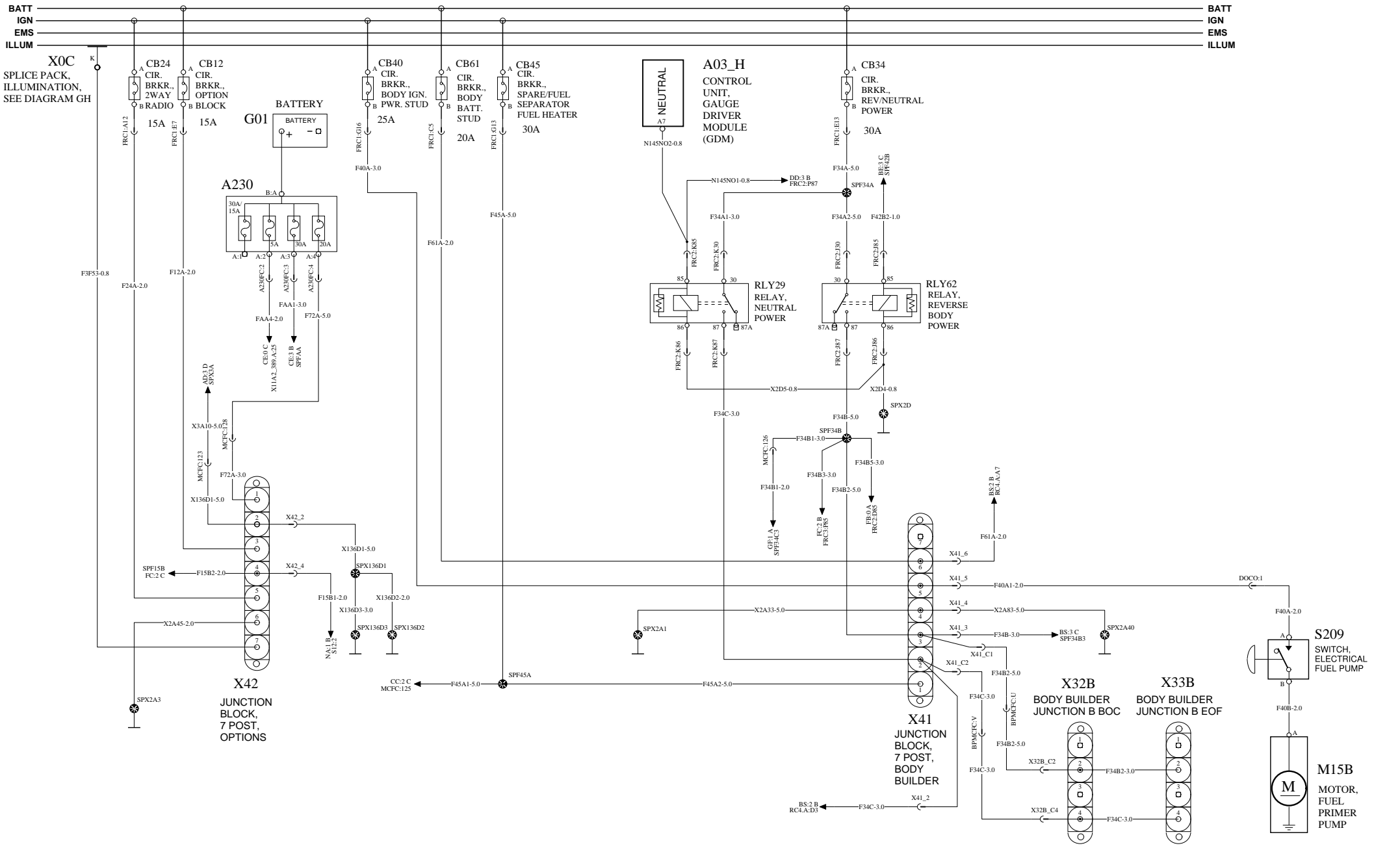
Drawing No.
23353115

Issue
01

Page
62 (70)

JUNCTION POSTS & ELECTRIC FUEL PRIMER PUMP (PRIM-EL)

WIRING DIAGRAM: NB-NYC



MACK

Mack Trucks Inc.

Document title
WIRING DIAGRAM - TYPE-OM W/ CE OPTIONS
 Document type
PRODUCT SCHEMATIC

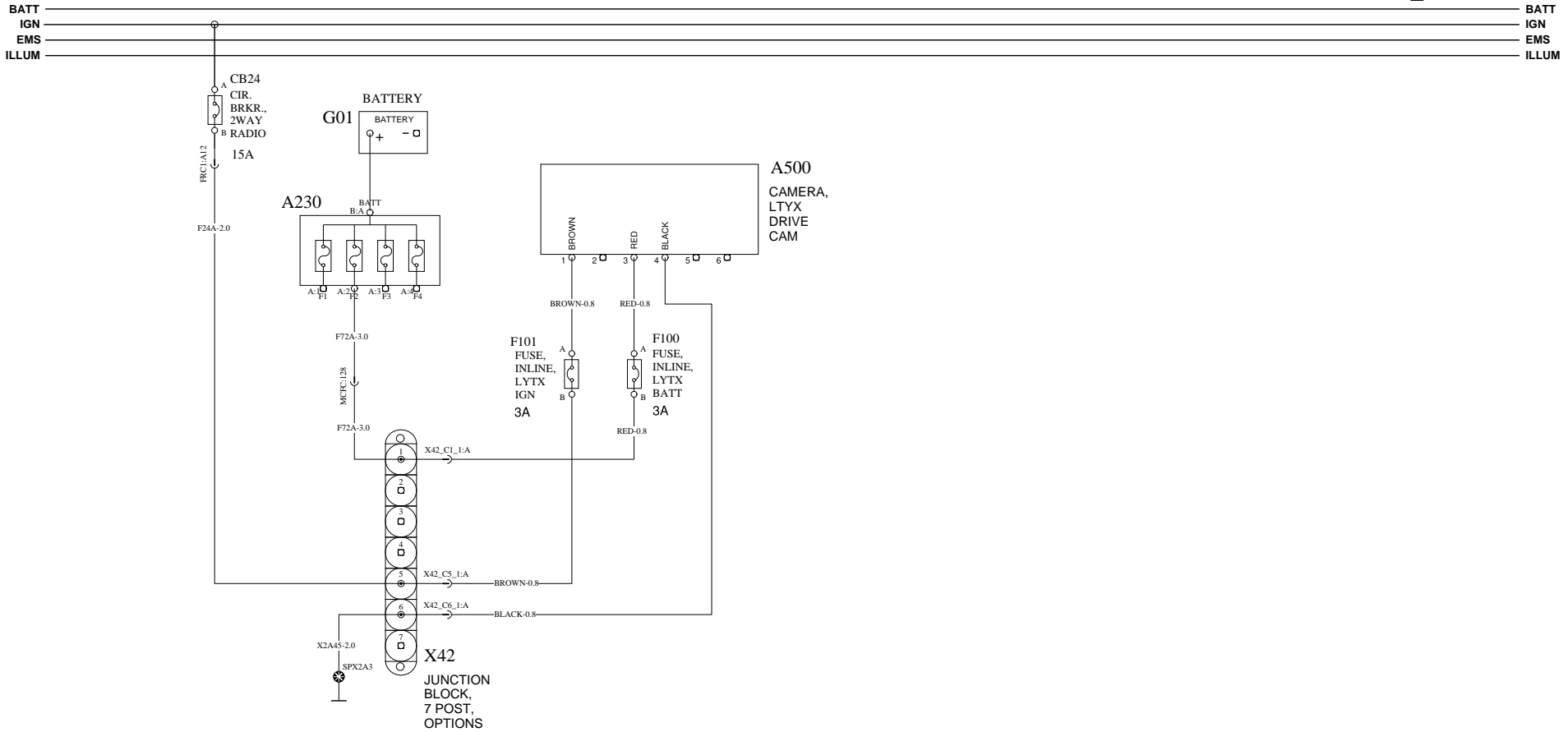
Drawing No.
23353115

Issue
01

Page
63 (70)

LYTX DRIVE CAM PREP (1PA-BBX)

WIRING DIAGRAM: NC_O



MACK

Mack Trucks Inc.

Document title
WIRING DIAGRAM - TYPE-OM W/ CE OPTIONS

Document type
PRODUCT SCHEMATIC

Drawing No.
23353115

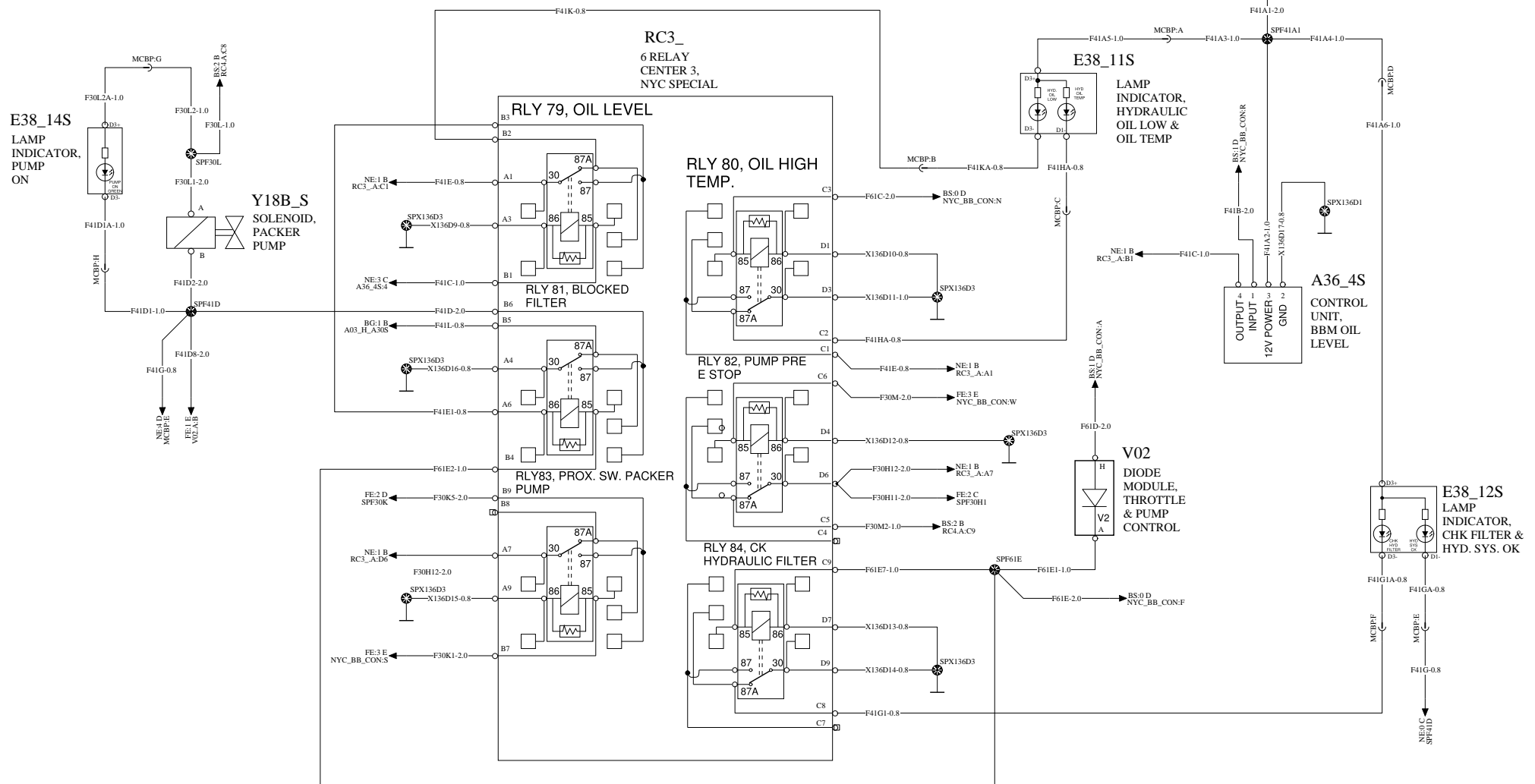
Issue
01

Page
64 (70)

NYC SINGLE BIN HYDRAULIC PUMP PROTECTION

WIRING DIAGRAM: NE-NYC

BATT
IGN
EMS
ILLUM



MACK

Mack Trucks Inc.

Document title
WIRING DIAGRAM - TYPE-OM W/ CE OPTIONS

Document type
PRODUCT SCHEMATIC

Drawing No.
23353115

Issue
01

Page
65 (70)

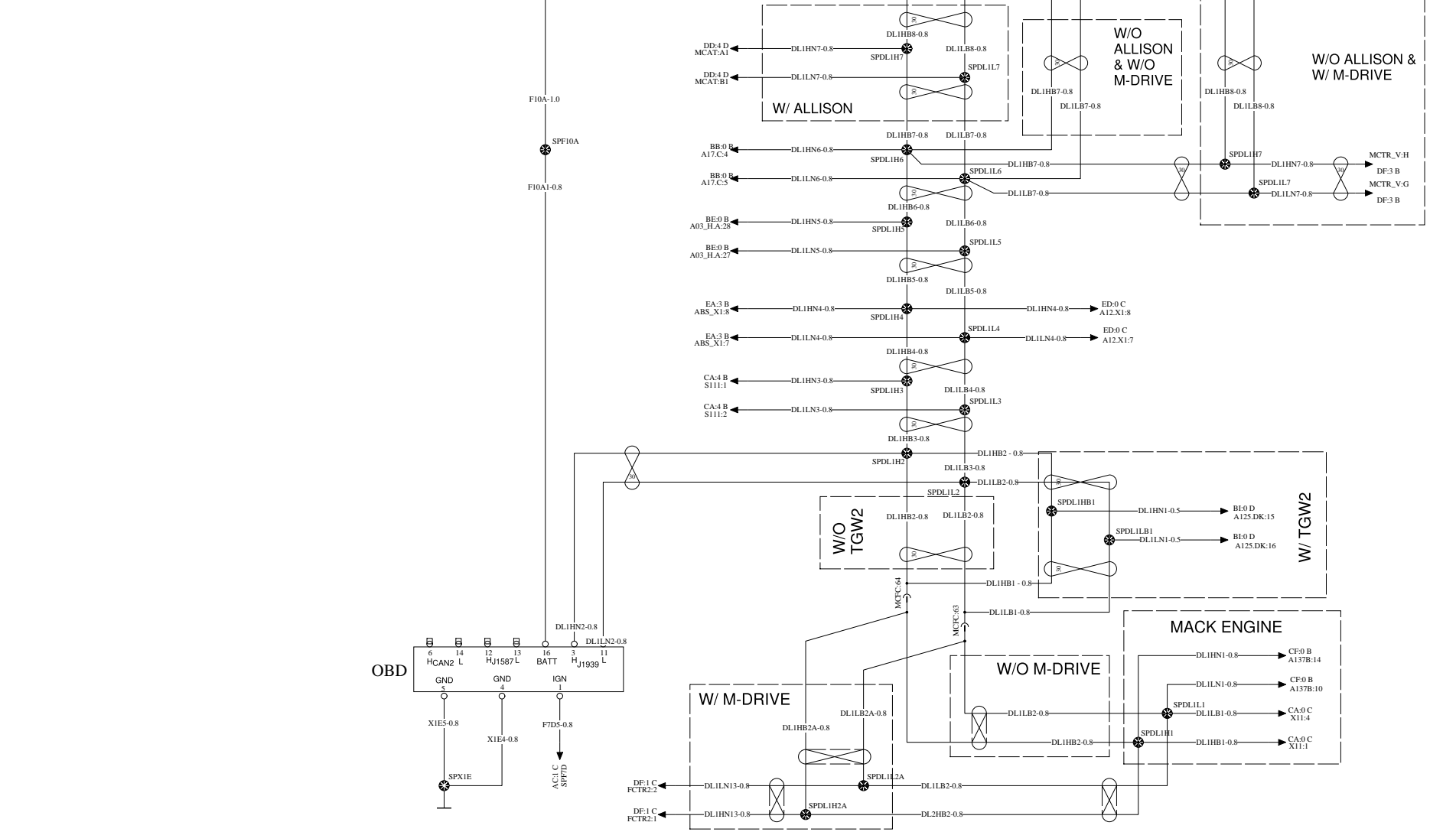
DIAGNOSTICS / DATALINK 1 (MACK ENGINE)

WIRING DIAGRAM: XA

BATT
IGN
EMS
ILLUM

BATT
IGN
EMS
ILLUM

DATALINK 1 FOR MACK ENGINES CAN BE FOUND ON SHEET XA
 DATALINK 1 FOR CUMMINS ENGINES CAN BE FOUND ON SHEET XB
 DATALINK 2 CAN BE FOUND ON SHEET XC
 J1587 CAN BE FOUND ON SHEET XD
 DATALINK 10 FOR CUMMINS ENGINES CAN BE FOUND ON SHEET XE



MACK

Mack Trucks Inc.

Document title
WIRING DIAGRAM - TYPE-OM W/ CE OPTIONS

Document type
PRODUCT SCHEMATIC

Drawing No.
23353115

Issue
01

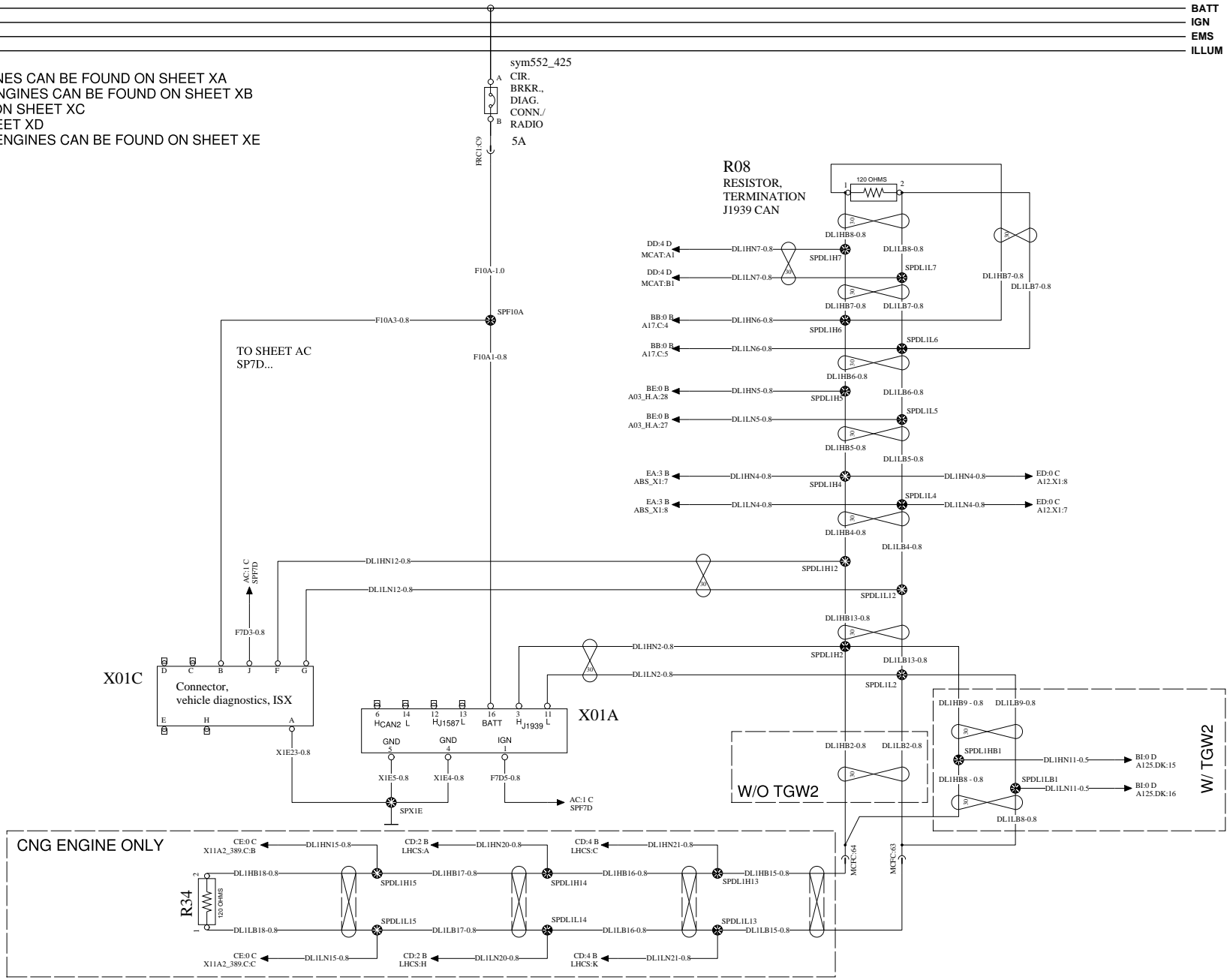
Page
66 (70)

DIAGNOSTICS / DATALINK 1 (CUMMINS ENGINE)

WIRING DIAGRAM: XB

BATT
IGN
EMS
ILLUM

DATALINK 1 FOR MACK ENGINES CAN BE FOUND ON SHEET XA
 DATALINK 1 FOR CUMMINS ENGINES CAN BE FOUND ON SHEET XB
 DATALINK 2 CAN BE FOUND ON SHEET XC
 J1587 CAN BE FOUND ON SHEET XD
 DATALINK 10 FOR CUMMINS ENGINES CAN BE FOUND ON SHEET XE



MACK

Mack Trucks Inc.

Document title
 WIRING DIAGRAM - TYPE-OM W/ CE OPTIONS
 Document type
 PRODUCT SCHEMATIC

Drawing No.
 23353115

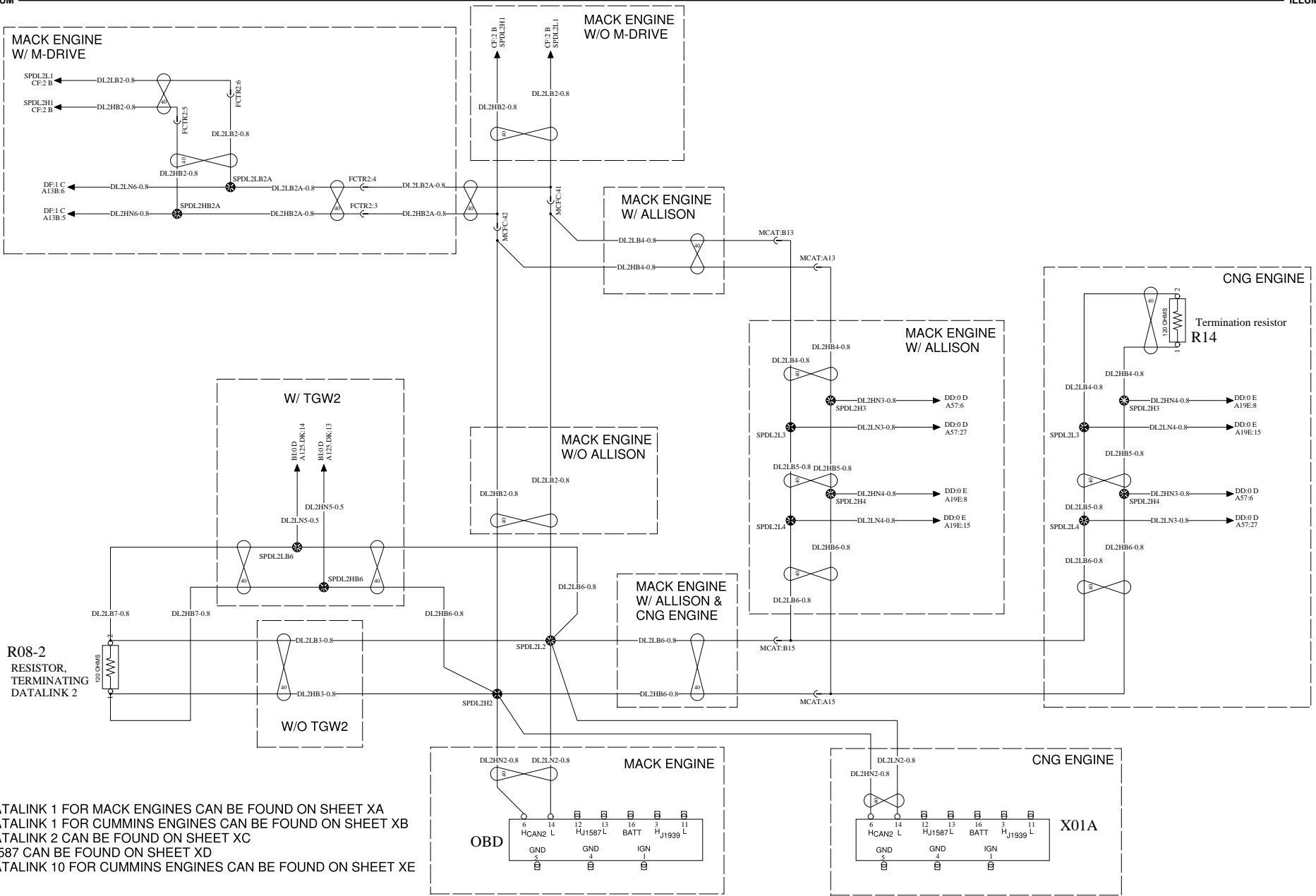
Issue
 01

Page
 67 (70)

DATALINK 2

WIRING DIAGRAM: XC

BATT
IGN
EMS
ILLUM



DATALINK 1 FOR MACK ENGINES CAN BE FOUND ON SHEET XA
 DATALINK 1 FOR CUMMINS ENGINES CAN BE FOUND ON SHEET XB
 DATALINK 2 CAN BE FOUND ON SHEET XC
 J1587 CAN BE FOUND ON SHEET XD
 DATALINK 10 FOR CUMMINS ENGINES CAN BE FOUND ON SHEET XE

MACK

Mack Trucks Inc.

Document title
 WIRING DIAGRAM - TYPE-OM W/ CE OPTIONS
 Document type
 PRODUCT SCHEMATIC

Drawing No.
 23353115

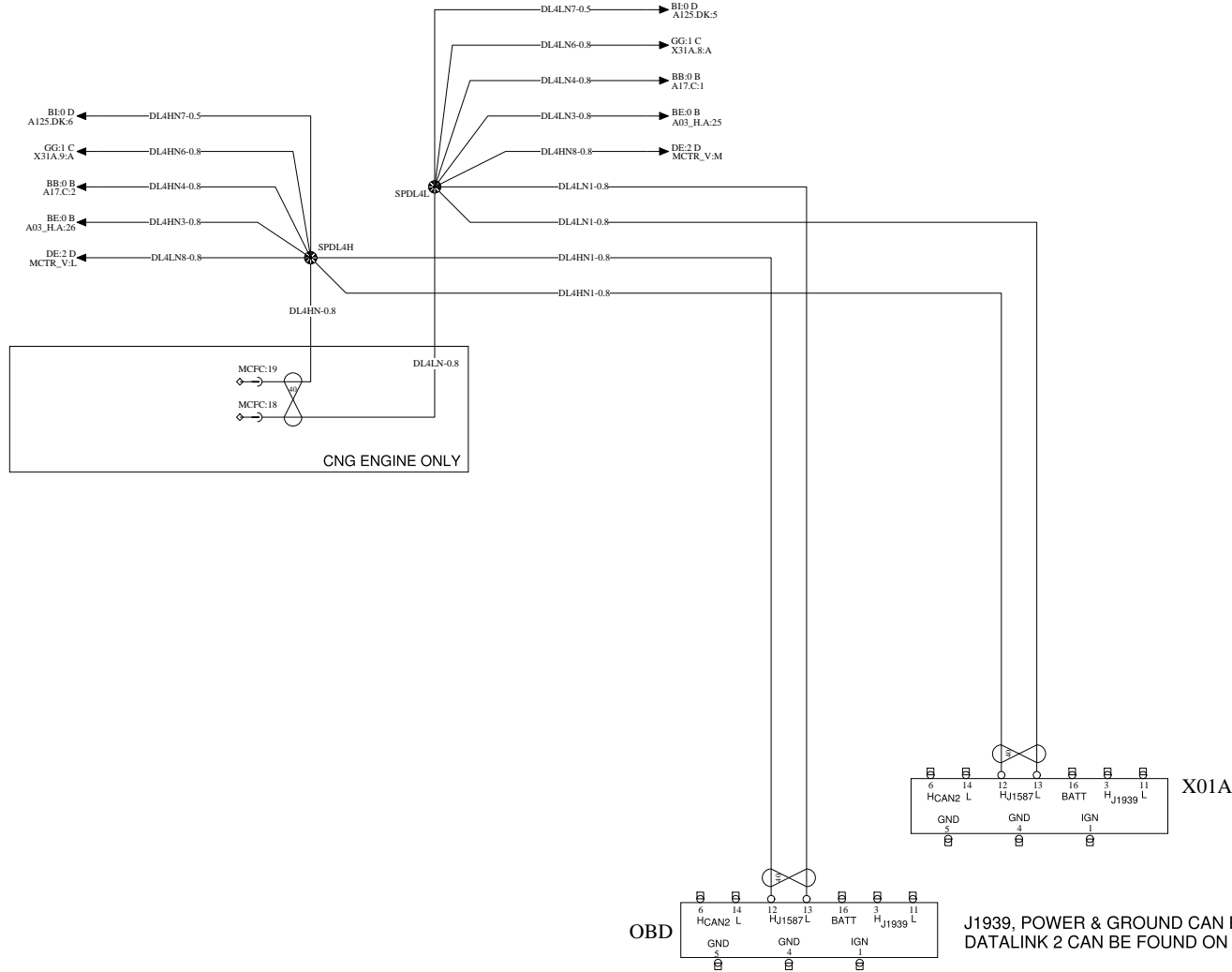
Issue
 01

Page
 68 (70)

DATALINK 4

WIRING DIAGRAM: XD

BATT
IGN
EMS
ILLUM



DATALINK 1 FOR MACK ENGINES CAN BE FOUND ON SHEET XA
 DATALINK 1 FOR CUMMINS ENGINES CAN BE FOUND ON SHEET XB
 DATALINK 2 CAN BE FOUND ON SHEET XC
 J1587 CAN BE FOUND ON SHEET XD
 DATALINK 10 FOR CUMMINS ENGINES CAN BE FOUND ON SHEET XE

J1939, POWER & GROUND CAN BE FOUND ON SHEET XA
 DATALINK 2 CAN BE FOUND ON SHEET XCB

MACK

Mack Trucks Inc.

Document title
 WIRING DIAGRAM - TYPE-OM W/ CE OPTIONS
 Document type
 PRODUCT SCHEMATIC

Drawing No.
 23353115

Issue
 01

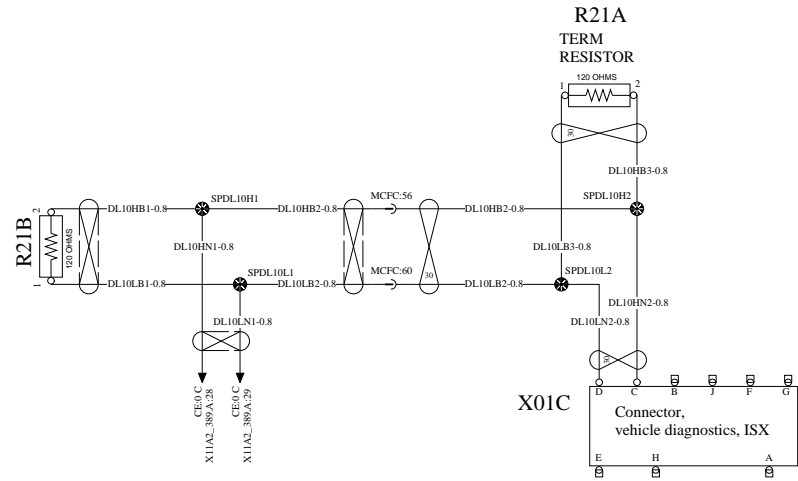
Page
 69 (70)

DATALINK 10 (CUMMINS ENGINE)

WIRING DIAGRAM: XE

BATT _____ BATT
 IGN _____ IGN
 EMS _____ EMS
 ILLUM _____ ILLUM

DATALINK 1 FOR MACK ENGINES CAN BE FOUND ON SHEET XA
 DATALINK 1 FOR CUMMINS ENGINES CAN BE FOUND ON SHEET XB
 DATALINK 2 CAN BE FOUND ON SHEET XC
 J1587 CAN BE FOUND ON SHEET XD
 DATALINK 10 FOR CUMMINS ENGINES CAN BE FOUND ON SHEET XE



MACK

Mack Trucks Inc.

Document title
 WIRING DIAGRAM - TYPE-OM W/ CE OPTIONS
 Document type
 PRODUCT SCHEMATIC

Drawing No.
 23353115

Issue
 01

Page
 70 (70)