

Engineering Release
Notice (ERN)

Location

Change Description

A = Added
D = Deleted

W = Was

Document Release Status

D-18638-55

See DCN

RELEASED

Date

Modification Count

WIRING DIAGRAM INDEX

NAME	DESCRIPTION	PAGE
BX-T	LR/MR/TE PRECO OVERLAY	2

The copying, distribution and utilization of this document as well as the communication of its contents to others without expressed authorization is prohibited. Offenders will be held liable for payment of damages. All rights reserved in the event of the grant of a patent, utility model or ornamental design registration.

Document title

LR/MR/TE PRECO OVERLAY WIRING DIAGRAM

The legal owner of this document is as stated under "Design Location" in KOLA and in the associated "Part Version Report"

Document type

PRODUCT SCHEMATICS

Document No

24196572

Issue

01

Volume

1 (1)

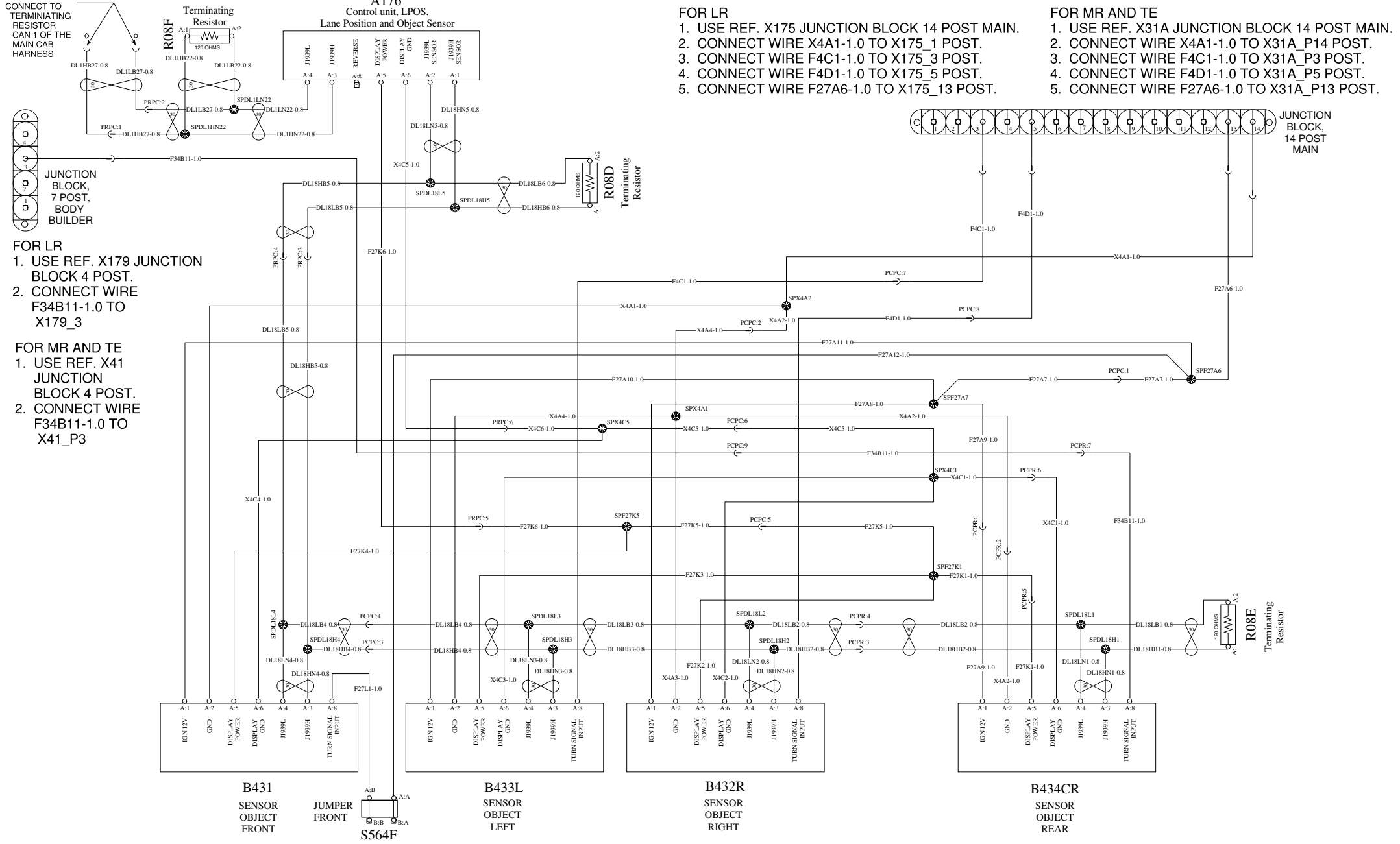
Sheet No

1 (2)

VOLVO
Group Trucks Technology

LR/MR/TE PRECO OVERLAY

WIRING DIAGRAM: BX-T



Volvo Truck Corporation	Document title	Document No	Issue	Volume	Page
	LR/MR/TE PRECO OVERLAY WIRING DIAGRAM	24196572	01	1 (1)	2 (2)
	Document type				
	PRODUCT SCHEMATIC				

0

1

2

3

4

BILL OF MATERIALS INDEX (VOL 2)

NAME	PAGE
COMPONENTS	2

NAME	PAGE
CABLES	3

NAME	PAGE
INLINES	4

NAME	PAGE
SPLICES	5

NAME	PAGE
REFERENCES	6

A

A

B

B

C

C

D

D

E

E

Volvo Truck Corporation

Document title LR/MR/TE PRECO OVERLAY WIRING DIAGRAM	Document No	Issue	Volume	Page
Document type PRODUCT SCHEMATIC	24196572	01	2 (2)	1 (6)

0

1

2

3

4

0

1

2

3

4

COMPONENTS

COMPONENT DESCRIPTION	PAGE
A176 Control unit, LPOS, Lane Position and Obj	BX-T 1 A
B431 SENSOR OBJECT FRONT	BX-T 0 D
B432R SENSOR OBJECT RIGHT	BX-T 2 D
B433L SENSOR OBJECT LEFT	BX-T 1 D
B434CR SENSOR OBJECT REAR	BX-T 3 D
R08D Terminating Resistor	BX-T 2 B

COMPONENT DESCRIPTION	PAGE
R08E Terminating Resistor	BX-T 4 D
R08F Terminating Resistor	BX-T 0 A
S564F JUMPER FRONT	BX-T 1 E
X31A JUNCTION BLOCK, 14 POST MAIN	BX-T 3 A
X41 JUNCTION BLOCK, 7 POST, BODY BUILDER	BX-T 0 B

A

A

B

B

C

C

D

D

E

E

Volvo Truck Corporation

Document title	LR/MR/TE PRECO OVERLAY WIRING DIAGRAM
Document type	PRODUCT SCHEMATIC

Document No

24196572

Issue

01

Volume

2 (2)

Page

2 (6)

0

1

2

3

4

0

1

2

3

4

CABLES

REF	HARNESS	PARTNO	PAGE
T30_1_915	PRECO_ROOF	30T_GXL_2_Y/GN_0.8	BX-T 0 A
T30_1_943	PRECO_CHASSIS	30T_GXL_2_Y/GN_0.8	BX-T 1 D
T30_1_1520	PRECO_CHASSIS	30T_GXL_2_Y/GN_0.8	BX-T 2 D
T30_2_907	PRECO_CAB	30T_GXL_2_Y/GN_0.8	BX-T 1 C
T30_2_915	PRECO_ROOF	30T_GXL_2_Y/GN_0.8	BX-T 0 A
T30_2_920	PRECO_ROOF	30T_GXL_2_Y/GN_0.8	BX-T 1 B
T30_3_915	PRECO_CAB	30T_GXL_2_Y/GN_0.8	BX-T 0 A
T30_3_920	PRECO_ROOF	30T_GXL_2_Y/GN_0.8	BX-T 1 A
T30_5_920	PRECO_ROOF	30T_GXL_2_Y/GN_0.8	BX-T 0 A

REF	HARNESS	PARTNO	PAGE
T30_7_920	PRECO_CAB	30T_GXL_2_Y/GN_0.8	BX-T 1 D
T30_7_1538	PRECO_ROOF	30T_GXL_2_Y/GN_0.8	BX-T 1 B
T30_8_920	PRECO_CAB	30T_GXL_2_Y/GN_0.8	BX-T 1 D
T30_9_920	PRECO_CHASSIS	30T_GXL_2_Y/GN_0.8	BX-T 1 D
T30_10_920	PRECO_CHASSIS	30T_GXL_2_Y/GN_0.8	BX-T 2 D
T30_12_920	PRECO_CHASSIS	30T_GXL_2_Y/GN_0.8	BX-T 2 D
T30_13_920	PRECO_REAR	30T_GXL_2_Y/GN_0.8	BX-T 3 D
T30_14_920	PRECO_REAR	30T_GXL_2_Y/GN_0.8	BX-T 3 D
T30_15_920	PRECO_REAR	30T_GXL_2_Y/GN_0.8	BX-T 4 D

Volvo Truck Corporation

Document title
LR/MR/TE PRECO OVERLAY WIRING DIAGRAM

Document type
PRODUCT SCHEMATIC

Document No

24196572

Issue

01

Volume

2 (2)

Page

3 (6)

0

1

2

3

4

0

1

2

3

4

INLINES

INLINE HARNESS		PN
PCPC	PRECO_CAB	874404
PCPC	PRECO_CHASSIS	874405

INLINE HARNESS		PN
PCPR	PRECO_REAR	992170
PCPR	PRECO_CHASSIS	992167

INLINE HARNESS		PN
PRPC	PRECO_CAB	874143
PRPC	PRECO_ROOF	874142

A

A

B

B

C

C

D

D

E

E

Volvo Truck Corporation

Document title	LR/MR/TE PRECO OVERLAY WIRING DIAGRAM
----------------	---------------------------------------

Document type	PRODUCT SCHEMATIC
---------------	-------------------

Document No

24196572

Issue

01

Volume

2 (2)

Page

4 (6)

0

1

2

3

4

0

1

2

3

4

SPLICES

SPLICE	PAGE
SPDL1HN22 () BX-T 0 A	
SPDL1LN22 () BX-T 0 A	
SPDL18H1 () BX-T 3 D	
SPDL18H2 () BX-T 2 D	

SPLICE	PAGE
SPDL18H3 () BX-T 1 D	
SPDL18H4 () BX-T 1 D	
SPDL18H5 () BX-T 1 B	
SPDL18L1 () BX-T 3 D	

SPLICE	PAGE
SPDL18L2 () BX-T 2 D	
SPDL18L3 () BX-T 1 D	
SPDL18L4 () BX-T 1 D	
SPDL18L5 () BX-T 1 B	

SPLICE	PAGE
SPF27A6 () BX-T 4 C	
SPF27A7 () BX-T 3 C	
SPF27K1 () BX-T 3 D	
SPF27K5 () BX-T 2 C	

SPLICE	PAGE
SPX4A1 () BX-T 2 C	
SPX4A2 () BX-T 2 B	
SPX4C1 () BX-T 3 C	
SPX4C5 () BX-T 2 C	

Volvo Truck Corporation

Document title
LR/MR/TE PRECO OVERLAY WIRING DIAGRAM

Document type
PRODUCT SCHEMATIC

Document No

24196572

Issue

01

Volume

2 (2)

Page

5 (6)

0

1

2

3

4

REFERENCES

REF	DESCRIPTION	PAGE
A176	Control unit, LPOS, Lane Position and Obj	BX-T 1 A
B431	SENSOR OBJECT FRONT	BX-T 0 D
B432R	SENSOR OBJECT RIGHT	BX-T 2 D
B433L	SENSOR OBJECT LEFT	BX-T 1 D
B434CR	SENSOR OBJECT REAR	BX-T 3 D
PCPC:1		BX-T 3 C
PCPC:2		BX-T 2 B
PCPC:3		BX-T 1 D
PCPC:4		BX-T 1 D
PCPC:5		BX-T 2 C
PCPC:6		BX-T 2 C
PCPC:7		BX-T 3 B
PCPC:8		BX-T 3 B
PCPC:9		BX-T 2 C
PCPR:1		BX-T 3 C
PCPR:2		BX-T 3 D
PCPR:3		BX-T 3 D
PCPR:4		BX-T 3 D
PCPR:5		BX-T 3 D
PCPR:6		BX-T 3 C
PCPR:7		BX-T 3 C
PRPC:1		BX-T 0 A
PRPC:2		BX-T 0 A
PRPC:3		BX-T 1 B
PRPC:4		BX-T 1 B
PRPC:5		BX-T 1 C
PRPC:6		BX-T 1 C
R08D	Terminating Resistor	BX-T 2 B
R08E	Terminating Resistor	BX-T 4 D
R08F	Terminating Resistor	BX-T 0 A
S564F	JUMPER FRONT	BX-T 1 E
SPDL1HN22		BX-T 0 A
SPDL1LN22		BX-T 0 A
SPDL18H1		BX-T 3 D
SPDL18H2		BX-T 2 D
SPDL18H3		BX-T 1 D
SPDL18H4		BX-T 1 D
SPDL18H5		BX-T 1 B

REF	DESCRIPTION	PAGE
SPDL18L1		BX-T 3 D
SPDL18L2		BX-T 2 D
SPDL18L3		BX-T 1 D
SPDL18L4		BX-T 1 D
SPDL18L5		BX-T 1 B
SPF27A6		BX-T 4 C
SPF27A7		BX-T 3 C
SPF27K1		BX-T 3 D
SPF27K5		BX-T 2 C
SPX4A1		BX-T 2 C
SPX4A2		BX-T 2 B
SPX4C1		BX-T 3 C
SPX4C5		BX-T 2 C
T30_1_915	J1939	BX-T 0 A
T30_1_943	J1939	BX-T 1 D
T30_1_1520	J1939	BX-T 2 D
T30_2_907	J1939	BX-T 1 C
T30_2_915	J1939	BX-T 0 A
T30_2_920	J1939	BX-T 1 B
T30_3_915	J1939	BX-T 0 A
T30_3_920	J1939	BX-T 1 A
T30_5_920	J1939	BX-T 0 A
T30_7_920	J1939	BX-T 1 D
T30_7_1538	J1939	BX-T 1 B
T30_8_920	J1939	BX-T 1 D
T30_9_920	J1939	BX-T 1 D
T30_10_920	J1939	BX-T 2 D
T30_12_920	J1939	BX-T 2 D
T30_13_920	J1939	BX-T 3 D
T30_14_920	J1939	BX-T 3 D
T30_15_920	J1939	BX-T 4 D
X31A	JUNCTION BLOCK, 14 POST MAIN	BX-T 3 A
X31A_P3	JUNCTION BLOCK 14 POST STUD 3	BX-T 3 B
X31A_P5	JUNCTION BLOCK 14 POST STUD 5	BX-T 3 B
X31A_P13	JUNCTION BLOCK 14 POST STUD 13	BX-T 4 B
X31A_P14	JUNCTION BLOCK 14 POST STUD 14	BX-T 4 B
X41	JUNCTION BLOCK, 7 POST, BODY BUILDER	BX-T 0 B
X41_P3	JUNCTION BLOCK 7 POST STUD 3	BX-T 0 B

Volvo Truck Corporation

Document title	LR/MR/TE PRECO OVERLAY WIRING DIAGRAM
Document type	PRODUCT SCHEMATIC

Document No	Issue	Volume	Page
24196572	01	2 (2)	6 (6)