

Engineering Release Notice (ERN)	Location	Change Description	A = Added D = Deleted	W = Was	Document Release Status RELEASED
D-15704-42		SEE DCN			Date Modification Count

WIRING DIAGRAM INDEX, 12V

NAME	DESCRIPTION	PAGE	NAME	DESCRIPTION	PAGE
AA	POWER DISTRIBUTION 1/2	2	EC	VEHICLE ECU (ECS)	43
AB	POWER DISTRIBUTION 2/2	3	FA	AIR DRYER/HEATED DRAIN	44
AC	KEY SW., START & CHARGING	4	FB	CHASSIS SOLENOIDS	45
AD	GROUNDING 1/2	5	FD	PARKER PTO	46
AE	BATTERY CONFIGURATION	6	FE	CENTRAL TIRE INFLATION	47
AF	GROUNDING 2/2 CUMMINS	7	GA	LIGHTING CONTROL	48
AG	STARTING AND CHARGING CUMMINS	8	GD	LIGHTING-FORWARD/SIGNAL (CXU, GU7, GU8)	49
AH	EARC CUMMINS	9	GE	LIGHTING-FORWARD/SIGNAL (CHU ONLY)	50
BA	VEHICLE ECU 1/4	10	GF	LIGHTING-TAIL/PERIMETER	51
BB	VEHICLE ECU 2/4	11	GG	TRAILER LIGHTING CONTROL	52
BC	VEHICLE ECU 3/4- DCL CONNECTOR	12	GH	INTERIOR LIGHTING	53
BD	VEHICLE ECU 4/4	13	GI	SNOW PLOW PREP CONNECTOR	54
BE	INSTRUMENT CLUSTER 1/3	14	GJ	TRAILER RECEPTACLE CENTER PIN HOT	55
BF	INSTRUMENT CLUSTER 2/3	15	GK	TITAN LIGHTING OPTIONS	56
BG	INSTRUMENT CLUSTER 3/3	16	GL	LIGHTING - BEACON LAMPS	57
BH	ALLISON BODY BUILDER INTERFACE	17	GM	LIGHTING: ROOF W / OPTIONS	58
BI	INSIDE-OUTSIDE AIR TEMP. GAUGE	18	GP	WIPER WASHER	59
BJ	BODY BUILDER CIRCUITS	19	GQ	HORN WIRING/SPOT LAMP	60
BK	BODY BUILDER CIRCUITS-2010 BODYLINK	20	HA	CLIMATE CONTROL	61
BL	ENGINE BRAKE CONTROL M-DRIVE	21	HB	APADS WIRING	62
BM	TELEMATICS GATEWAY (TGW)	22	HC	HEATED SEATS & WINDSHIELD,AUX FAN 1/2	63
BN	BODY BUILDER CIRCUITS	23	HD	SLEEPER CLIMATE CONTROL	64
BU	QUALCOMM MCP 100 W/SLEEPER	24	HE	SLEEPER FUNCTIONS	65
BV	QUALCOMM MCP 110 OR 200 W/SLEEPER	25	HF	120V AC SYSTEM INVERTER	66
BW	QUALCOMM MCP 100 W/DAYCAB	26	HG	HEATED SEATS & WINDSHIELD, AUX FAN 2/2	67
BX	QUALCOMM MCP 110 OR 200 W/DAYCAB	27	IA	RH & LH MOTORIZED WINDOWS	68
CA	ENGINE INTERFACE MP11	28	IC	MIRROR CONTROL 1/2	69
CB	DPF REGENERATION SYSTEM	29	ID	RH ONLY MOTORIZED WINDOW & DOOR CNTR.	70
CC	ENGINE HEATER	30	IE	RH & LH DOOR CONTROL	71
CD	UREA DOSING SYSTEM	31	JA	ADAPTIVE CRUISE CONTROL 1/2	72
CE	ENGINE CONTROL ISL US13 1/2	32	JB	ADAPTIVE CRUISE CONTROL 2/2	73
CF	ENGINE CONTROL ISL US13 2/2	33	KA	AUDIO SYSTEM	74
CG	ENGINE CONTROL ISX12G 1/2	34	KC	POWER OUTLETS CONNS. FLOOR LIGHTING	75
CH	ENGINE CONTROL ISX12G 2/2	35	NA	IGNITION & BATTERY SW & SPARE CONNS	76
DA	TRANSMISSION M-DRIVE	36	NB	JUNCTION POSTS	77
DB	TRANSMISSION CNTR:AUTOSHIFT/ULTRASHIFT III	37	NC	ADDITIONAL IGN. & BATTERY SWITCHES 1/3	78
DC	TRANSMISSION CNTL:4 GENERATION 1/2	38	ND	H.D. POWER LIFT GATE	79
DD	TRANSMISSION CNTL:4 GENERATION 2/2	39	NE	ADDITIONAL IGN & BATTERY SWITCHES 2/3	80
DE	TRANSMISSION CONTROLS M-DRIVE	40	NF	ADDITIONAL IGN & BATTERY SWITCHES 3/3	81
EA	ABS-WABCO	41	XA	DATA LINK / DIAGNOSTICS	82
EB	ABS BENDIX WITH ESP (EATON)	42	XB	J1939 CAN 1 DIAGRAM	83

The copying, distribution and utilization of this document as well as the communication of its contents to others without expressed authorization is prohibited. Offenders will be held liable for payment of damages. All rights reserved in the event of the grant of a patent, utility model or ornamental design registration.

Document Title
WIRING DIAGRAM
12V MACK, 2013BP
PC28, ENG-CU12

MACK

Mack Trucks, Inc.

Document Type
TECHNICAL REGULATION

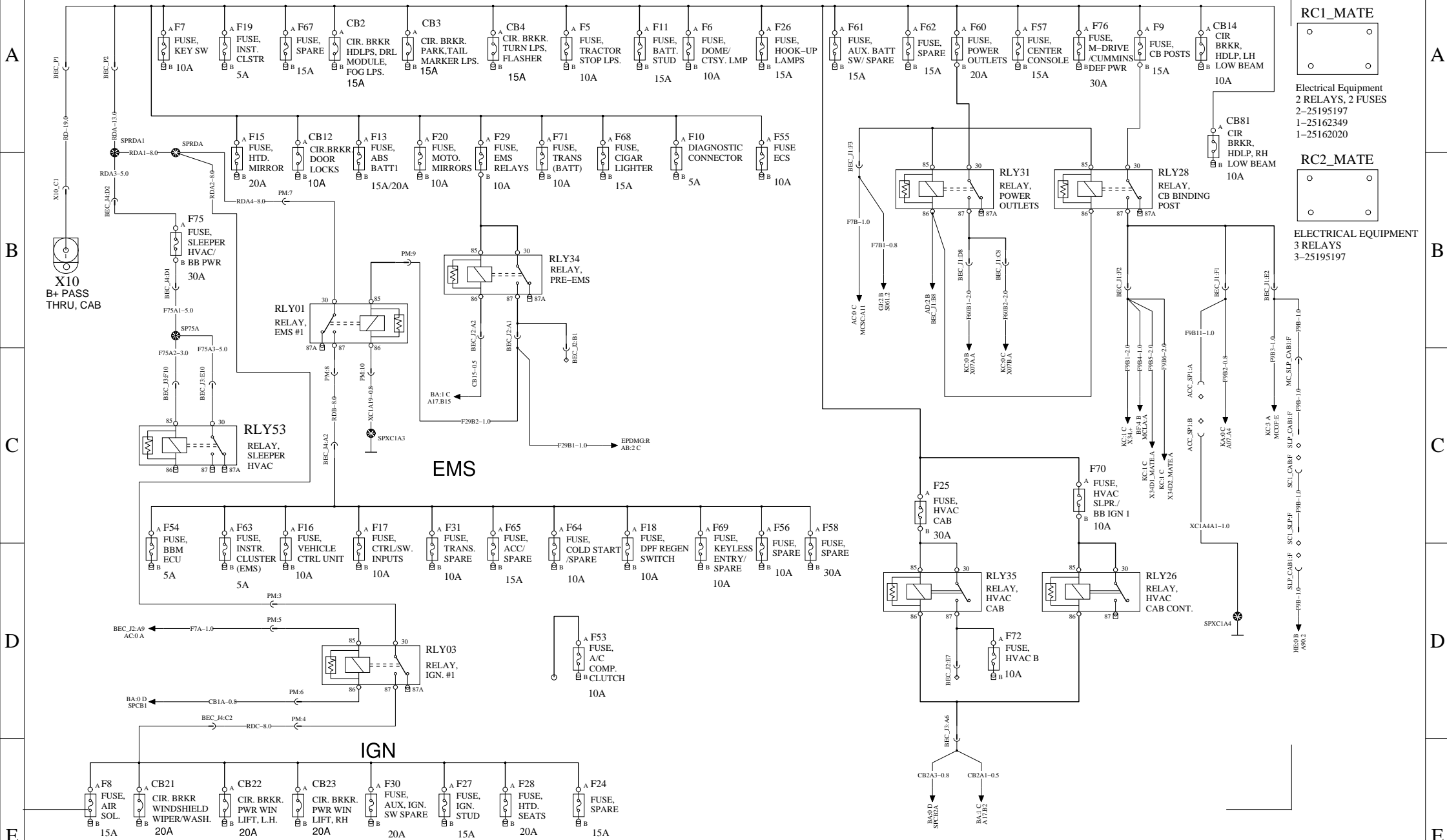
Owner Domain: Document Prefix

Document No	Issue Index	Volume No	Page No
22234428	02	01	1(83)

POWER DISTRIBUTION 1/2

BATT

WIRING DIAGRAM: AA



VOLVO

Group Trucks Technology

Document title
 WIRING DIAGRAM - PC28 - 12V MACK - 2013BP - ENG-CU12
 Document type
 PRODUCT SCHEMATIC

Document No

22234428

Issue

02

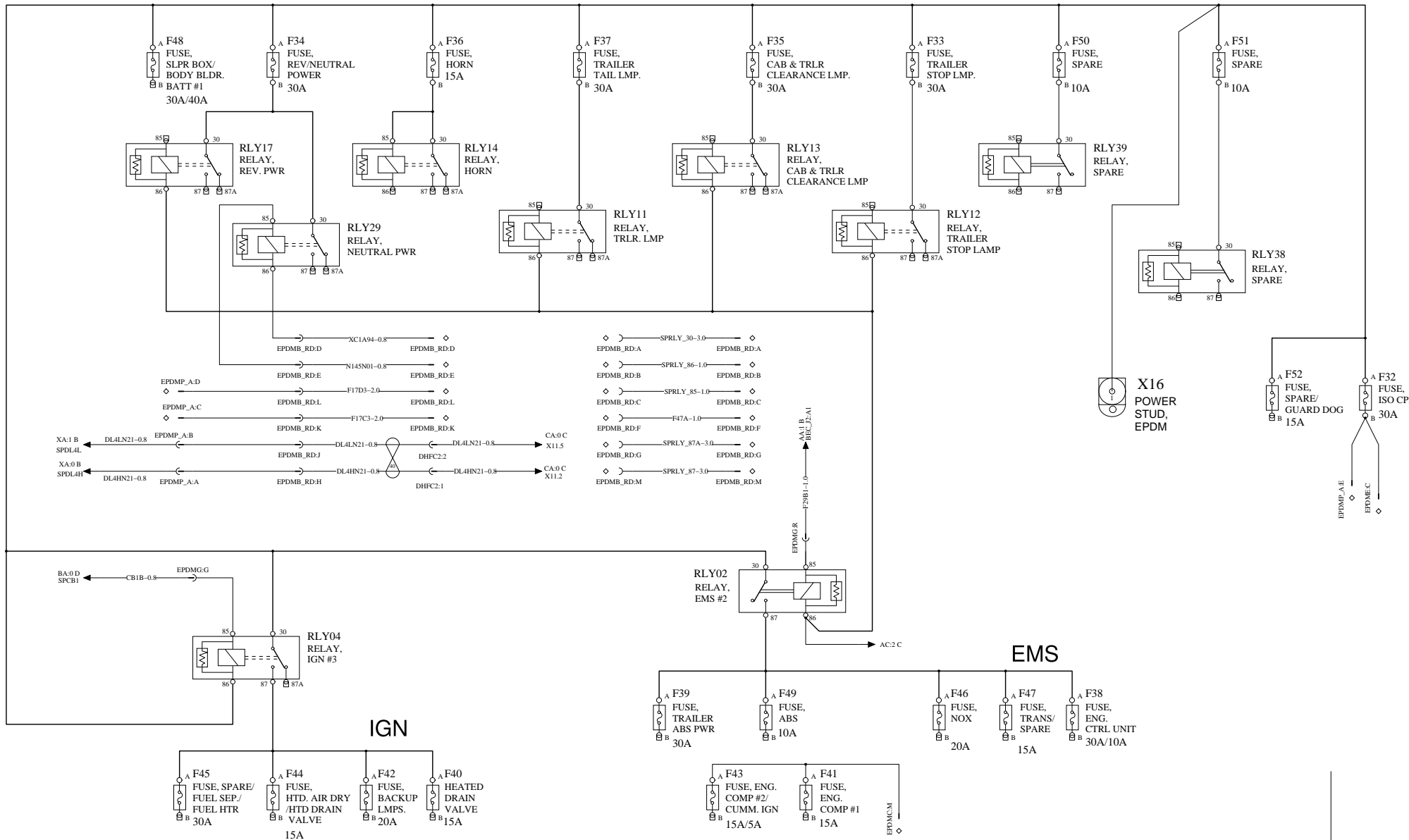
Volume

01

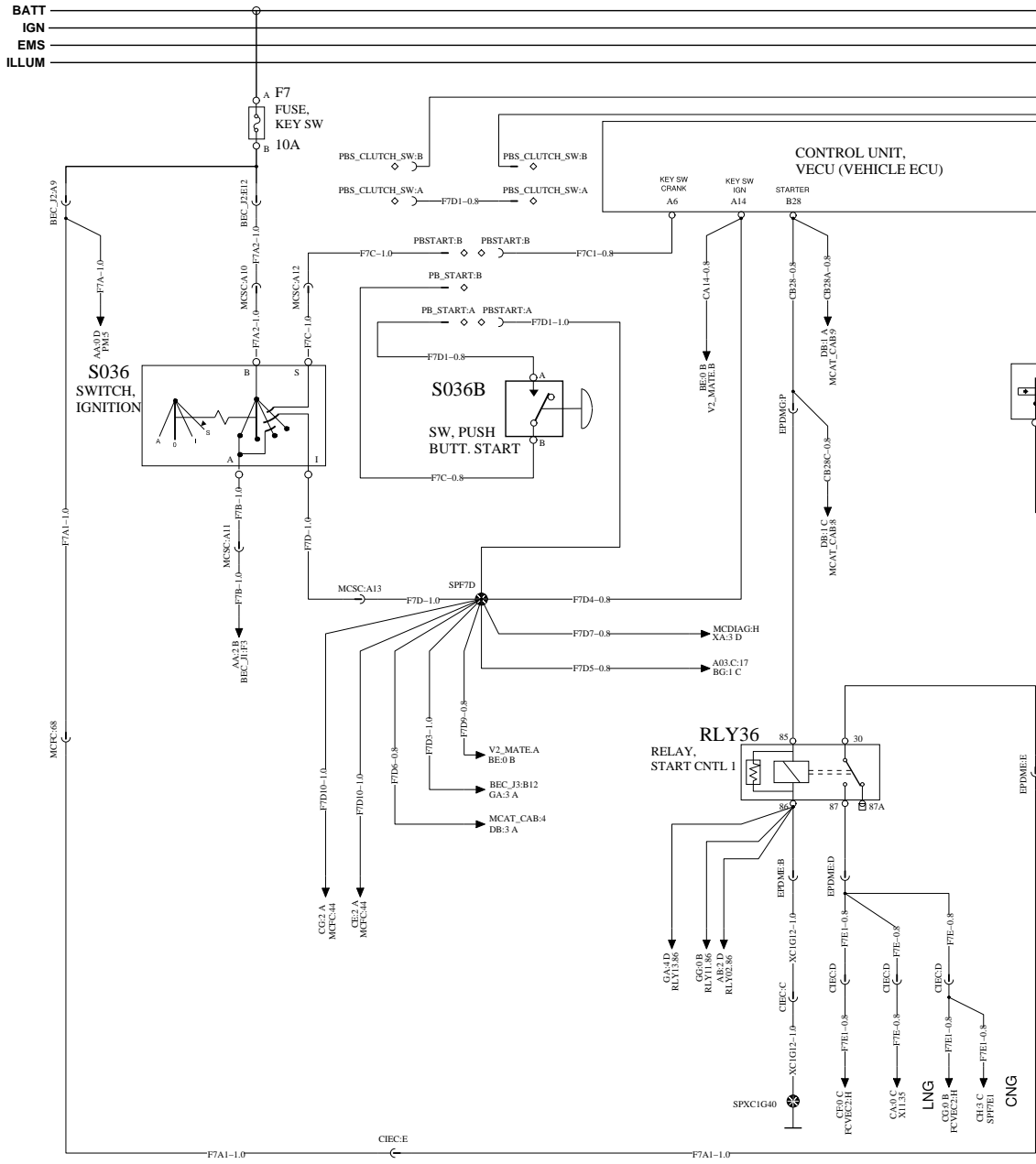
Page

2 (83)

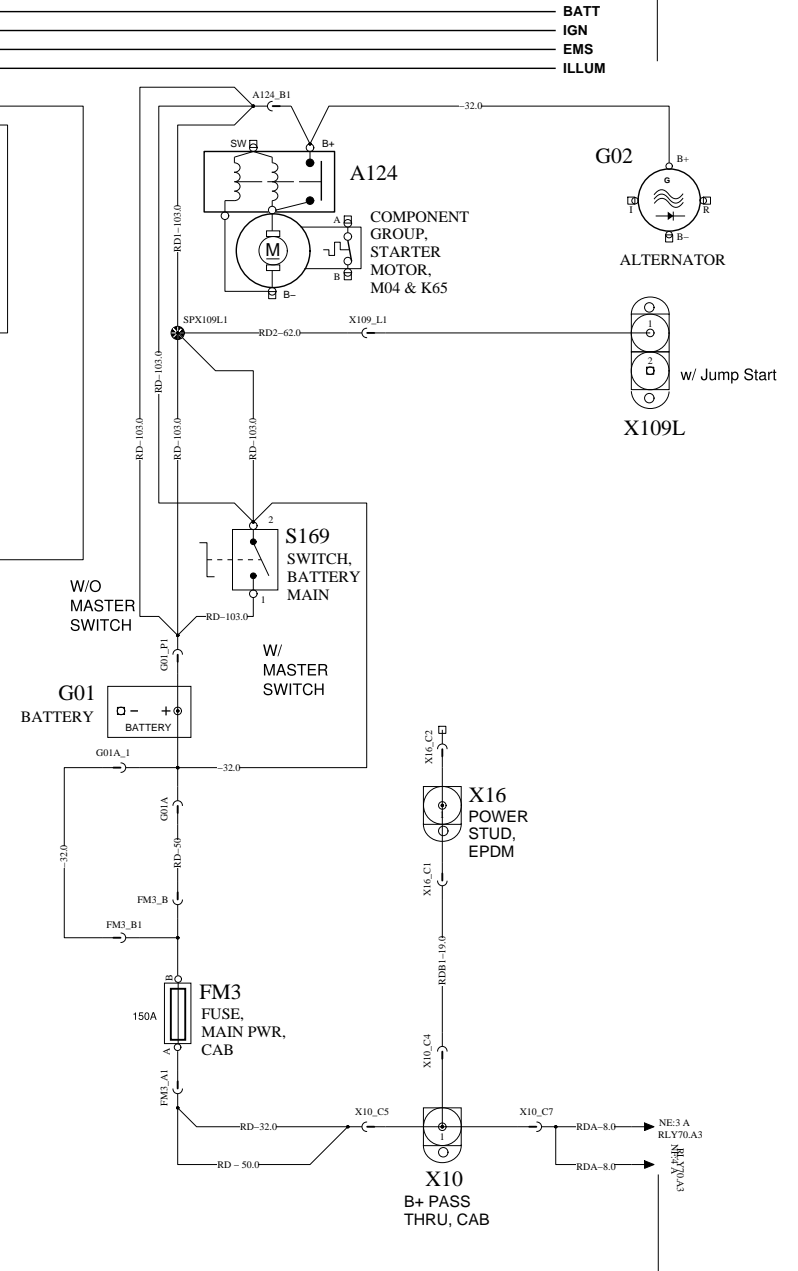
BATT



KEY SW. , START & CHARGING



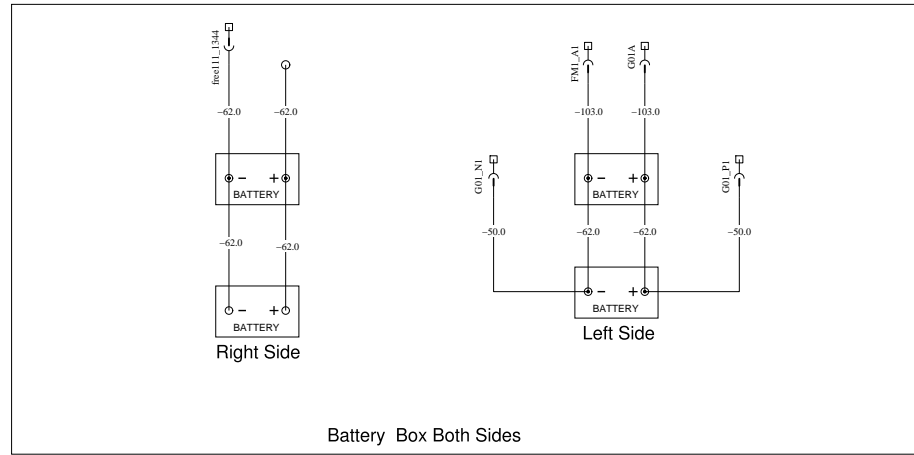
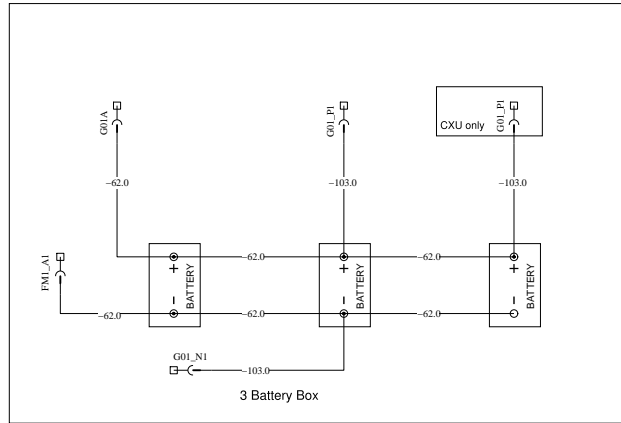
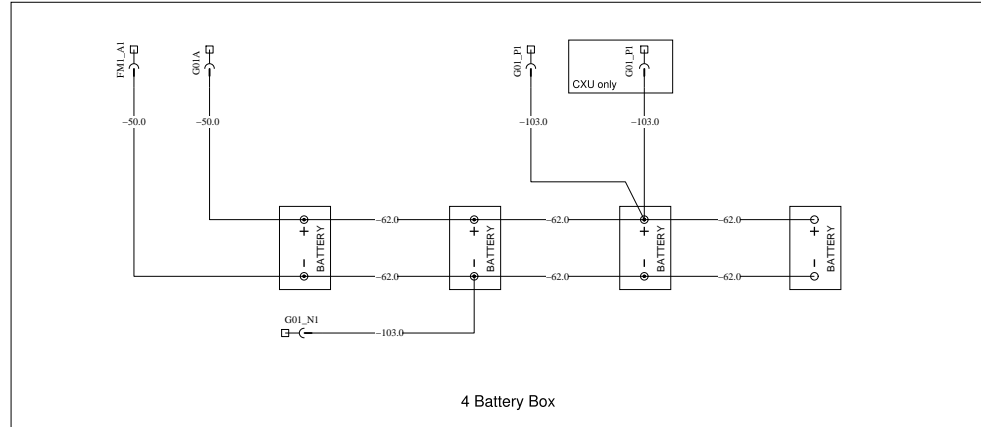
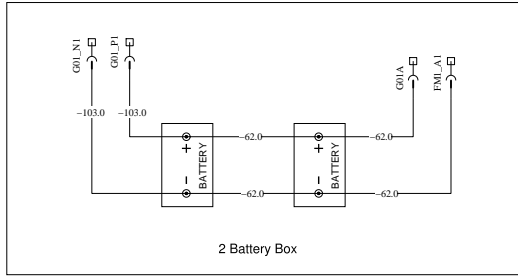
WIRING DIAGRAM: AC



BATTERY CONFIGURATION

WIRING DIAGRAM: AE

BATT _____ **BATT**
IGN _____ **IGN**
EMS _____ **EMS**
ILLUM _____ **ILLUM**



Group Trucks Technology

Document title
WIRING DIAGRAM - PC28 - 12V MACK - 2013BP - ENG-CU12
 Document type
PRODUCT SCHEMATIC

Document No
22234428

Issue
02

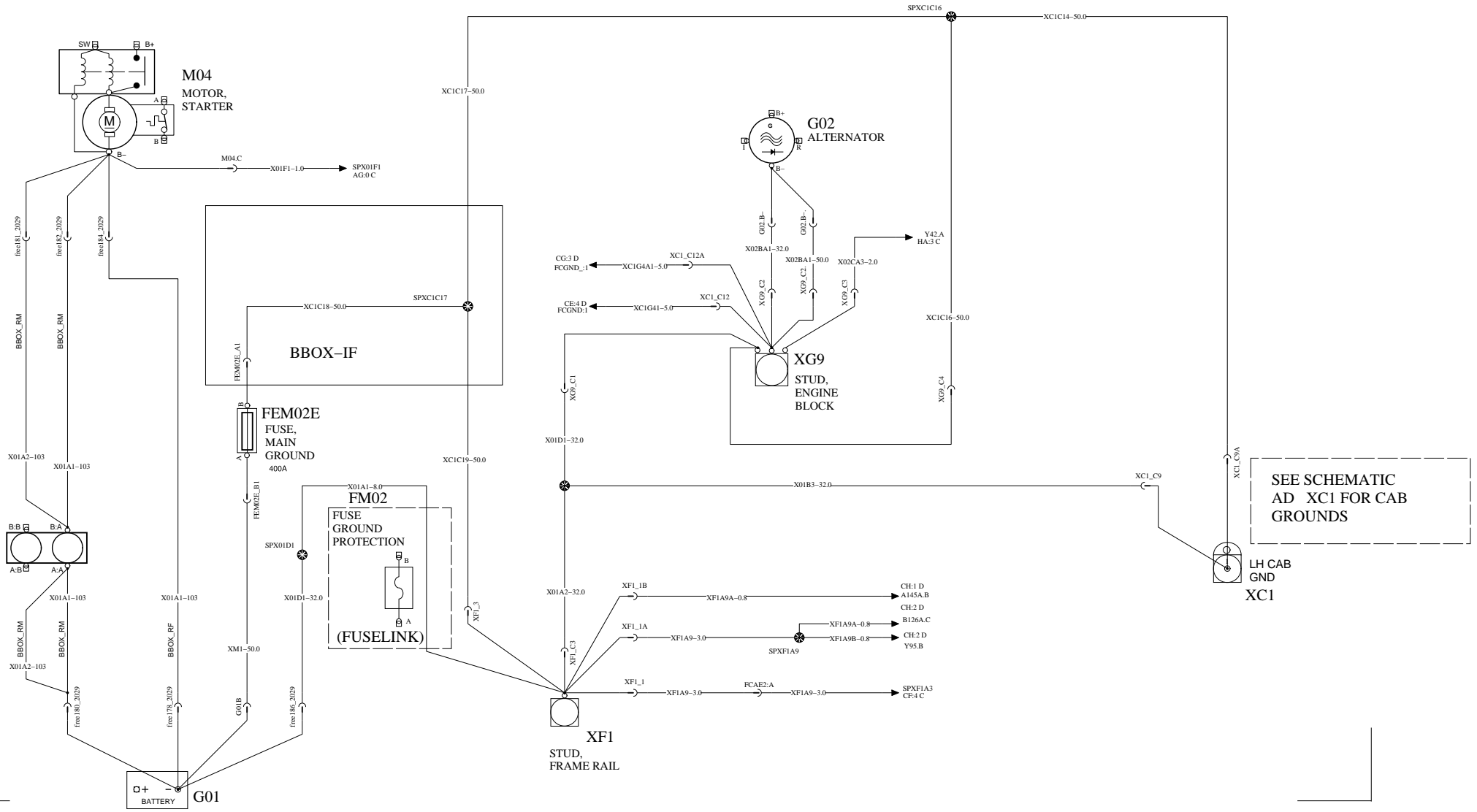
Volume
01

Page
6 (83)

GROUNDING 2/2, CUMMINS

WIRING DIAGRAM: AF

BATT	BATT
IGN	IGN
DR	DR
ACC	ACC
ILLUM	ILLUM



SEE SCHEMATIC
AD XC1 FOR CAB
GROUNDS



Group Trucks Technology

Document title WIRING DIAGRAM - PC28 - 12V MACK - 2013BP - ENG-CU12
Document type PRODUCT SCHEMATIC

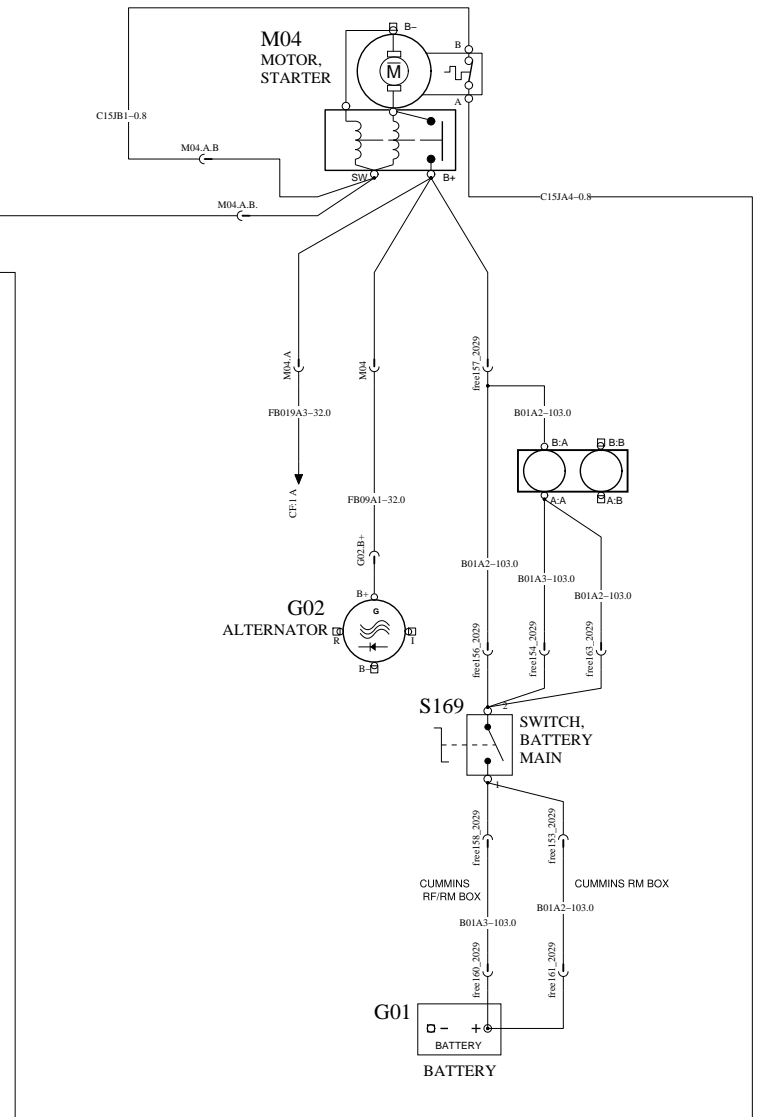
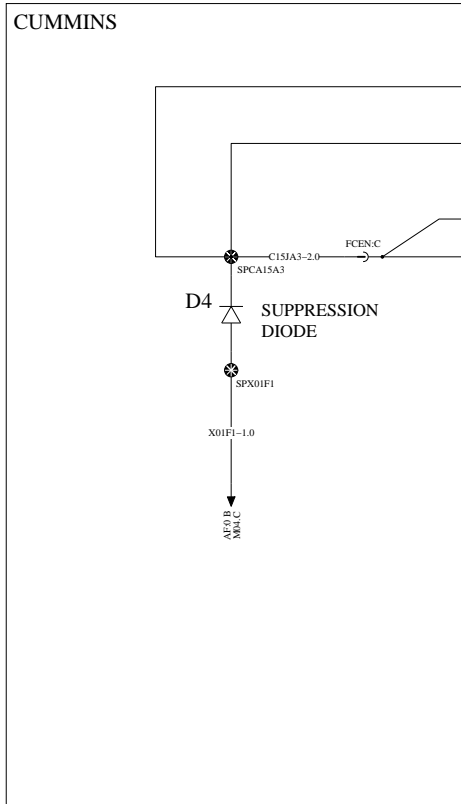
Document No 22234428	Issue 02	Volume 01	Page 7 (83)
--------------------------------	--------------------	---------------------	-----------------------

STARTING AND CHARGING, CUMMINS

WIRING DIAGRAM: AG

BATT
IGN
DR
ACC
ILLUM

BATT
IGN
DR
ACC
ILLUM



Group Trucks Technology

Document title
WIRING DIAGRAM - PC28 - 12V MACK - 2013BP - ENG-CU12
Document type
PRODUCT SCHEMATIC

Document No

22234428

Issue

02

Volume

01

Page

8 (83)

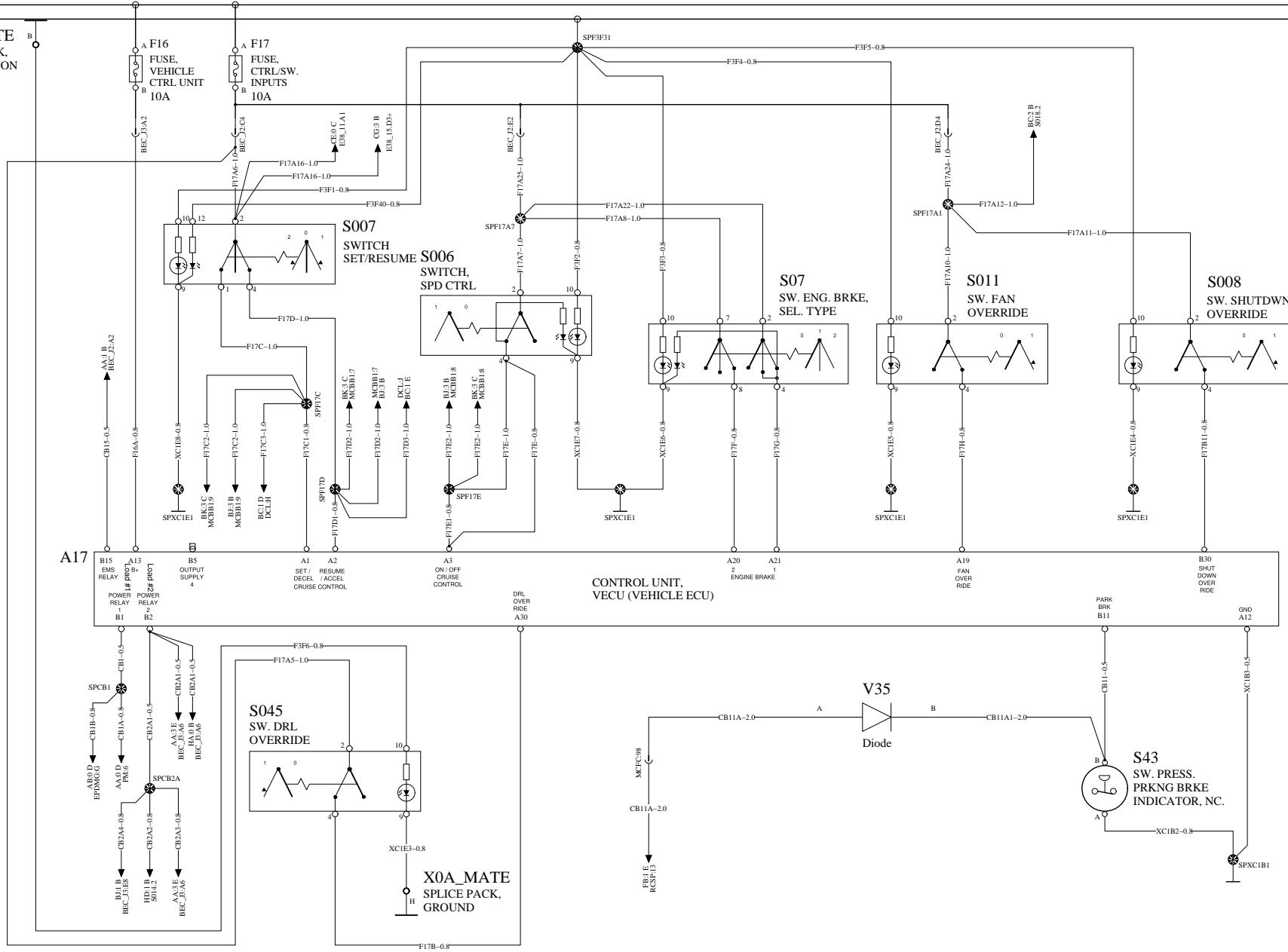
VEHICLE ECU 1/4

WIRING DIAGRAM: BA

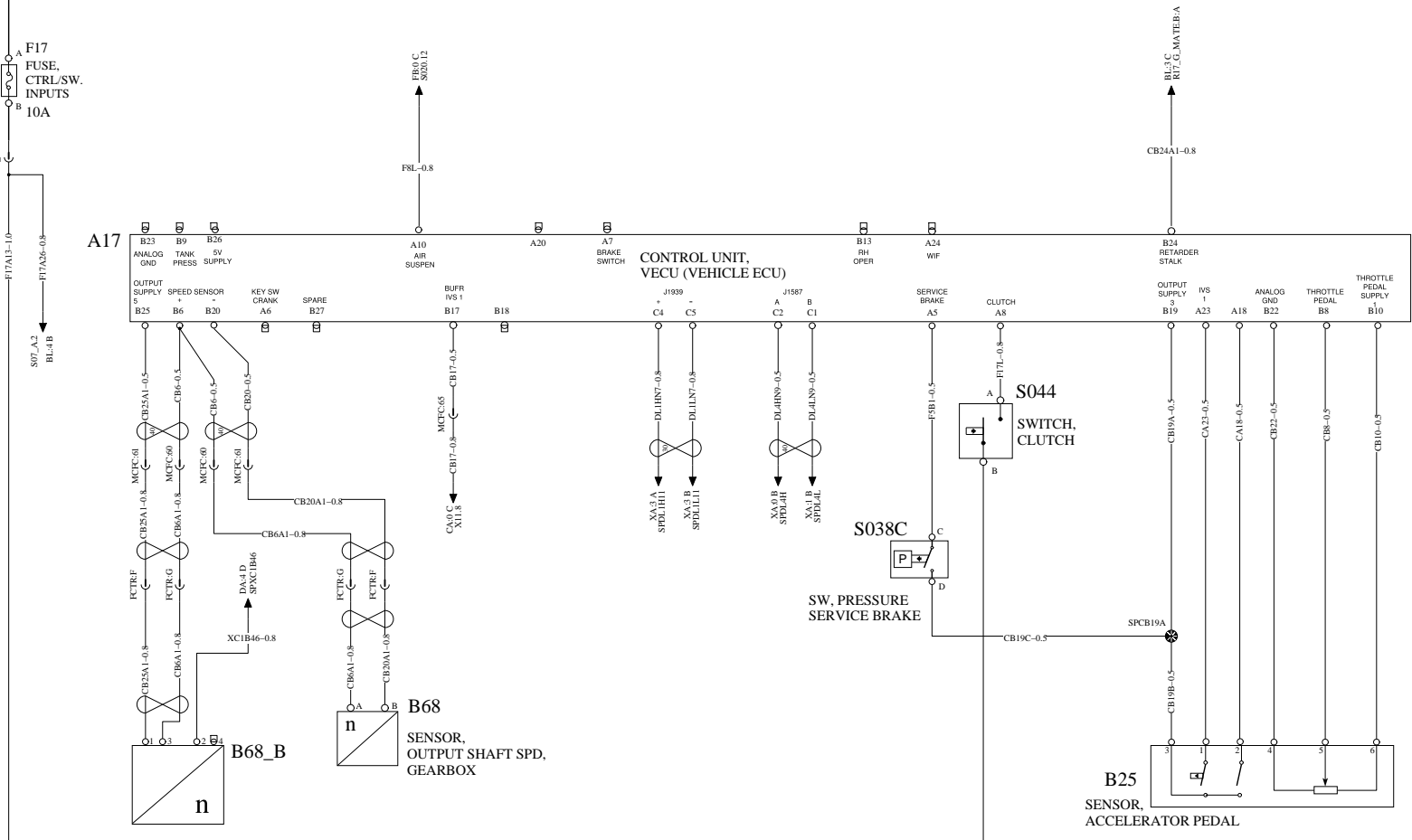
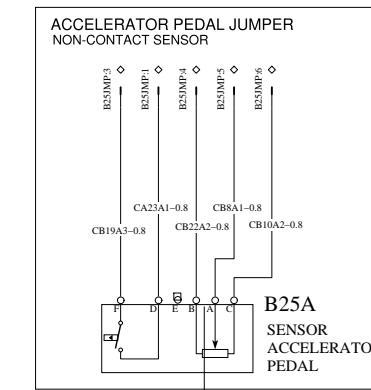
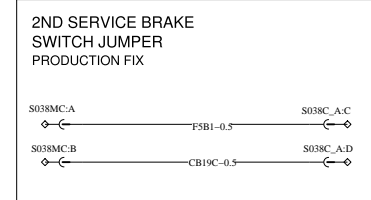
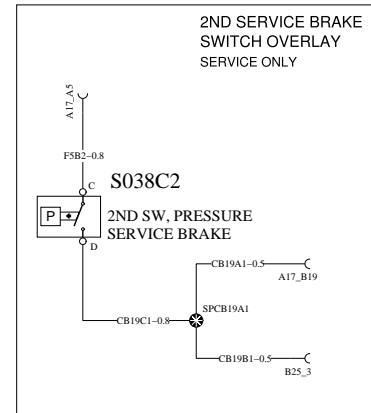
BATT
IGN
EMS
ILLUM

XOC_MATE
SPLICE PACK,
ILLUMINATION

BATT
IGN
EMS
ILLUM



BATT
IGN
EMS
ILLUM

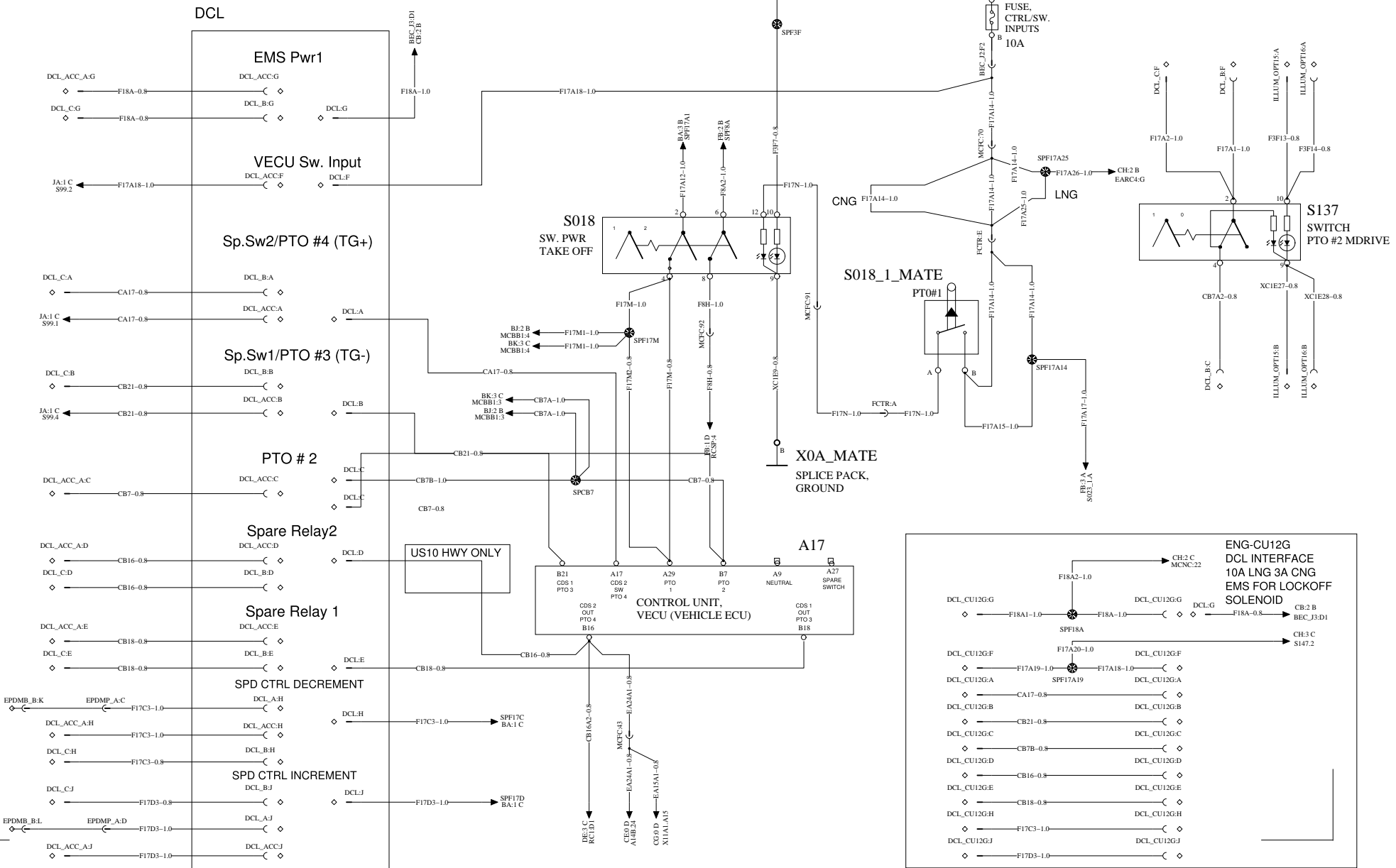


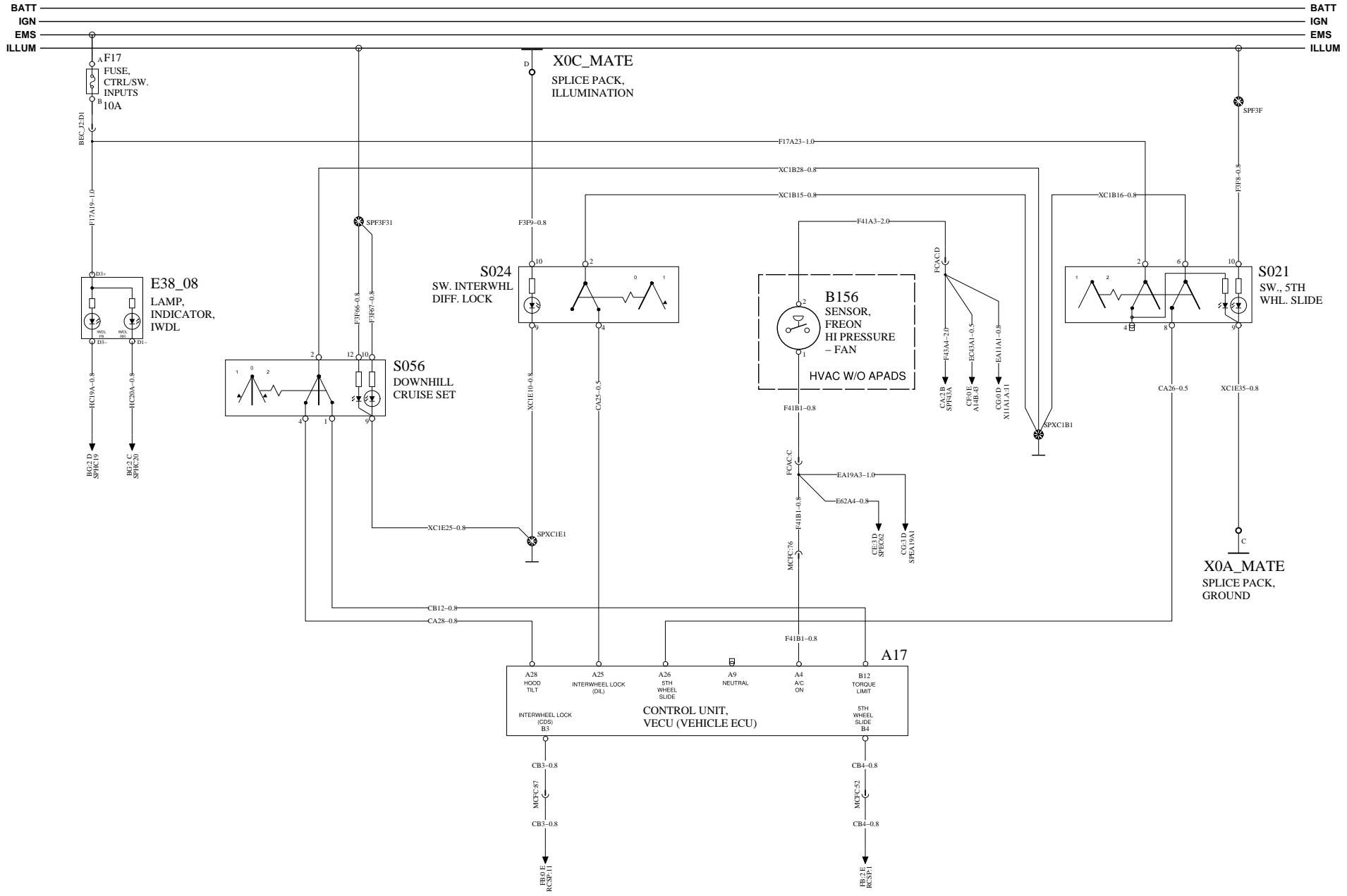
VEHICLE ECU 3/4 – DCL CONNECTOR

WIRING DIAGRAM: BC

BATT
IGN
EMS
ILLUM

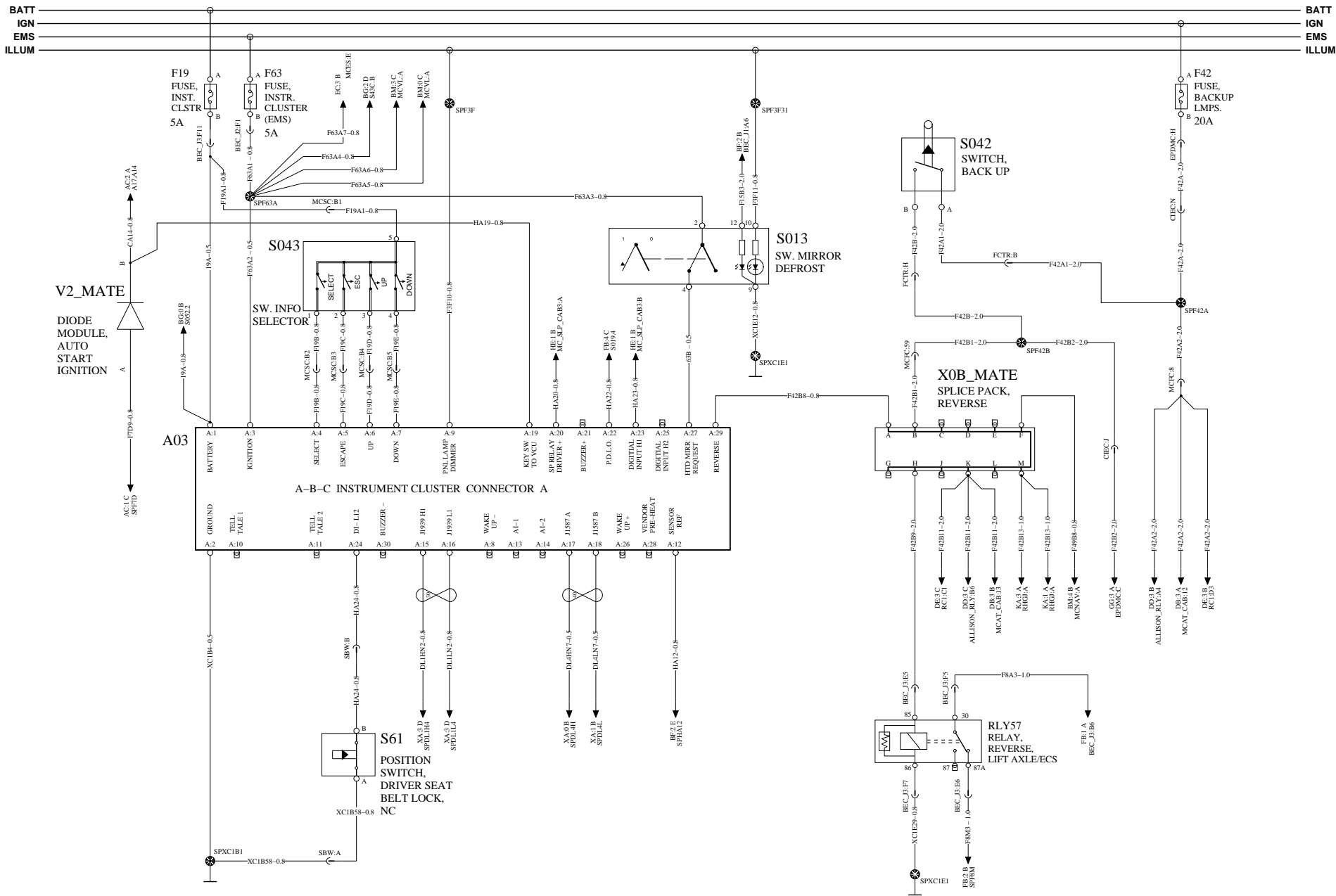
BATT
IGN
EMS
ILLUM



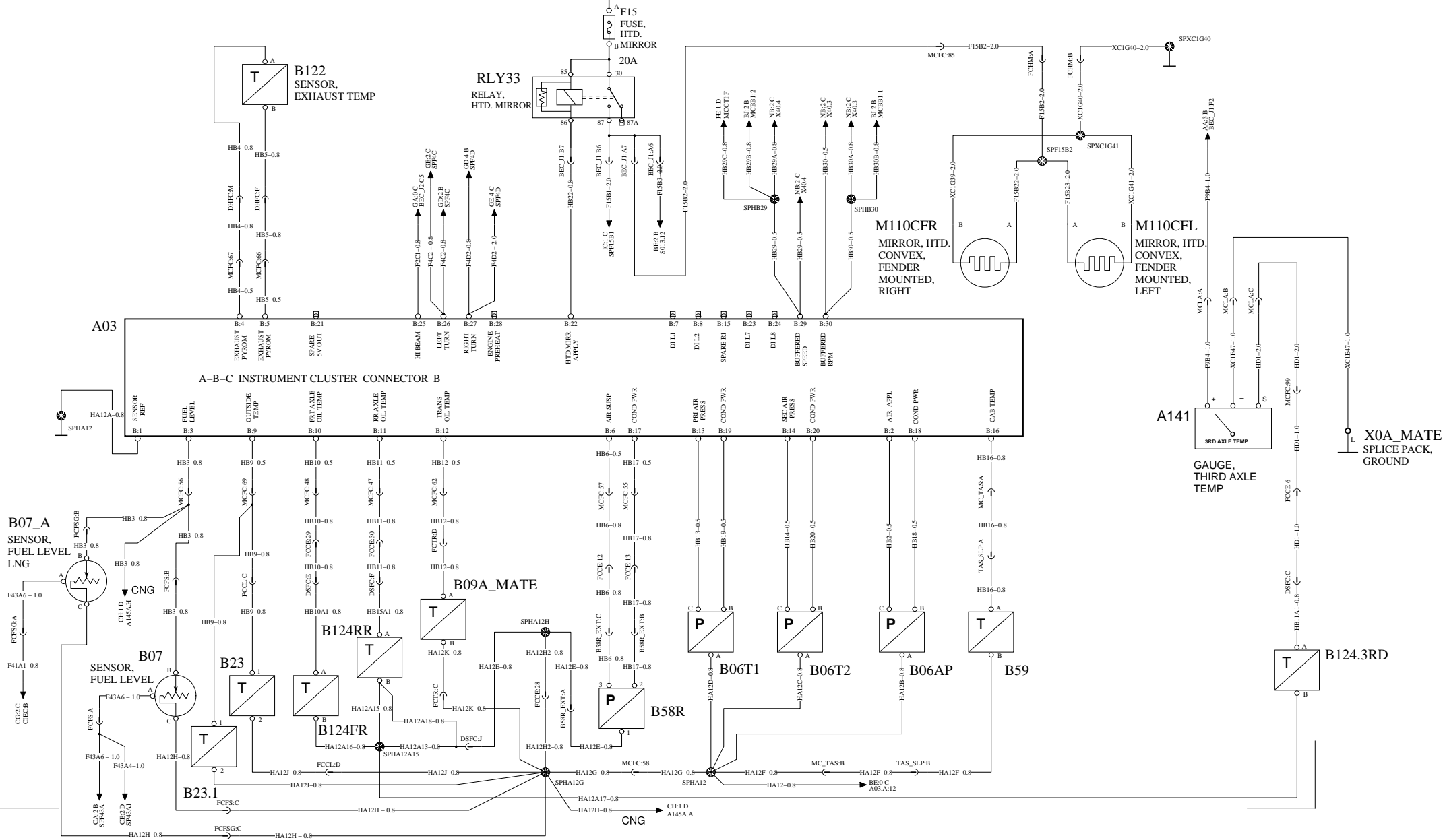


INSTRUMENT CLUSTER 1/3

WIRING DIAGRAM: BE

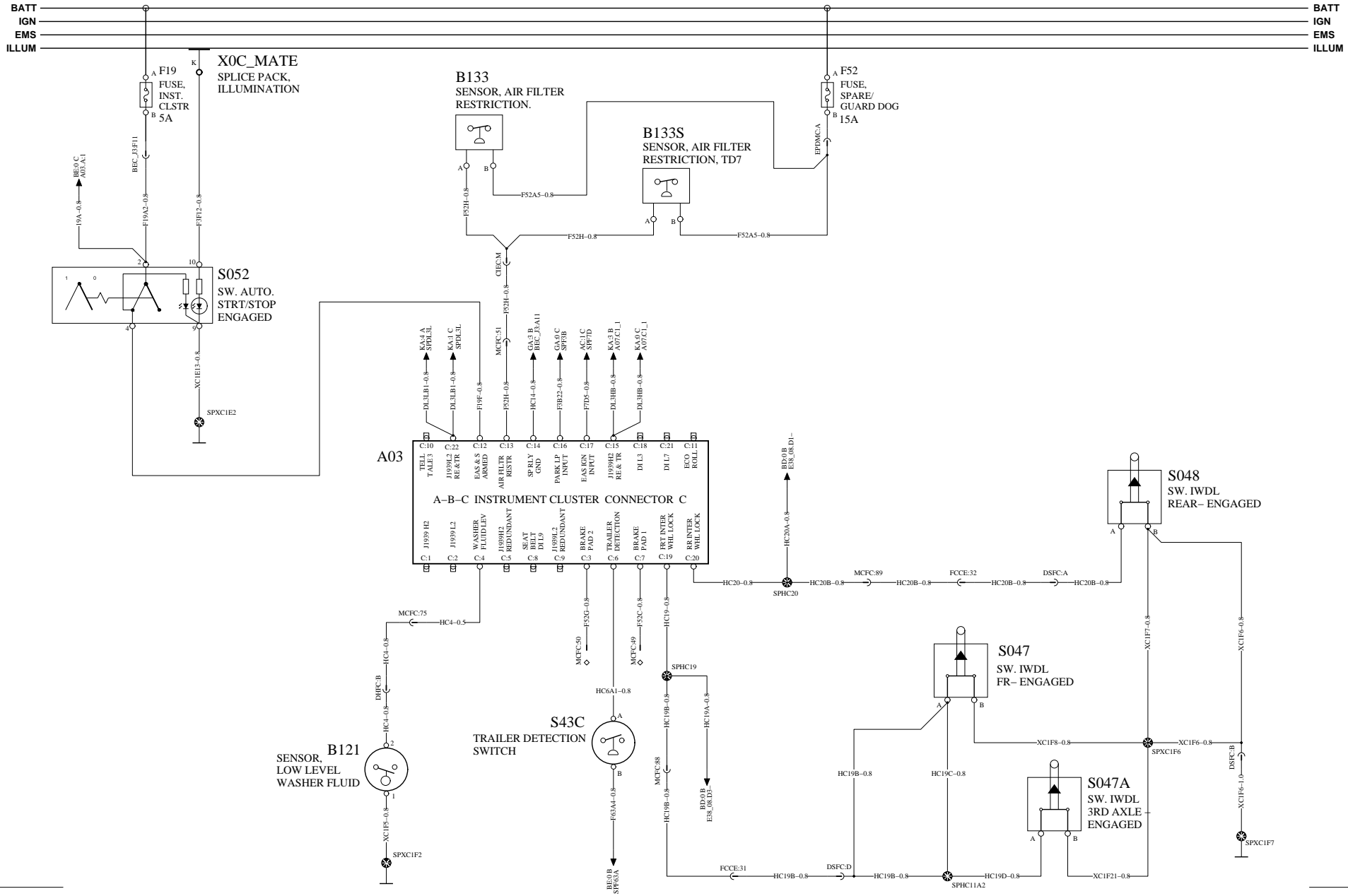


BATT
IGN
EMS
ILLUM



INSTRUMENT CLUSTER 3/3

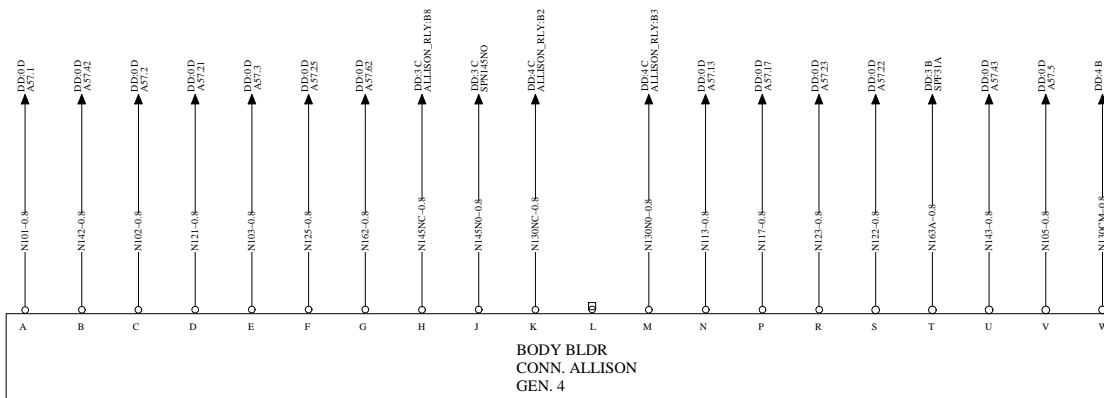
WIRING DIAGRAM: BG



BATT
IGN
EMS
ILLUM

BATT
IGN
EMS
ILLUM

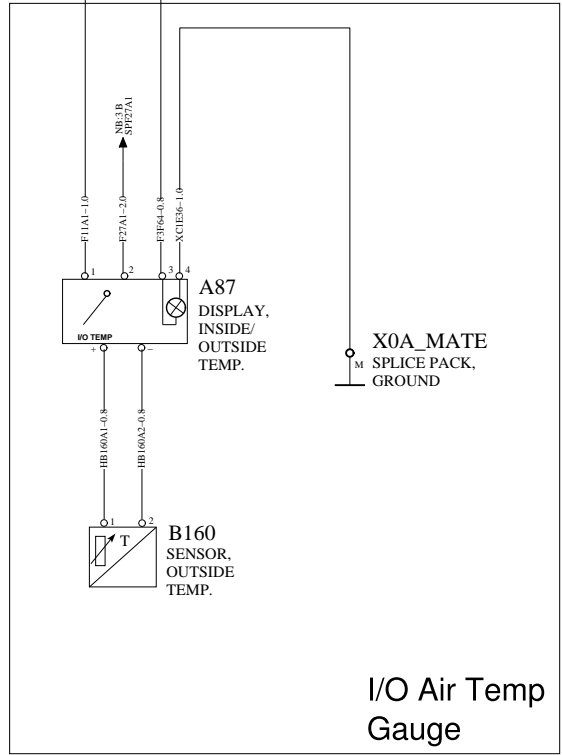
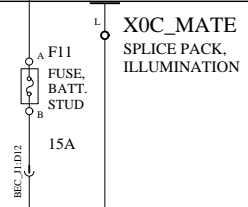
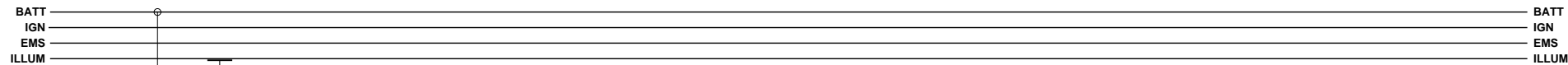
X06D_MATE



BODY BLDR
CONN. ALLISON
GEN. 4

INSIDE-OUTSIDE AIR TEMP. GAUGE

WIRING DIAGRAM: BI



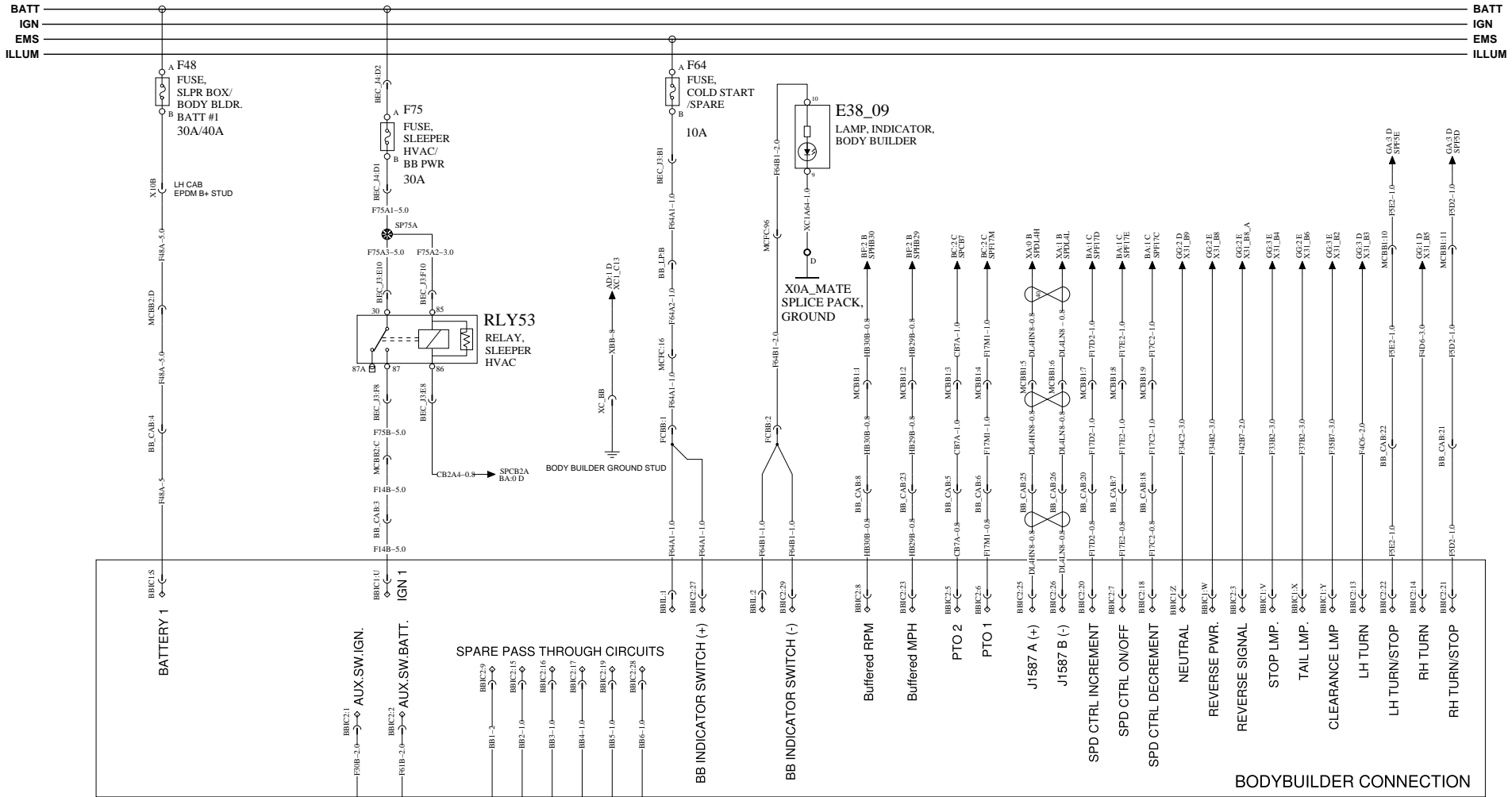
Group Trucks Technology

Document title WIRING DIAGRAM - PC28 - 12V MACK - 2013BP - ENG-CU12
Document type PRODUCT SCHEMATIC

Document No 22234428	Issue 02	Volume 01	Page 18 (83)
--------------------------------	--------------------	---------------------	------------------------

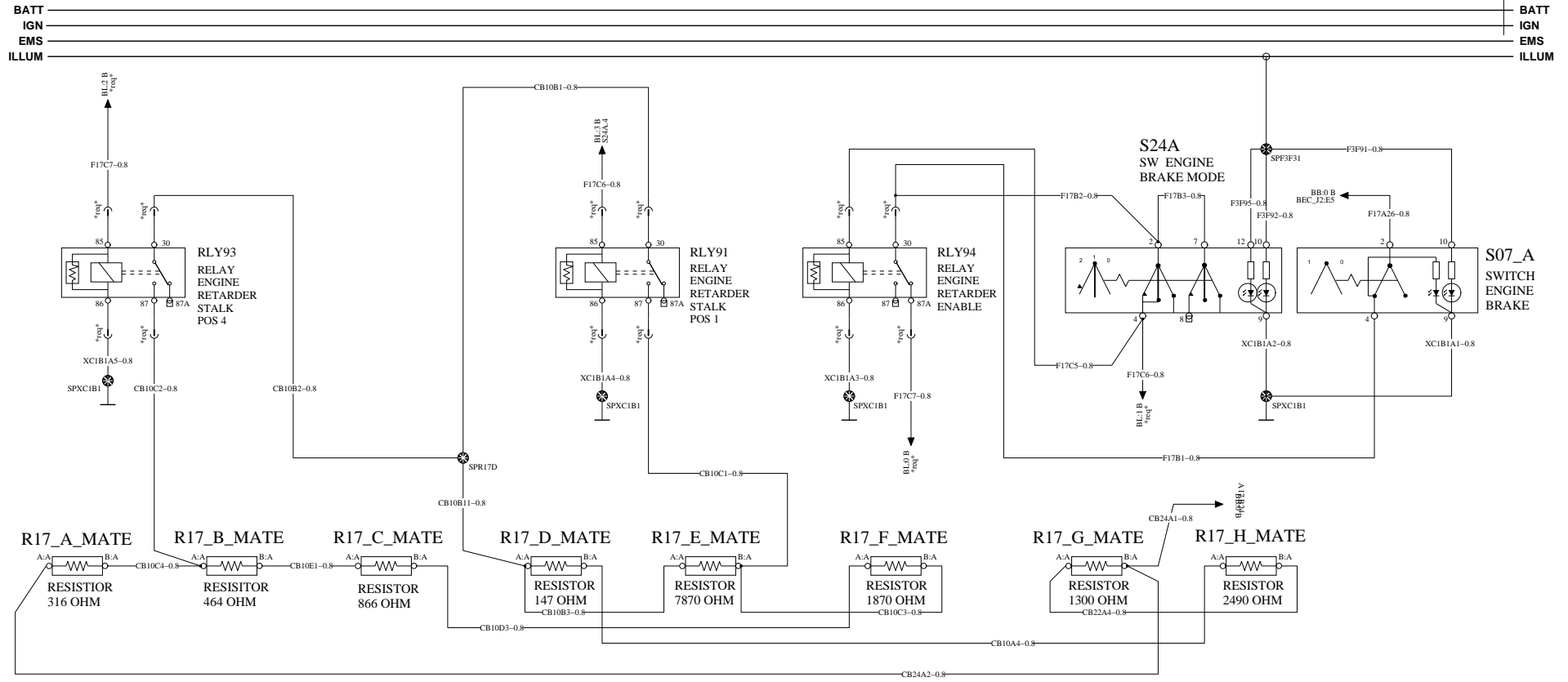
BODY BUILDER CIRCUITS

WIRING DIAGRAM: BJ



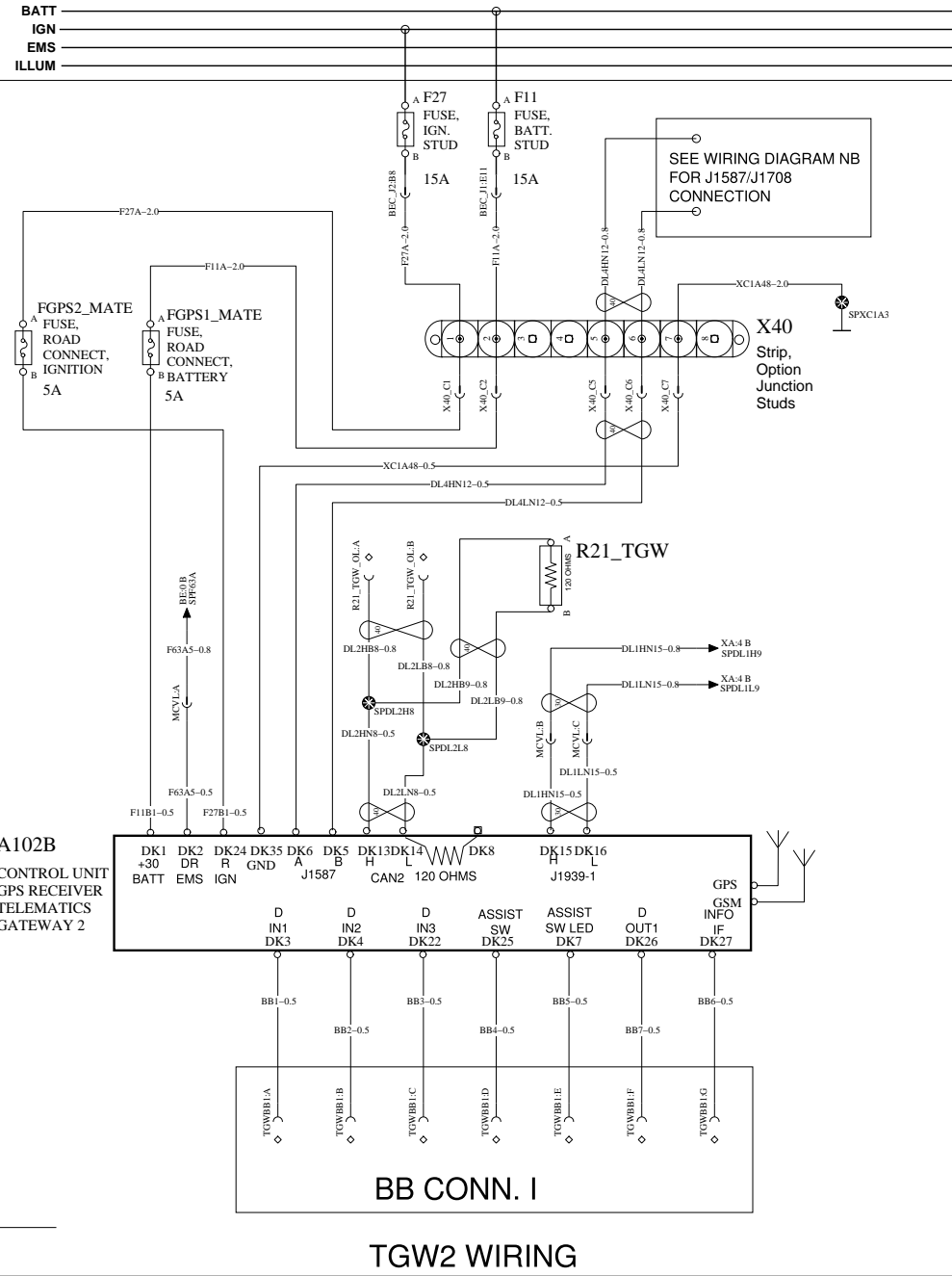
ENGINE BRAKE CONTROL – M-DRIVE

WIRING DIAGRAM: BL

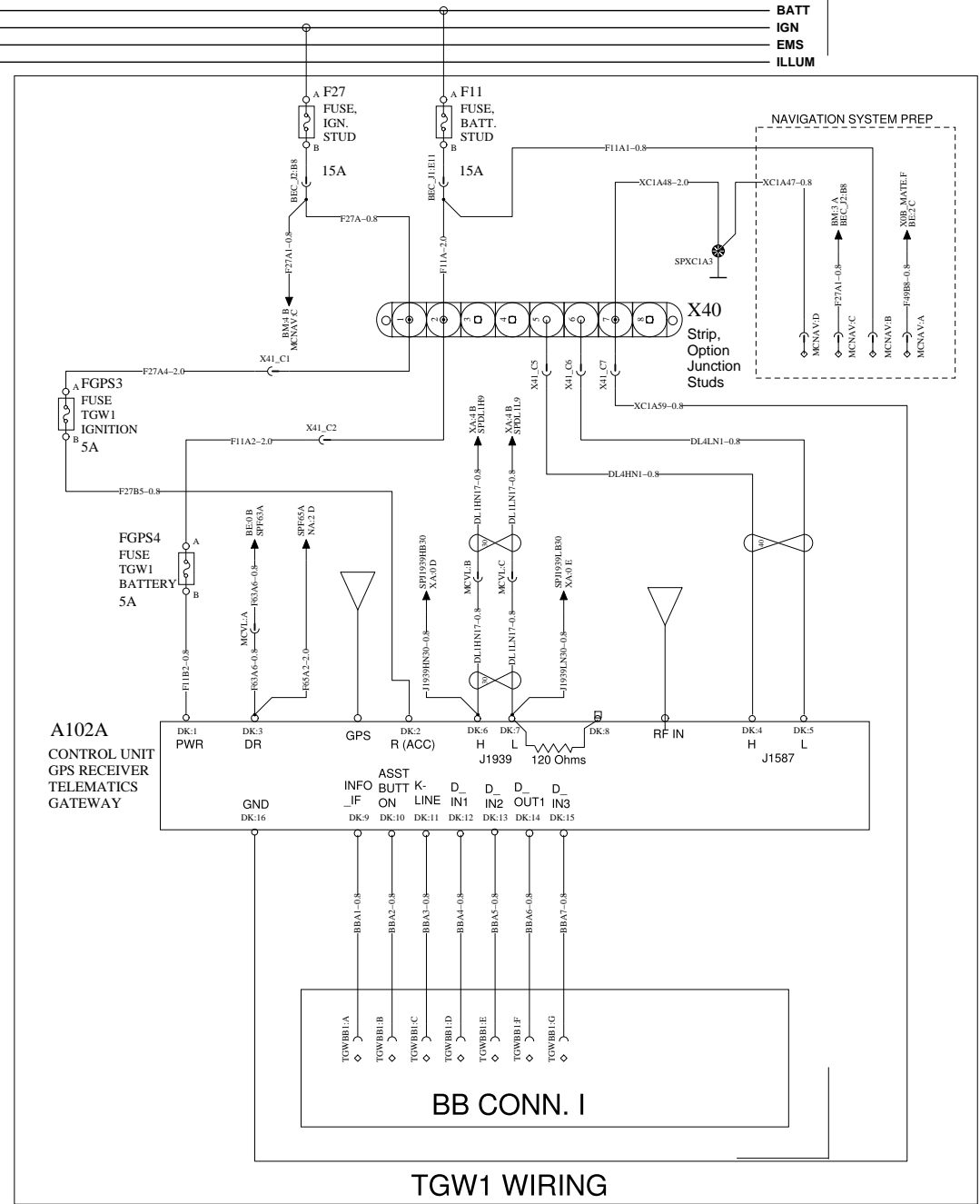


SHEET TO BE DELETED

TELEMATICS GATEWAY (TGW)



WIRING DIAGRAM: BM

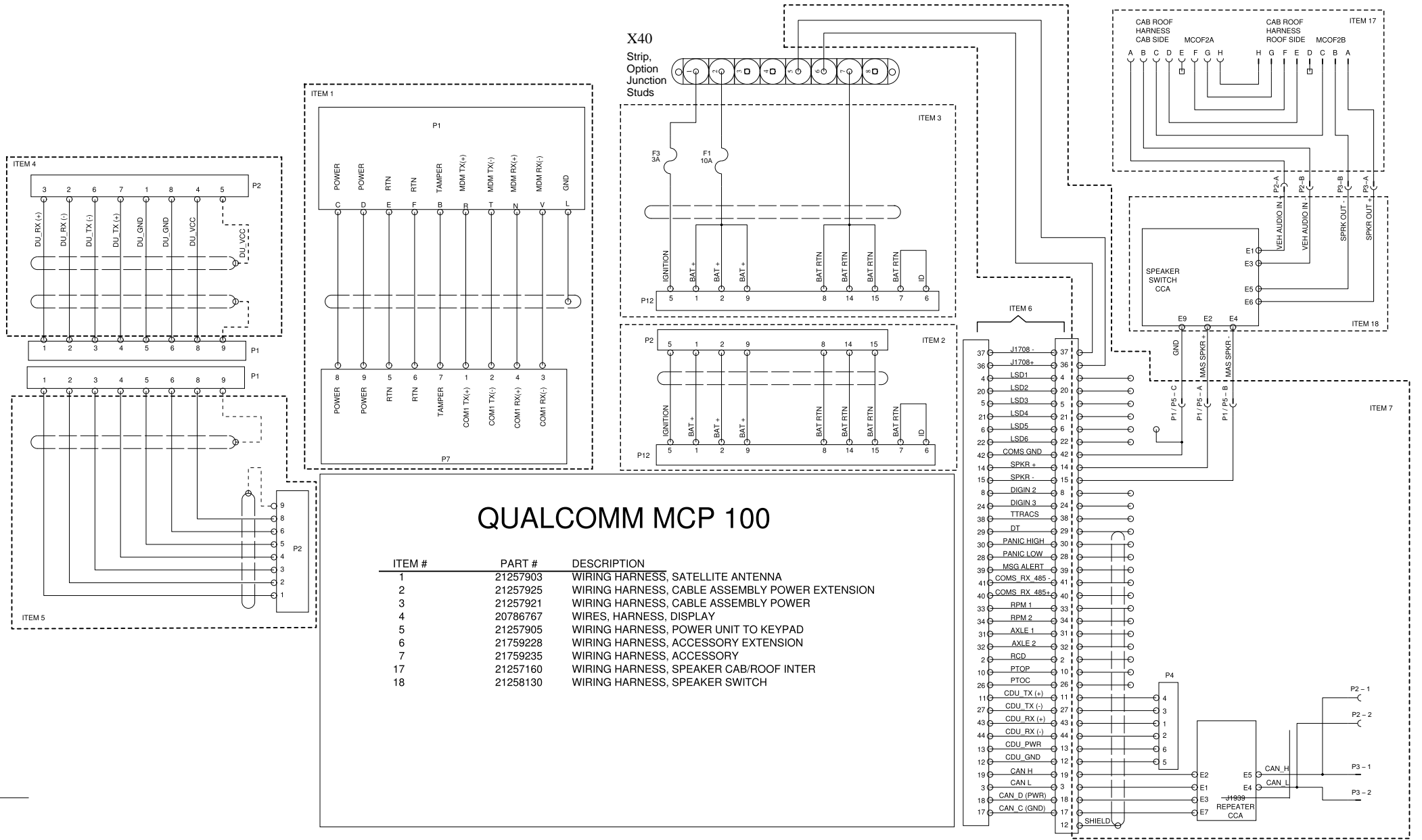


QUALCOMM MCP 100 W/SLEEPER

BATT
IGN
EMS
ILLUM

WIRING DIAGRAM: BU

BATT
IGN
EMS
ILLUM



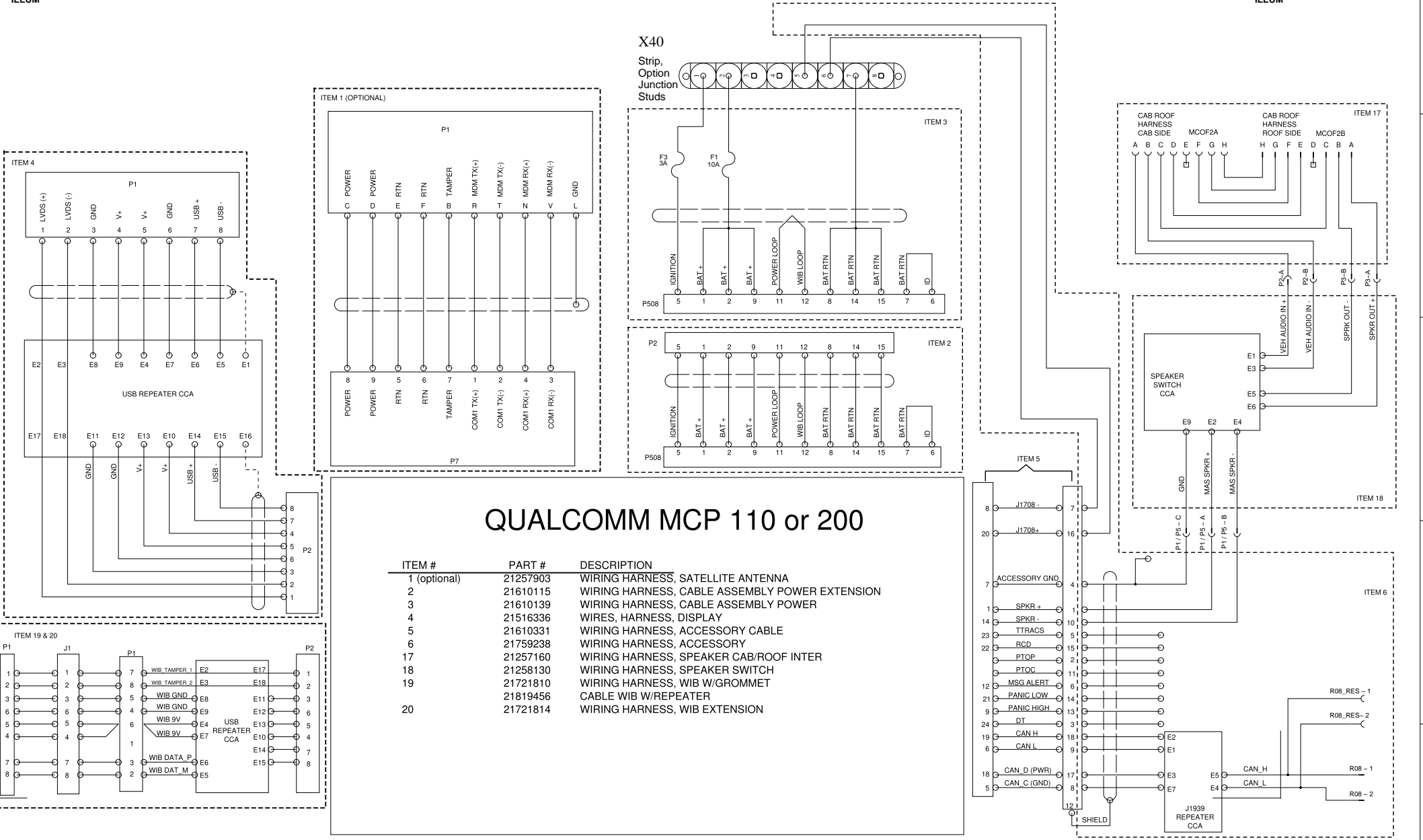
QUALCOMM MCP 100

ITEM #	PART #	DESCRIPTION
1	21257903	WIRING HARNESS, SATELLITE ANTENNA
2	21257925	WIRING HARNESS, CABLE ASSEMBLY POWER EXTENSION
3	21257921	WIRING HARNESS, CABLE ASSEMBLY POWER
4	20786767	WIRES, HARNESS, DISPLAY
5	21257905	WIRING HARNESS, POWER UNIT TO KEYPAD
6	21759228	WIRING HARNESS, ACCESSORY EXTENSION
7	21759235	WIRING HARNESS, ACCESSORY
17	21257160	WIRING HARNESS, SPEAKER CAB/ROOF INTER
18	21258130	WIRING HARNESS, SPEAKER SWITCH

QUALCOMM MCP 110 OR 200 W/SLEEPER

WIRING DIAGRAM: BV

BATT _____ BATT
 IGN _____ IGN
 EMS _____ EMS
 ILLUM _____ ILLUM



QUALCOMM MCP 110 or 200

ITEM #	PART #	DESCRIPTION
1 (optional)	21257903	WIRING HARNESS, SATELLITE ANTENNA
2	21610115	WIRING HARNESS, CABLE ASSEMBLY POWER EXTENSION
3	21610139	WIRING HARNESS, CABLE ASSEMBLY POWER
4	21516336	WIRES, HARNESS, DISPLAY
5	21610331	WIRING HARNESS, ACCESSORY CABLE
6	21759238	WIRING HARNESS, ACCESSORY
17	21257160	WIRING HARNESS, SPEAKER CAB/ROOF INTER
18	21258130	WIRING HARNESS, SPEAKER SWITCH
19	21721810	WIRING HARNESS, WIB W/GROMMET
	21819456	CABLE WIB W/REPEATER
20	21721814	WIRING HARNESS, WIB EXTENSION



Group Trucks Technology

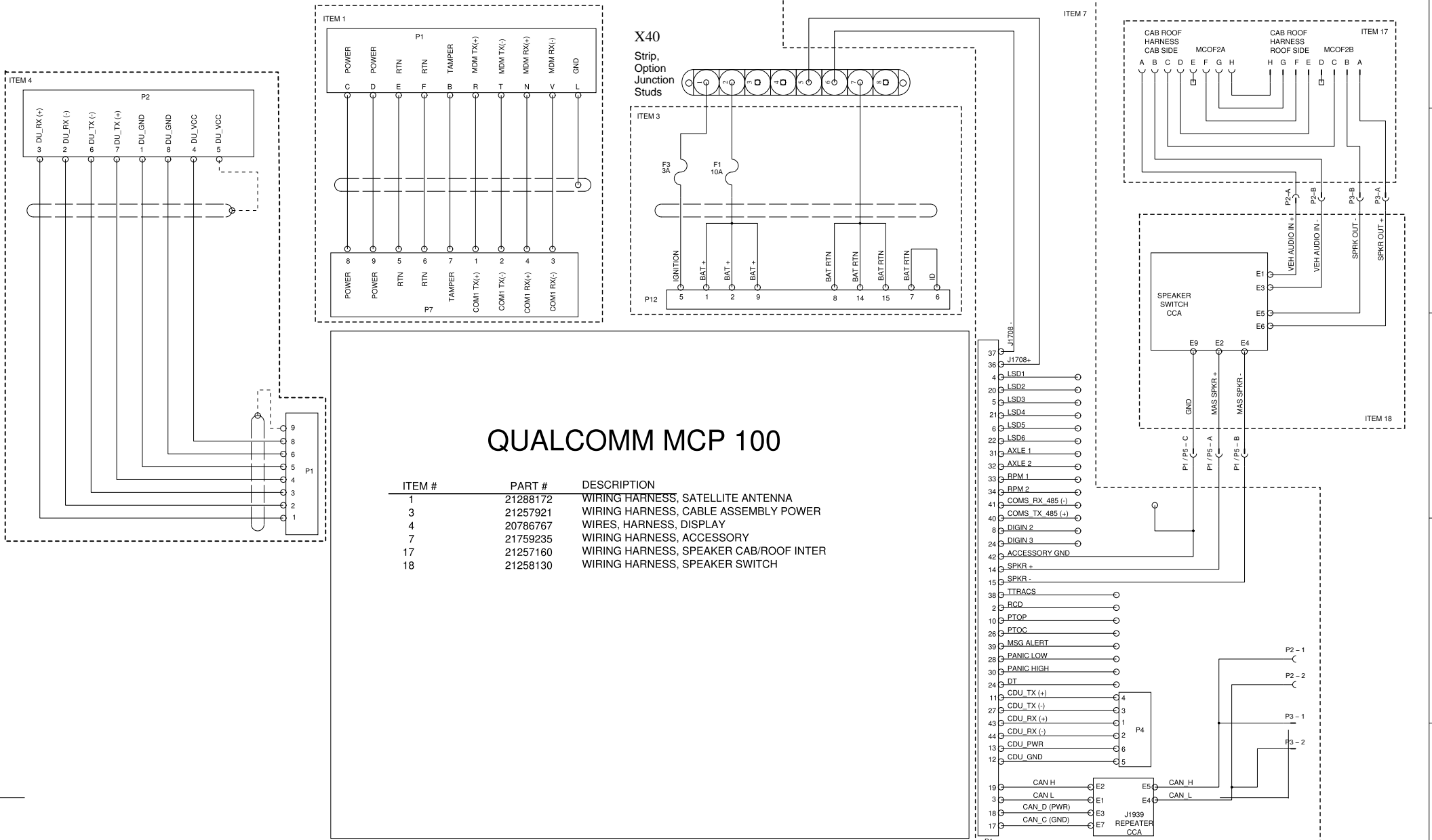
Document title
 WIRING DIAGRAM - PC28 - 12V MACK - 2013BP - ENG-CU12
 Document type
 PRODUCT SCHEMATIC

Document No 22234428	Issue 02	Volume 01	Page 25 (83)
--------------------------------	--------------------	---------------------	------------------------

QUALCOMM MCP 100 W/DAYCAB

WIRING DIAGRAM: BW

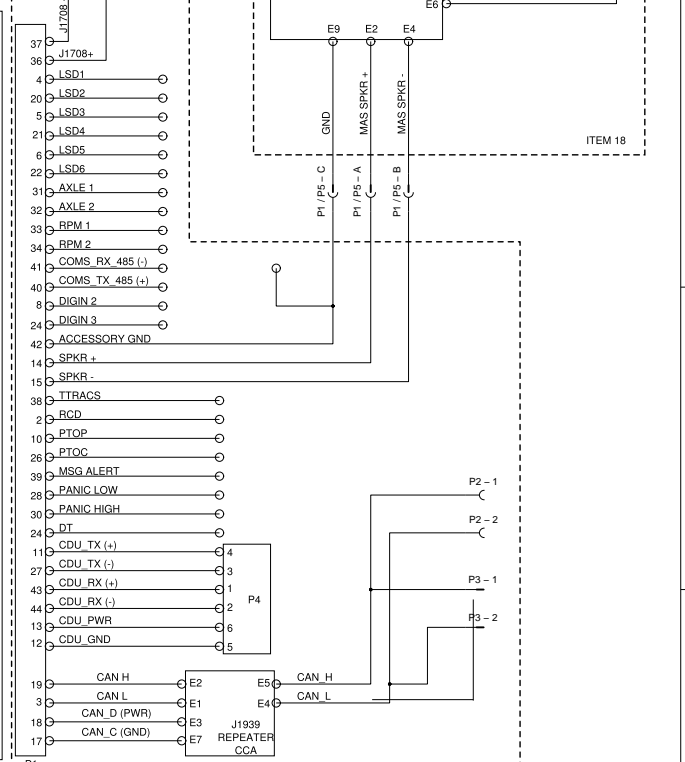
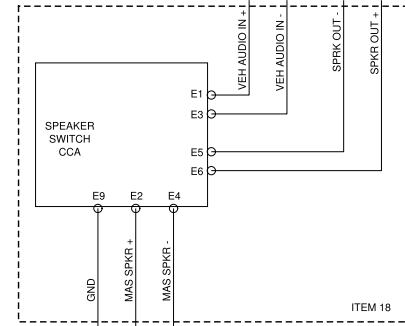
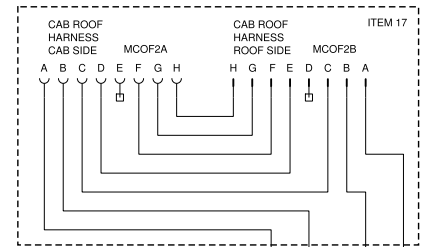
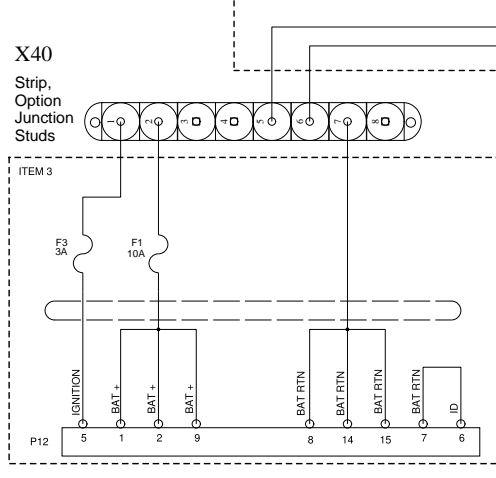
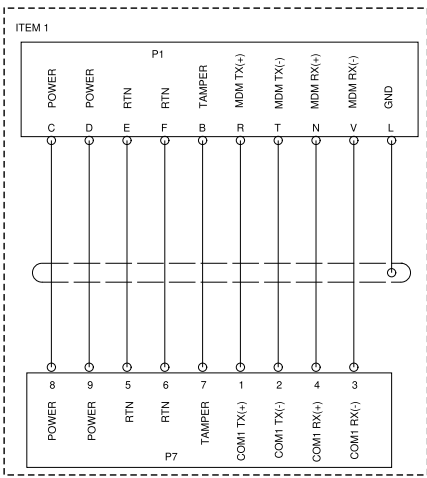
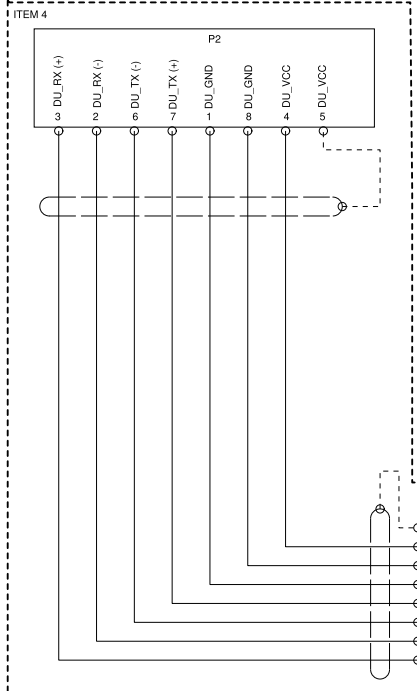
BATT
IGN
EMS
ILLUM



QUALCOMM MCP 100

ITEM #	PART #	DESCRIPTION
1	21288172	WIRING HARNESS, SATELLITE ANTENNA
3	21257921	WIRING HARNESS, CABLE ASSEMBLY POWER
4	20786767	WIRES, HARNESS, DISPLAY
7	21759235	WIRING HARNESS, ACCESSORY
17	21257160	WIRING HARNESS, SPEAKER CAB/ROOF INTER
18	21258130	WIRING HARNESS, SPEAKER SWITCH

X40
Strip,
Option
Junction
Studs



Group Trucks Technology

Document title
WIRING DIAGRAM - PC28 - 12V MACK - 2013BP - ENG-CU12
Document type
PRODUCT SCHEMATIC

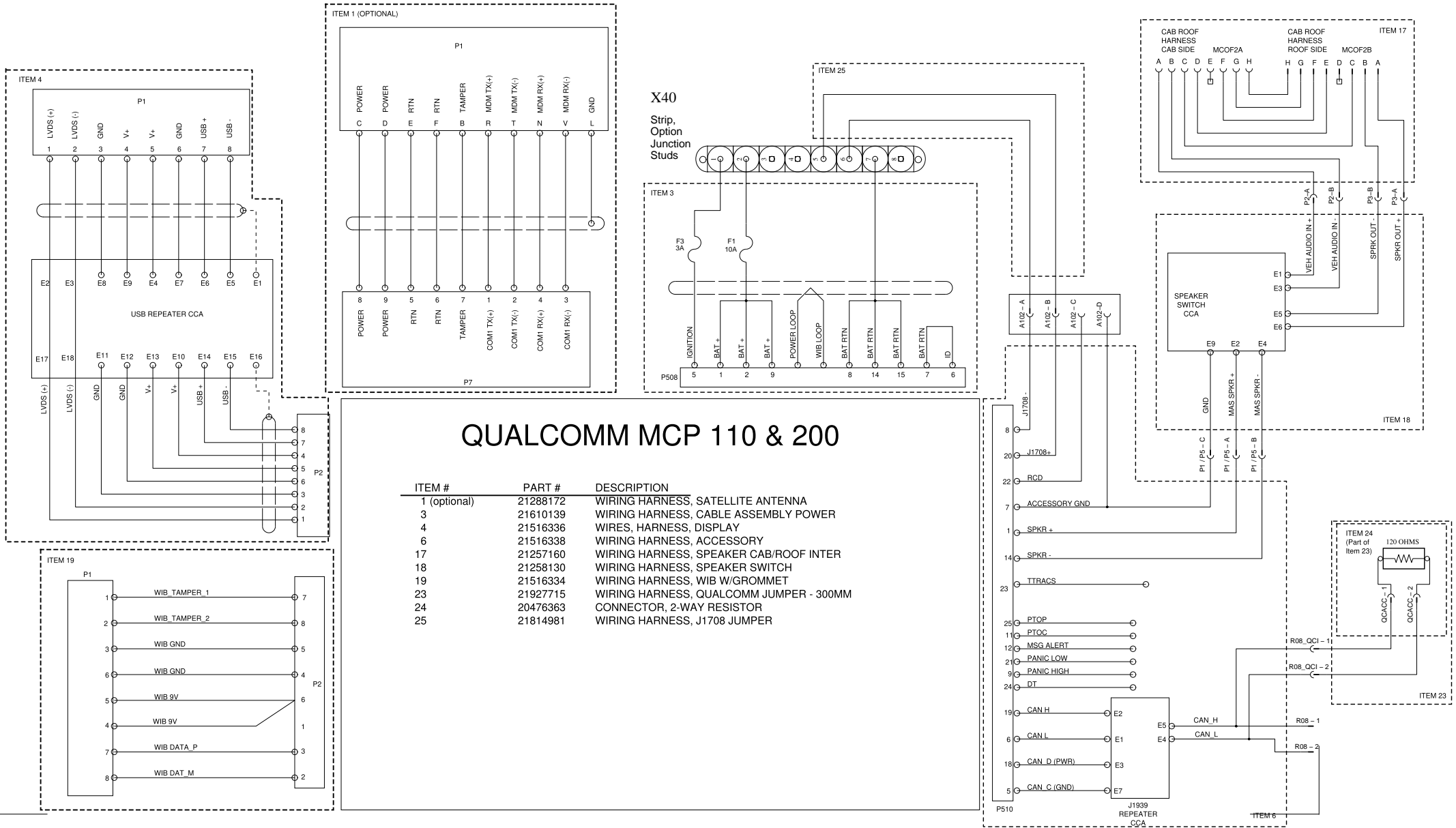
Document No
22234428
Issue
02
Volume
01
Page
26 (83)

QUALCOMM MCP 110 & 200 W/DAYCAB

WIRING DIAGRAM: BX

BATT
IGN
EMS
ILLUM

BATT
IGN
EMS
ILLUM

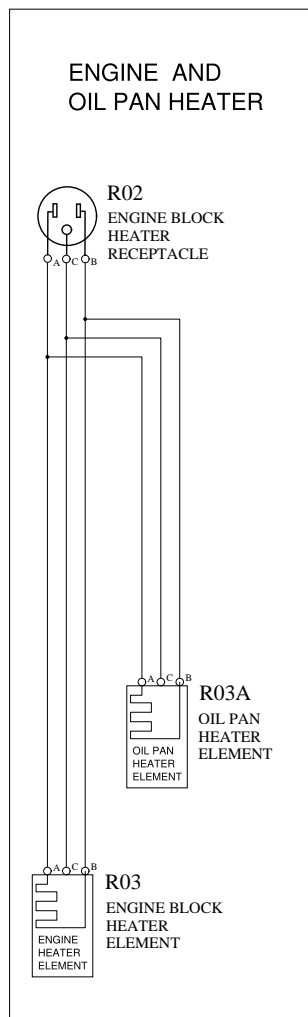
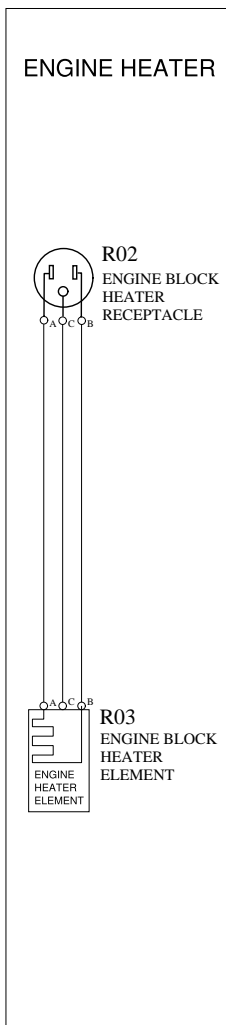


ENGINE HEATER

WIRING DIAGRAM: CC

BATT
IGN
EMS
ILLUM

BATT
IGN
EMS
ILLUM



VOLVO

Group Trucks Technology

Document title
WIRING DIAGRAM - PC28 - 12V MACK - 2013BP - ENG-CU12

Document type
PRODUCT SCHEMATIC

Document No

22234428

Issue

02

Volume

01

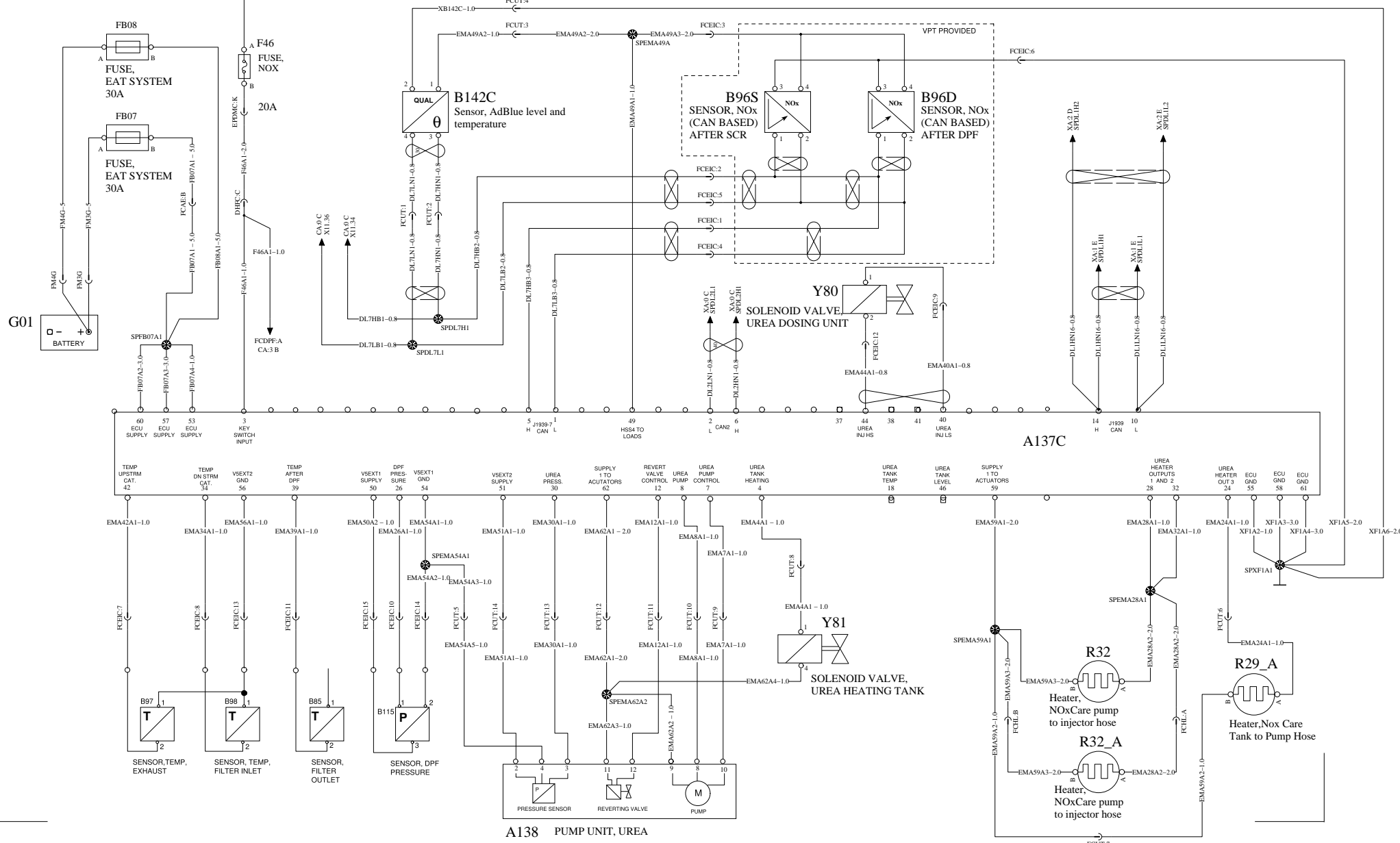
Page

30 (83)

UREA DOSING SYSTEM

WIRING DIAGRAM: CD

BATT
IGN
EMS
ILLUM

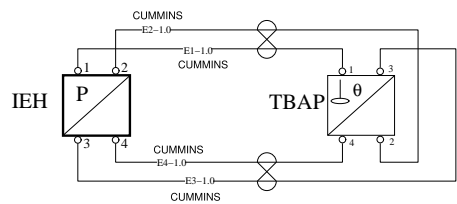


ENGINE CONTROL ISL US13 1/2

WIRING DIAGRAM: CE

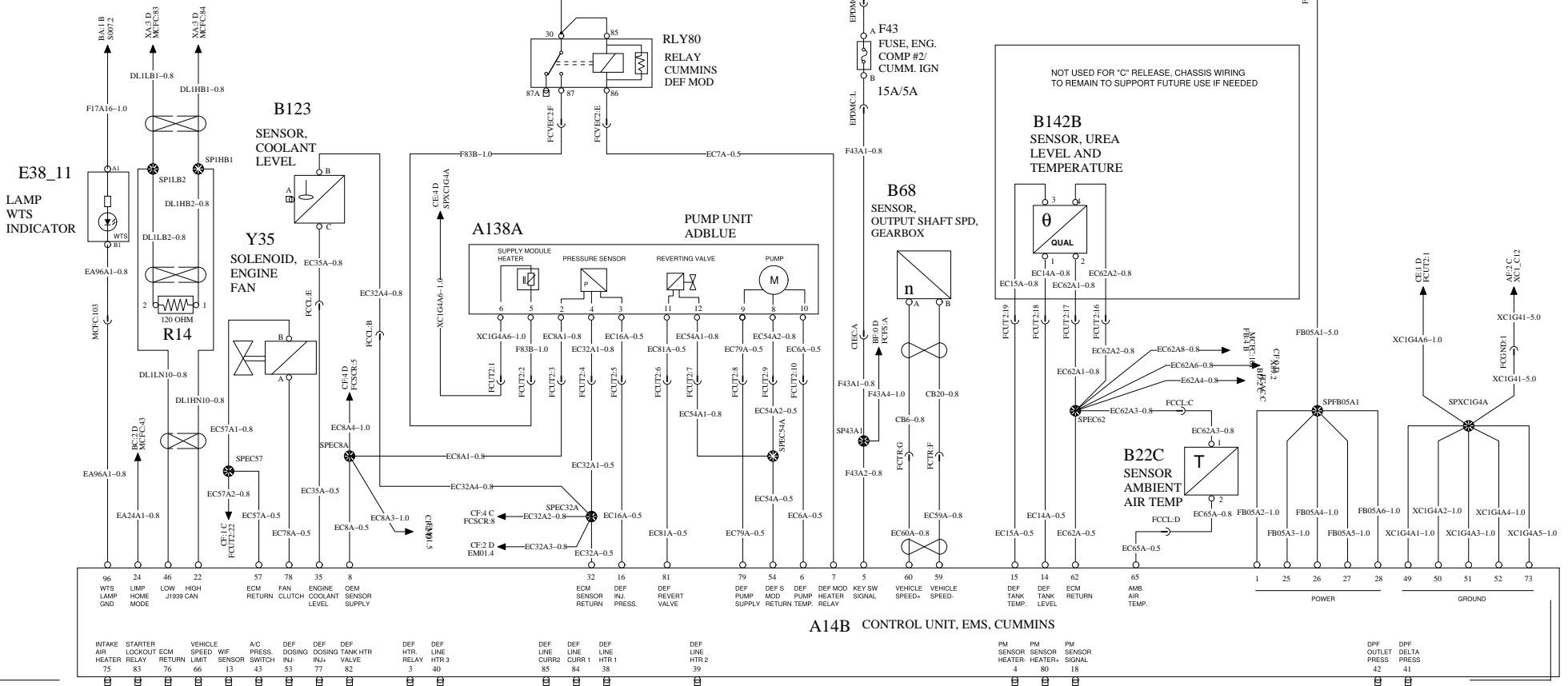
BATT
IGN
EMS
ILLUM

BATT
IGN
EMS
ILLUM



PRESSURE SENSOR WIRES ARE QUADRUPLE TWIST

NOTE: REFERENCE FUSE "F85" SHEET "CF" FOR CIRCUIT INFORMATION.



A14B CONTROL UNIT, EMS, CUMMINS



Group Trucks Technology

Document title	WIRING DIAGRAM - PC28 - 12V MACK - 2013BP - ENG-CU12
Document type	PRODUCT SCHEMATIC

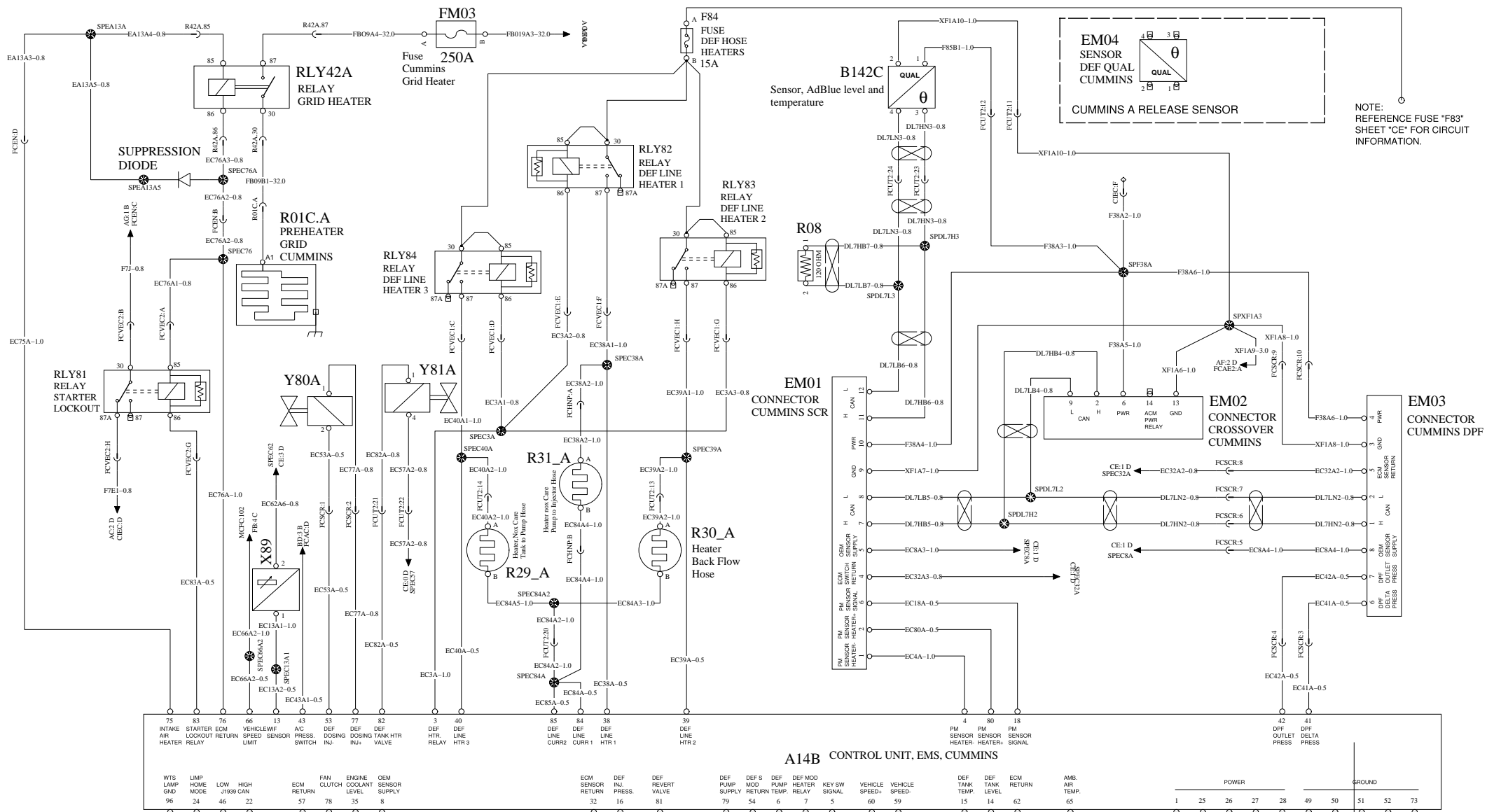
Document No	22234428	Issue	02	Volume	01	Page	32 (83)
-------------	----------	-------	----	--------	----	------	---------

ENGINE CONTROL ISL US13 2/2

WIRING DIAGRAM: CF

BATT
IGN
EMS
ILLUM

BATT
IGN
EMS
ILLUM



NOTE: REFERENCE FUSE "F83" SHEET "CE" FOR CIRCUIT INFORMATION.

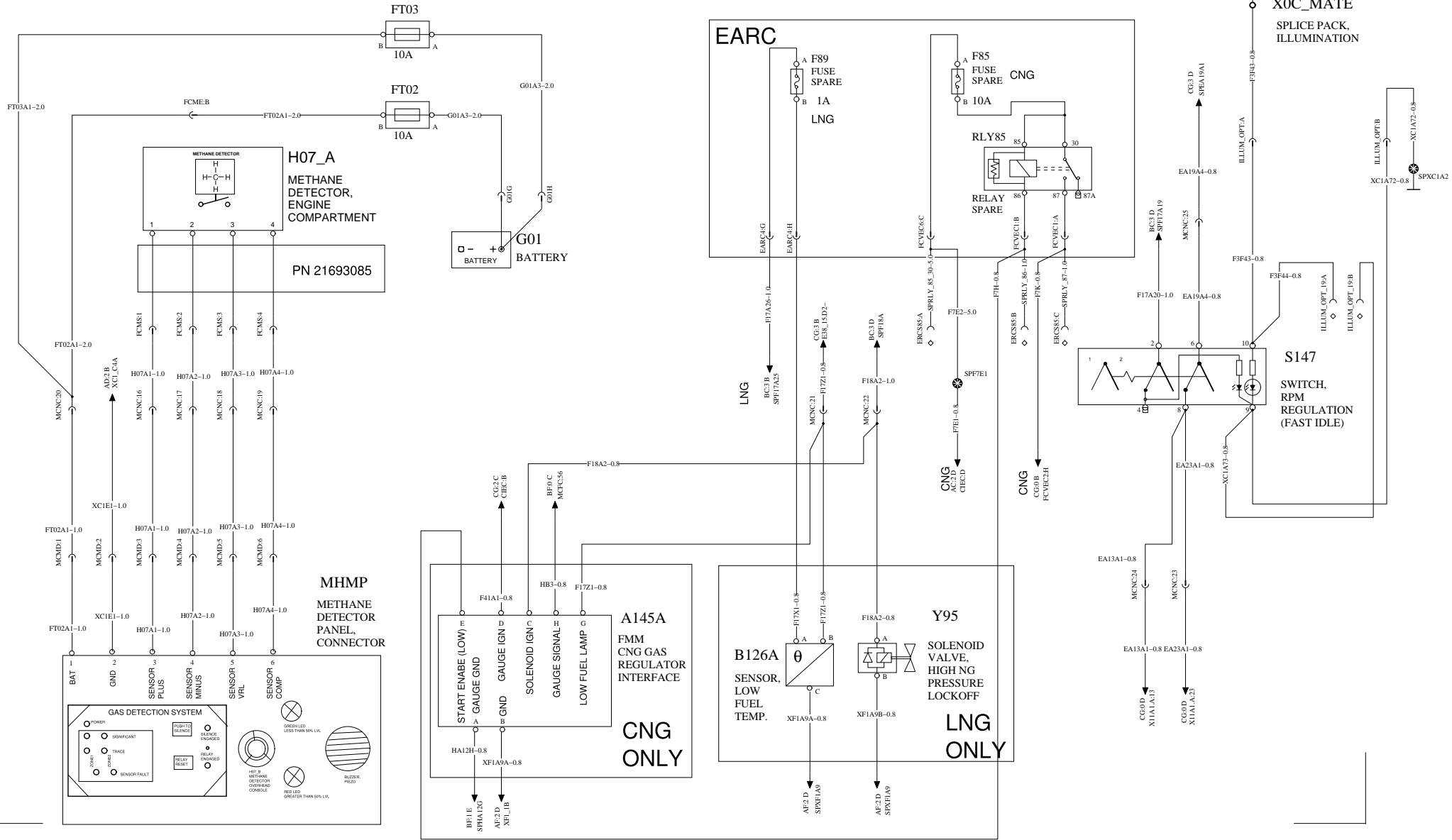
75	83	76	66	13	43	53	77	82	3	40	85	84	38	39	4	80	18														
INTAKE AIR HEATER	STARTER LOCKOUT RELAY	ECM RETURN	VEHICLE SPEED SENSOR	VEHICLE WIPER SWITCH	A/C PRESS. SWITCH	DEF DOSING INJ.	DEF DOSING TANK VALVE	DEF TANK HTR	DEF LINE RELAY	DEF LINE HTR3	DEF LINE CURR2	DEF LINE CURR1	DEF LINE HTR1	DEF LINE HTR2	DEF PUMP SUPPLY	DEF MOD PUMP RETURN	DEF DEF PUMP RELAY	DEF DEF MOD HEATER SIGNAL	VEHICLE SPEED	VEHICLE SPEED	DEF TANK LEVEL	DEF TANK LEVEL	ECM RETURN	AMB. AIR TEMP.							
WTS GND	LAMP MODE	LOW HOME	HIGH CAN	ECM RETURN	FAN CLUTCH	ENGINE COOLANT INJ.	OEM DEF SENSOR SUPPLY	DEF LINE CURR2	DEF LINE CURR1	DEF LINE HTR1	DEF LINE HTR2	DEF PUMP SUPPLY	DEF MOD PUMP RETURN	DEF DEF PUMP RELAY	DEF DEF MOD HEATER SIGNAL	VEHICLE SPEED	VEHICLE SPEED	DEF TANK LEVEL	DEF TANK LEVEL	ECM RETURN	AMB. AIR TEMP.										
96	24	46	22	57	78	35	8	32	16	81	79	54	6	7	5	60	59	15	14	62	65	1	25	26	27	28	49	50	51	52	73

ENGINE CONTROL ISX12G 2/2

WIRING DIAGRAM: CH

BATT
IGN
EMS
ILLUM

BATT
IGN
EMS
ILLUM

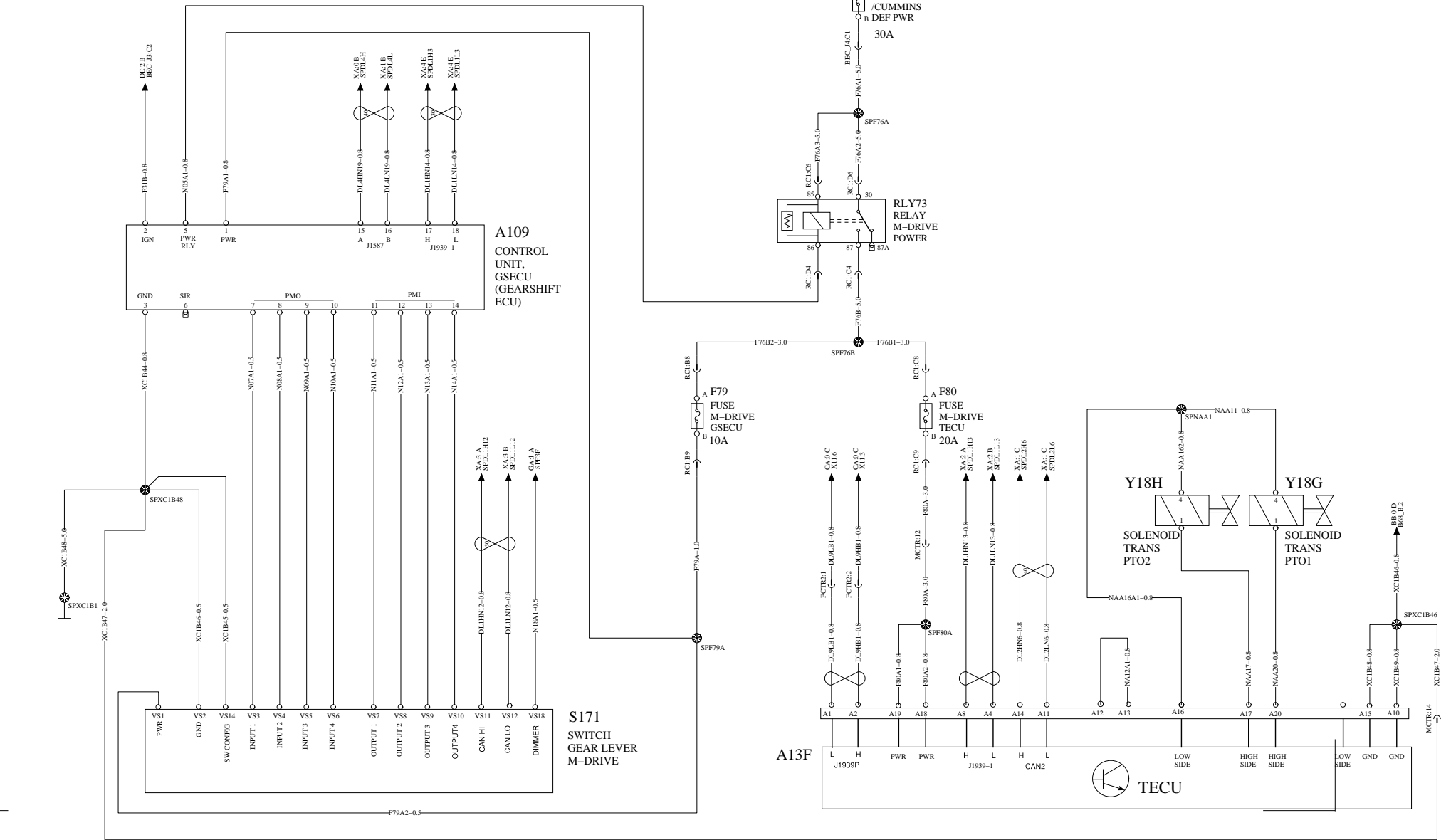


TRANSMISSION M-DRIVE

WIRING DIAGRAM: DA

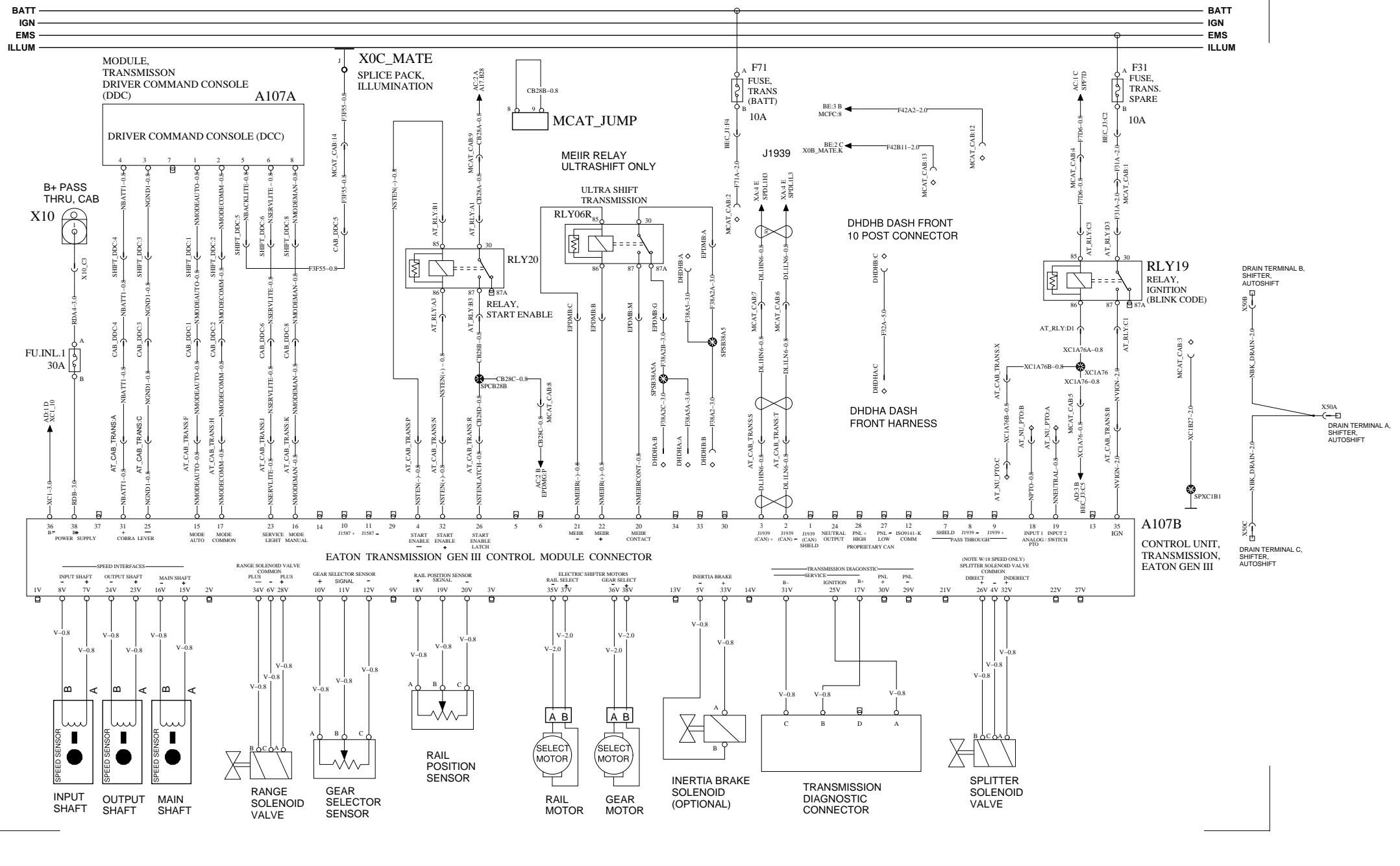
BATT
IGN
EMS
ILLUM

BATT
IGN
EMS
ILLUM



TRANSMISSION CONTROL: AUTOSHIFT / ULTRASHIFT III

WIRING DIAGRAM: DB



Group Trucks Technology

Document title	WIRING DIAGRAM - PC28 - 12V MACK - 2013BP - ENG-CU12
Document type	PRODUCT SCHEMATIC

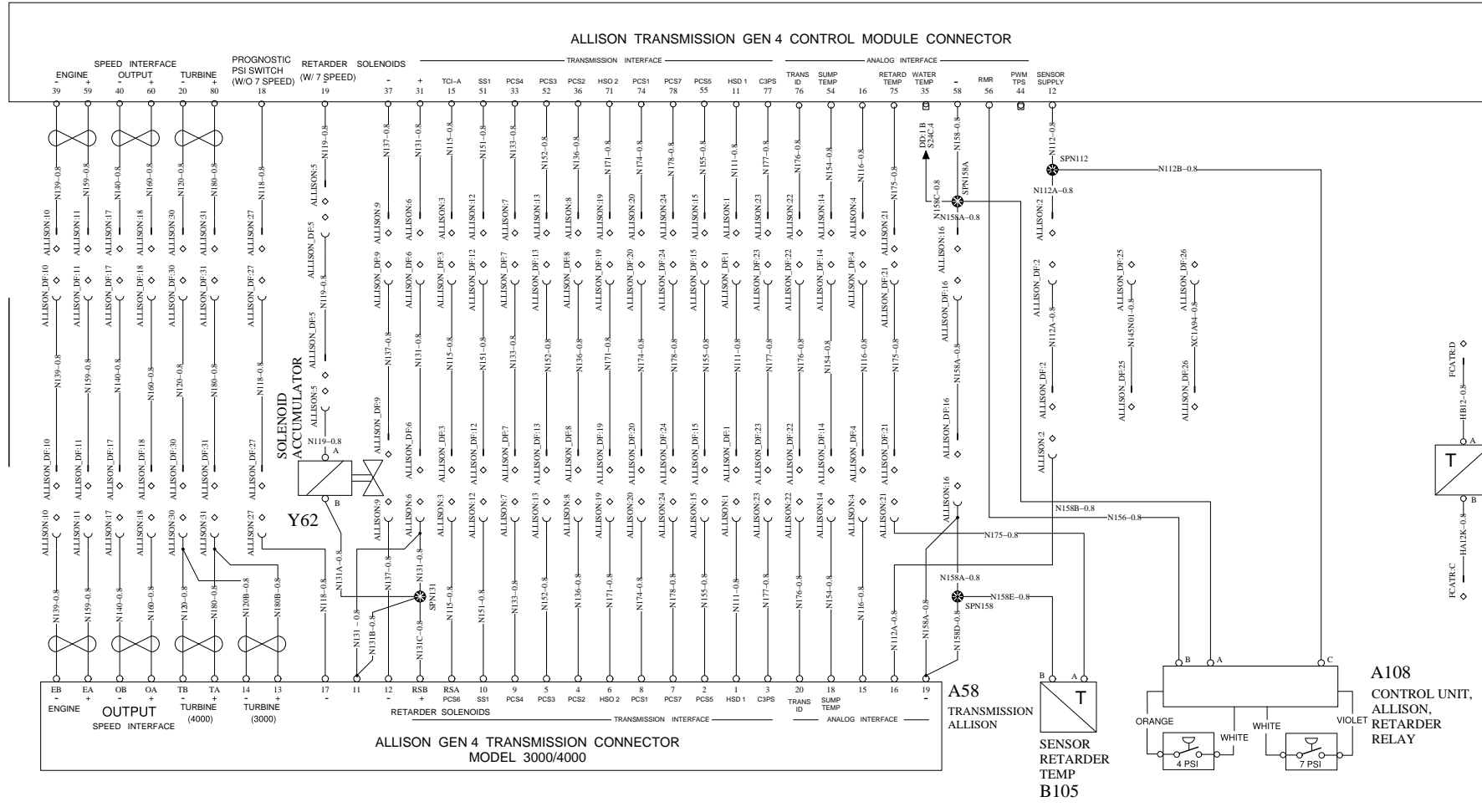
Document No	22234428	Issue	02	Volume	01	Page	37 (83)
-------------	----------	-------	----	--------	----	------	---------

BATT
IGN
EMS
ILLUM

BATT
IGN
EMS
ILLUM

A57 CONTROL UNIT,
ALLISON TRANSMISSION

RHD EXPORT

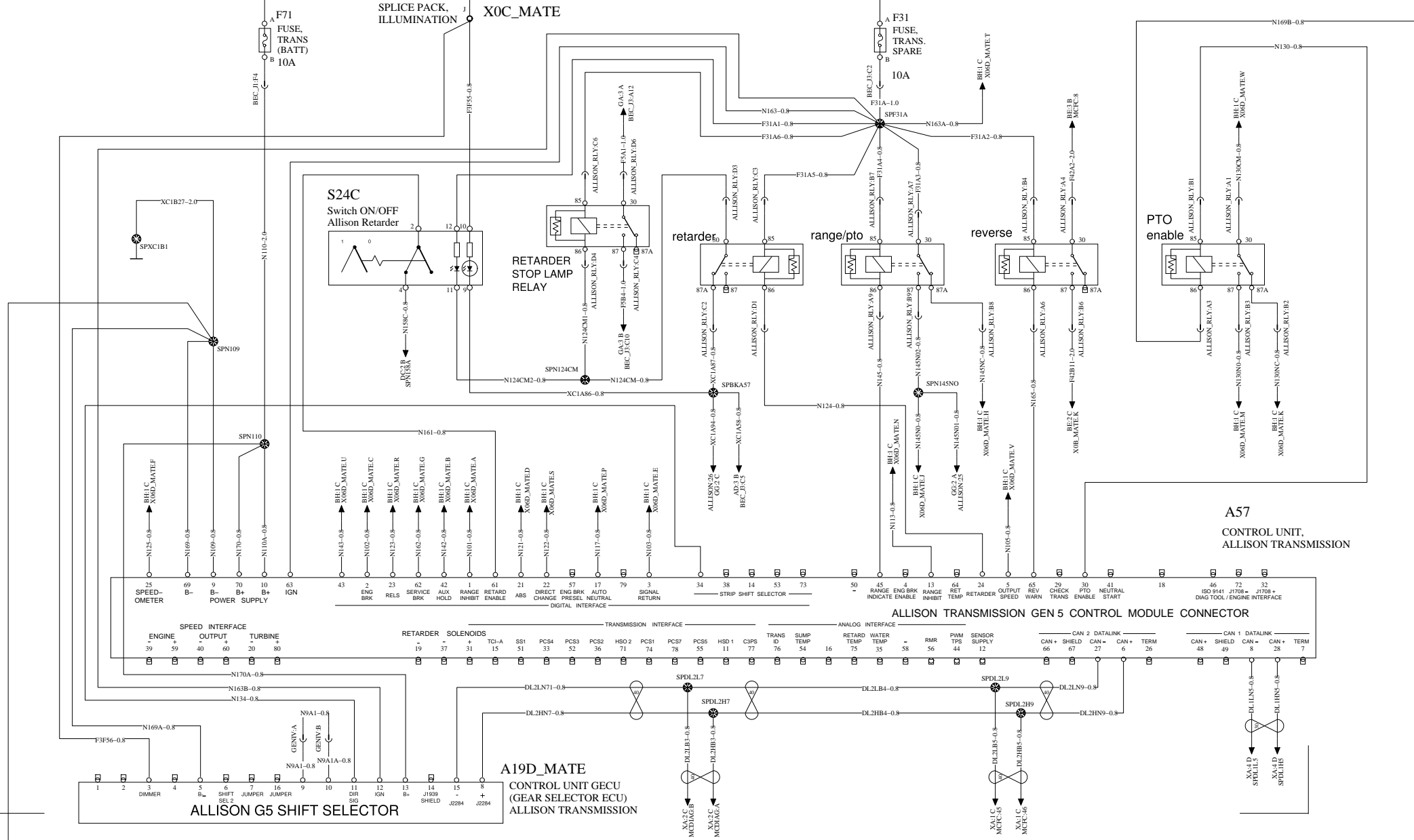


TRANSMISSION CONTROL 4th GENERATION 2/2

WIRING DIAGRAM: DD

BATT
IGN
EMS
ILLUM

BATT
IGN
EMS
ILLUM



Group Trucks Technology

Document title
WIRING DIAGRAM - PC28 - 12V MACK - 2013BP - ENG-CU12

Document type
PRODUCT SCHEMATIC

Document No

22234428

Issue

02

Volume

39 (83)

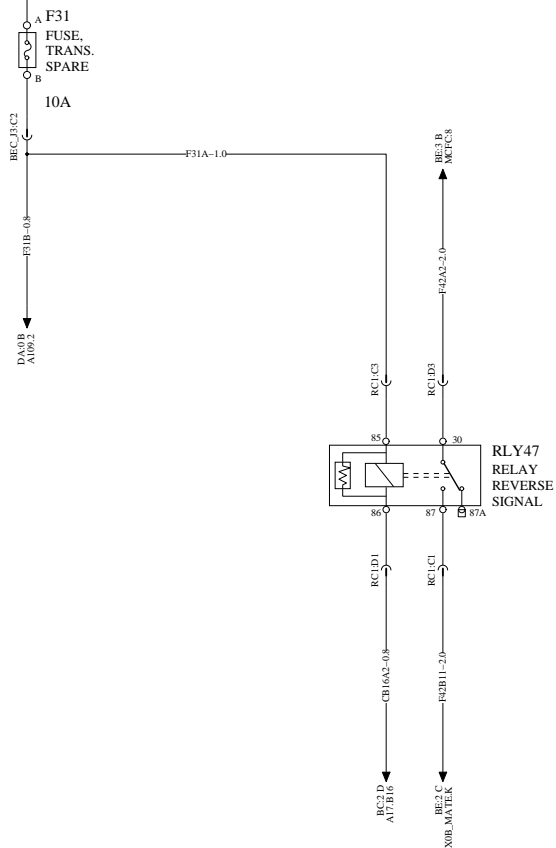
Page

TRANSMISSION CONTROLS – M-DRIVE

WIRING DIAGRAM: DE

BATT
IGN
EMS
ILLUM

BATT
IGN
EMS
ILLUM



Group Trucks Technology

Document title
WIRING DIAGRAM - PC28 - 12V MACK - 2013BP - ENG-CU12

Document type
PRODUCT SCHEMATIC

Document No
22234428

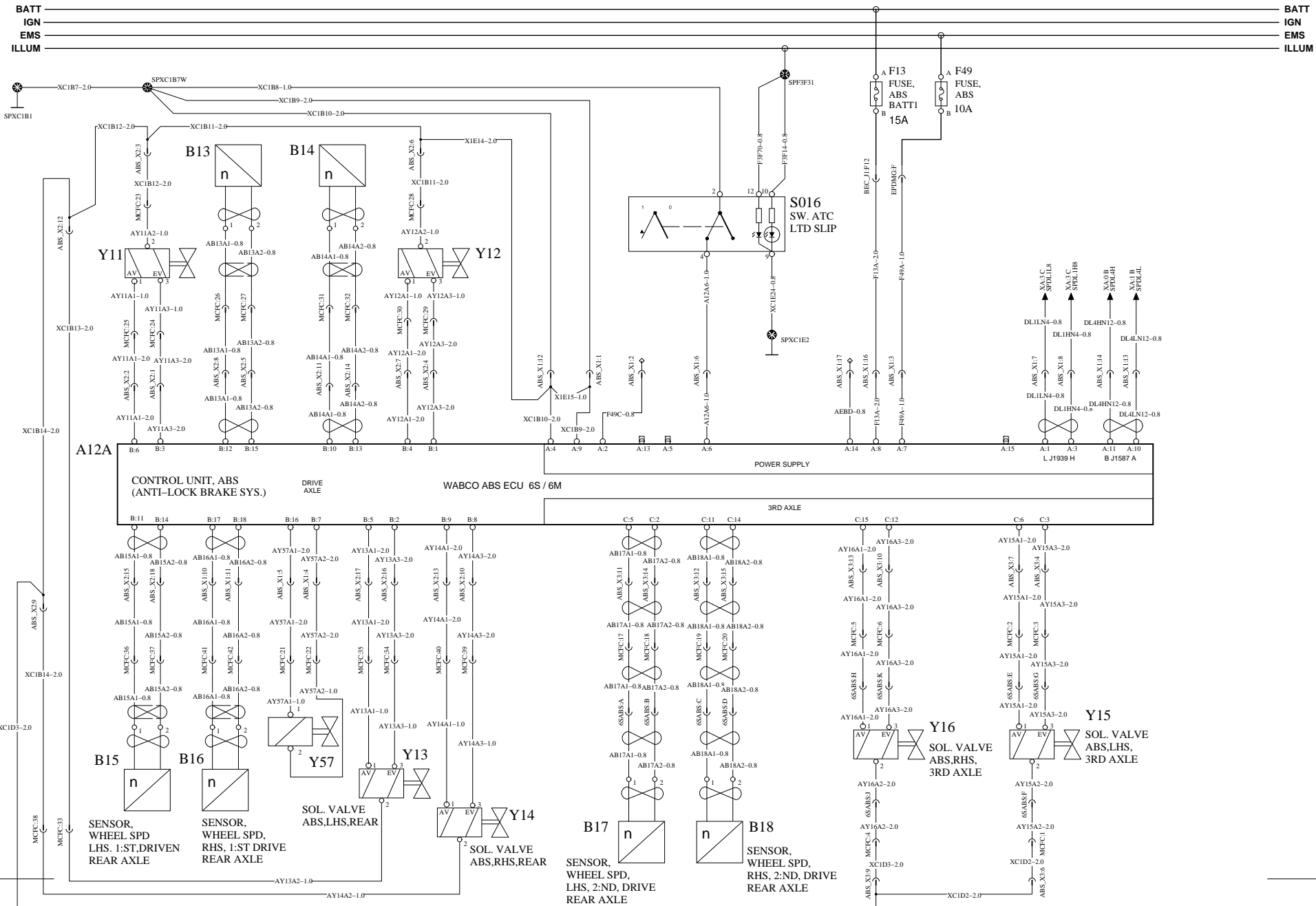
Issue
02

Volume
01

Page
40 (83)

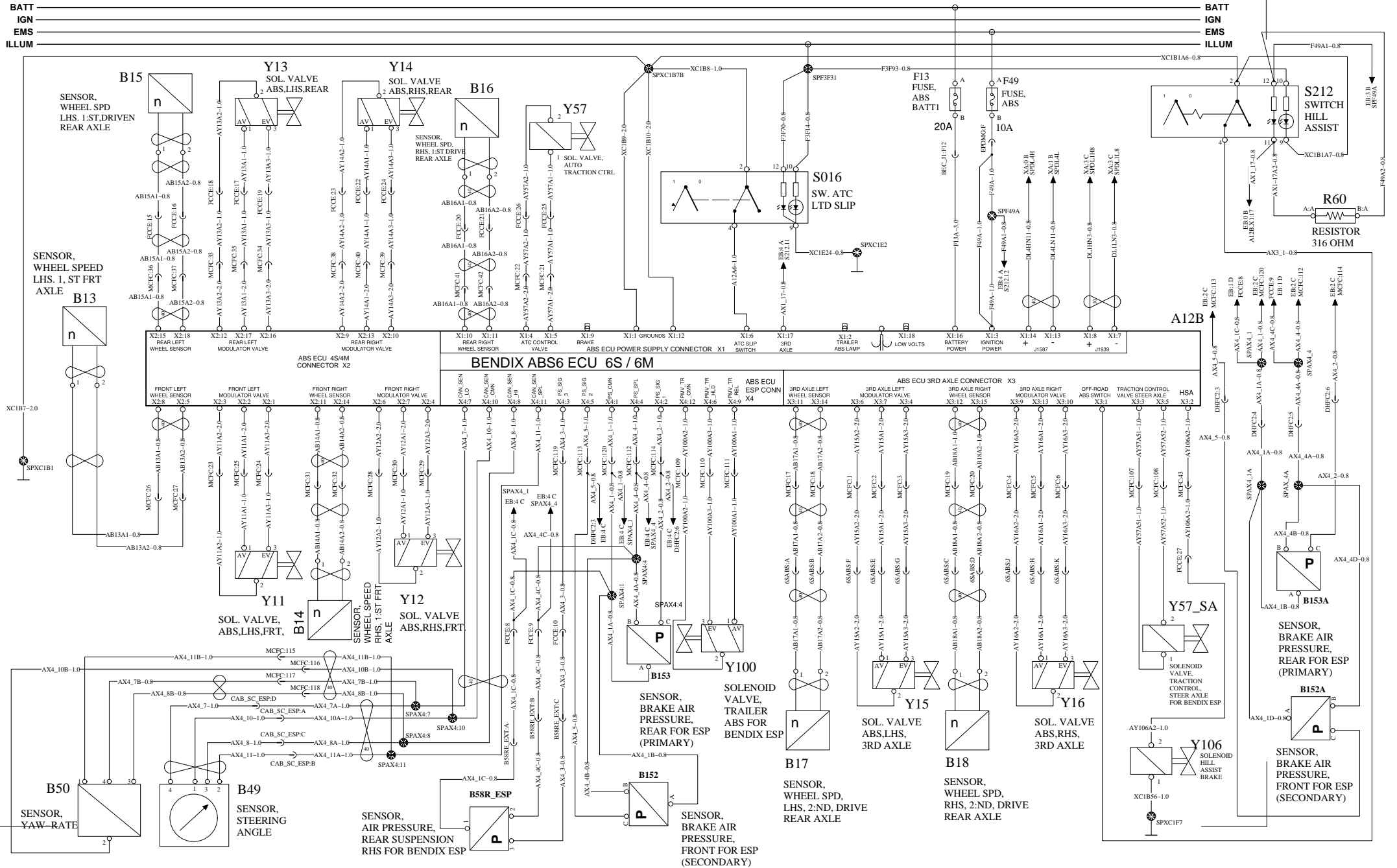
ABS-WABCO

WIRING DIAGRAM: EA



ABS BENDIX W/ESP (EATON)

WIRING DIAGRAM: EB



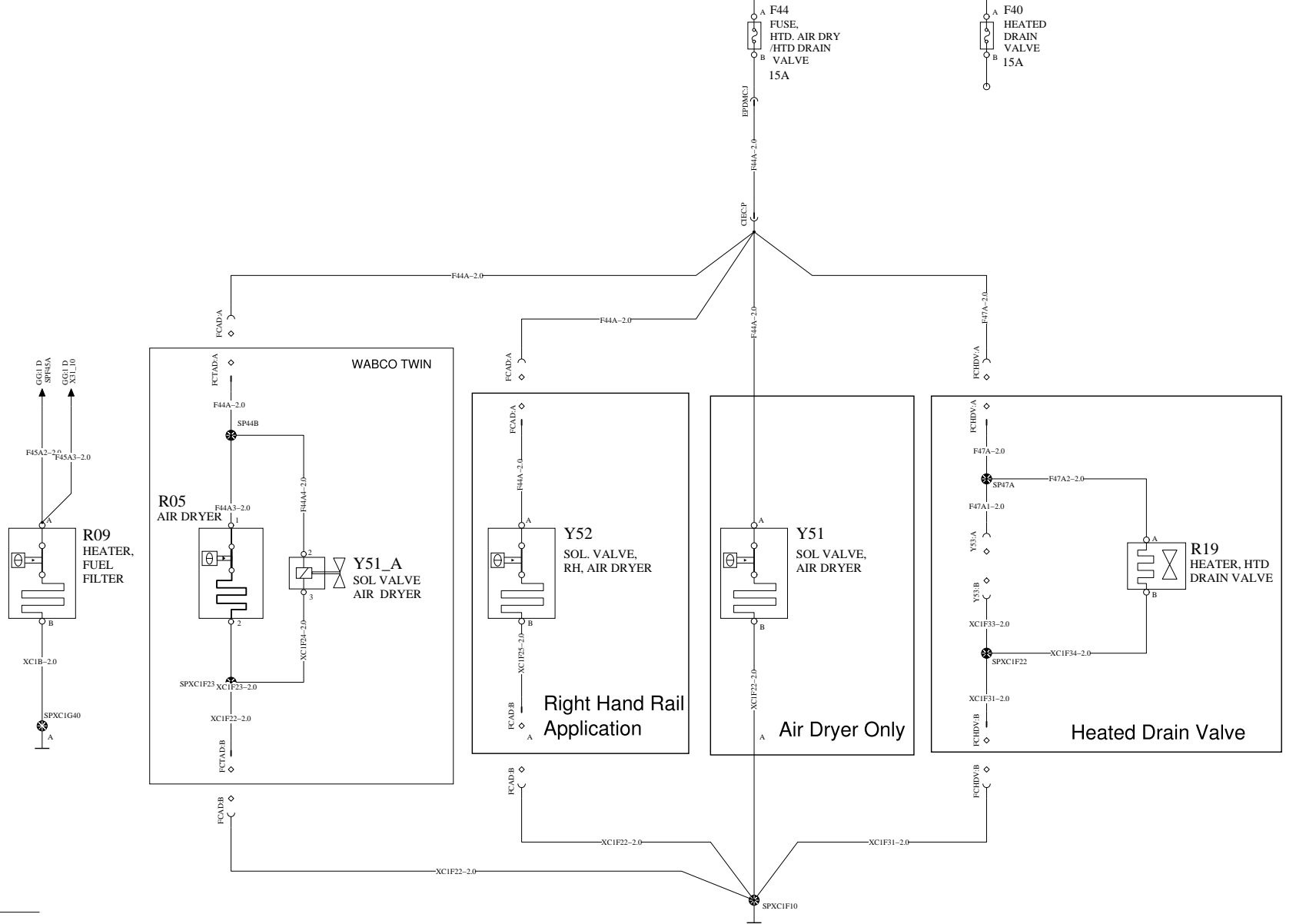
Document title WIRING DIAGRAM - PC28 - 12V MACK - 2013BP - ENG-CU12	Document No 22234428	Issue 02	Volume 01	Page 42 (83)
Document type PRODUCT SCHEMATIC				

AIR DRYER /HEATED DRAIN

WIRING DIAGRAM: FA

BATT
IGN
EMS
ILLUM

BATT
IGN
EMS
ILLUM



Group Trucks Technology

Document title
WIRING DIAGRAM - PC28 - 12V MACK - 2013BP - ENG-CU12
Document type
PRODUCT SCHEMATIC

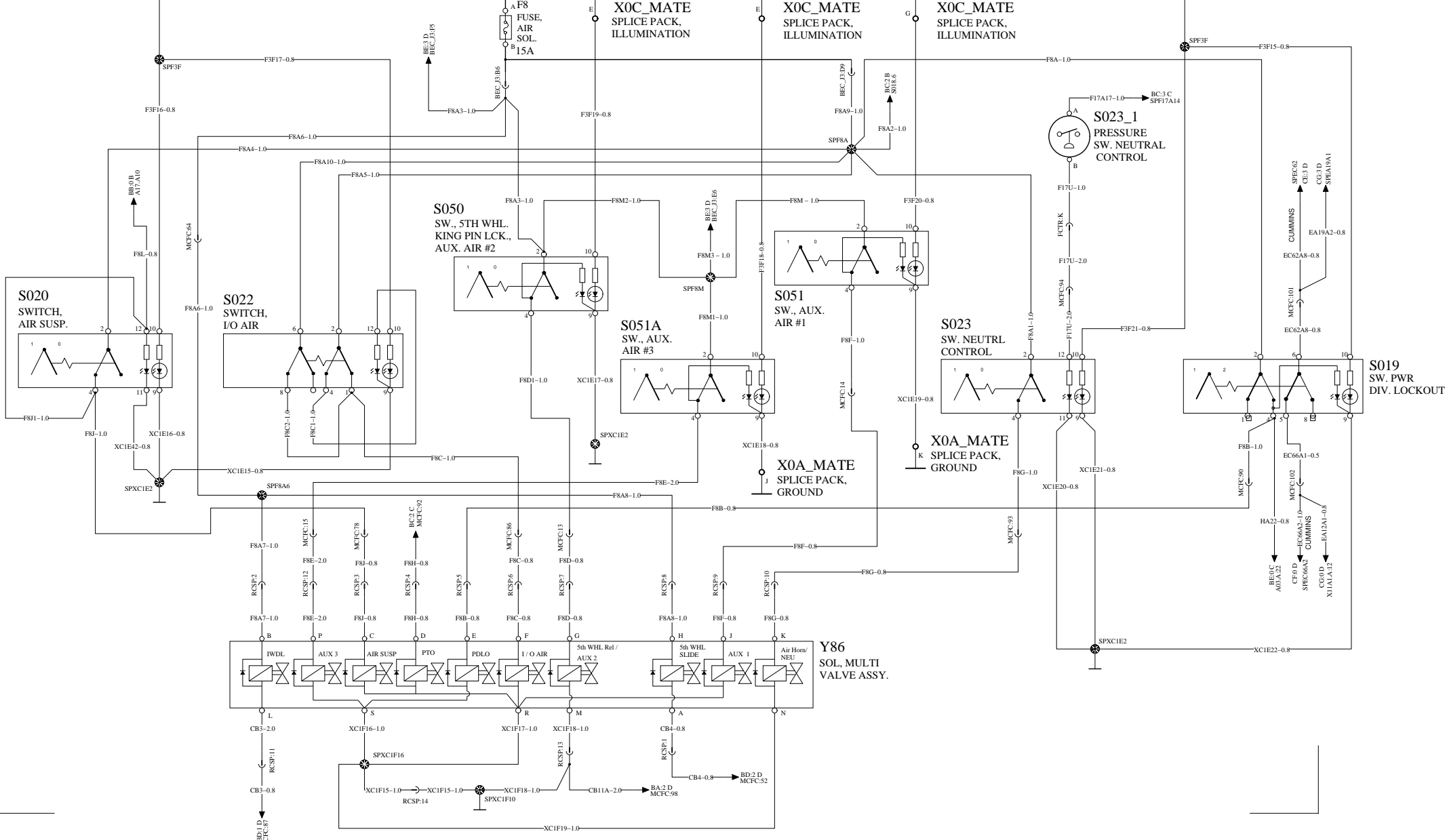
Document No
22234428

Issue	Volume	Page
02	01	44 (83)

CHASSIS SOLENOIDS

WIRING DIAGRAM: FB

BATT
IGN
EMS
ILLUM

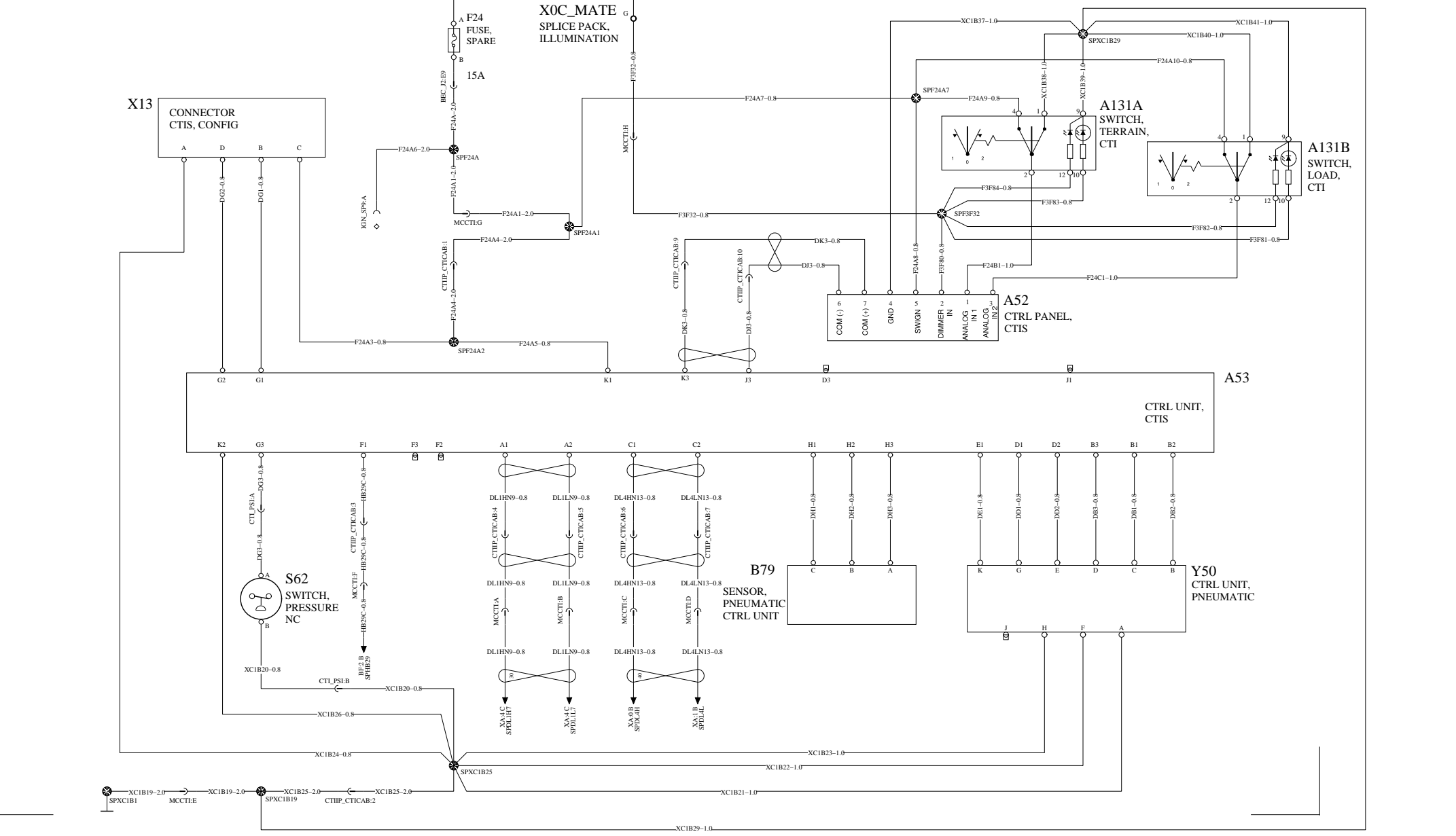


CENTRAL TIRE INFLATION

WIRING DIAGRAM: FE

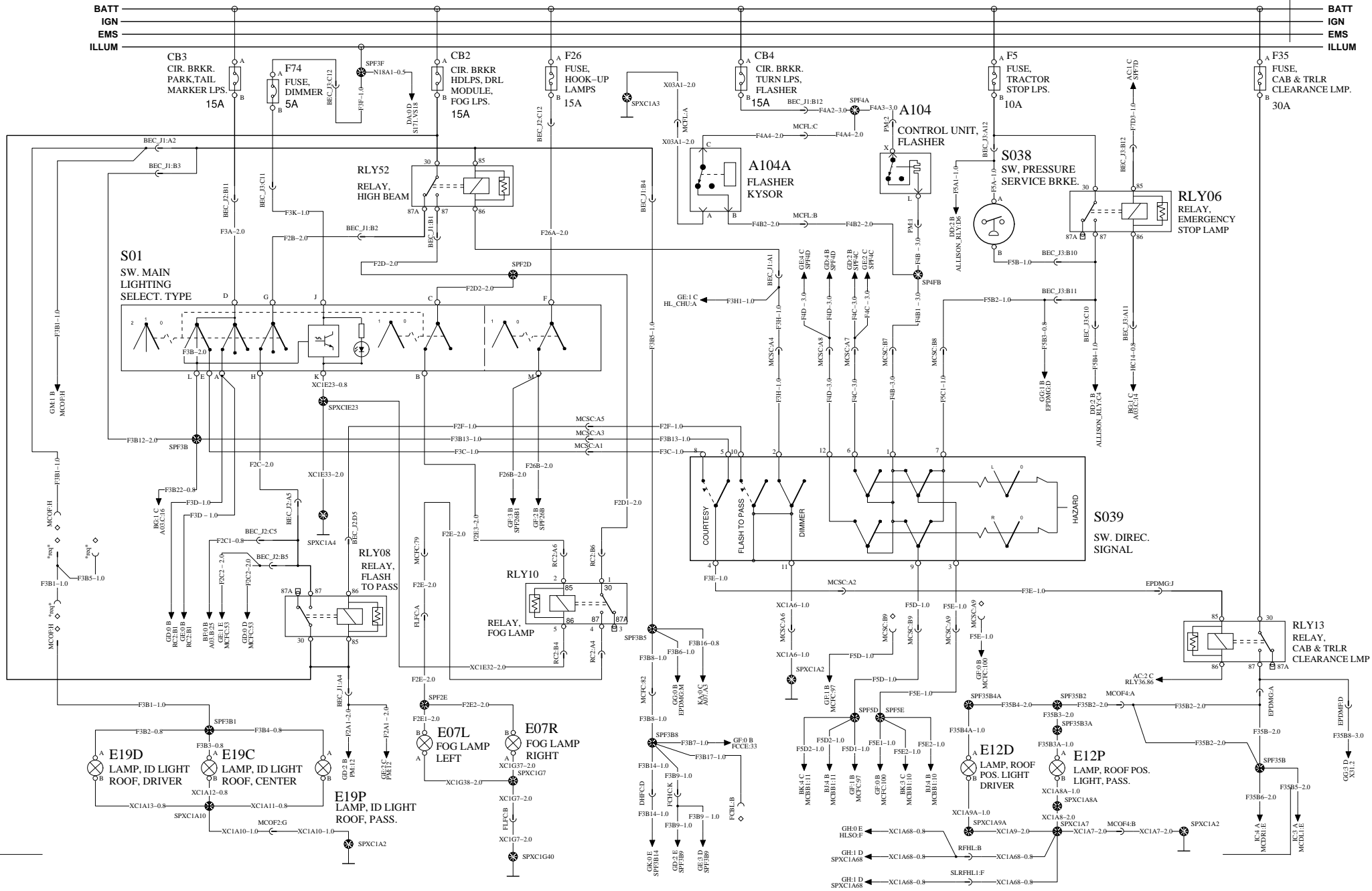
BATT
IGN
EMS
ILLUM

BATT
IGN
EMS
ILLUM



LIGHTING CONTROL

WIRING DIAGRAM: GA



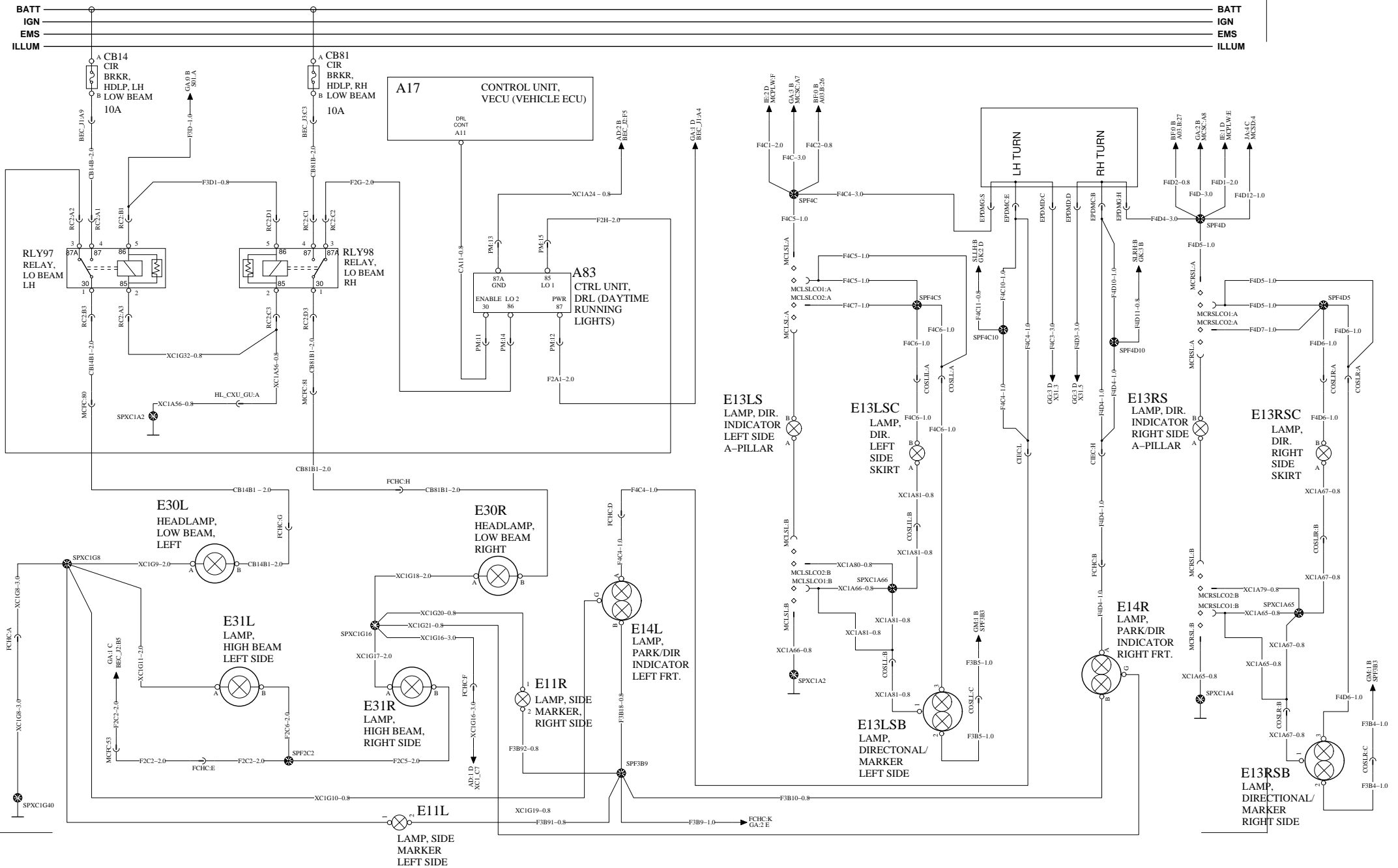
Document title
WIRING DIAGRAM - PC28 - 12V MACK - 2013BP - ENG-CU12

Document type
PRODUCT SCHEMATIC

Document No	Issue	Volume	Page
22234428	02	01	48 (83)

LIGHTING- FORWARD/SIGNAL (CXU, GU7 & GU8)

WIRING DIAGRAM: GD



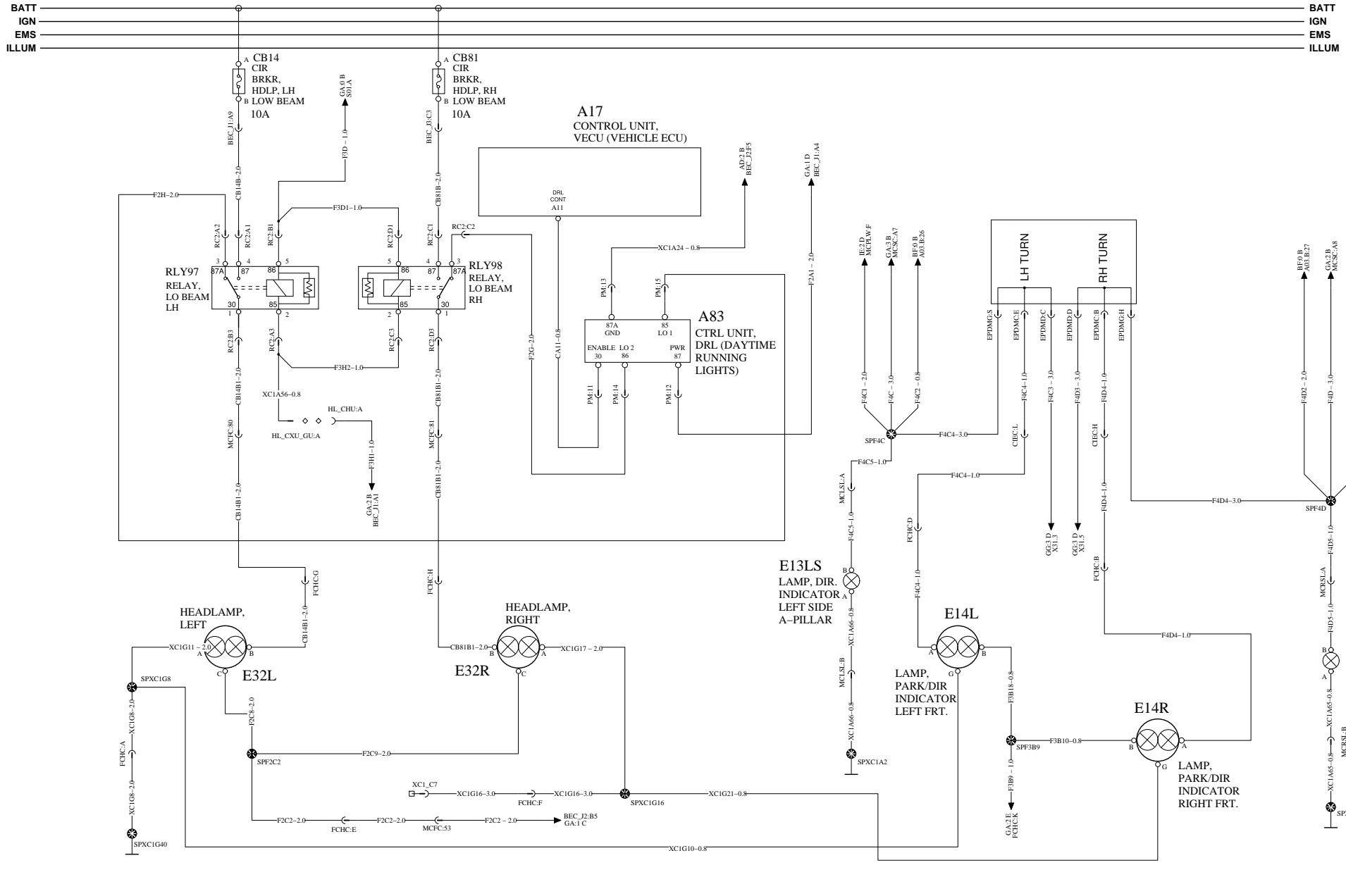
Group Trucks Technology

Document title
 WIRING DIAGRAM - PC28 - 12V MACK - 2013BP - ENG-CU12
 Document type
 PRODUCT SCHEMATIC

Document No	Issue	Volume	Page
22234428	02	01	49 (83)

LIGHTING- FORWARD/SIGNAL (CHU ONLY)

WIRING DIAGRAM: GE

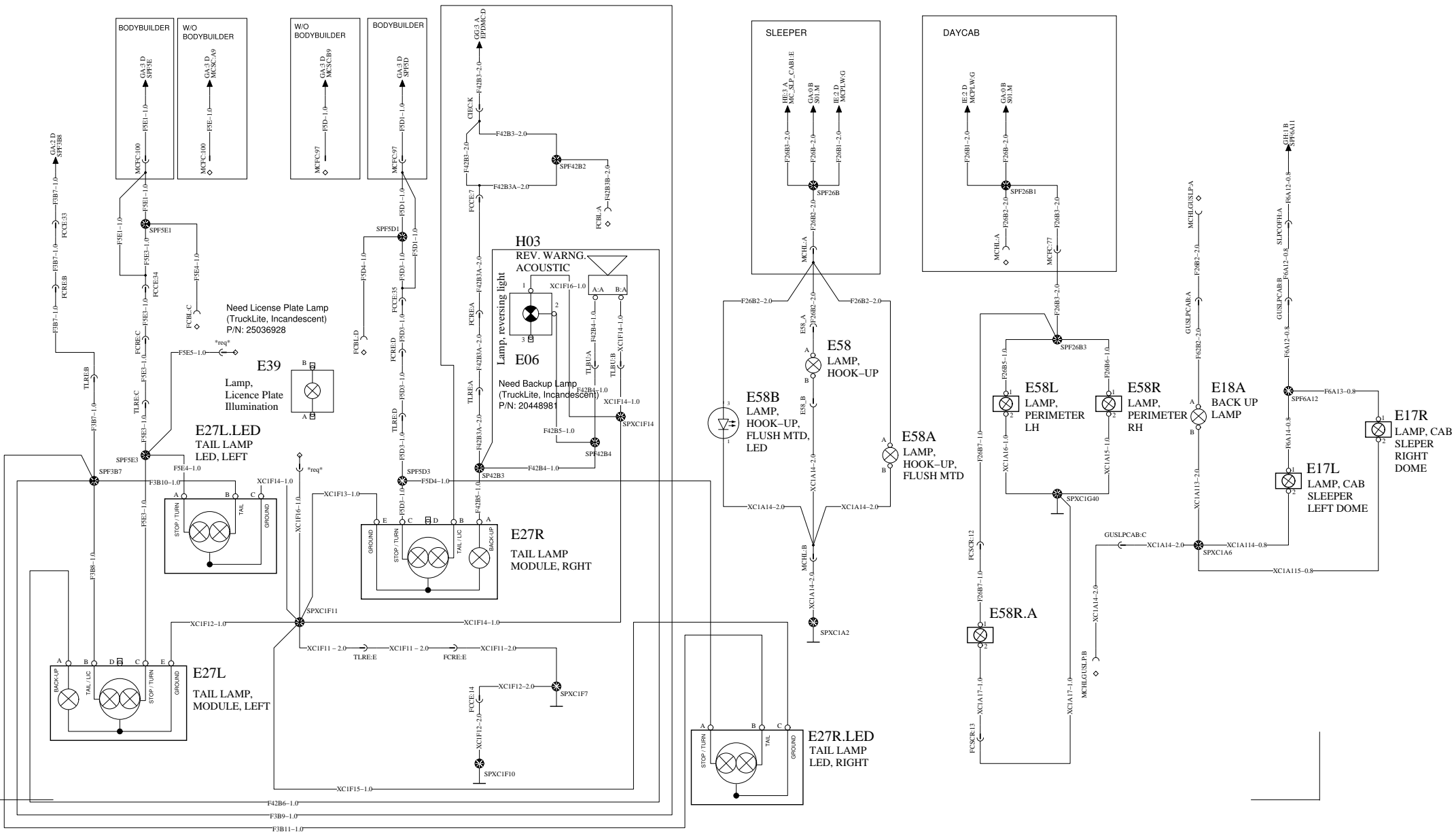


LIGHTING -TAIL/PERIMETER

WIRING DIAGRAM: GF

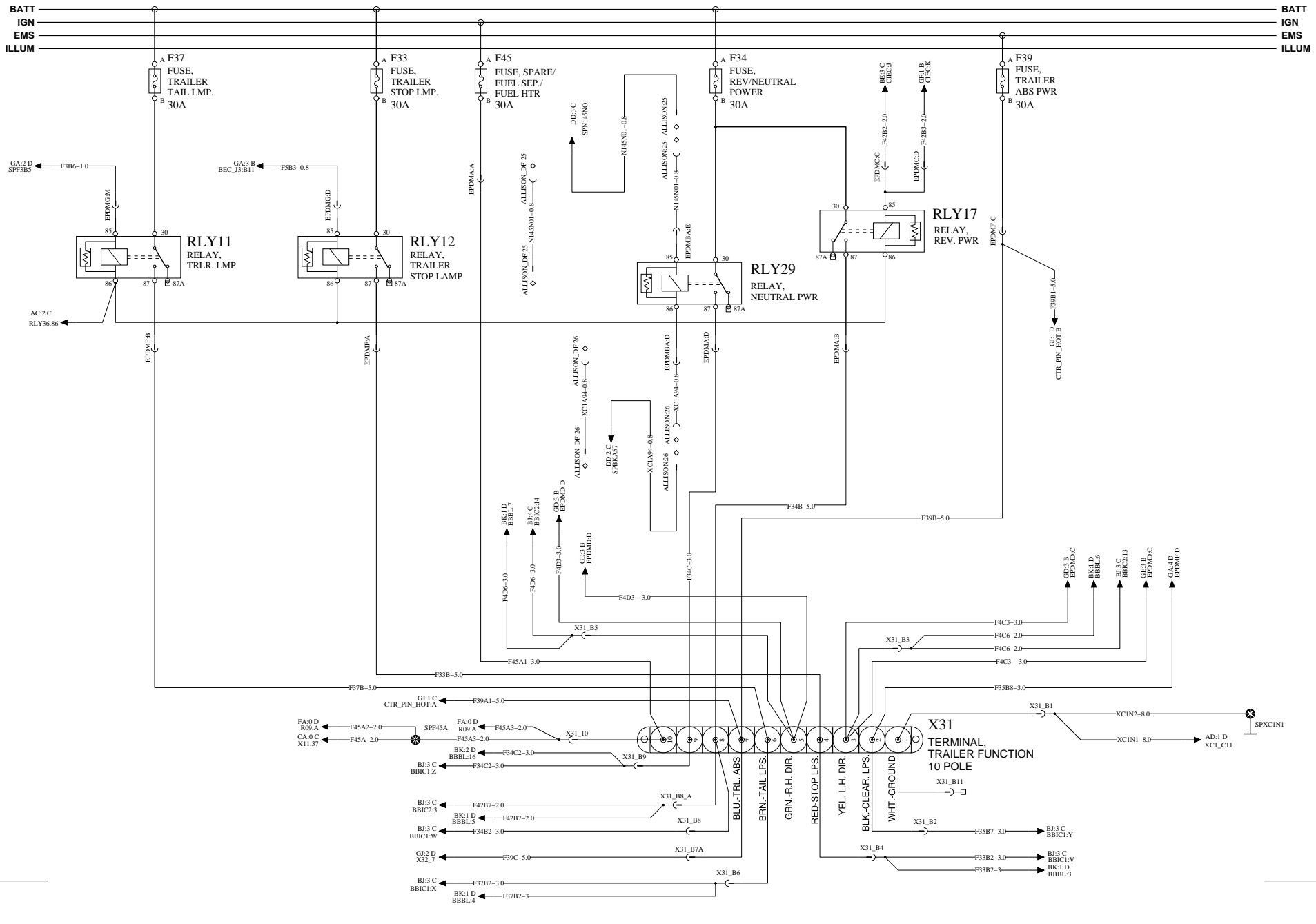
BATT
IGN
EMS
ILLUM

BATT
IGN
EMS
ILLUM



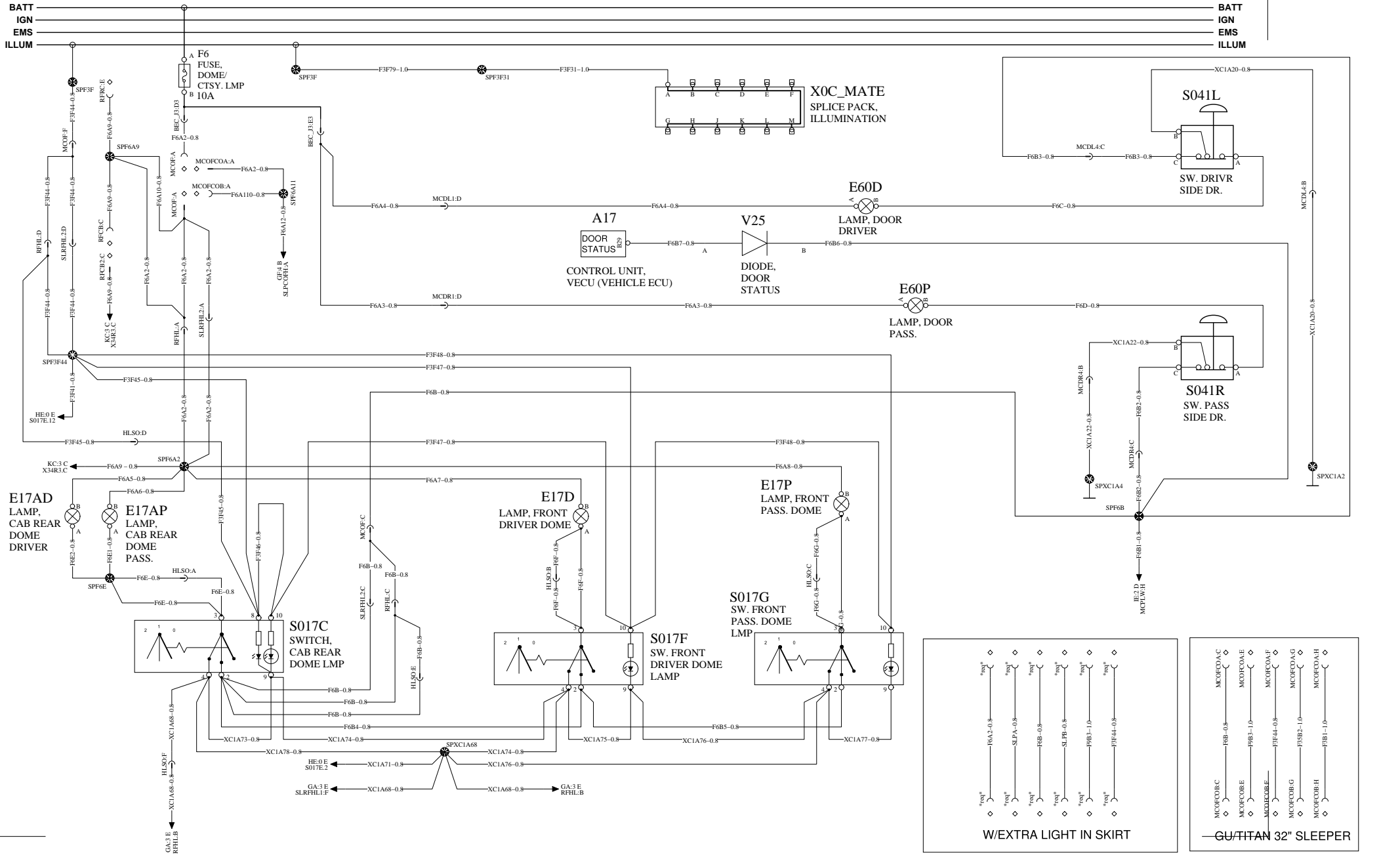
TRAILER LIGHTING CONTROL

WIRING DIAGRAM: GG



INTERIOR LIGHTING

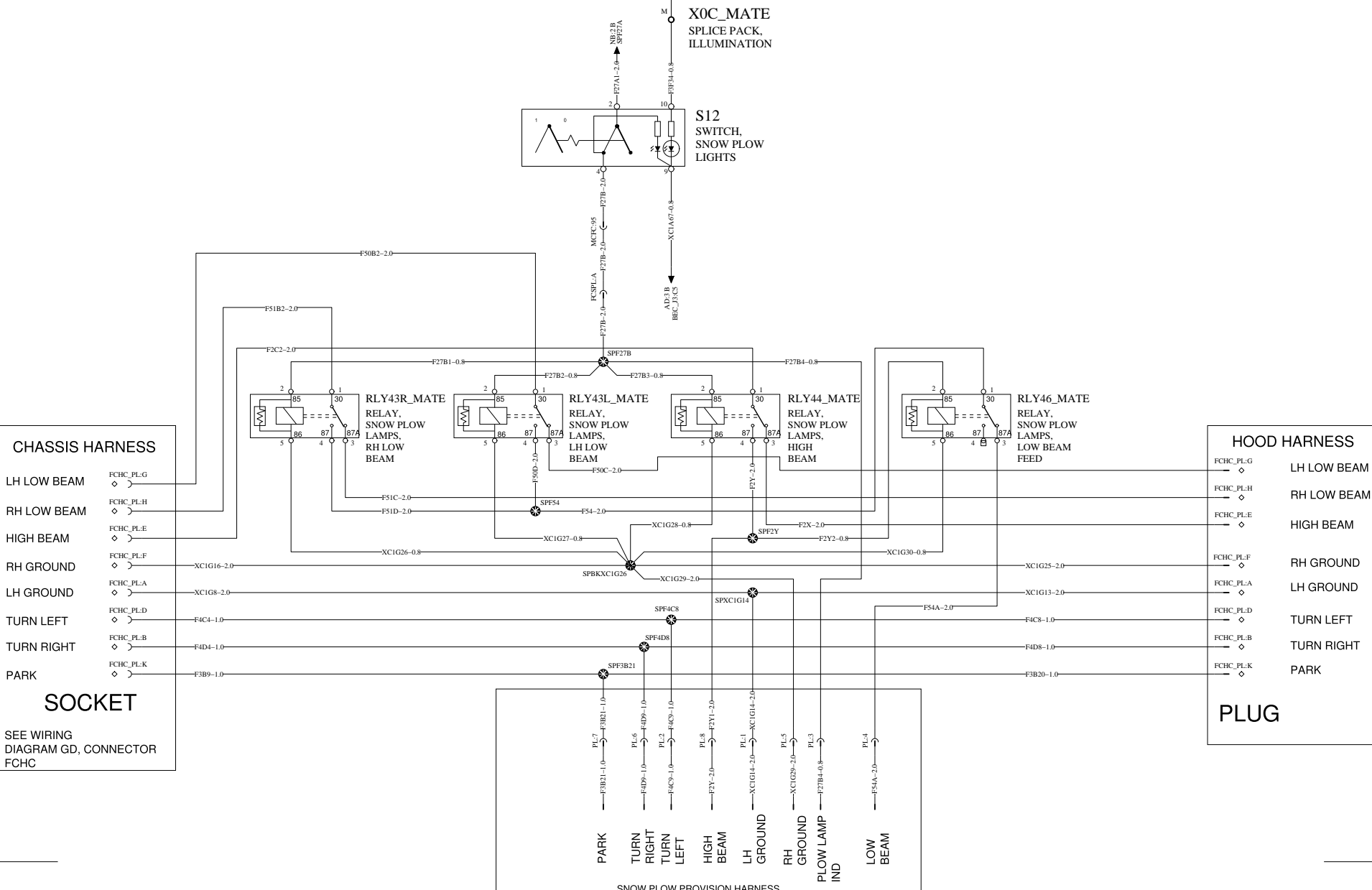
WIRING DIAGRAM: GH



SNOW PLOW PREP CONNECTOR

WIRING DIAGRAM: GI

BATT	_____	BATT
IGN	_____	IGN
EMS	_____	EMS
ILLUM	_____	ILLUM

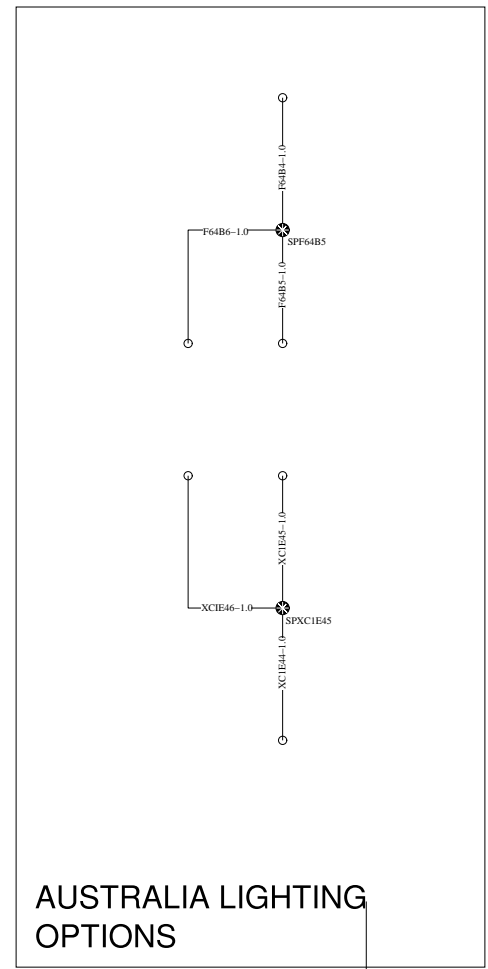
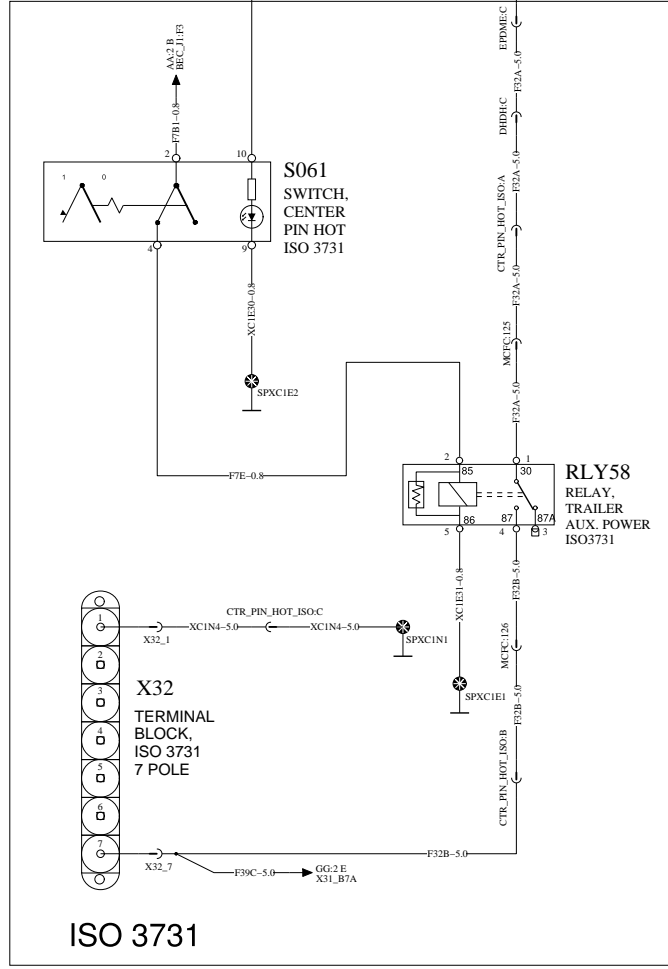
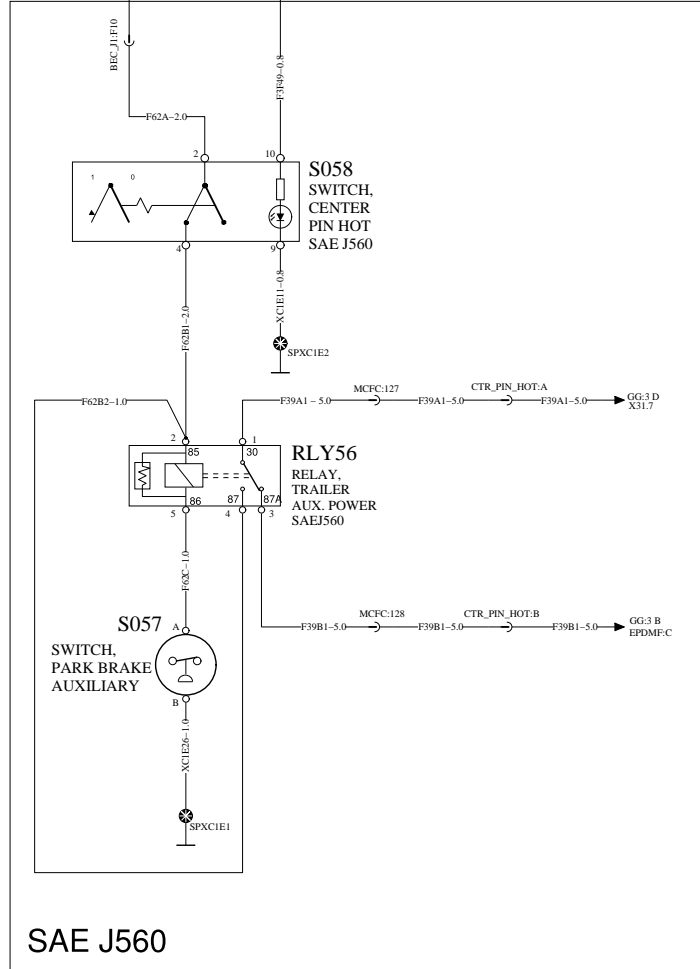


TRAILER RECEPTACLE CENTER PIN HOT

WIRING DIAGRAM: GJ

BATT
IGN
EMS
ILLUM

BATT
IGN
EMS
ILLUM



Group Trucks Technology

Document title
WIRING DIAGRAM - PC28 - 12V MACK - 2013BP - ENG-CU12

Document type
PRODUCT SCHEMATIC

Document No

22234428

Issue

02

Volume

01

Page

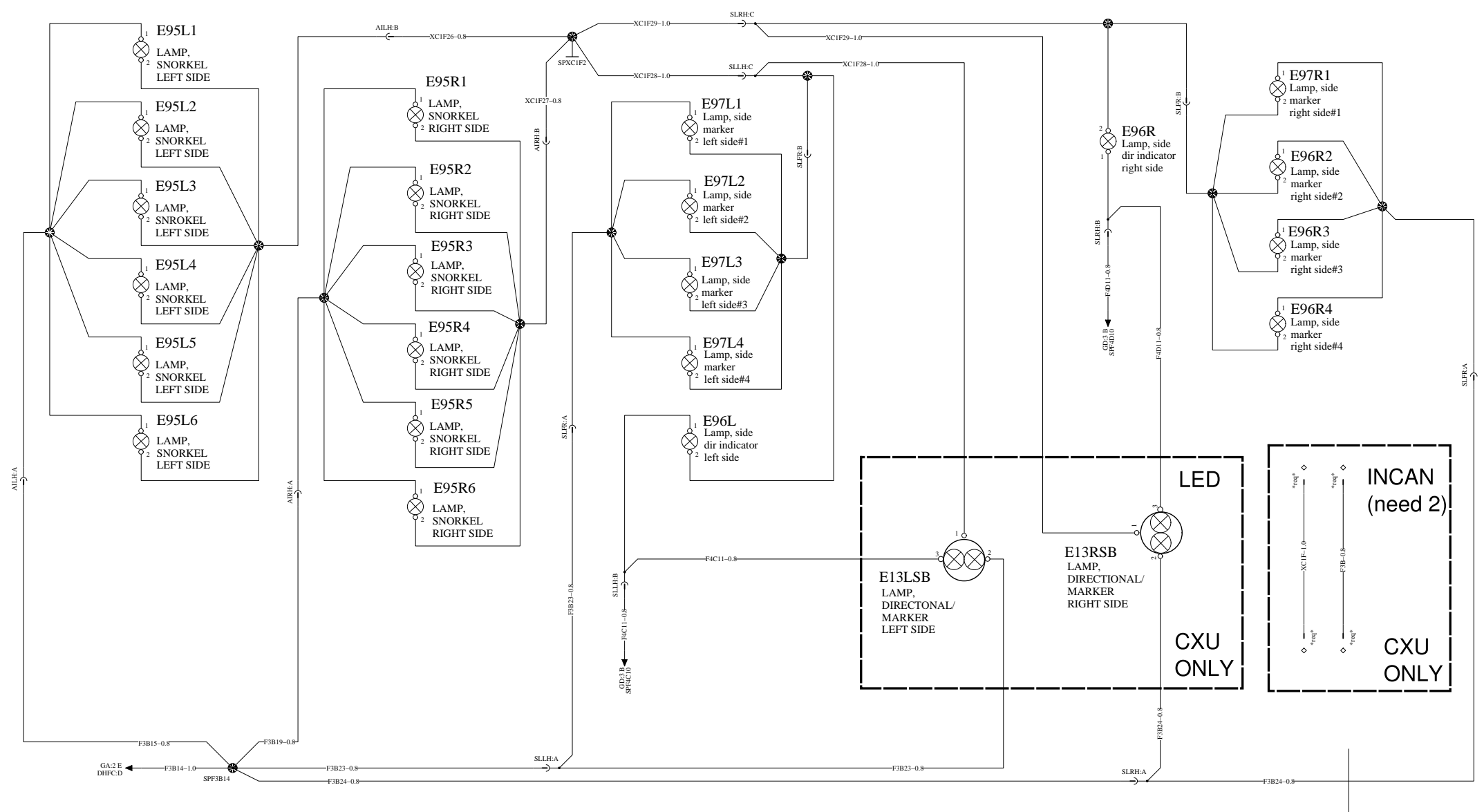
55 (83)

TITAN LIGHTING OPTIONS

WIRING DIAGRAM: GK

BATT
IGN
EMS
ILLUM

BATT
IGN
EMS
ILLUM



Group Trucks Technology

Document title
WIRING DIAGRAM - PC28 - 12V MACK - 2013BP - ENG-CU12

Document type
PRODUCT SCHEMATIC

Document No
22234428

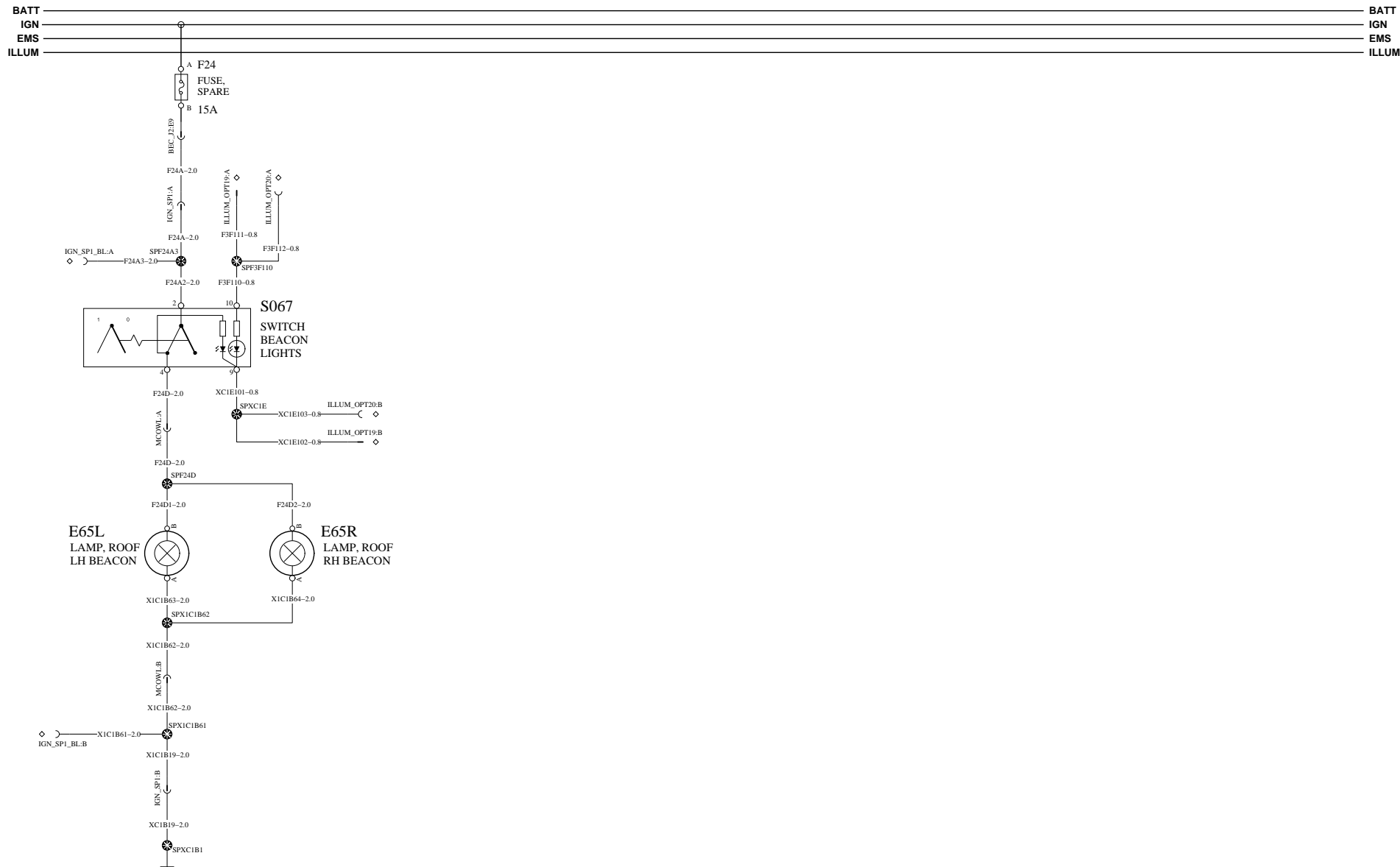
Issue
02

Volume
01

Page
56 (83)

LIGHTING - BEACON LAMPS

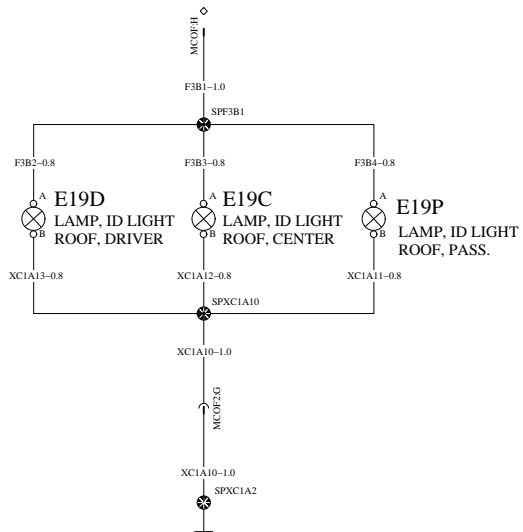
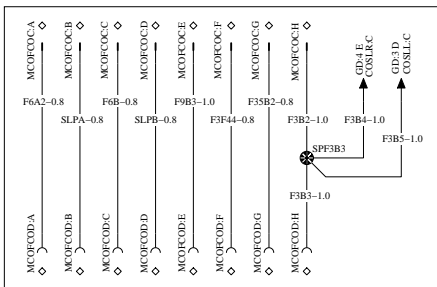
WIRING DIAGRAM: GL



BATT
IGN
EMS
ILLUM

BATT
IGN
EMS
ILLUM

W/EXTRA LIGHT IN SKIRT

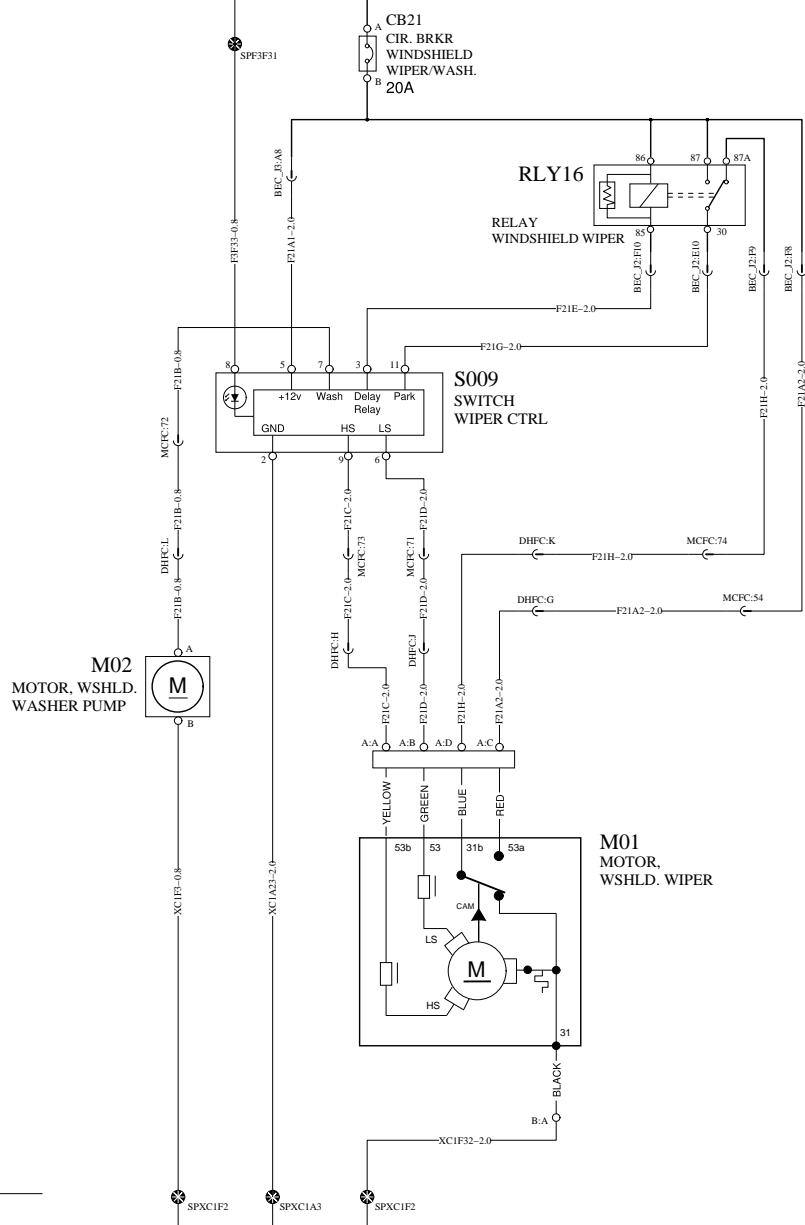


WIPER/WASHER

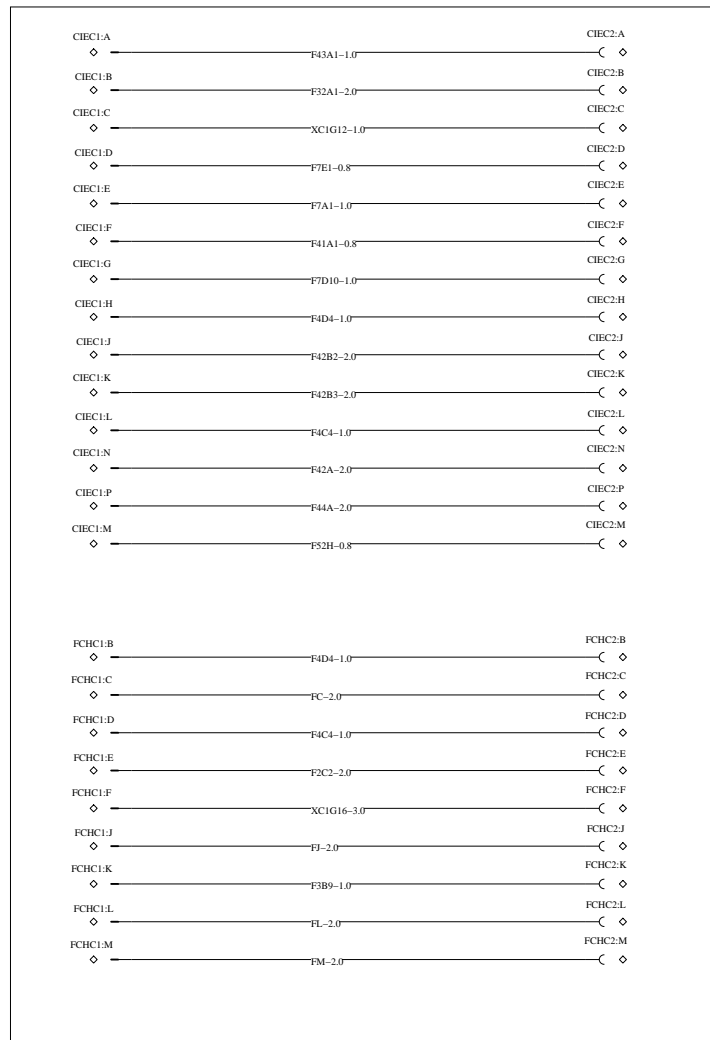
WIRING DIAGRAM: GP

BATT
IGN
EMS
ILLUM

BATT
IGN
EMS
ILLUM



PASSTHROUGH WIRES FOR CHASSIS DRL OVERLAY

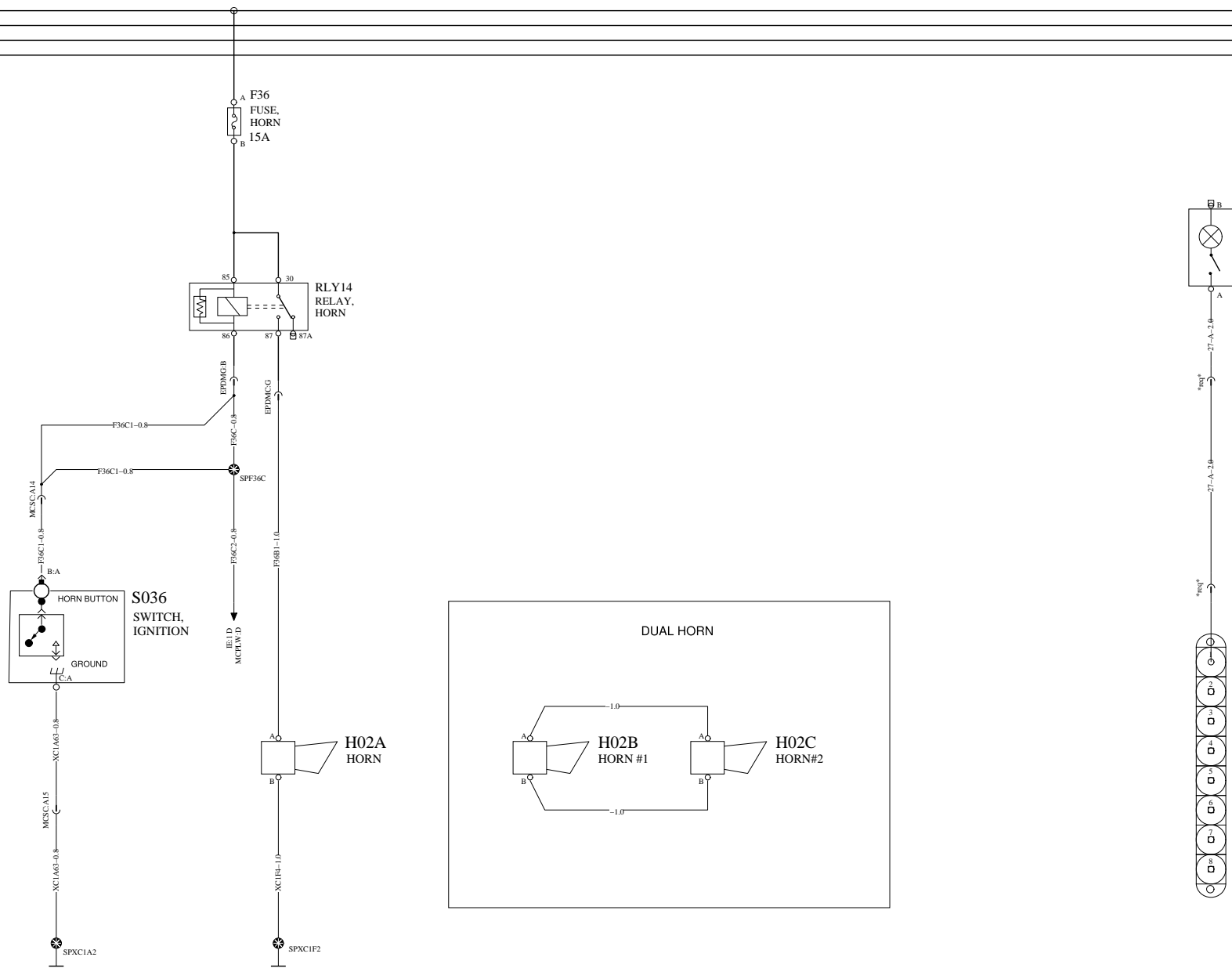


HORN WIRING/ SPOTLIGHT

WIRING DIAGRAM: GQ

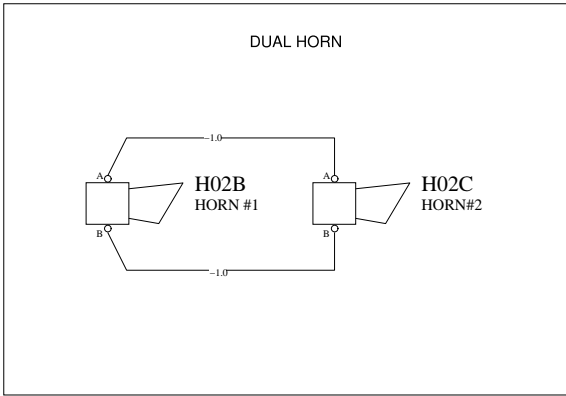
BATT
IGN
EMS
ILLUM

BATT
IGN
EMS
ILLUM



EL1
Lamp,
Extra spotlamp, roof

X40
Strip,
Option
Junction
Studs



Group Trucks Technology

Document title
WIRING DIAGRAM - PC28 - 12V MACK - 2013BP - ENG-CU12

Document type
PRODUCT SCHEMATIC

Document No

22234428

Issue

02

Volume

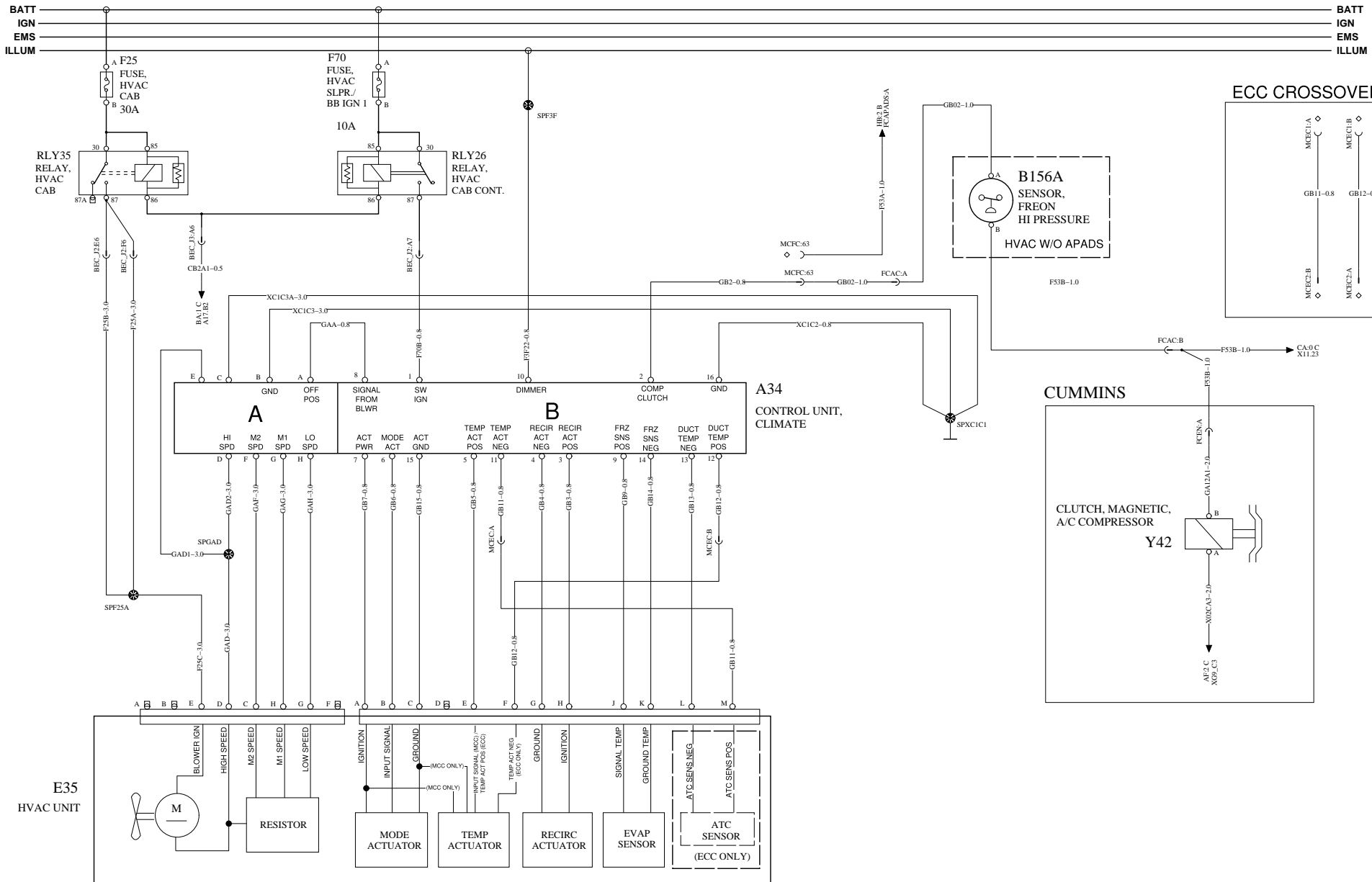
01

Page

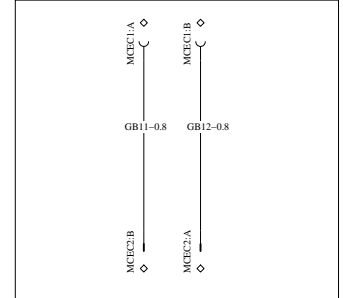
60 (83)

CLIMATE CONTROL

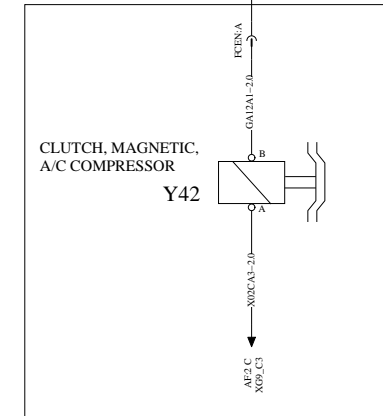
WIRING DIAGRAM: HA



ECC CROSSOVER JUMPER

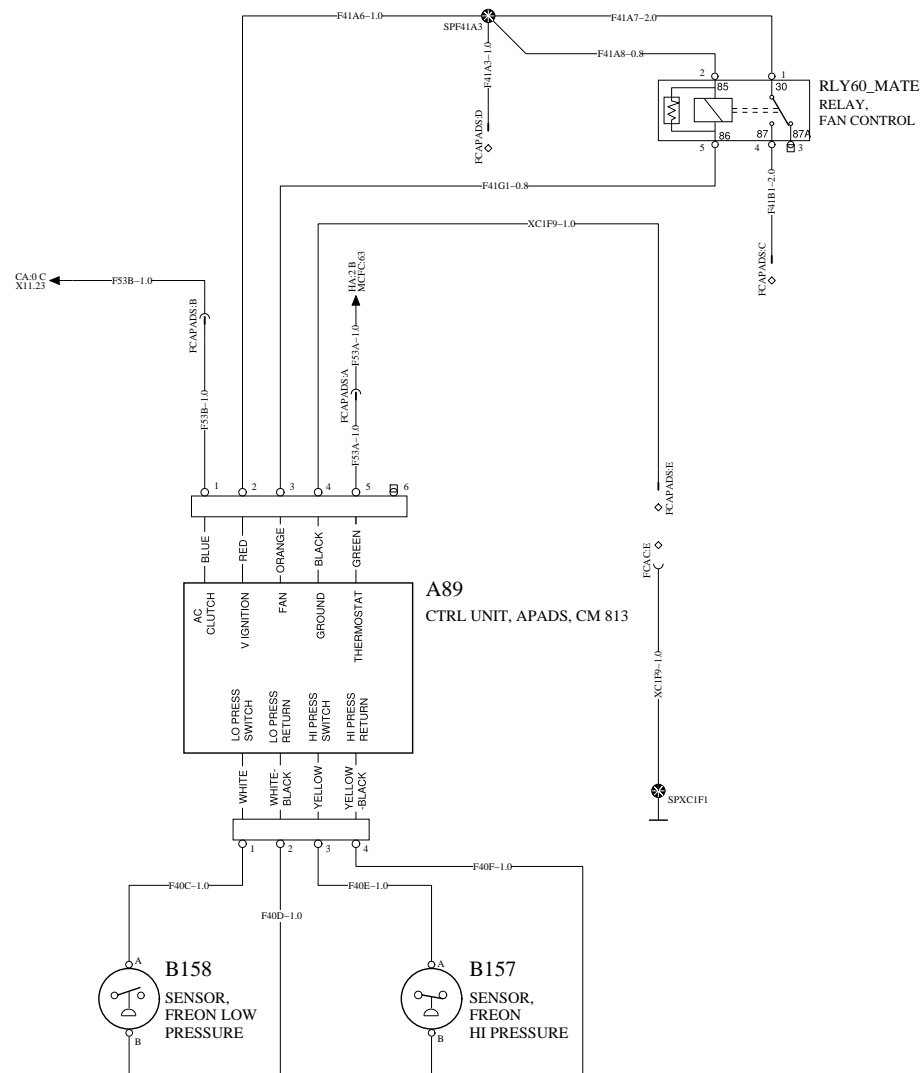


CUMMINS



BATT
IGN
EMS
ILLUM

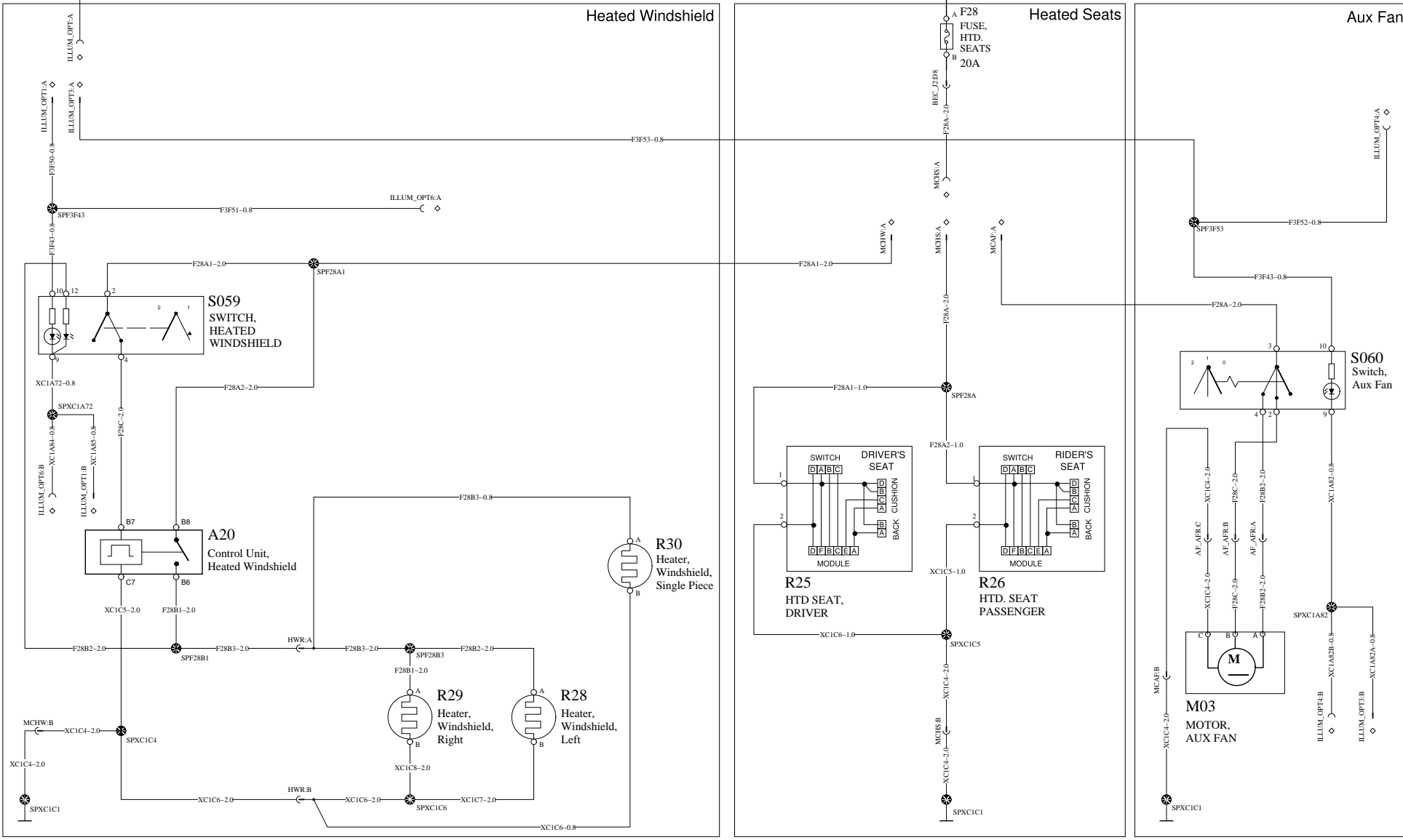
BATT
IGN
EMS
ILLUM



HEATED SEATS, HEATED WINDSHIELD, AUX FAN 1/2

WIRING DIAGRAM: HC

BATT
IGN
EMS
ILLUM



Group Trucks Technology

Document title
WIRING DIAGRAM - PC28 - 12V MACK - 2013BP - ENG-CU12
Document type
PRODUCT SCHEMATIC

Document No

22234428

Issue

02

Volume

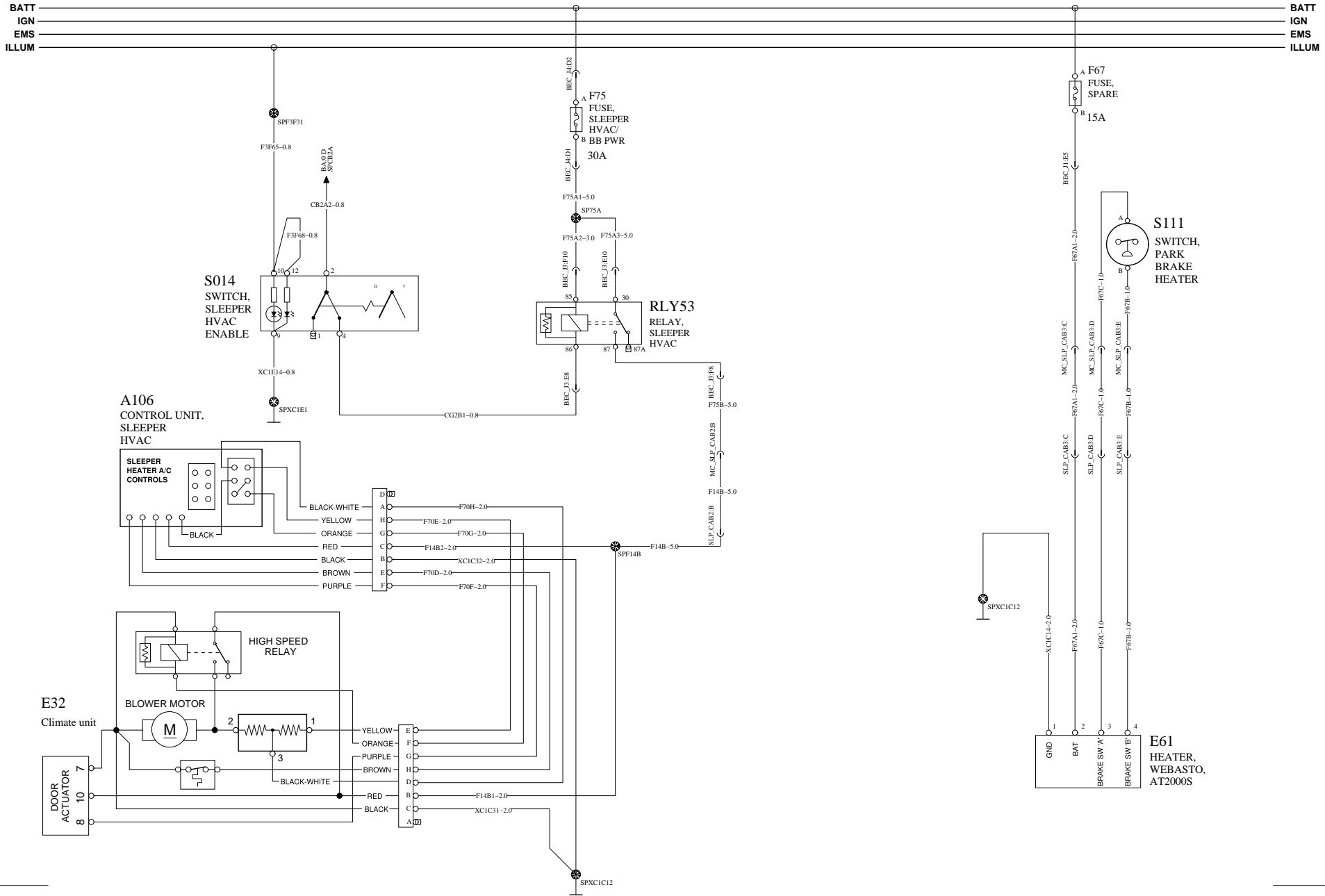
01

Page

63 (83)

SLEEPER CLIMATE CONTROL

WIRING DIAGRAM: HD



Group Trucks Technology

Document title
WIRING DIAGRAM - PC28 - 12V MACK - 2013BP - ENG-CU12
Document type
PRODUCT SCHEMATIC

Document No
22234428

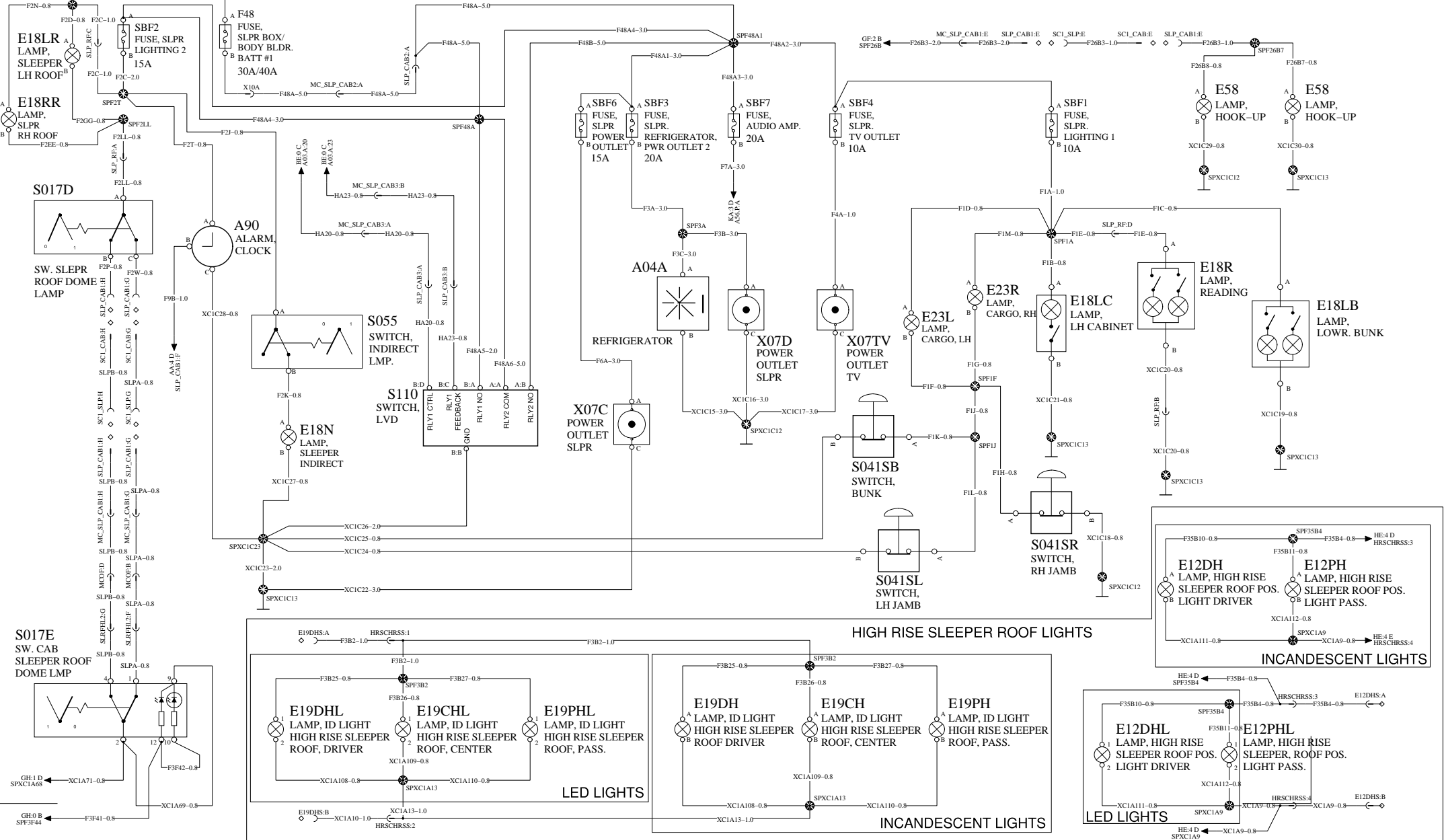
Issue
02
Volume
01
Page
64 (83)

SLEEPER FUNCTIONS

WIRING DIAGRAM: HE

BATT
IGN
EMS
ILLUM

BATT
IGN
EMS
ILLUM



Group Trucks Technology

Document title
WIRING DIAGRAM - PC28 - 12V MACK - 2013BP - ENG-CU12

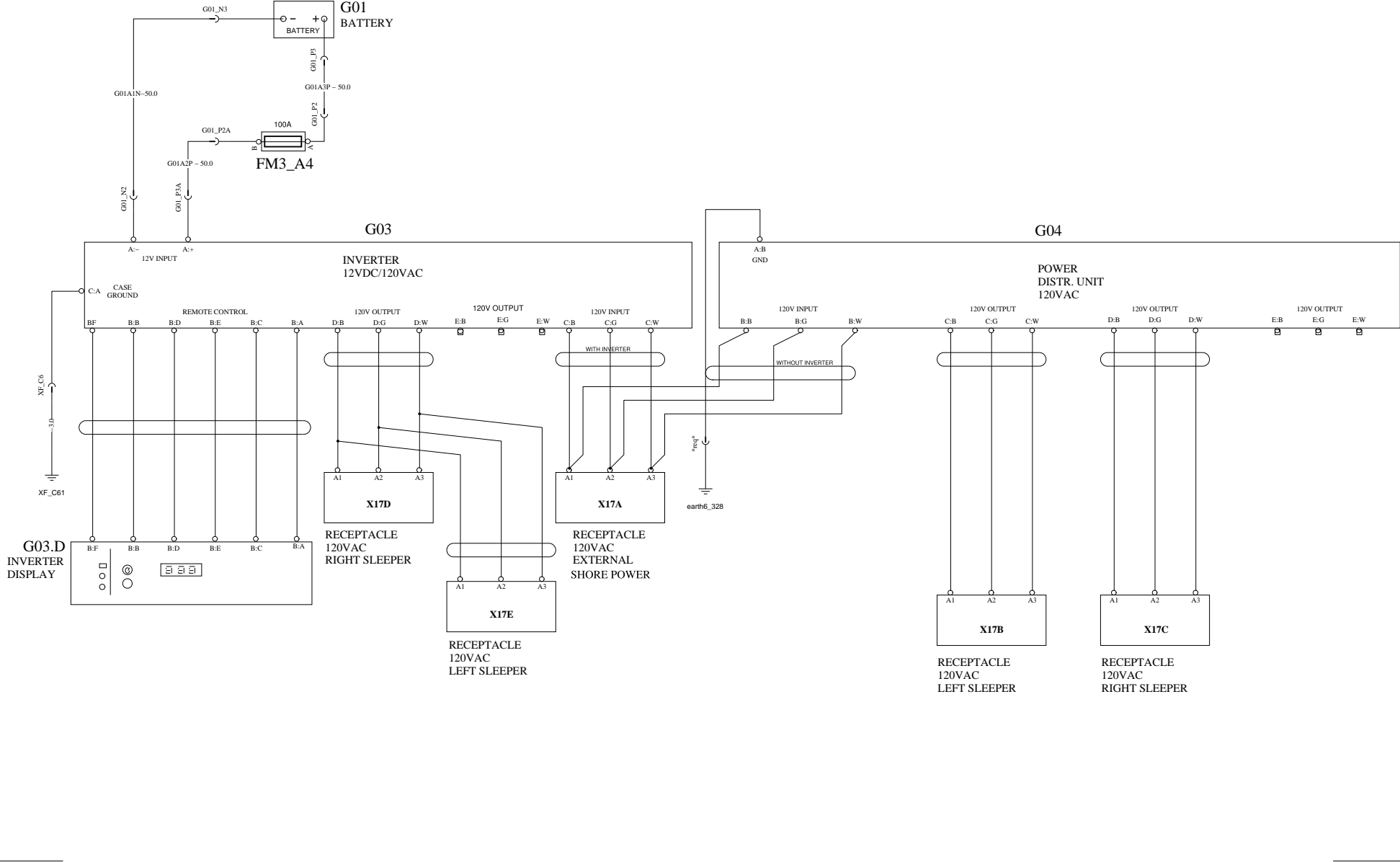
Document type
PRODUCT SCHEMATIC

Document No	Issue	Volume	Page
22234428	02	01	65 (83)

120V AC SYSTEM / INVERTER

WIRING DIAGRAM: HF

BATT _____ BATT
 IGN _____ IGN
 EMS _____ EMS
 ILLUM _____ ILLUM



Group Trucks Technology

Document title
 WIRING DIAGRAM - PC28 - 12V MACK - 2013BP - ENG-CU12
 Document type
 PRODUCT SCHEMATIC

Document No
 22234428

Issue
 02

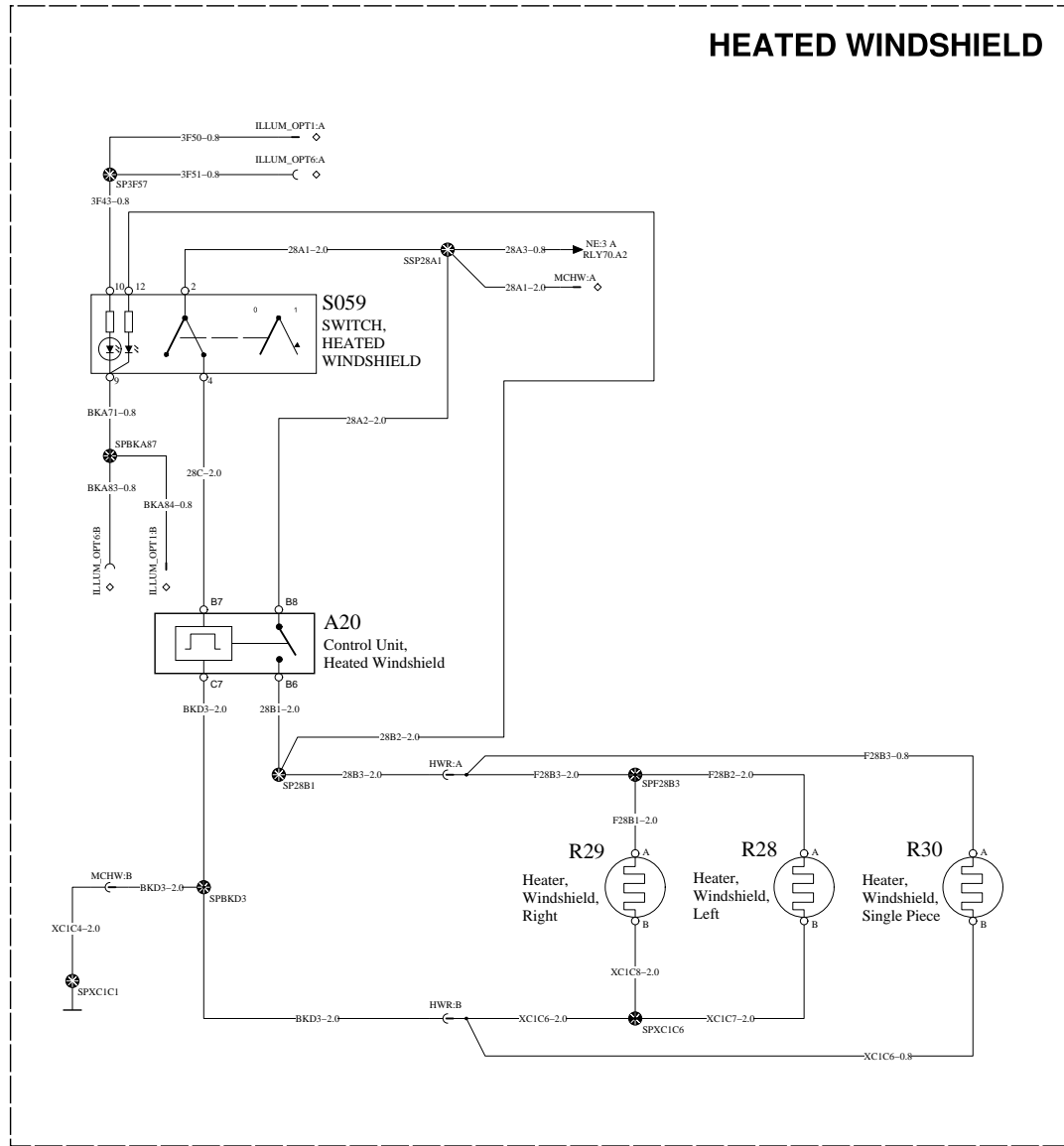
Volume
 01

Page
 66 (83)

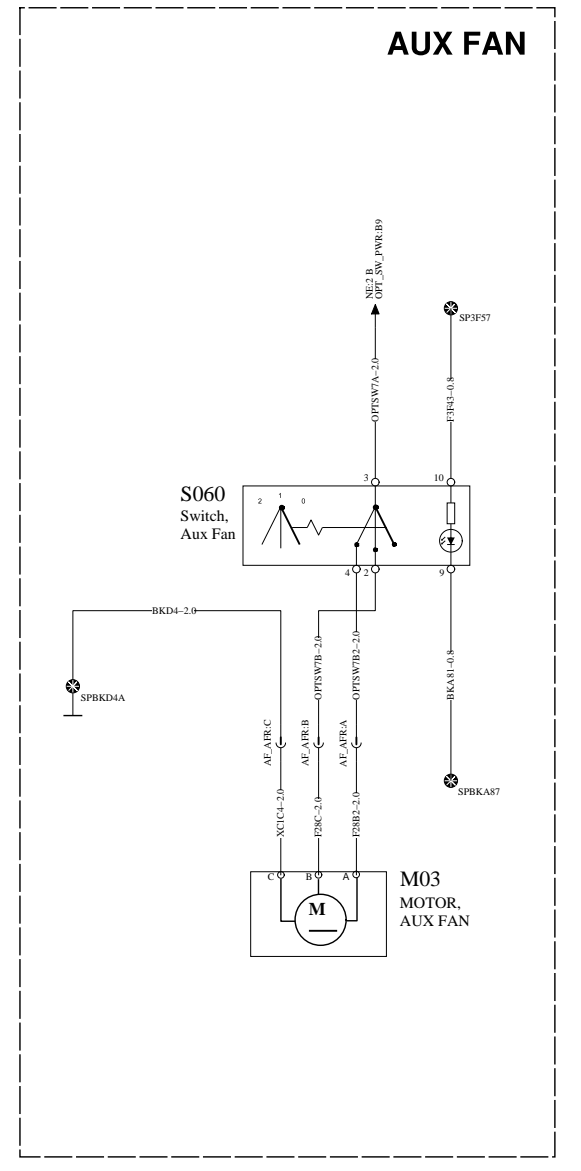
BATT _____
 IGN _____
 EMS _____
 ILLUM _____

BATT _____
 IGN _____
 EMS _____
 ILLUM _____

HEATED WINDSHIELD



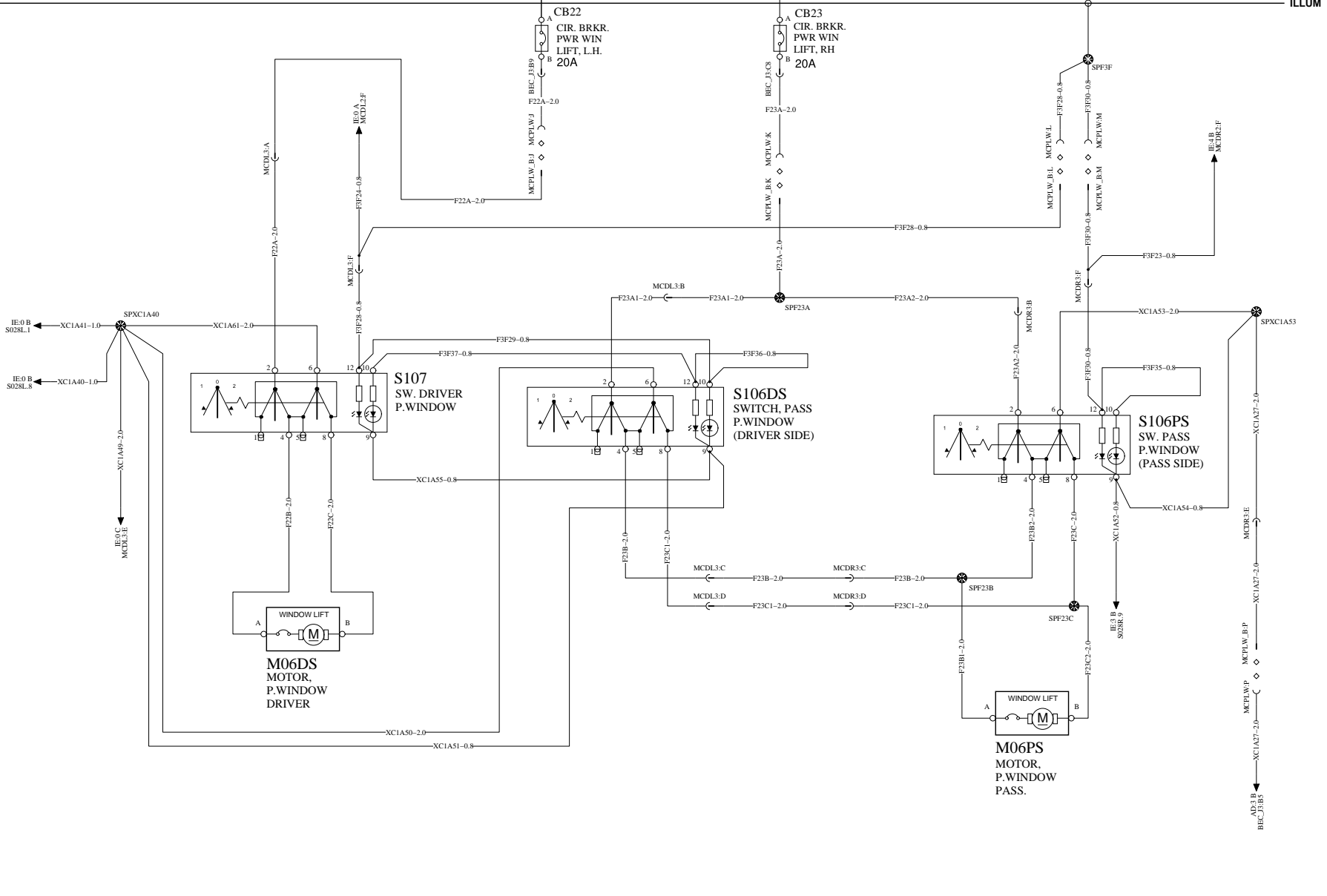
AUX FAN



RH & LH MOTORIZED WINDOWS

WIRING DIAGRAM: IA

BATT
IGN
EMS
ILLUM



Group Trucks Technology

Document title
WIRING DIAGRAM - PC28 - 12V MACK - 2013BP - ENG-CU12
Document type
PRODUCT SCHEMATIC

Document No
22234428

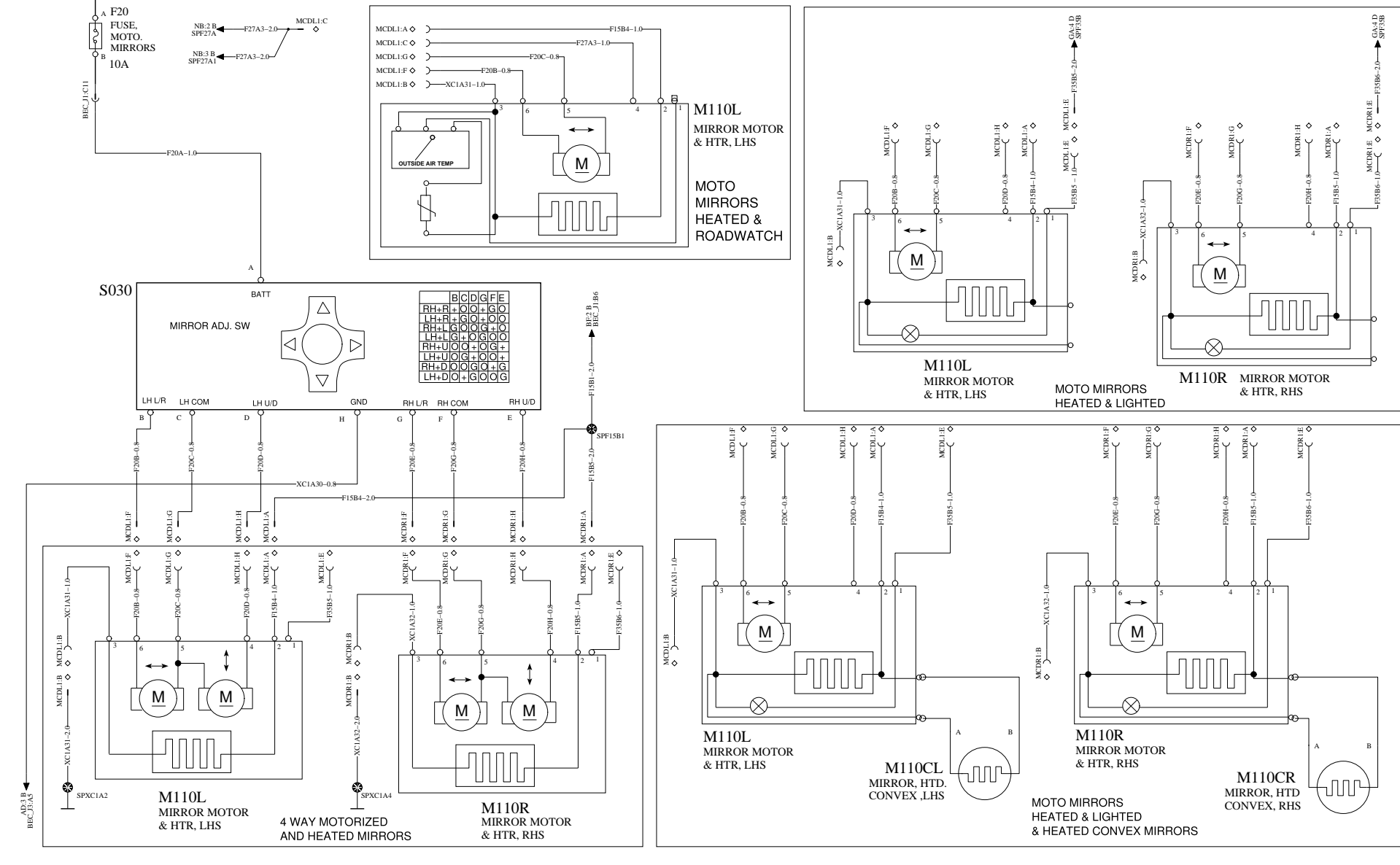
Issue	Volume	Page
02	01	68 (83)

MIRROR CONTROL 1/2

BATT
IGN
EMS
ILLUM

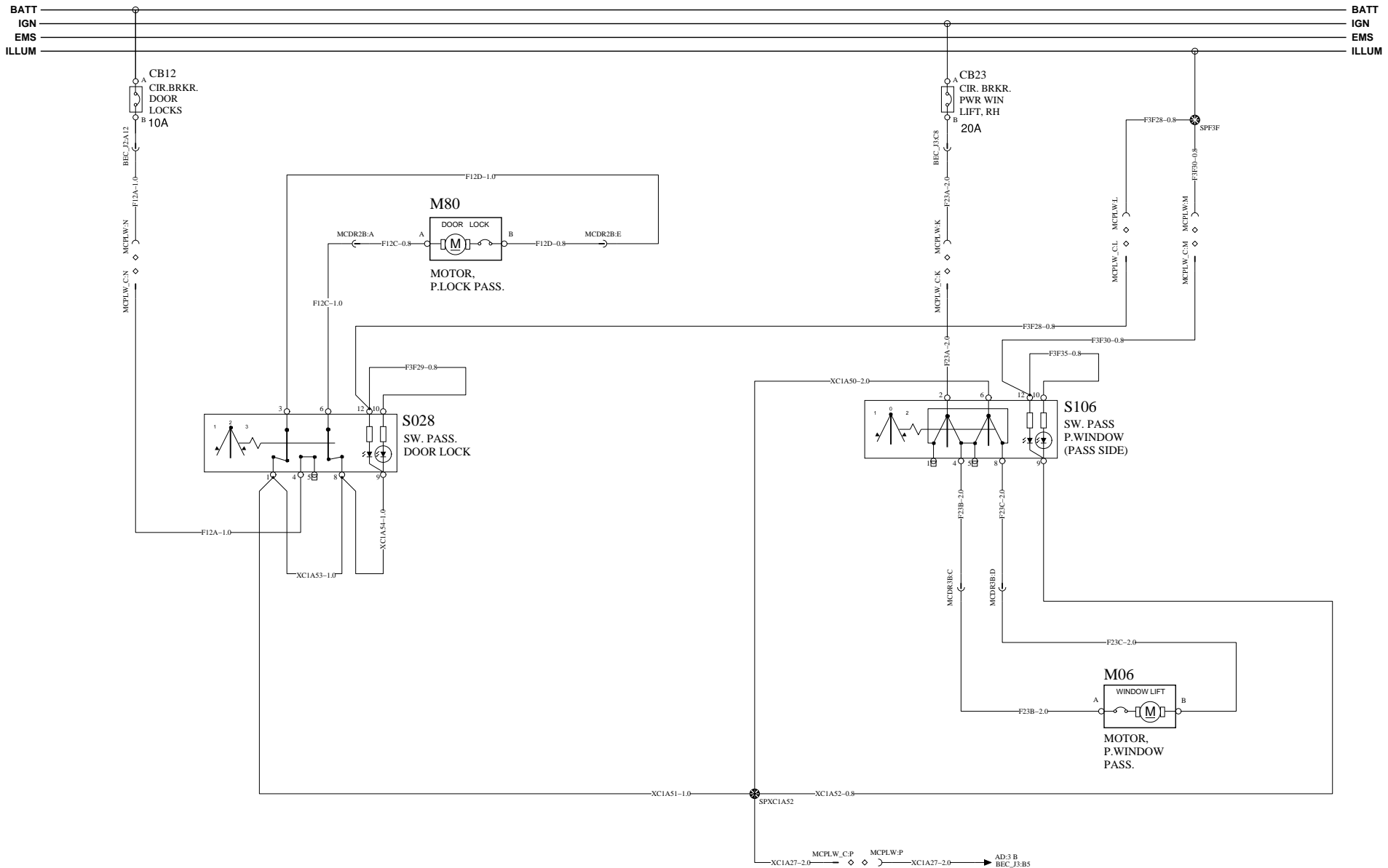
WIRING DIAGRAM: IC

BATT
IGN
EMS
ILLUM



RH ONLY MOTORIZED WINDOWS & DOOR CONTROL

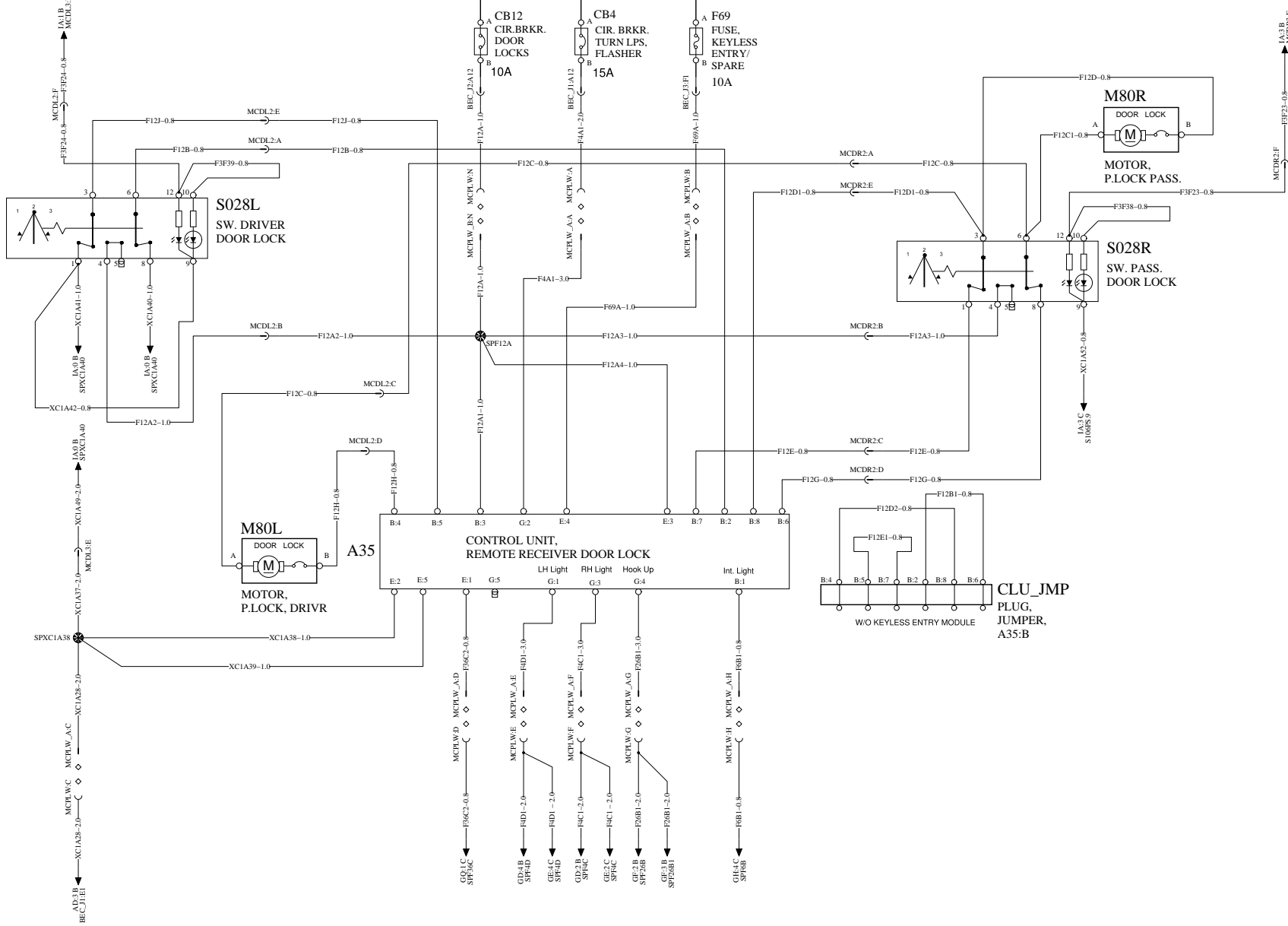
WIRING DIAGRAM: ID



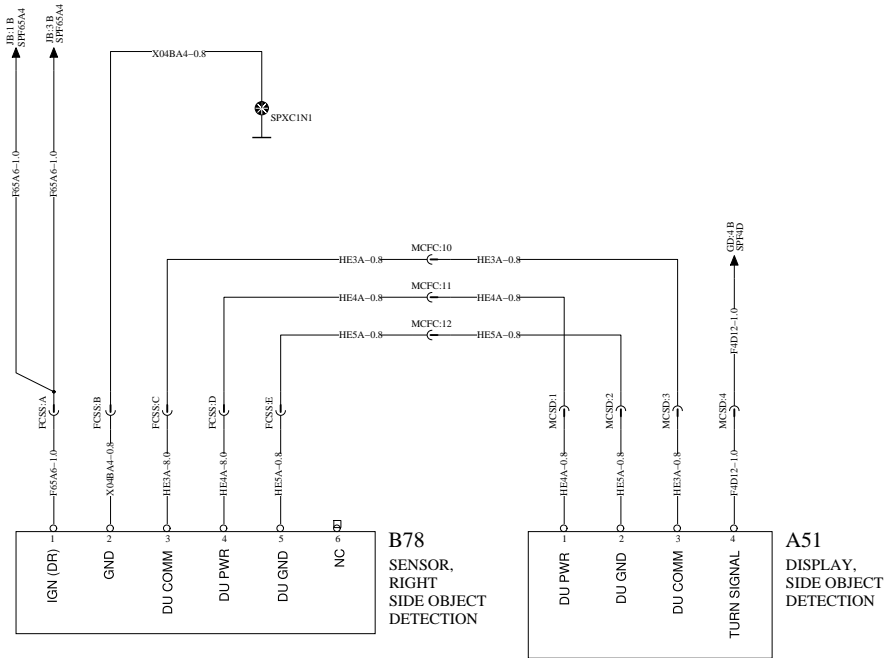
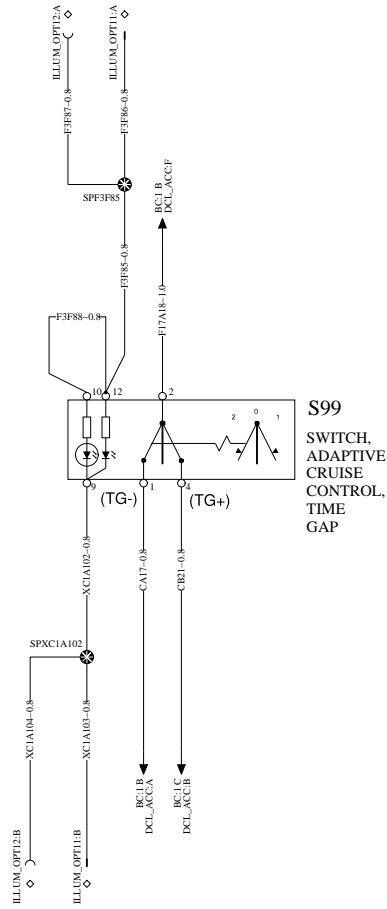
RH & LH DOOR CONTROL

WIRING DIAGRAM: IE

BATT
IGN
EMS
ILLUM



BATT	_____	BATT
IGN	_____	IGN
EMS	_____	EMS
ILLUM	_____	ILLUM

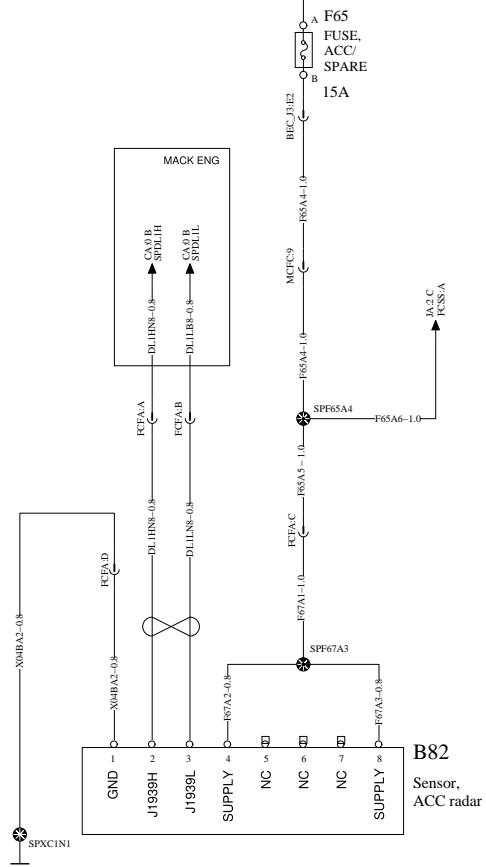


ADAPTIVE CRUISE CONTROL 2/2

WIRING DIAGRAM: JB

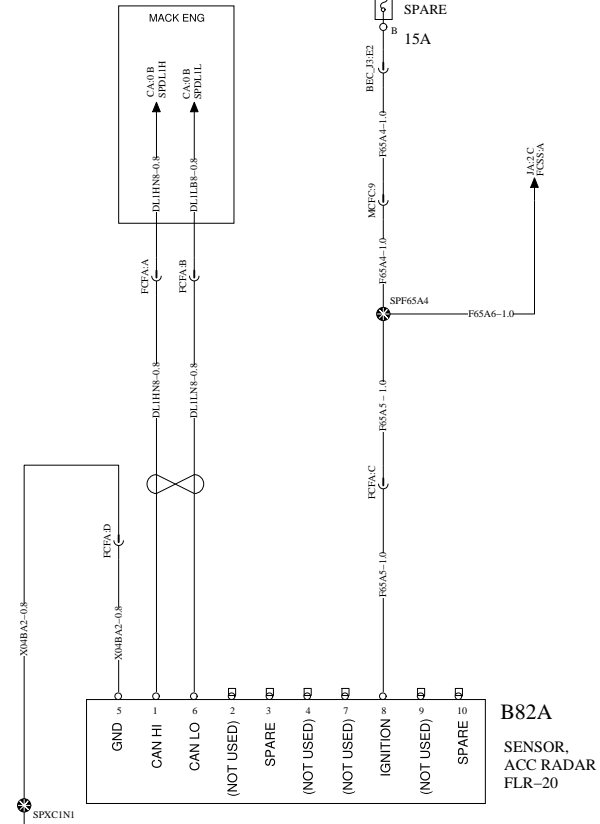
BATT
IGN
EMS
ILLUM

BATT
IGN
EMS
ILLUM



BENDIX FLR-10

B82
Sensor,
ACC radar



BENDIX FLR-20

B82A
SENSOR,
ACC RADAR
FLR-20



Group Trucks Technology

Document title
WIRING DIAGRAM - PC28 - 12V MACK - 2013BP - ENG-CU12

Document type
PRODUCT SCHEMATIC

Document No

22234428

Issue

02

Volume

01

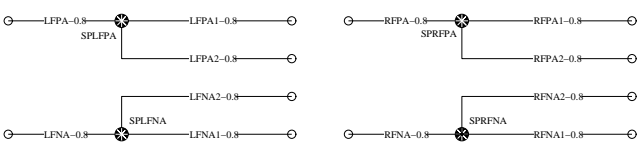
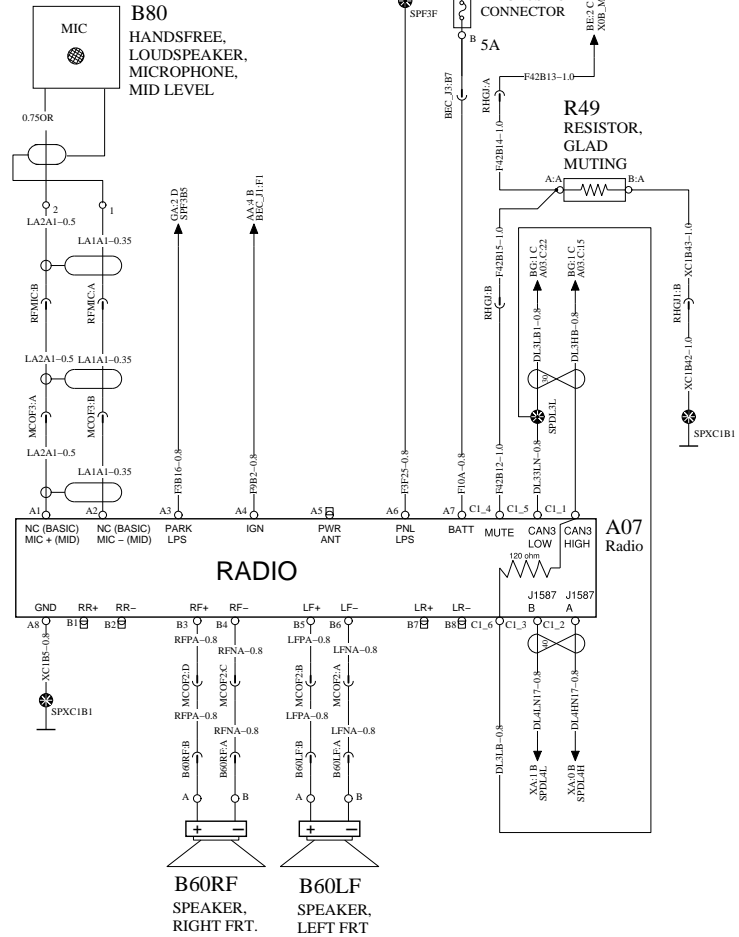
Page

73 (83)

AUDIO SYSTEM

BATT
IGN
EMS
ILLUM

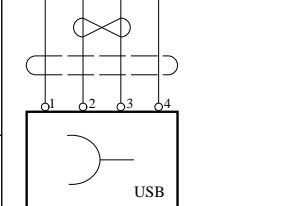
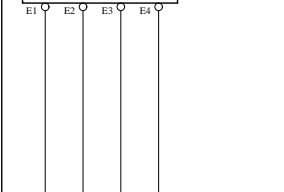
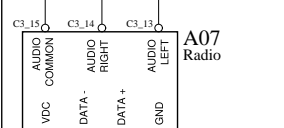
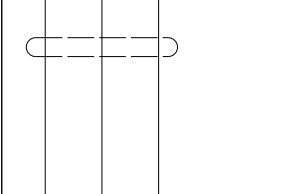
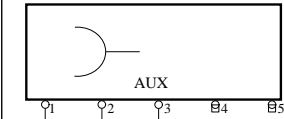
DAYCAB



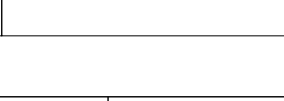
MACK TRUCK AUSTRALIA CONTENT

USB/AUX RADIO INPUT

X67
CONNECTOR,
AUX,
AUDIO



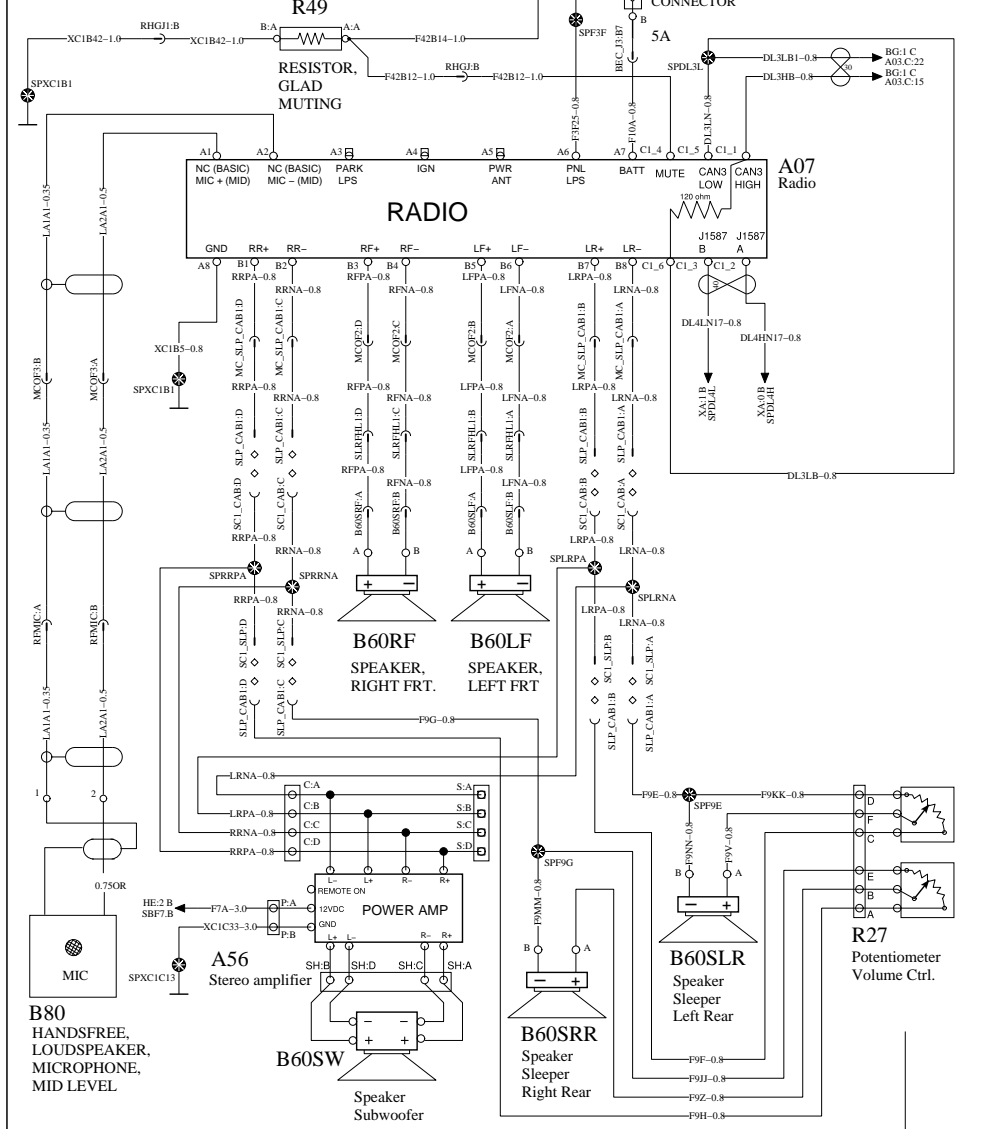
X66
CONNECTOR,
USB,
AUDIO



WIRING DIAGRAM: KA

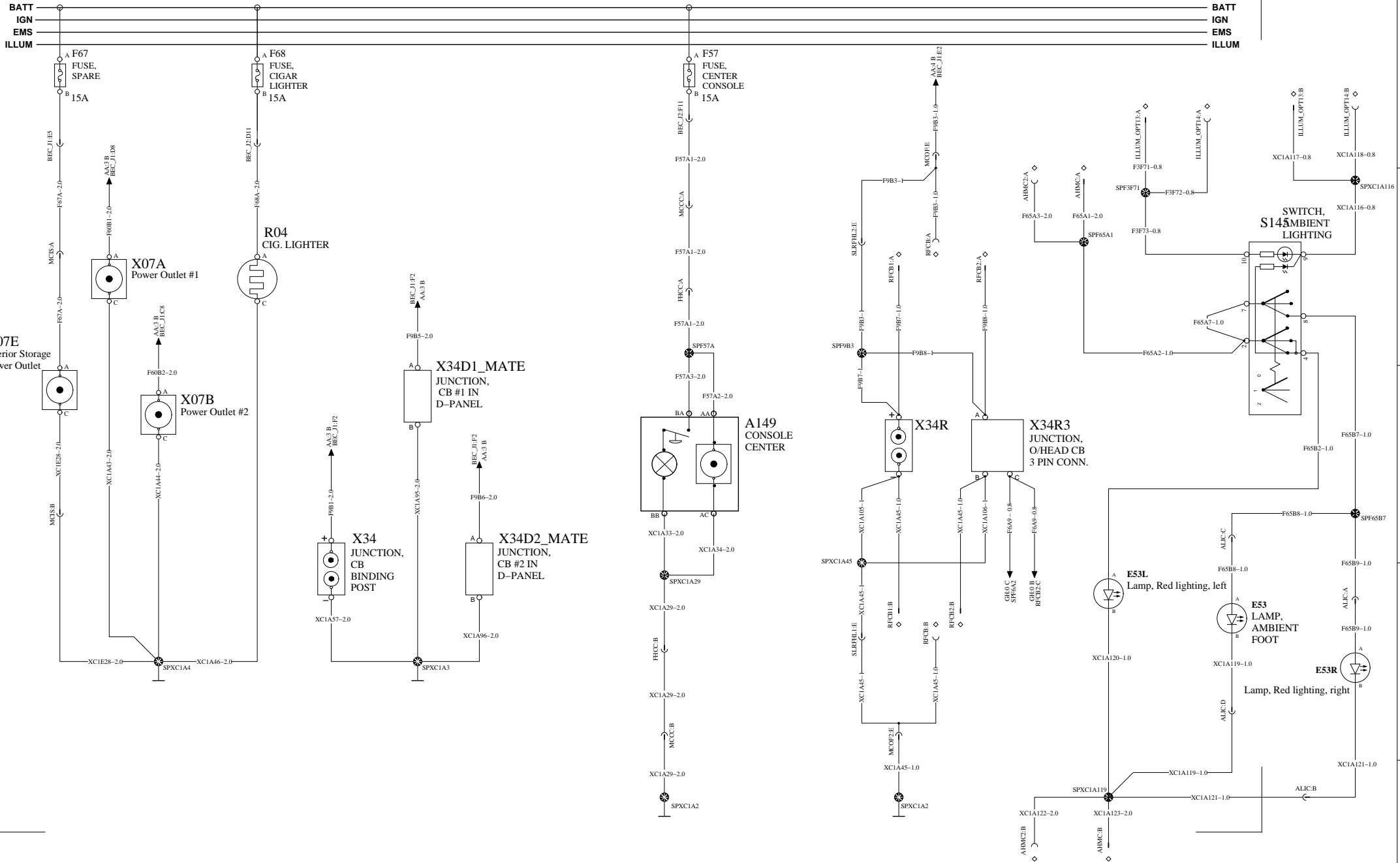
BATT
IGN
EMS
ILLUM

SLEEPER



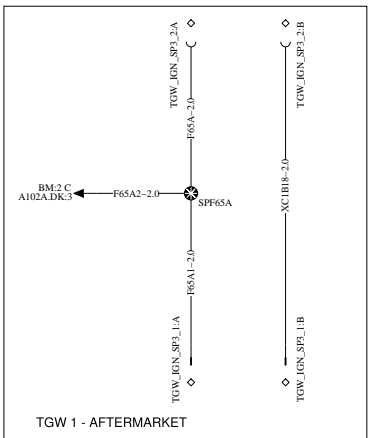
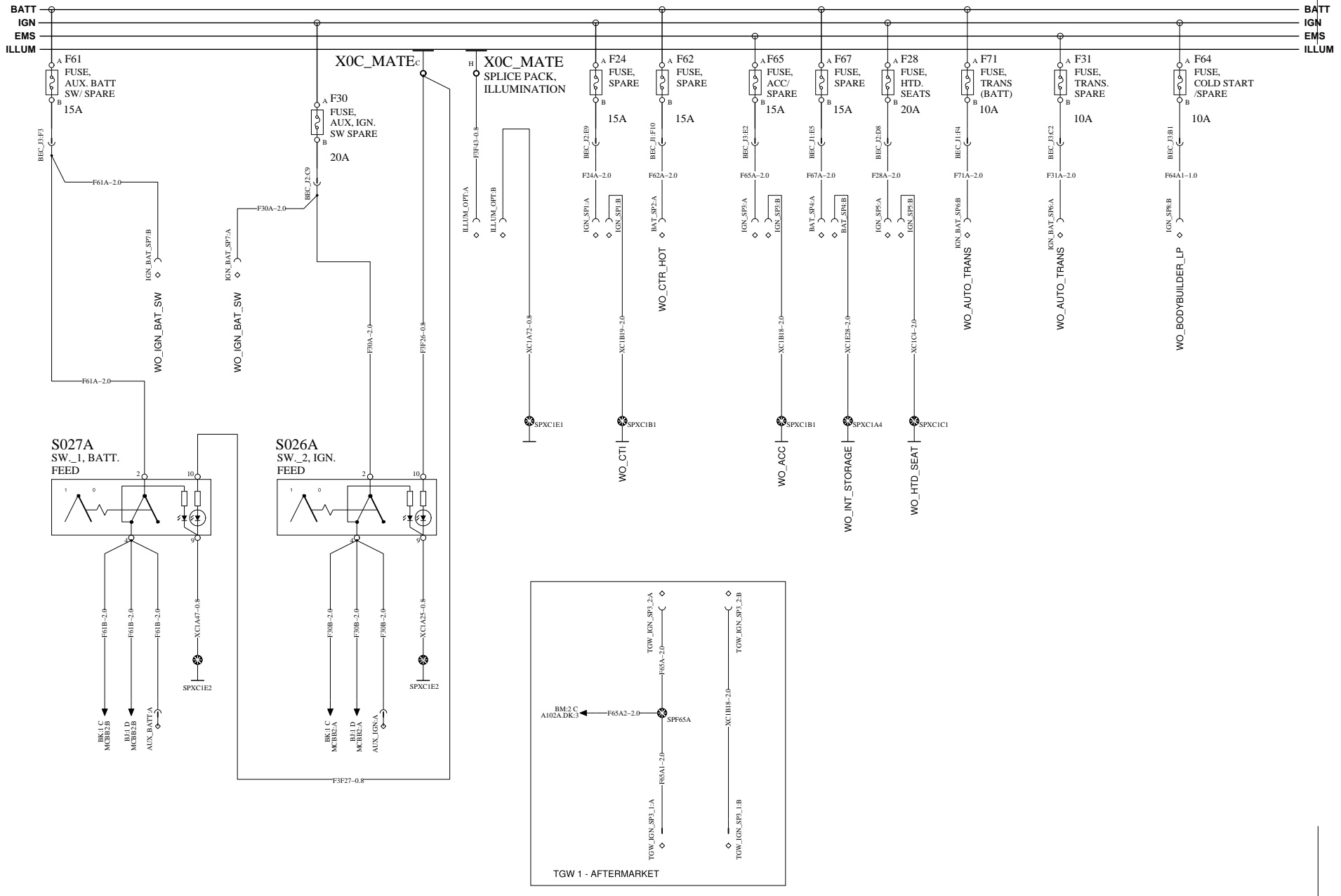
POWER OUTLET CONNECTIONS – FLOOR LIGHTING

WIRING DIAGRAM: KC



IGNITION & BATTERY SWITCHES & SPARE CONNECTORS

WIRING DIAGRAM: NA



JUNCTION POSTS

WIRING DIAGRAM: NB

BATT
IGN
EMS
ILLUM

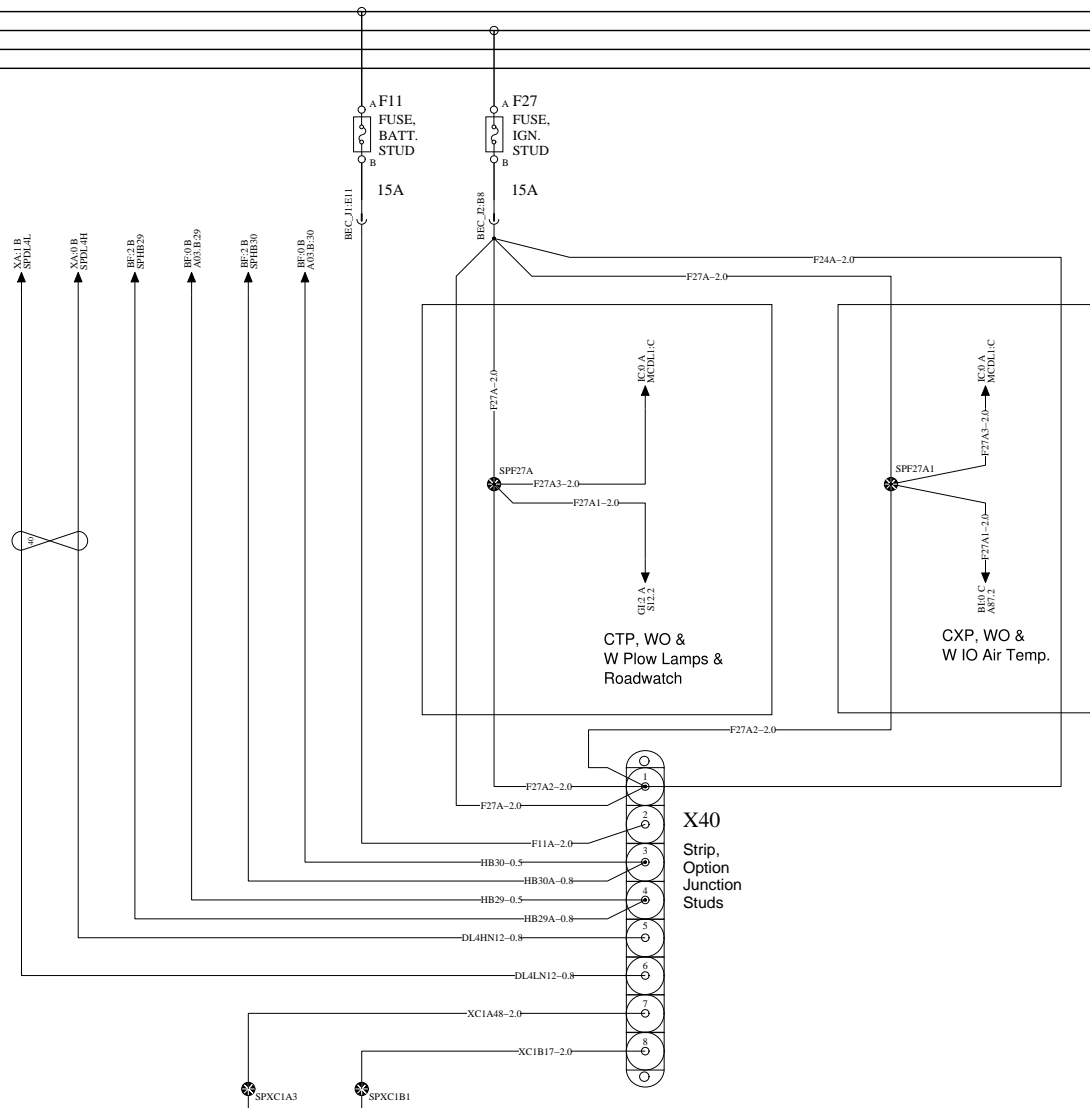
A

B

C

D

E



Group Trucks Technology

Document title
WIRING DIAGRAM - PC28 - 12V MACK - 2013BP - ENG-CU12

Document type
PRODUCT SCHEMATIC

Document No
22234428

Issue
02

Volume
01

Page
77 (83)

0

1

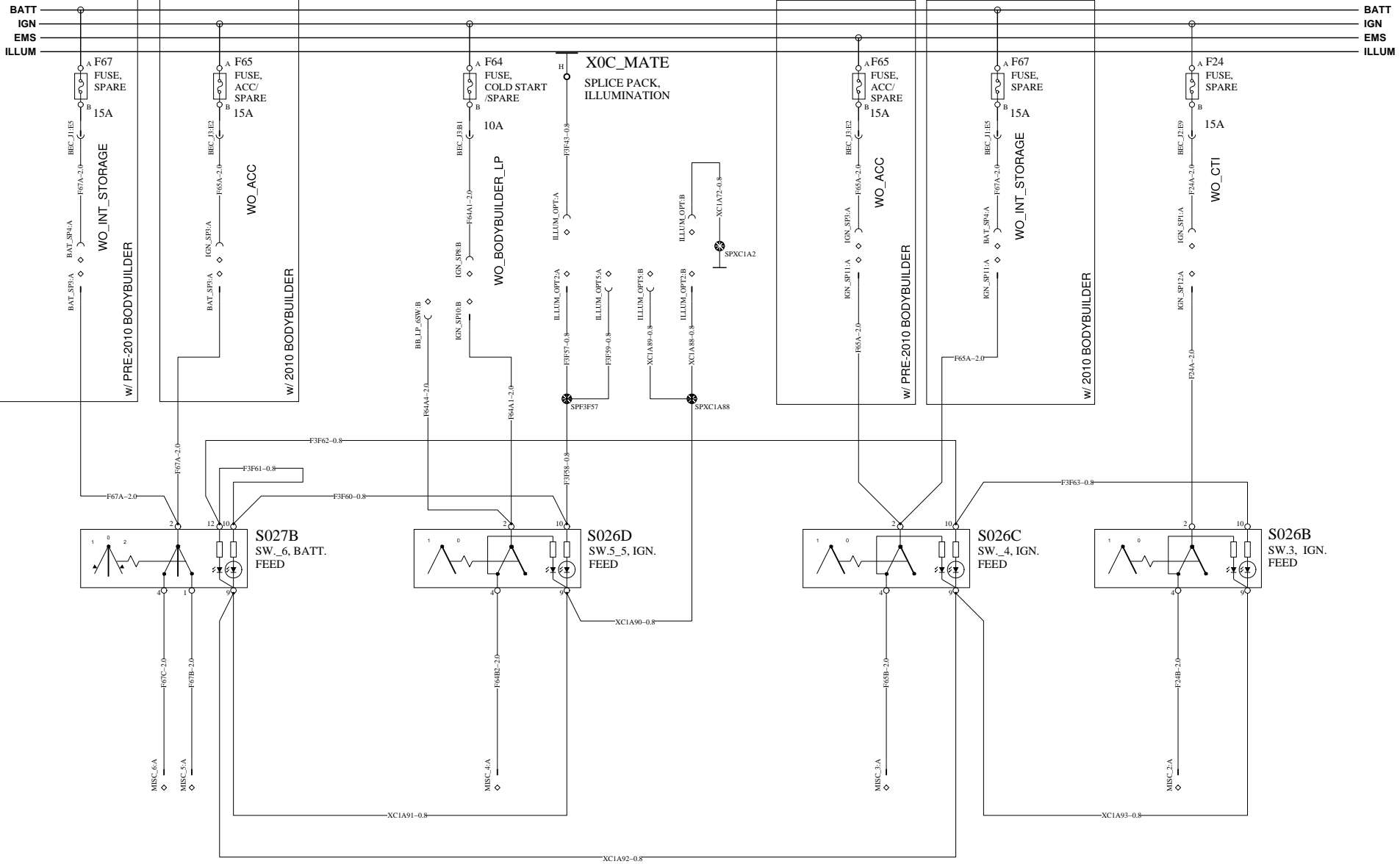
2

3

4

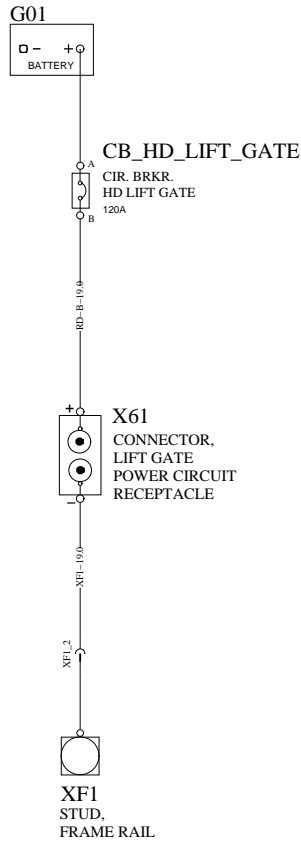
ADDITIONAL IGNITION & BATTERY SWITCHES 1/3

WIRING DIAGRAM: NC



BATT
IGN
EMS
ILLUM

BATT
IGN
EMS
ILLUM

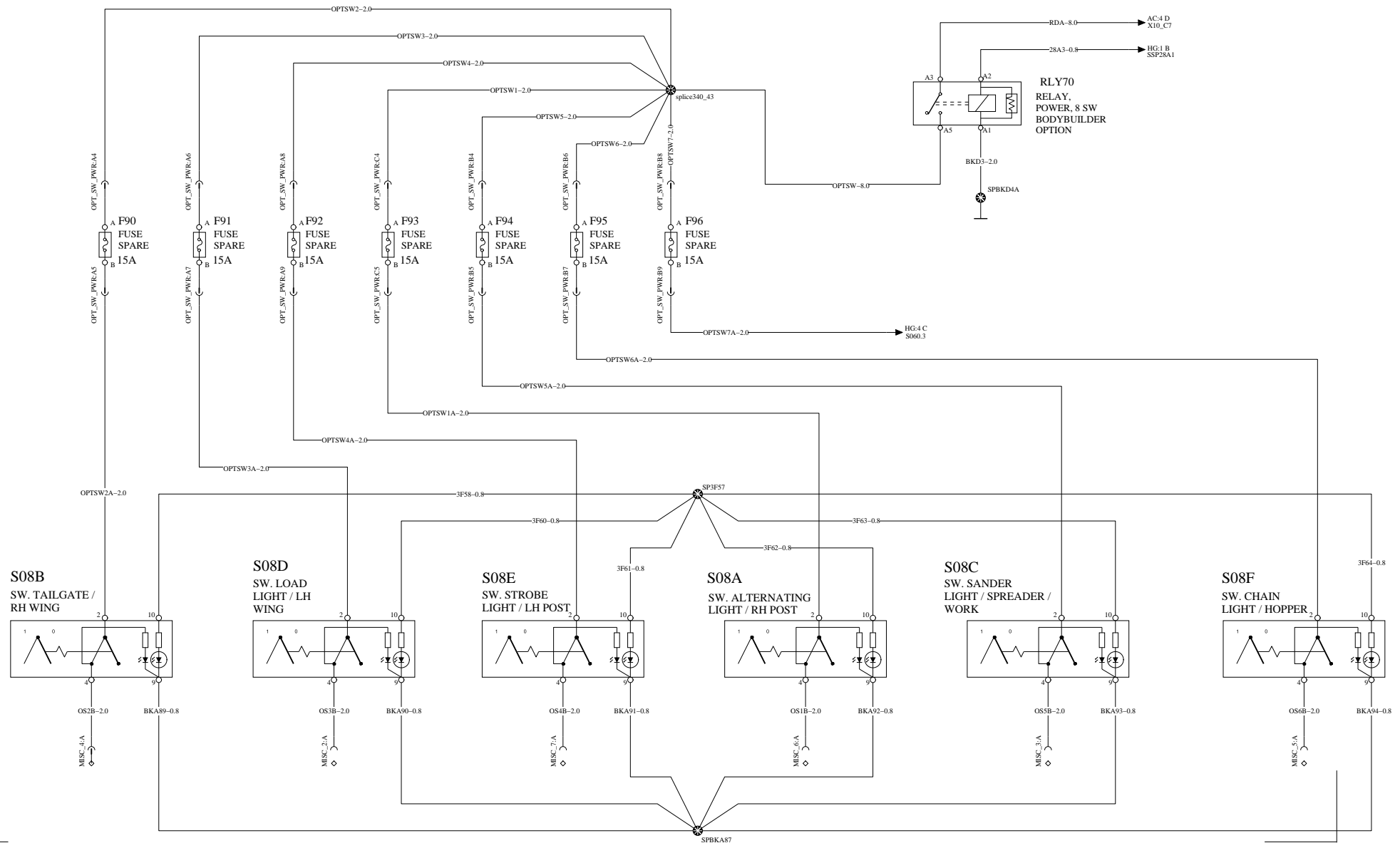


ADDITIONAL IGNITION & BATTERY SWITCHES 2/3

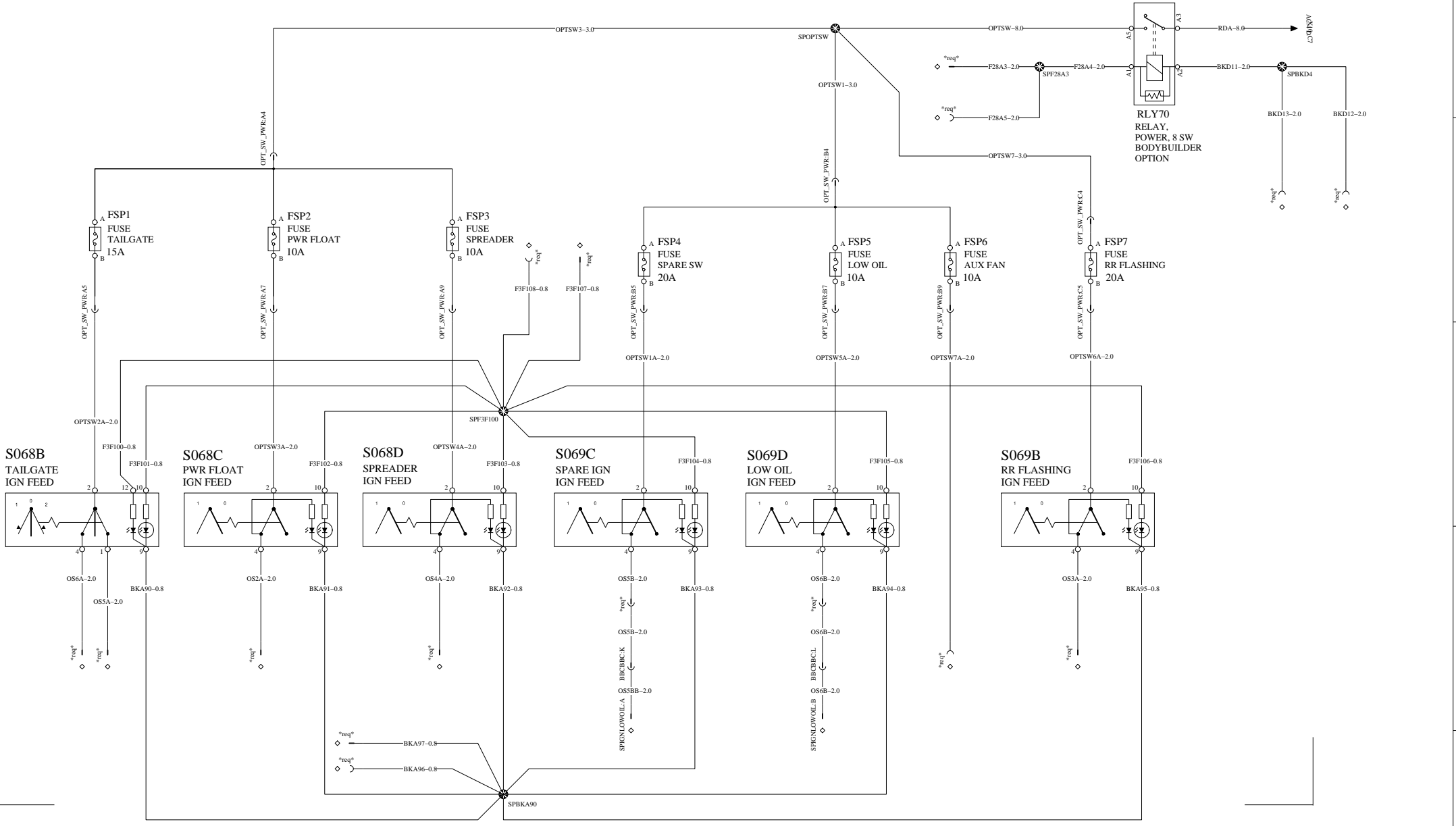
WIRING DIAGRAM: NE

BATT
IGN
EMS
ILLUM

BATT
IGN
EMS
ILLUM



BATT
IGN
EMS
ILLUM

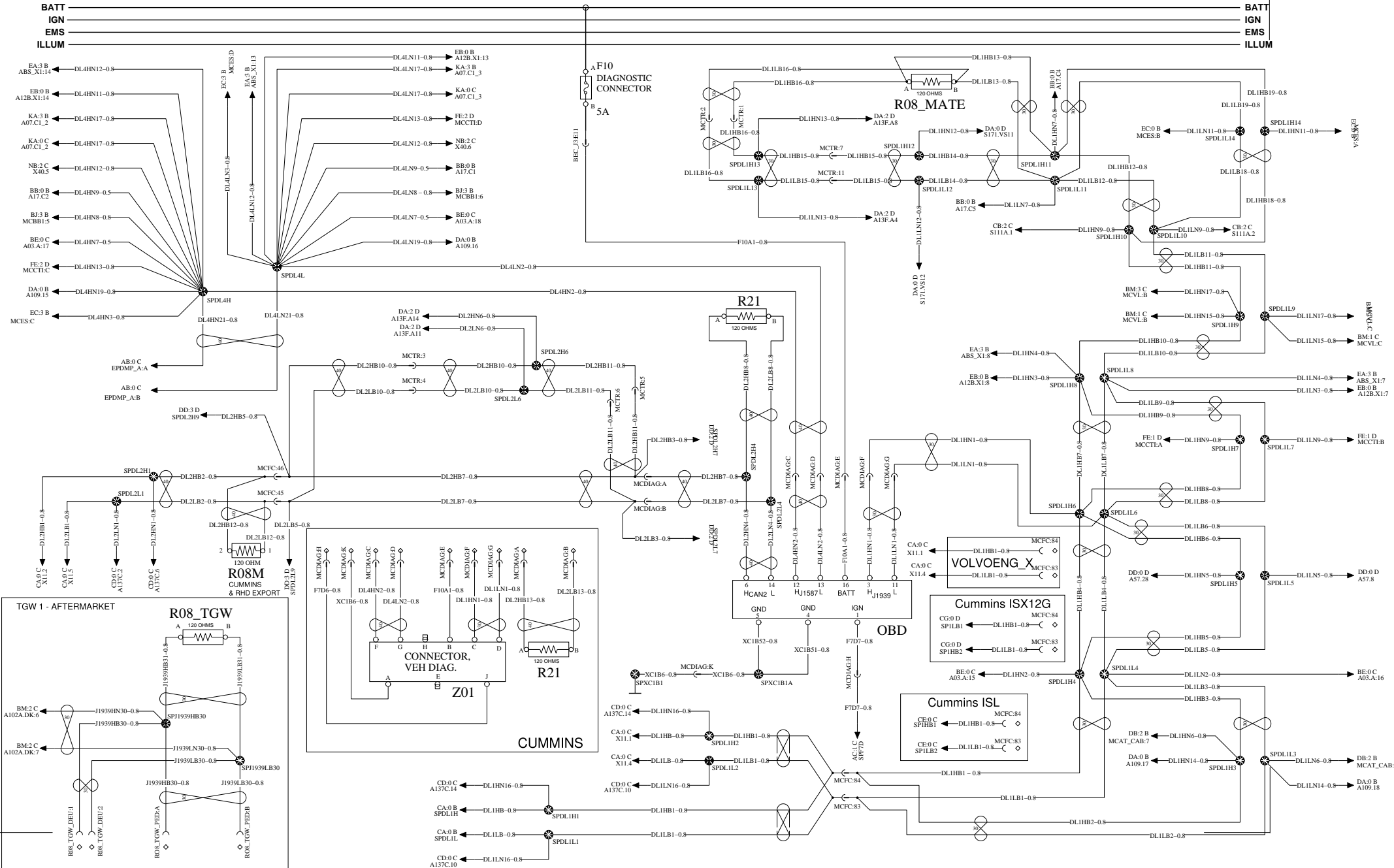


DATA LINK /DIAGNOSTICS

BATT
IGN
EMS
ILLUM

WIRING DIAGRAM: XA

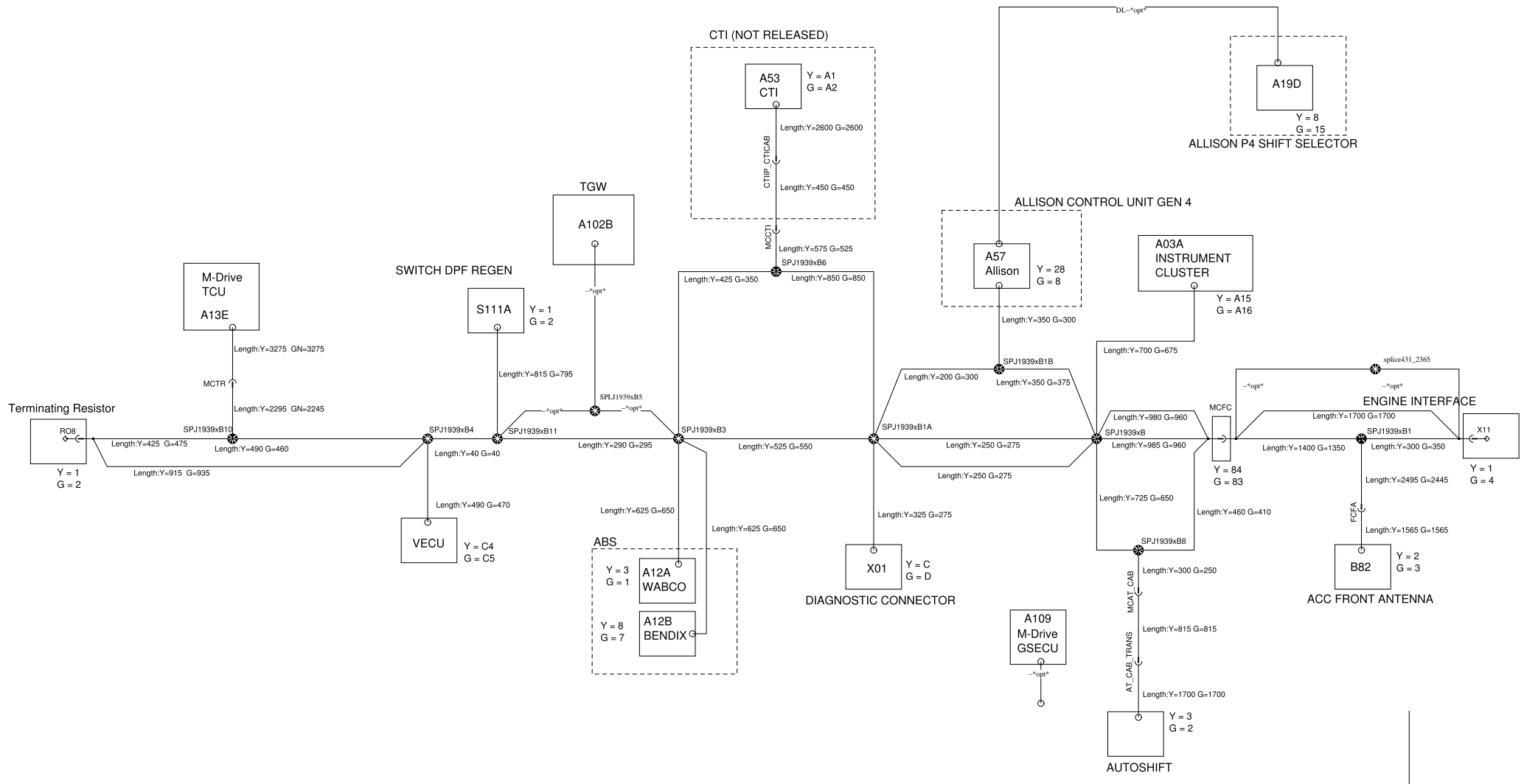
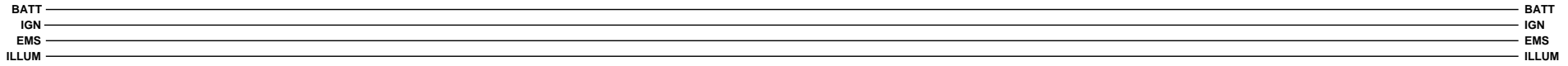
BATT
IGN
EMS
ILLUM



Group Trucks Technology

Document title	WIRING DIAGRAM - PC28 - 12V MACK - 2013BP - ENG-CU12
Document type	PRODUCT SCHEMATIC

Document No	22234428	Issue	02	Volume	01	Page	82 (83)
-------------	----------	-------	----	--------	----	------	---------



Group Trucks Technology

Document title WIRING DIAGRAM - PC28 - 12V MACK - 2013BP - ENG-CU12
Document type PRODUCT SCHEMATIC

Document No 22234428	Issue 02	Volume 01	Page 83 (83)
--------------------------------	--------------------	---------------------	------------------------