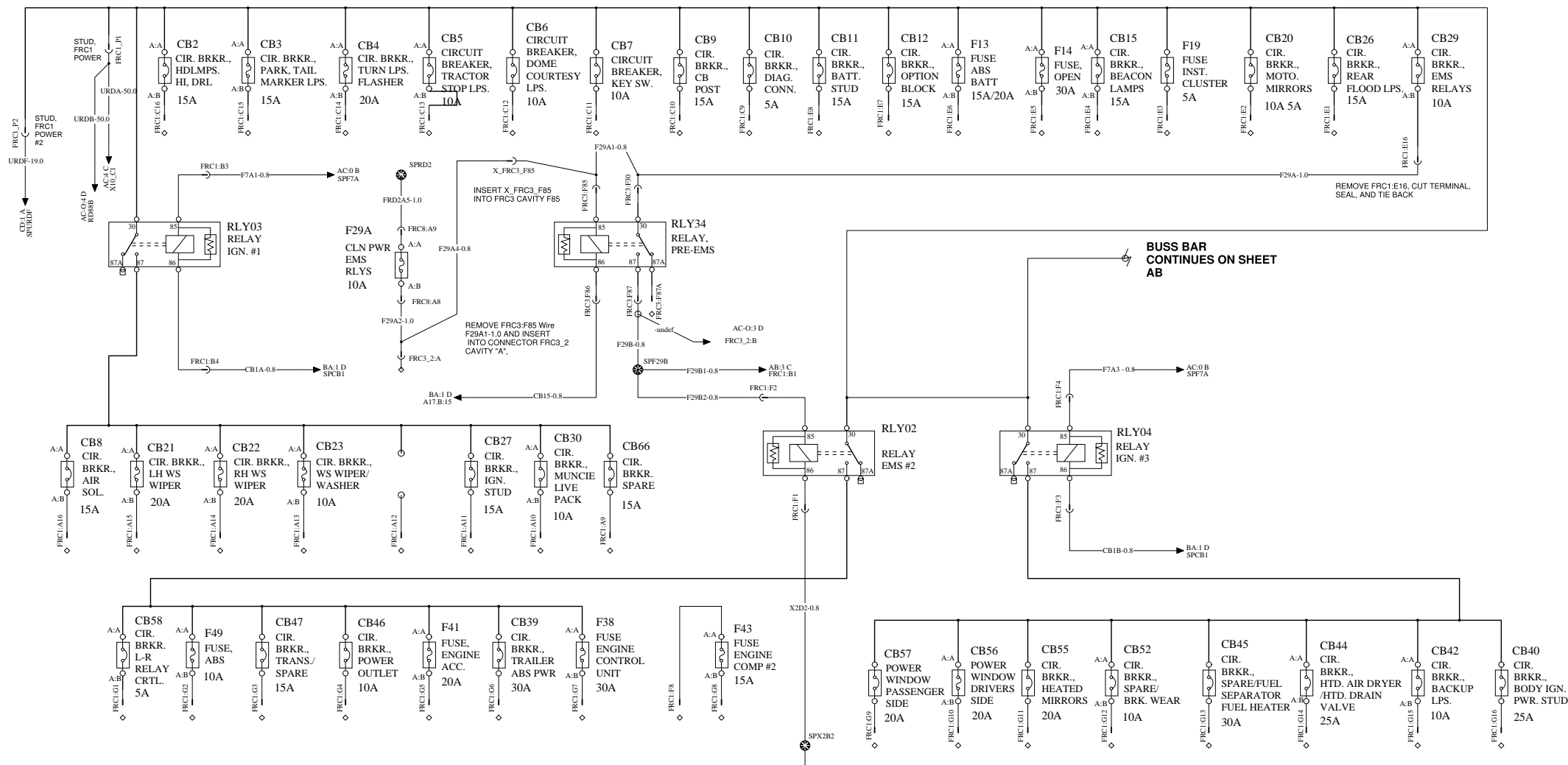
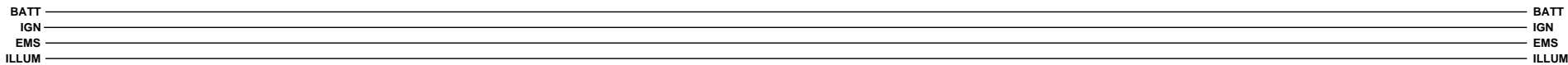


NYC_POWER_DISTRIBUTION

WIRING DIAGRAM: AA-O



BUSS BAR CONTINUES ON SHEET AB

REMOVE FRC1-E16, CUT TERMINAL, SEAL, AND TIE BACK

REMOVE FRC3-F85 Wire F29A1-1.0 AND INSERT INTO CONNECTOR FRC3_2 CAVITY "A".

MACK

Mack Trucks Inc.

Document title
WIRING DIAGRAM - TYPE OL L1EH1 - NYC DOS
 Document type
PRODUCT SCHEMATIC

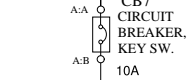
Drawing No.
22617224

Revision
04

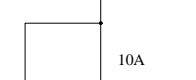
Page
2 (22)

NYC_IGN_DISCONNECT

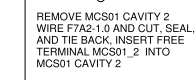
BATT
IGN
EMS
ILLUM



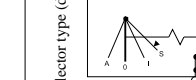
K001 - Ignition Switch Power



K001 - Ignition Switch Power



REMOVE MCS01 CAVITY 2 WIRE F7A2-1.0 AND CUT, SEAL, AND TIE BACK, INSERT FREE TERMINAL MCS01_2 INTO MCS01 CAVITY 2



Switch, ignition, selector type (dashboard)



Plug, Engine starting



RELAY START CNTL. 1



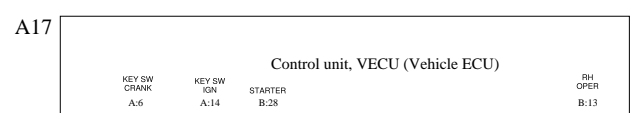
STARTER LOCK OUT



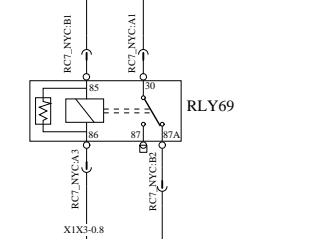
STARTER LOCK OUT

WIRING DIAGRAM: AC-O

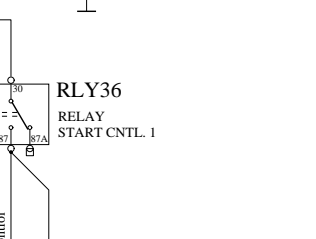
BATT
IGN
EMS
ILLUM



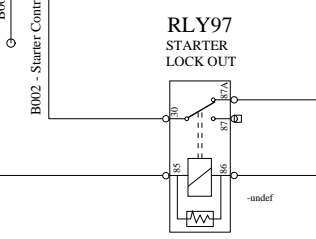
REMOVE WIRE FROM A:6, SEAL AND TIE BACK, INSERT FREE TERMINAL INTO A:6



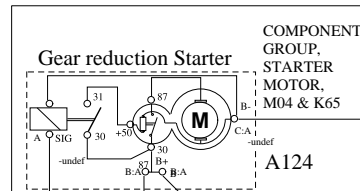
RELAY START CNTL. 1



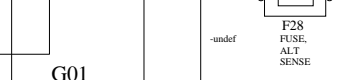
RELAY START CNTL. 1



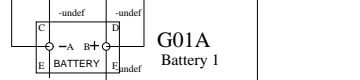
STARTER LOCK OUT



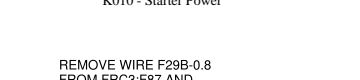
COMPONENT GROUP, STARTER MOTOR, M04 & K65



Battery 1



Battery 2



Starter Power



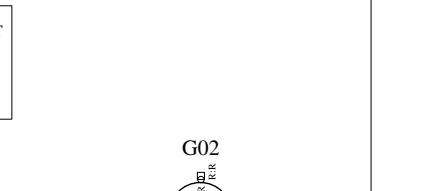
Battery 1



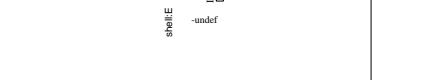
Battery 2



Starter Power



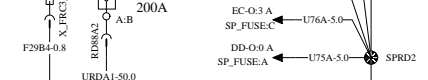
Alternator



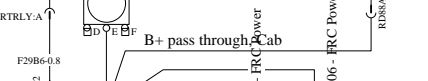
FUSE, ALT SENSE



MAIN CIRCUIT BREAKER



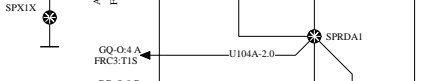
MAIN CAB CIRCUIT BREAKER 200A



FRC Power



FRC Power



FRC Power

MACK

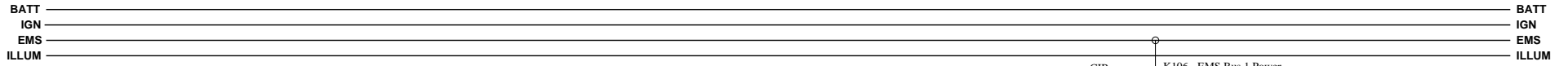
Mack Trucks Inc.

Document title
WIRING DIAGRAM - TYPE OL L1EH1 - NYC DOS
Document type
PRODUCT SCHEMATIC

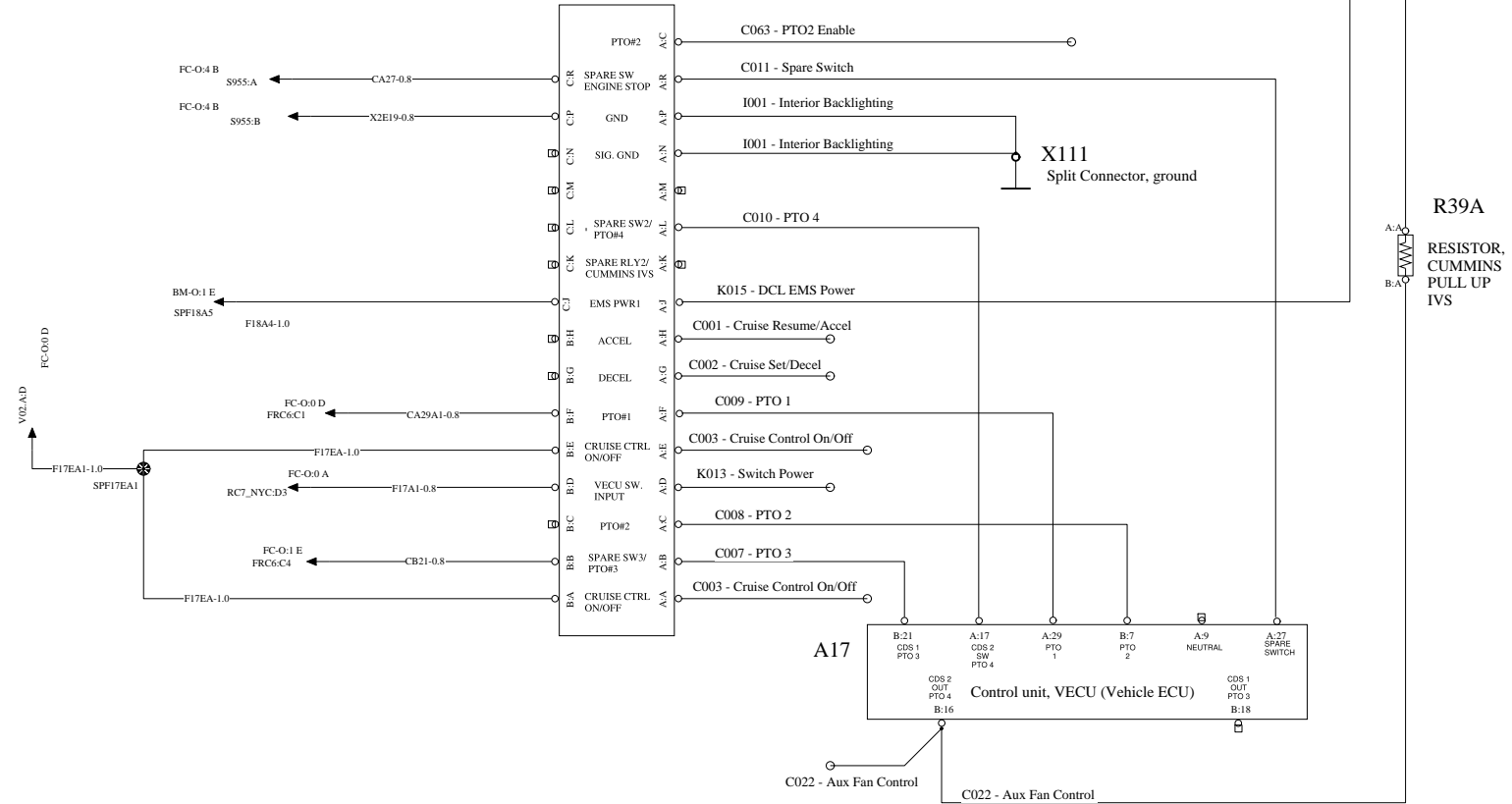
Drawing No.
22617224

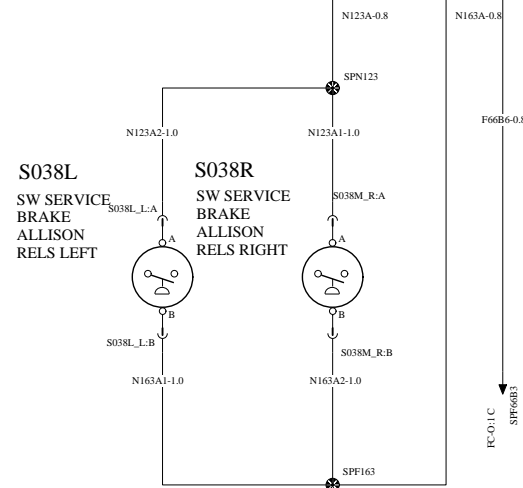
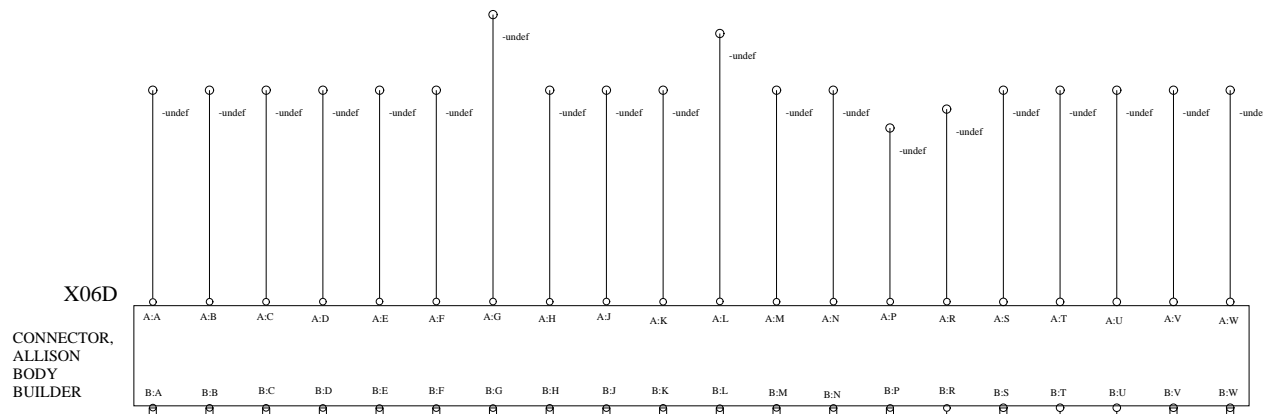
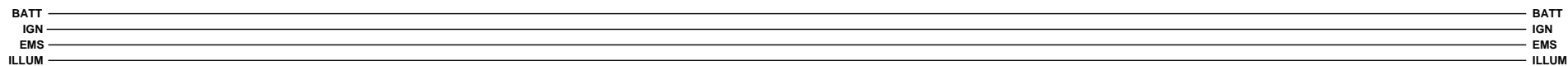
Revision
04

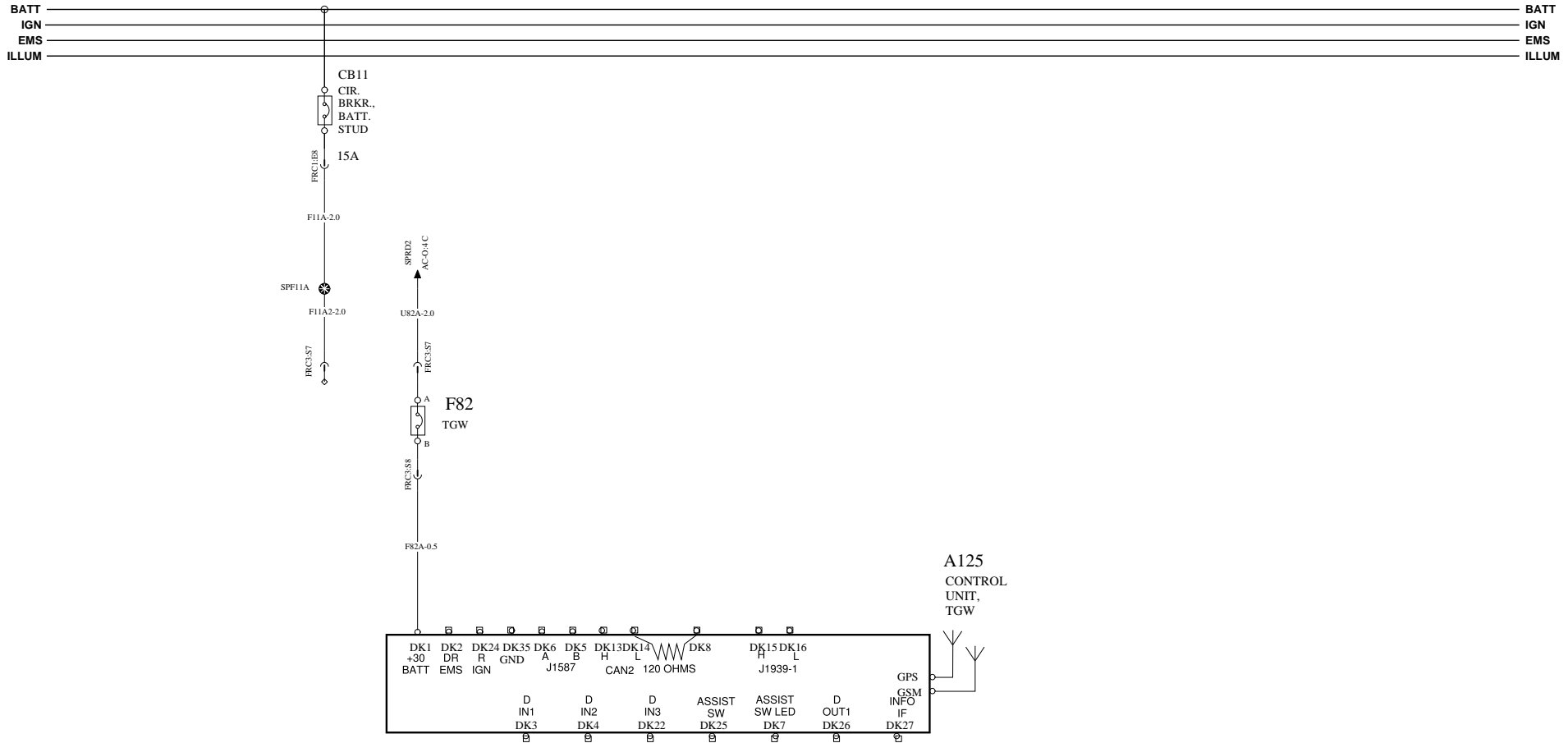
Page
3 (22)



X21A
Socket, Body builder connector





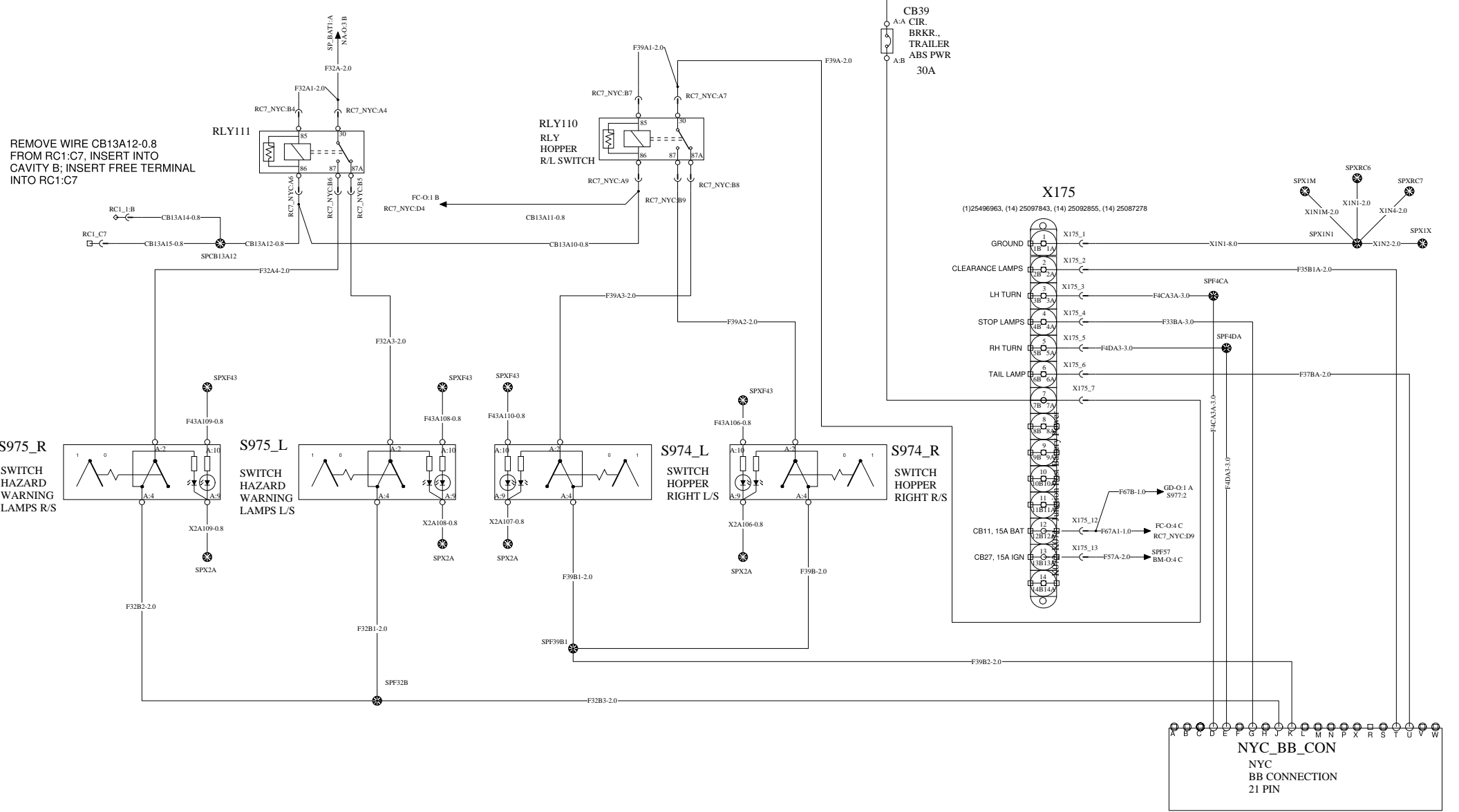


WIRING DIAGRAM: BN-O

NYC_SINGLE_DUAL_BIN_BB

BATT
IGN
EMS
ILLUM

BATT
IGN
EMS
ILLUM



MACK

Mack Trucks Inc.

Document title
WIRING DIAGRAM - TYPE OL L1EH1 - NYC DOS

Document type
PRODUCT SCHEMATIC

Drawing No.
22617224

Revision
04

Page
8 (22)

NYC_DPF_ALERT

WIRING DIAGRAM: CK-O

BATT
IGN
EMS
ILLUM

F64
FUSE,
DPF,
IGN
10A 15A 5A

FRC1:A3
INSERT FREE TERMINAL INTO LOCATION

F64A9-0.8

H06
BUZZER
CAB
DPF

X2E7-0.8

SPXE6

V05
Diode

V04
Diode

DPF_IND
CONTROL
UNIT
DPF ALERT
CAN I/O
INTERFACE

S111
DPF
REGEN
SWITCH

R08.A1
NYC
TERMINATING
RESISTOR

X_PRC1:A3

F64A10-0.8

SPW6

X2E7-0.8

X2E6-0.8

A

B

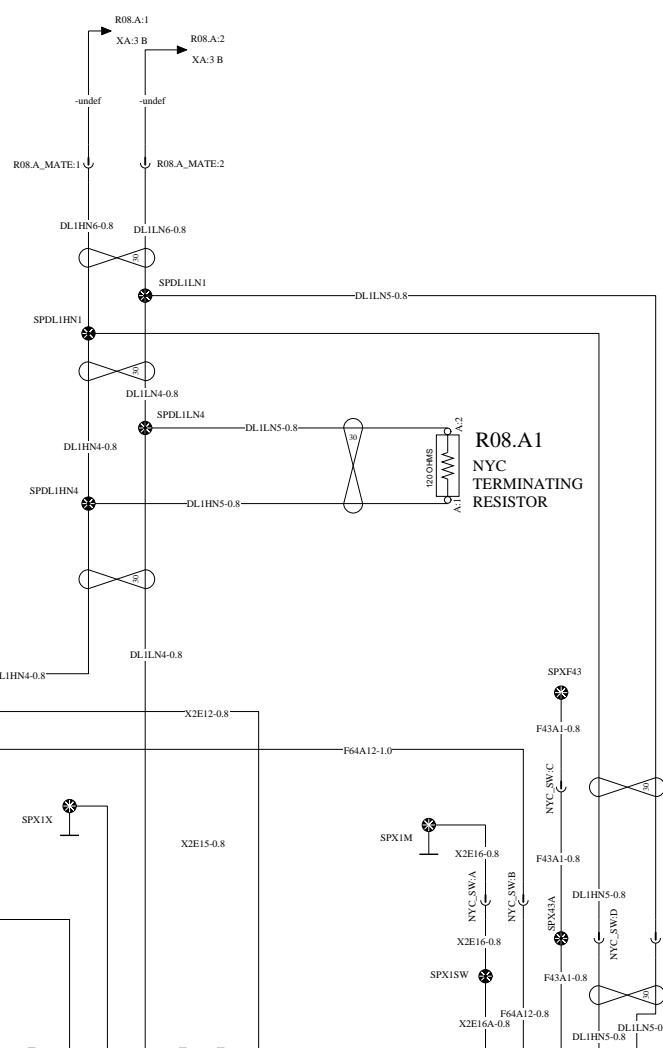
X2E10-0.8

A

B

1 2 3 4 5 6 7 8 9 10
IGN PWR HI CAN SHD OUT OUT GND CAN LOW OPEN OPEN OUT
ALL OUTPUTS ARE 1AMP

A.4 A.5 A.3 A.1 A.2
GND PWR ILLUM. J1939 H J1939 L



MACK

Mack Trucks Inc.

Document title
WIRING DIAGRAM - TYPE OL L1EH1 - NYC DOS
Document type
PRODUCT SCHEMATIC

Drawing No.
22617224

Revision
04

Page
9 (22)

0

1

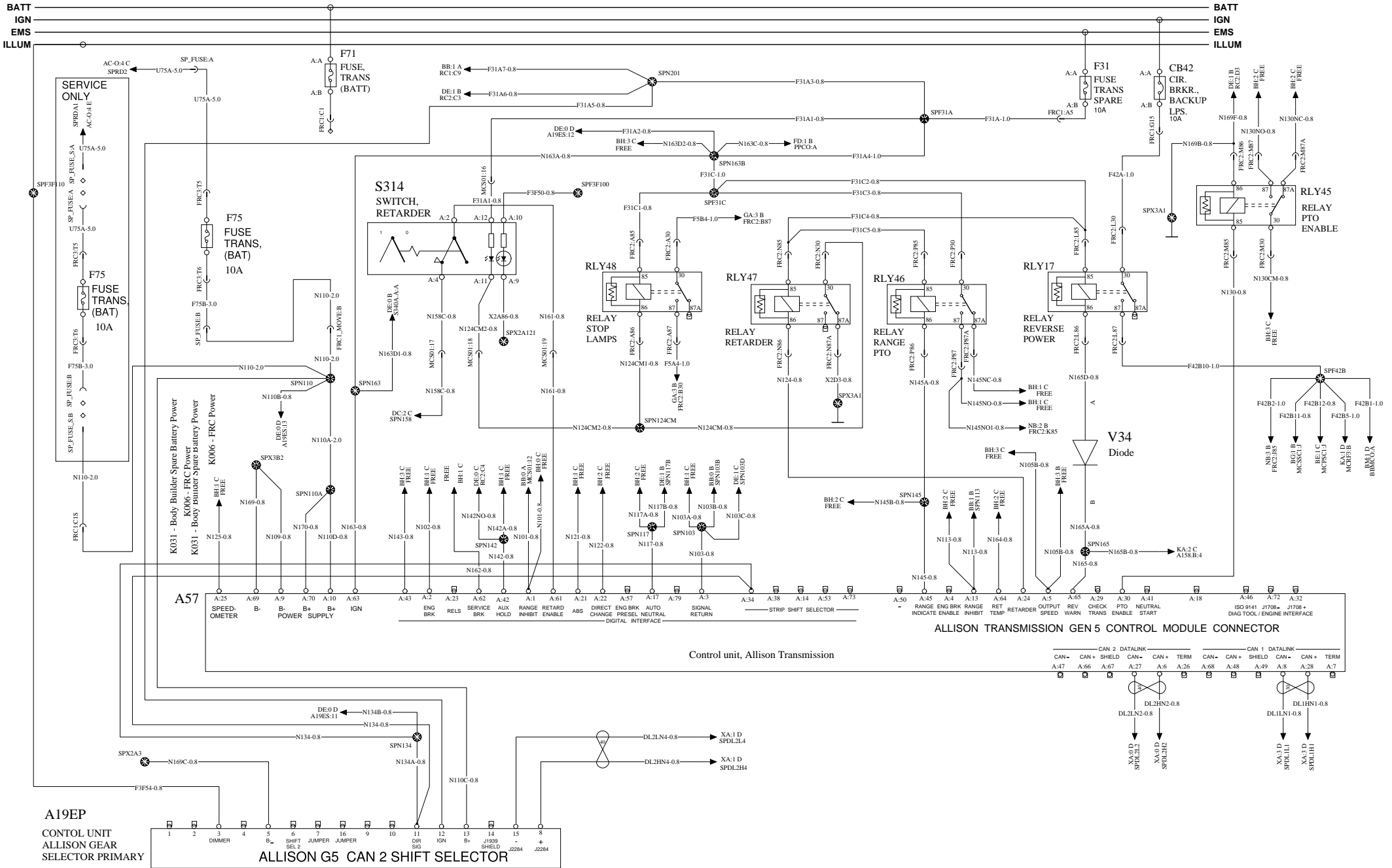
2

3

4

TRANSMISSION CONTROL 5th GENERATION

WIRING DIAGRAM:DD-O



MACK

Mack Trucks Inc.

Document title
WIRING DIAGRAM

Document type
PRODUCT SCHEMATIC

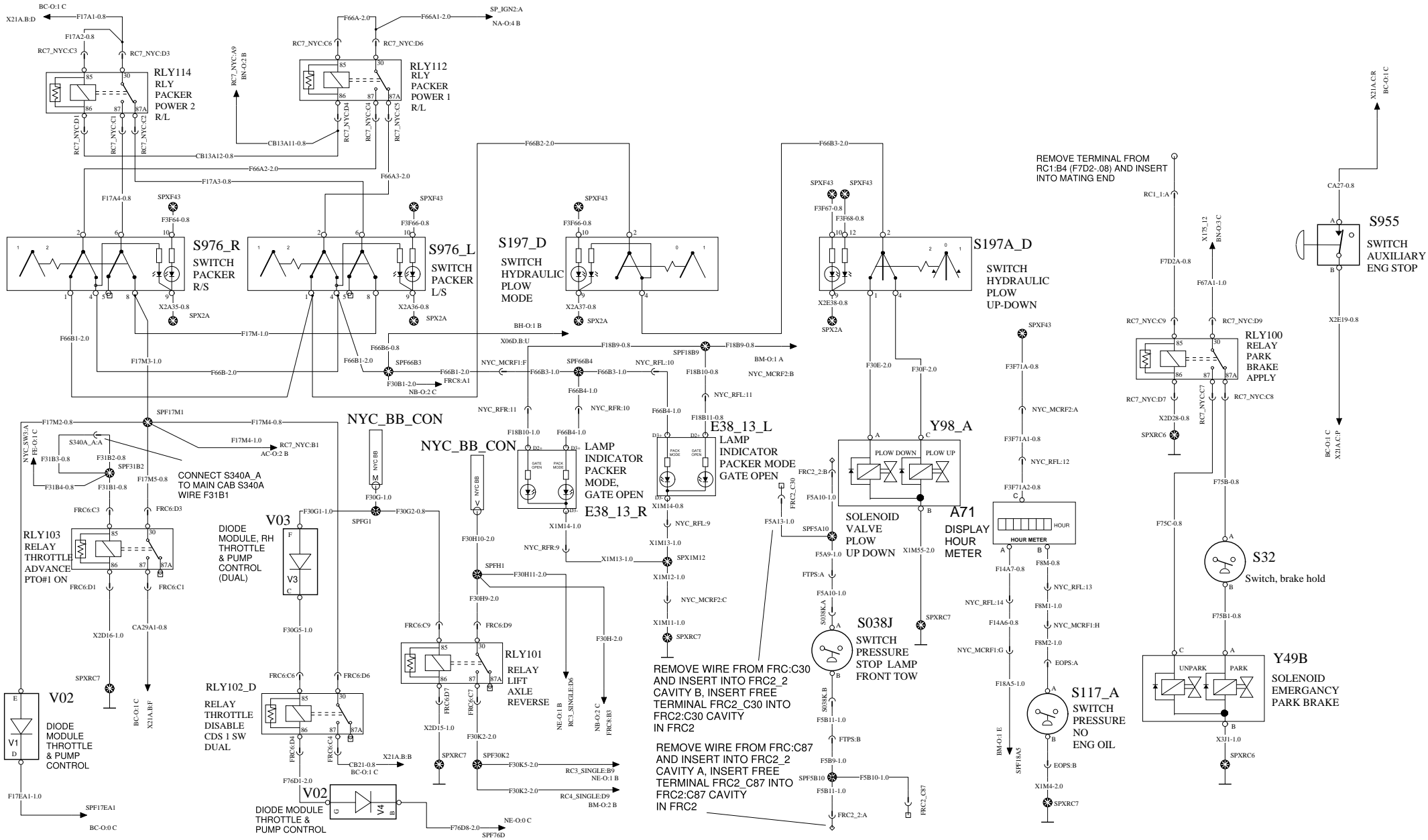
Drawing No.
22617224

Revision
04

Page
10 (22)

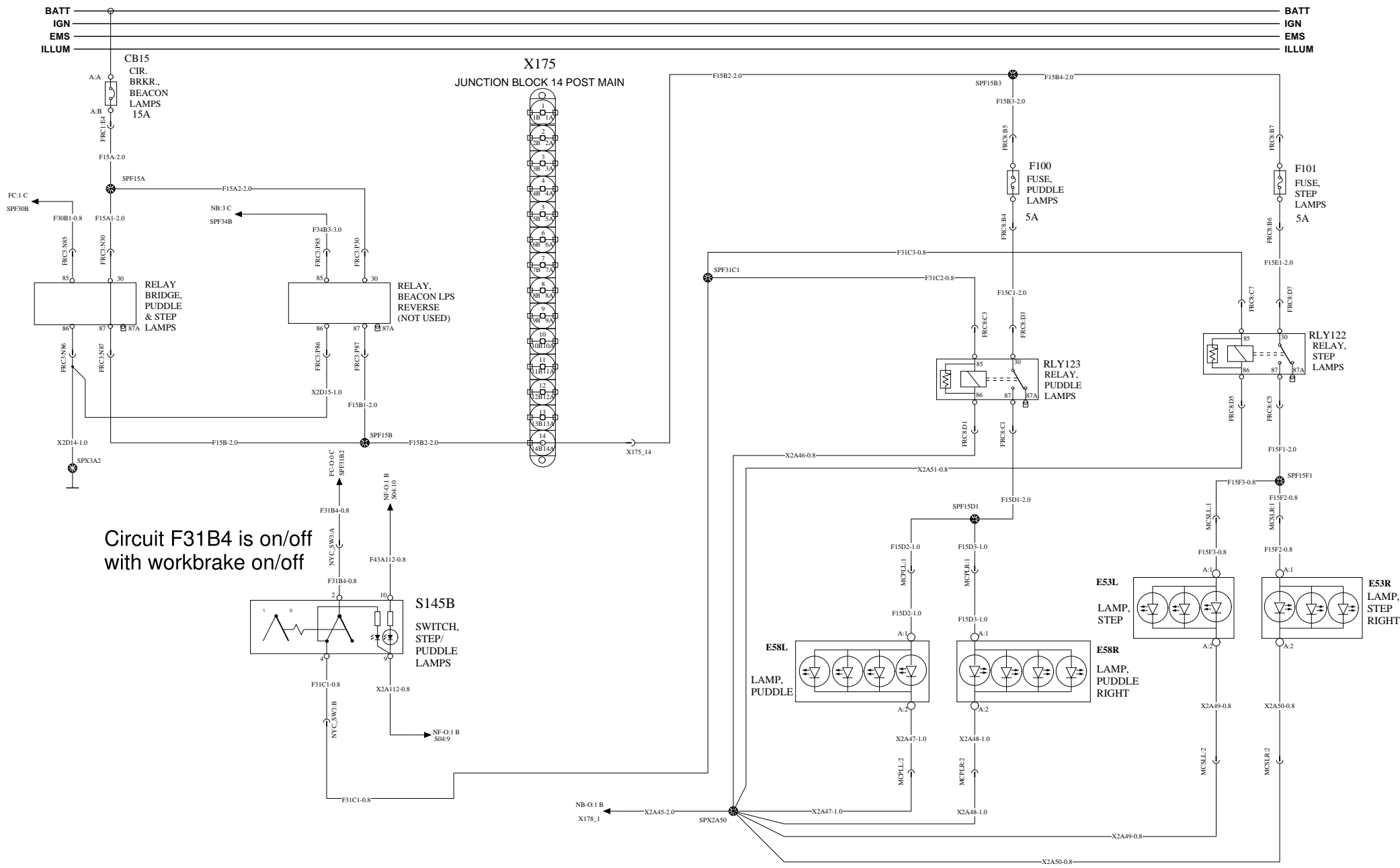
BATT
IGN
EMS
ILLUM

BATT
IGN
EMS
ILLUM

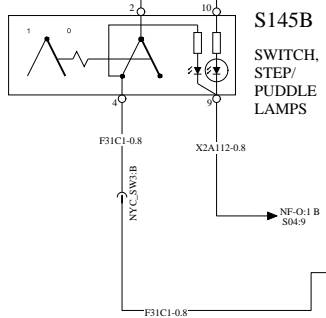


NYC SINGLE BIN STEP & PUDDLE WORKING LAMPS

WIRING DIAGRAM: FE-O



Circuit F31B4 is on/off with workbrake on/off



MACK

Mack Trucks Inc.

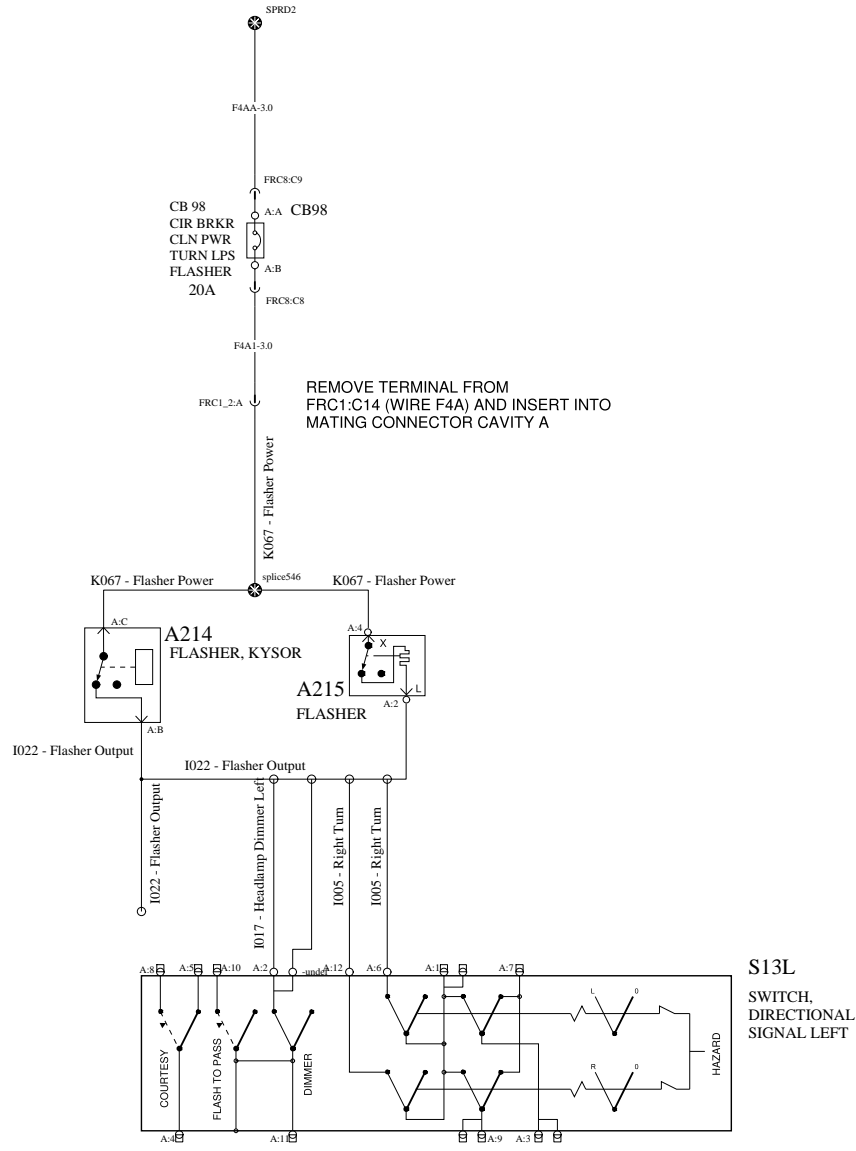
Document title
 WIRING DIAGRAM - TYPE OL L1EH1 - NYC DOS
 Document type
 PRODUCT SCHEMATIC

Drawing No.
 22617224

Revision
 04

Page
 13 (22)

BATT _____ BATT
 IGN _____ IGN
 EMS _____ EMS
 ILLUM _____ ILLUM



Mack Trucks Inc.

Document title
 WIRING DIAGRAM - TYPE OL L1EH1 - NYC DOS

Document type
 PRODUCT SCHEMATIC

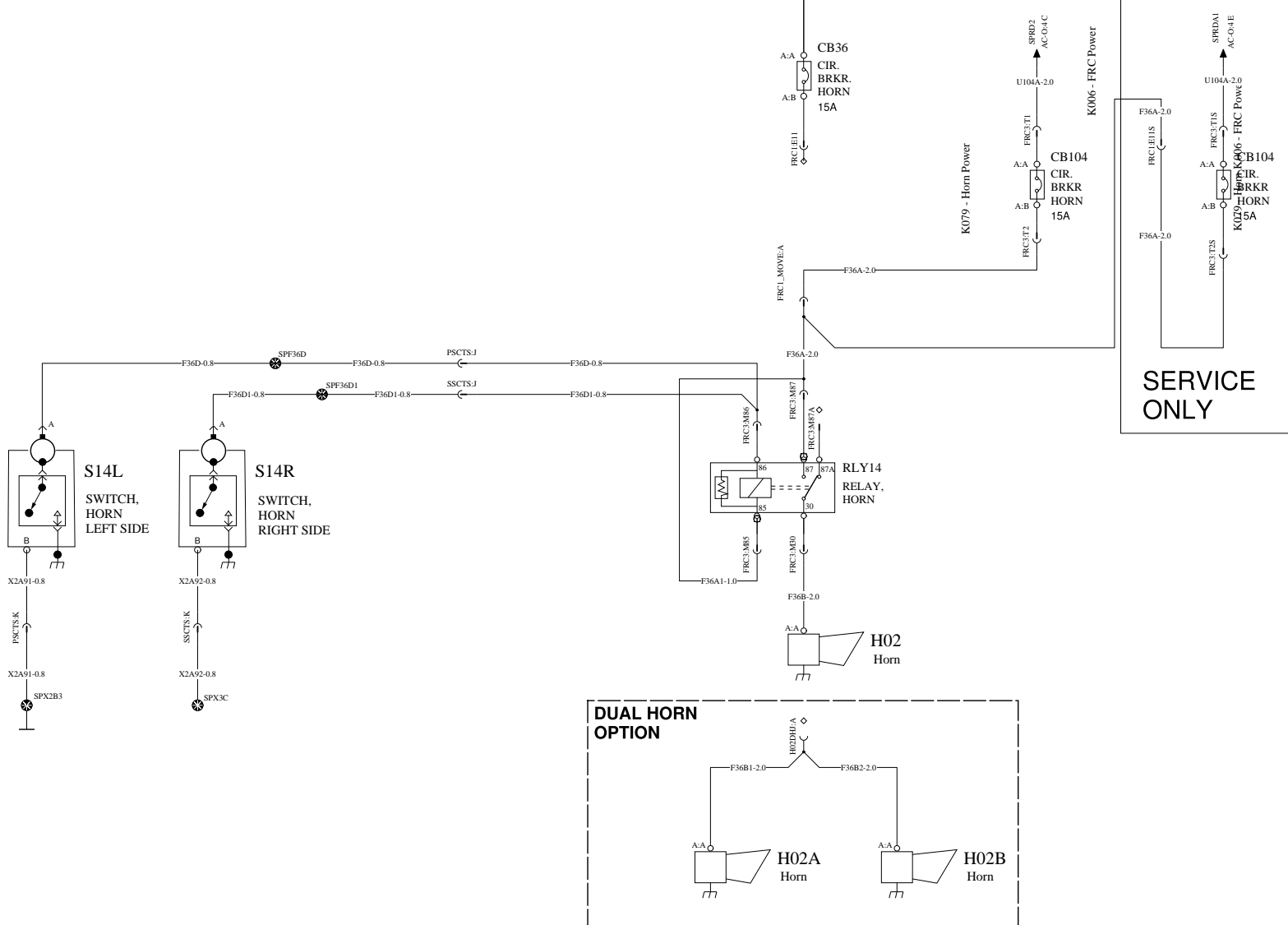
| | | |
|-------------------------|----------------|-----------------|
| Drawing No. 22617224 | Revision 04 | Page 14 (22) |
|-------------------------|----------------|-----------------|

HORN WIRING

WIRING DIAGRAM:GQ-O

BATT
IGN
EMS
ILLUM

BATT
IGN
EMS
ILLUM



MACK

Mack Trucks Inc.

Document title
WIRING DIAGRAM

Document type
PRODUCT SCHEMATIC

Drawing No.

22617224

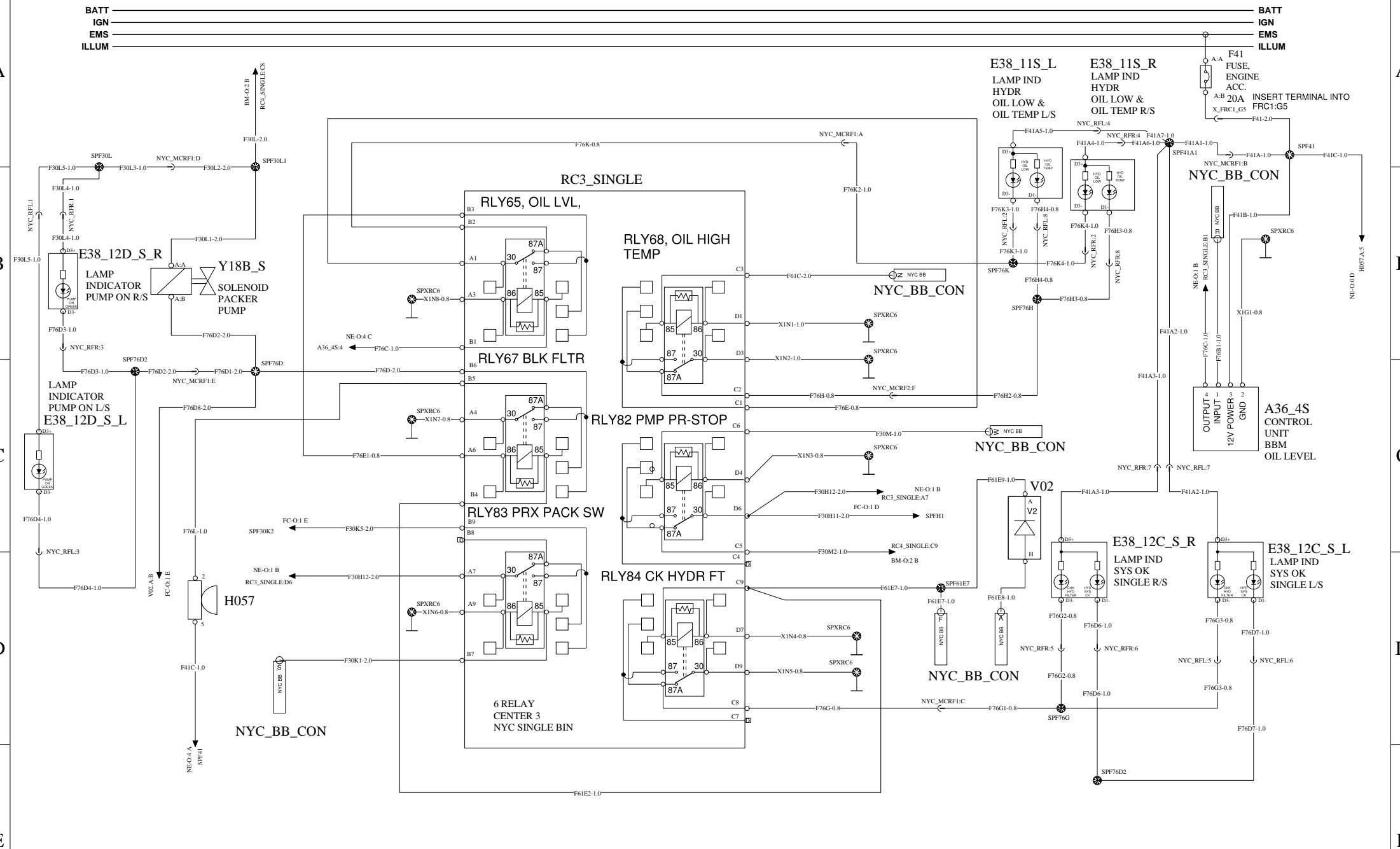
Revision

04

Page

16 (22)

WIRING DIAGRAM: NE-O

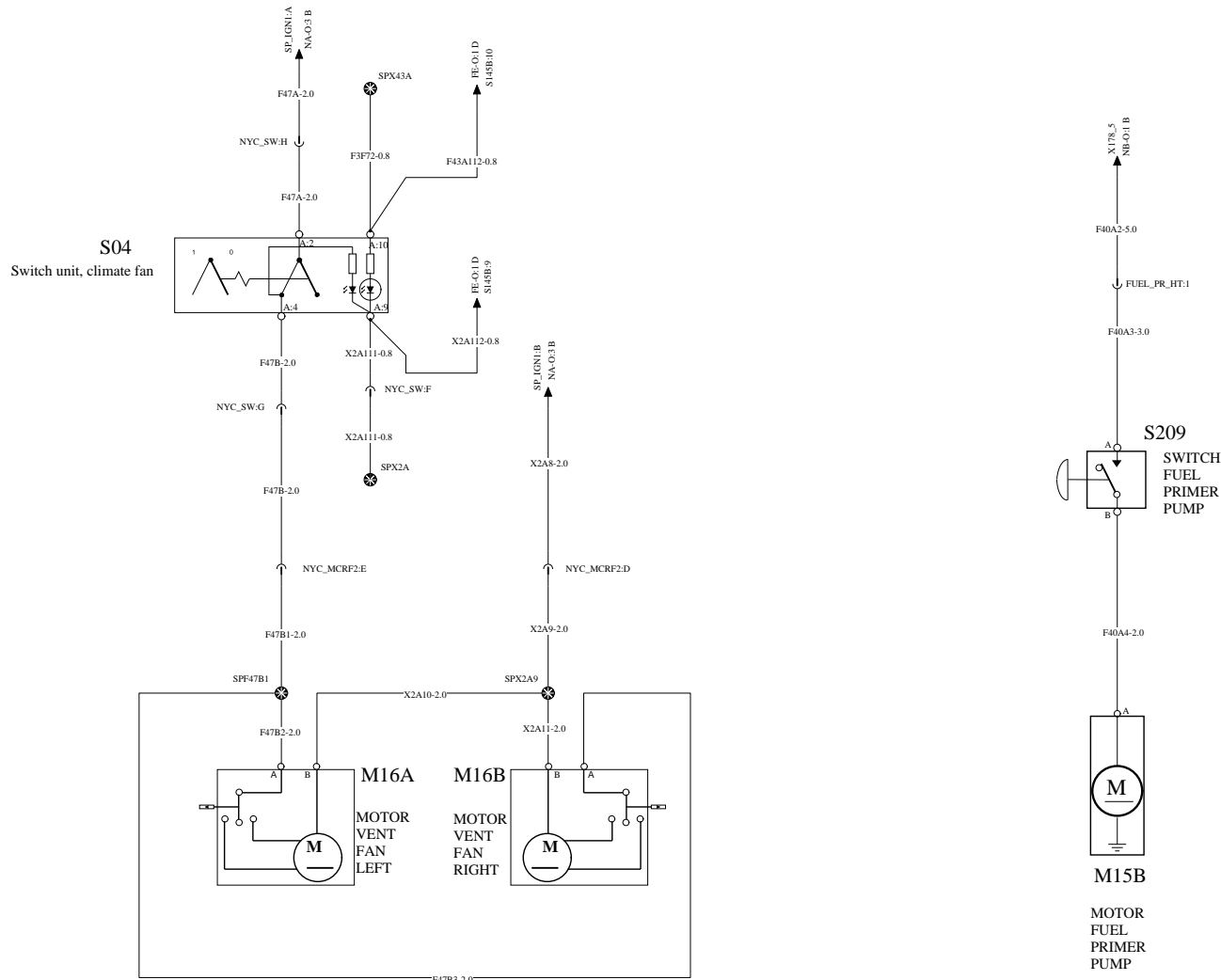


Mack Trucks Inc.

| |
|--|
| Document title WIRING DIAGRAM - TYPE OL L1EH1 - NYC DOS |
| Document type PRODUCT SCHEMATIC |

| | | |
|--------------------------------|-----------------------|------------------------|
| Drawing No. 22617224 | Revision 04 | Page 20 (22) |
|--------------------------------|-----------------------|------------------------|

BATT _____ BATT
 IGN _____ IGN
 EMS _____ EMS
 ILLUM _____ ILLUM



BATT
IGN
EMS
ILLUM

