

D-18014-91

See DCN

RELEASED

Date | Modification Count

WIRING DIAGRAM INDEX

NAME	DESCRIPTION	PAGE
AA	POWER DISTRIBUTION 1/2	3
AB	POWER DISTRIBUTION 2/2	4
AC	KEY SW, START & CHARGING	5
AD	GROUNDING	6
BA	VEHICLE ECU 1/5	7
BB	VEHICLE ECU STWPOS-D 2/5	8
BC	VEHICLE ECU 4/5 - DCL CONNECTOR	9
BD	VEHICLE ECU 5/5	10
BE	INSTRUMENT CLUSTER 1/3	11
BF	INSTRUMENT CLUSTER 2/3	12
BG	INSTRUMENT CLUSTER (SECONDARY CLUSTER) 3	13
BH	ALLISON BODYBUILDER INTERFACE	14
BI	TGW2	15
BN	REFUSE (RP-170)	16
BP	BODYLINK	17
BQ	VEHICLE ECU STWPOS-R 5/5	18
BY	TMC RPC1226 DRIVECAM PREP KIT	19
CA	ENGINE INTERFACE MACK	20
CC	ENGINE HEATER	21
CD	AUXILIARY COOLING FANS	22
CG	CNG FUEL LEVEL	23
CH	UREA DOSING SYSTEM	24
CI	METHANE DETECTION	25
CJ	ENGINE INTERFACE CUMMINS ISLG OBD 2018	26
DC	TRANSMISSION CONTROL 5th GENERATION 1/3	27
DD	TRANSMISSION CONTROL 5th GENERATION 2/3	28
DE	TRANSMISSION CONTROL 5th GENERATION 3/3	29
EA	ABS - MERITOR	30

NAME	DESCRIPTION	PAGE
EC	ABS BENDIX 8	31
FA	AIR DRYER/HEATED DRAIN	32
FB	CHASSIS SOLENOIDS	33
FC	MUNCIE PUMP, BEACON LAMPS & WORKBRAKE SO	34
FD	PARKER PTO	35
GA	LIGHTING - CONTROLS	36
GD	LIGHTING - FORWARD/SIGNAL	37
GF	LIGHTING - TAIL LAMP	38
GG	LIGHTING - TRAILER CONTROL	39
GH	LIGHTING - LH/RH CONTROL & INTERIOR	40
GP	WINDSHIELD WASHER	41
GO	HORN WIRING	42
HA	CLIMATE CONTROL	43
HB	CLIMATE CONTROL ROOF AC	44
IC	MIRRORS DUAL REMOTE	45
ID	MIRRORS DUAL REMOTE MEMORY	46
IE	POWER WINDOWS	47
IF	POWER DOOR LOCKS	48
KA	AUDIO & VISUAL SYSTEMS	49
KC	POWER OUTLET CONNECTIONS	50
NA	SPARE CONNECTIONS AND FEEDS	51
NB	JUNCTION POSTS	52
XA	OBD - DATA LINK 1 & DIAGNOSTICS - MACK E	53
XB	OBD - DATA LINK 1 & DIAGNOSTICS - 2018 C	54
XC	OBD - DATA LINK 2	55
XD	OBD - DATA LINK 4	56
XE	OBD - DATALINK 10	57

The copying, distribution and utilization of this document as well as the communication of its contents to others without expressed authorization is prohibited. Offenders will be held liable for payment of damages. All rights reserved in the event of the grant of a patent, utility model or ornamental design registration.

Document title

WIRING DIAGRAM - TYPE-OL-LR 2019_OL-01

The legal owner of this document is as stated under "Design Location" in KOLA and in the associated "Part Version Report"

Document type

PRODUCT SCHEMATICS

Document No

23456108

Issue

02

Volume

1 (2)

Sheet No

1 (57)



Group Trucks Technology

0

1

2

3

4

ABBREVIATION LIST, 12V

SHELL CAVITY	HARNESSES	WHERE USED
AAC_DT	DASH OVERLAY	AUX AUDIO
AAC_TS	SLEEPER OVERLAY	AUX AUDIO
ABS_X1	MAIN CAB	ABS JUMPER
ABS_X2	MAIN CAB	ABS JUMPER
ABS_X3	MAIN CAB	ABS JUMPER
ACLD	FUSION A PILLAR	LANE DEPARTURE
AF_AFR	DASH OVLY	AUX COOLING FAN
ALLISON	AUTOTRANS TRANS	ALLISON
AT_CAB_TRANS	MAIN CAB	TRANSMISSION
AUX_SW_PWR	MAIN CAB	MISC SW_PWR
BB_CAB	BODY_BUILDER_CAB	BODY_BUILDER_CHASSIS
BBCBEC	BODY_BUILDER_CAB	BODY_BUILDER_CHASSIS
BBM_1939	MAIN CAB	BODY_BUILDER_CAB
BBTR	BODY_BUILDER_CHASSIS	BB_INTERCONNECTION
BOCLPL	SLEEPER	BACK_OF_CAB_LAMP
BOCLPR	SLEEPER	BACK_OF_CAB_LAMP
DSFC	DS_HARNESSES	REAR_CHASSIS_EXTENSION
EFRC	FRONT_CHASSIS	FUSE_RELAY_CENTER
ESFC	FRONT_CHASSIS	ECS_OVERLAY
FCAC	FRONT_CHASSIS	APADS
FCAE2	FRONT_CHASSIS	BATTERY_PWR
FCCE	FRONT_CHASSIS	REAR_CHASSIS_EXTENSION
FCCL	FRONT_CHASSIS	COOLANT_LEVEL
FCCUT4	FRONT_CHASSIS	UREA_TANK
FCEGO	FRONT_CHASSIS	STANTION_HARNESSES
FCEIC	FRONT_CHASSIS	UREA_DOSING
FCEN	FRONT_CHASSIS	ENGINE
FCFA	FRONT_CHASSIS	ANTENNA
FCHL	FRONT_CHASSIS	HEADLIGHTS_LEFT
FCHLR	FRONT_CHASSIS	HEADLIGHTS_RIGHT
FCRE	TAIL_LAMP_EXT	TAIL_LAMP_EXTENSION
FCTR	FRONT_CHASSIS	TRANSMISSION
FCUT	UREA_TANK	UREA_TANK_EXTENSION
FCWB	FRONT_CHASSIS	WASHER_BOTTLE
FRC_J1	MAIN CAB	FUSE_RELAY_CENTER
FRC_J2	MAIN CAB	FUSE_RELAY_CENTER
FRC_J3	MAIN CAB	FUSE_RELAY_CENTER
FRC_J4	MAIN CAB	FUSE_RELAY_CENTER

SHELL CAVITY	HARNESSES	WHERE USED
FRC_J5	MAIN CAB	FUSE_RELAY_CENTER
FUSEXT	FUSION A PILLAR	LANE DEPARTURE EXTENSION
HLSO	HEADLINER	COURTESY LIGHTS
HOOKUPLP	MAIN CAB	HOOKUP LAMPS
ILLUM_OPT	MISC SWITCH	OPTIONAL ILLUMINATION
MCABS	MAIN CAB	ABS
MCACC	MAIN CAB	OVERLAY_ACC
MCAF	MAIN CAB	AUX_FAN
MCBBM	MAIN CAB	PTO
MCDIAG	MAIN CAB	DIAGNOSTICS
MCDL	MAIN CAB	DOOR-L
MCDR	MAIN CAB	DOOR-R
MCES	MAIN CAB	ECS_OVERLAY
MCFC	MAIN CAB	FRONT_CHASSIS
MCFH	MAIN CAB	SLEEPER
MCHL	MAIN CAB	HOOKUP LAMPS
MCME	MAIN CAB	METHANE
MCOF1	MAIN CAB	ROOF
MCOF2	MAIN CAB	ROOF
MCOF2A	MAIN CAB	SPEAKER
MCOF2B	ROOF	SPEAKER
MCOF3	MAIN CAB	ROOF
MCOF5	METHANE	ROOF
MCQP	MAIN CAB	QUALCOMM PEOPLENET
MCSC	MAIN CAB	STEERING COLUMN
MCSEM	MAIN CAB	INFOTAINMENT
MCTR	MAIN CAB	TRANSMISSION
PB_START	PBSTART_HARNESSES	ENGINE_START
RCECS	CHASSIS ECS OVERLAY	ECS
RCSP	FRONT_CHASSIS	SOLENOID_PACK
RFHL	ROOF	ROOF HEADLINER
RFRS	ROOF	RADIO SHELF
ROMJ	ROOF	METHANE JUMPER
SFSR	SLEEPER_FRONT	SLEEPER_REAR
SLOB	SLEEPER	OVERHEAD BUNK
SLRFHL	ROOF	HEADLINER
TLBU	TAIL_LAMP	BACKUP_ALARM
TLRE	TAIL_LAMP	TAIL_LAMP_EXTENSION

0

1

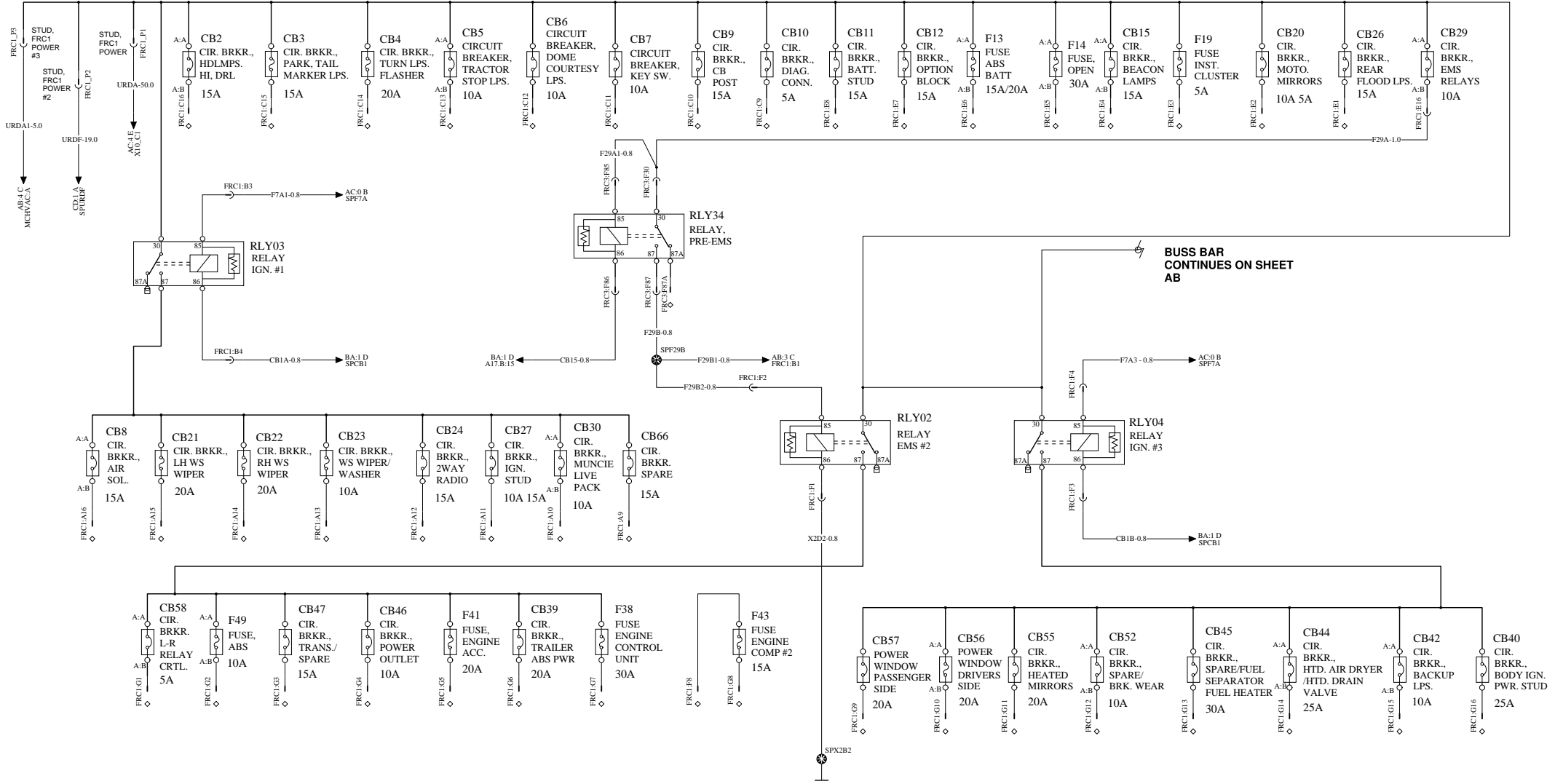
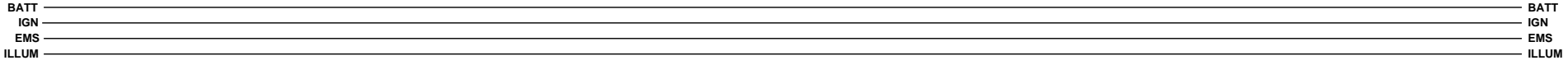
2

3

4

POWER DISTRIBUTION 1/2

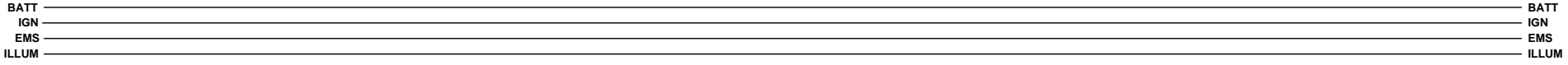
WIRING DIAGRAM: AA



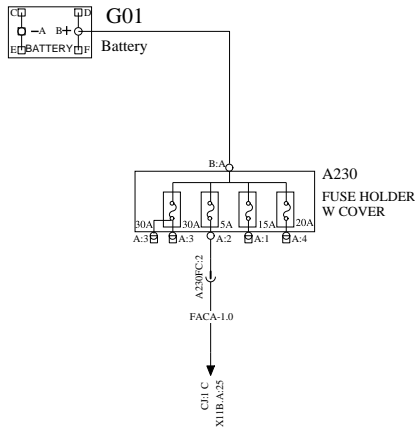
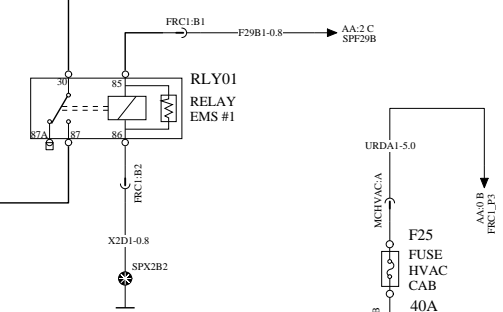
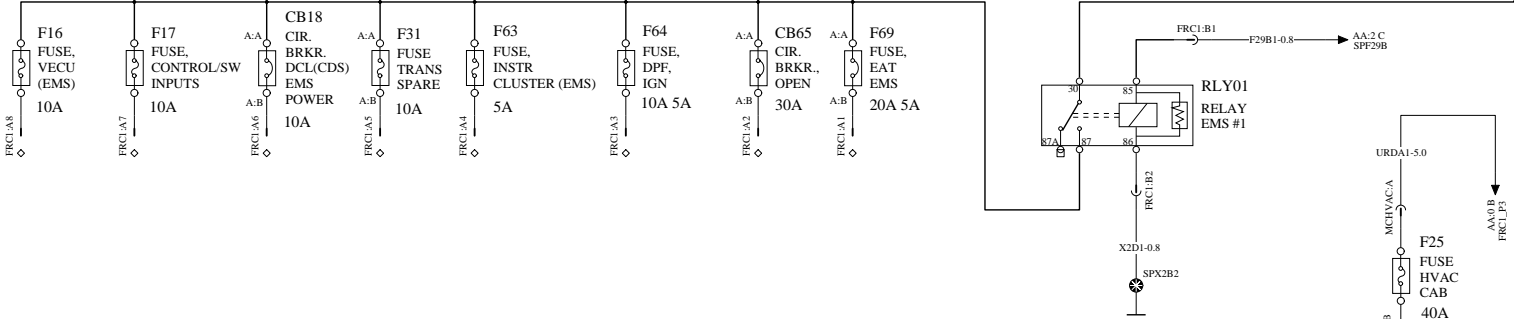
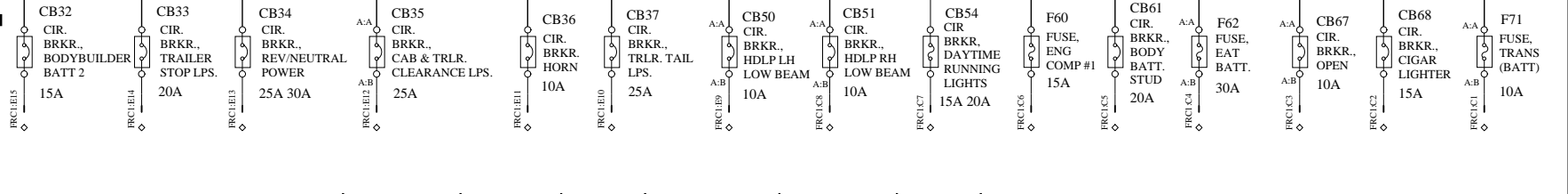
BUSS BAR CONTINUES ON SHEET AB

POWER DISTRIBUTION 2/2

WIRING DIAGRAM: AB



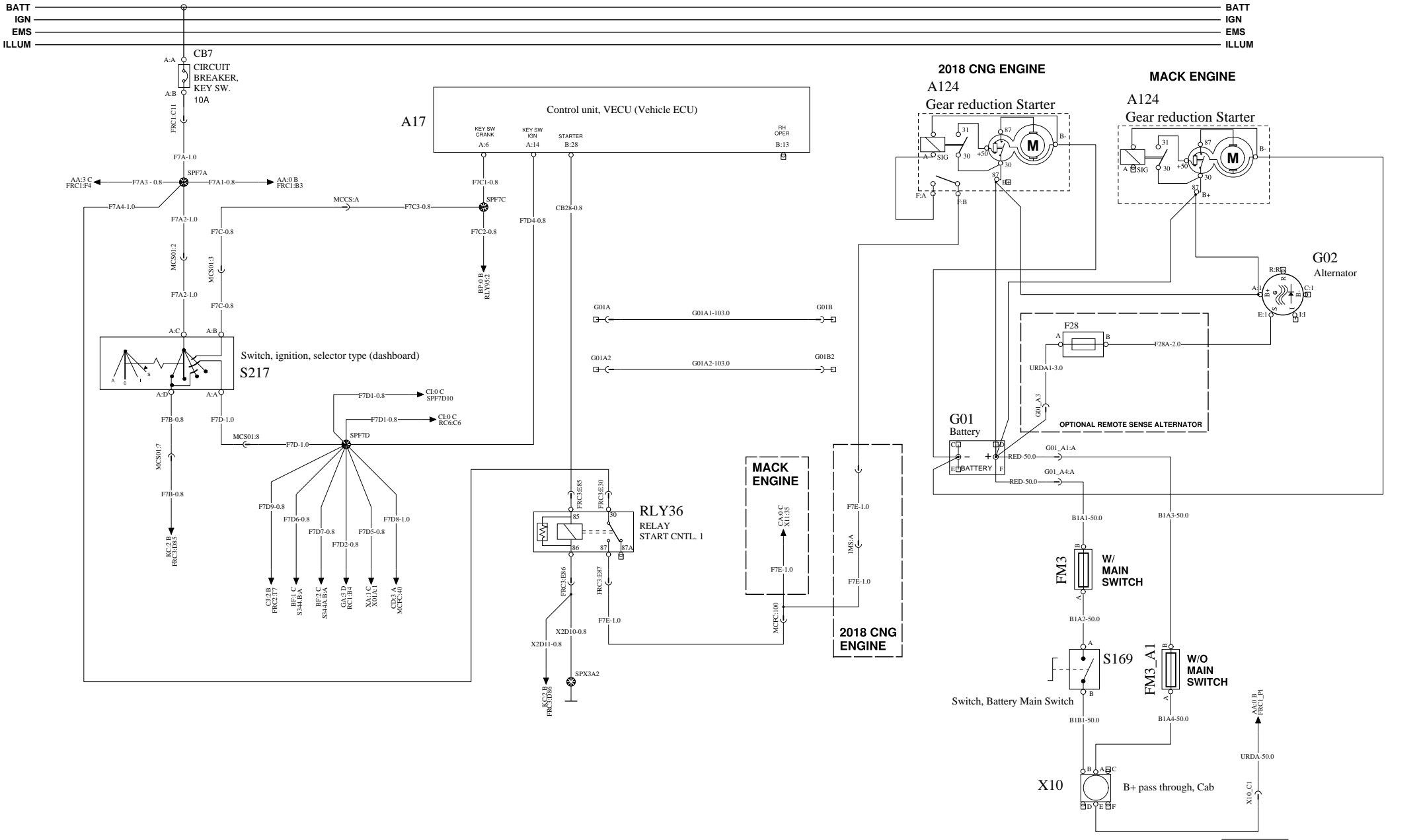
BUSS BAR
CONTINUES ON
SHEET
AA



	Document title WIRING DIAGRAM - TYPE-OL-LR 2019_OL-01	Document No 23456108	Issue 02	Volume 1 (2)	Page 4 (57)
	Document type PRODUCT SCHEMATIC				

KEY SW, START & CHARGING

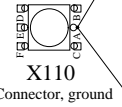
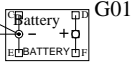
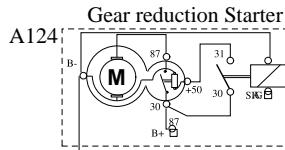
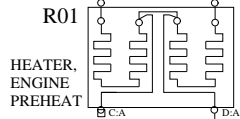
WIRING DIAGRAM: AC



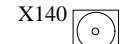
GROUNDING

WIRING DIAGRAM: AD

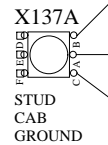
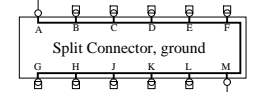
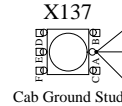
BATT
IGN
EMS
ILLUM



Battery Box Ground Stud



X18
Fusible Link

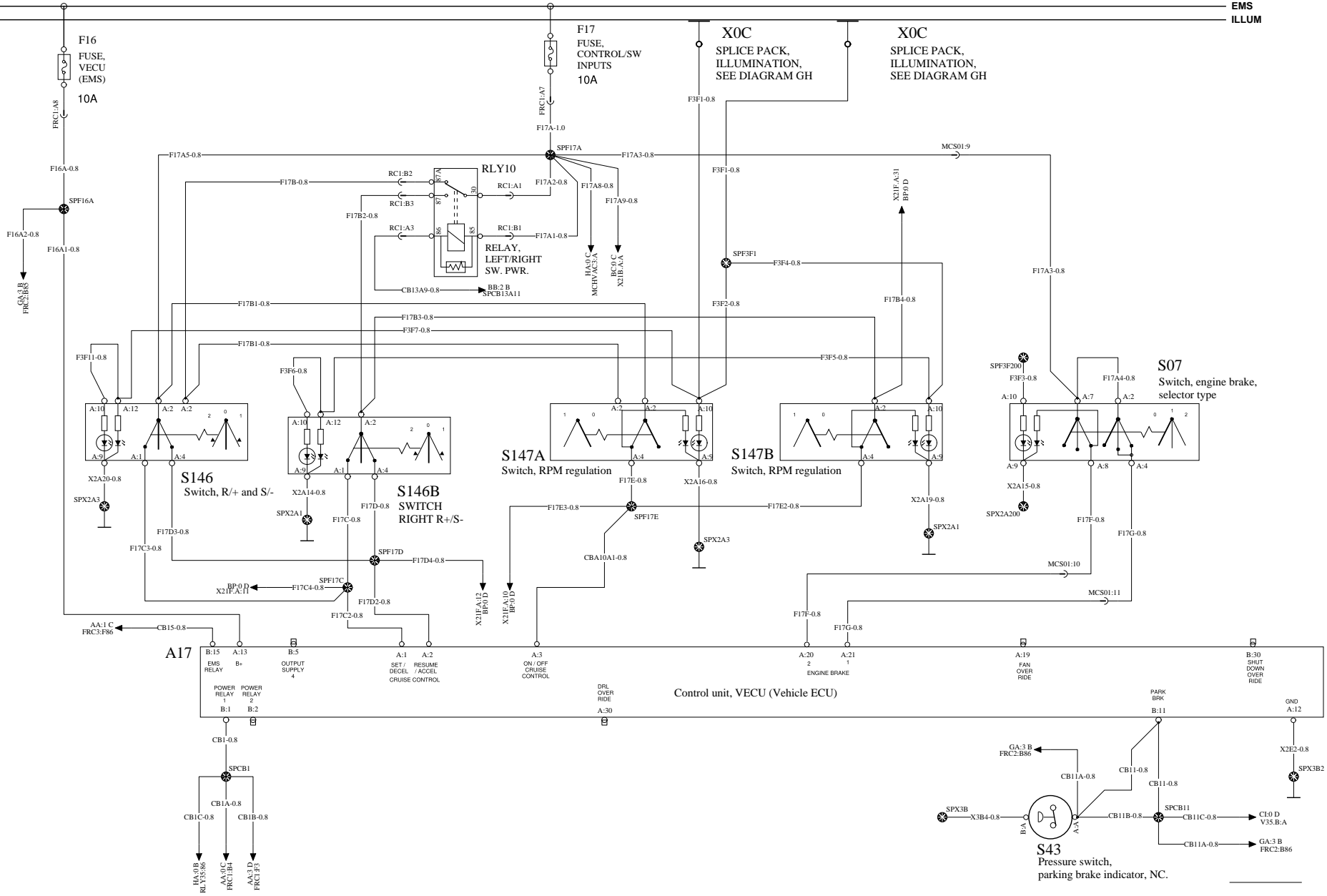


GROUND, ENGINE BLOCK,
ALTERNATOR, PRE-HEATER

2018 CNG ONLY

BATT
IGN
EMS
ILLUM

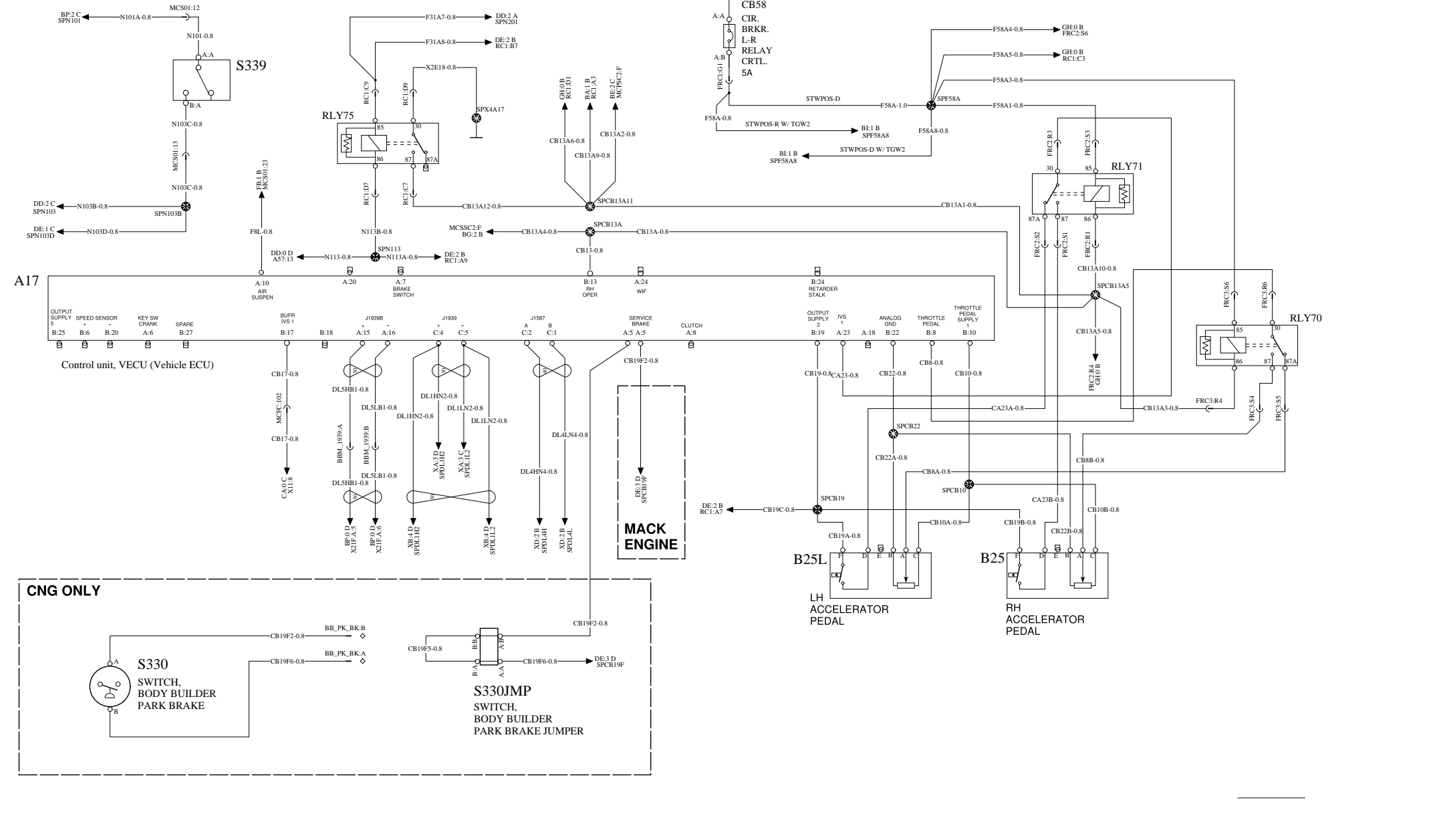
BATT
IGN
EMS
ILLUM



VEHICLE ECU STWPOS-D 2/5

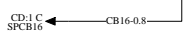
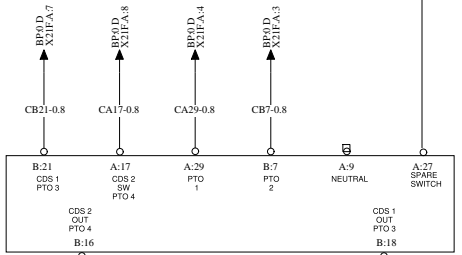
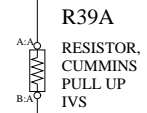
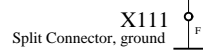
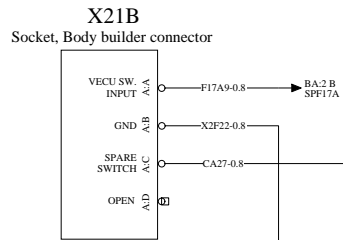
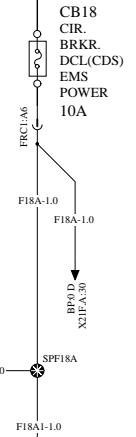
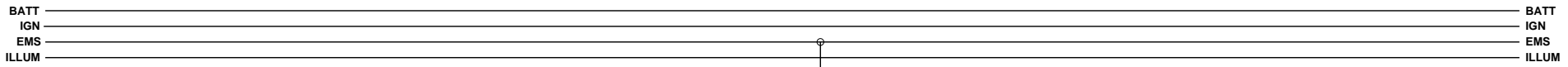
WIRING DIAGRAM: BB

BATT
IGN
EMS
ILLUM

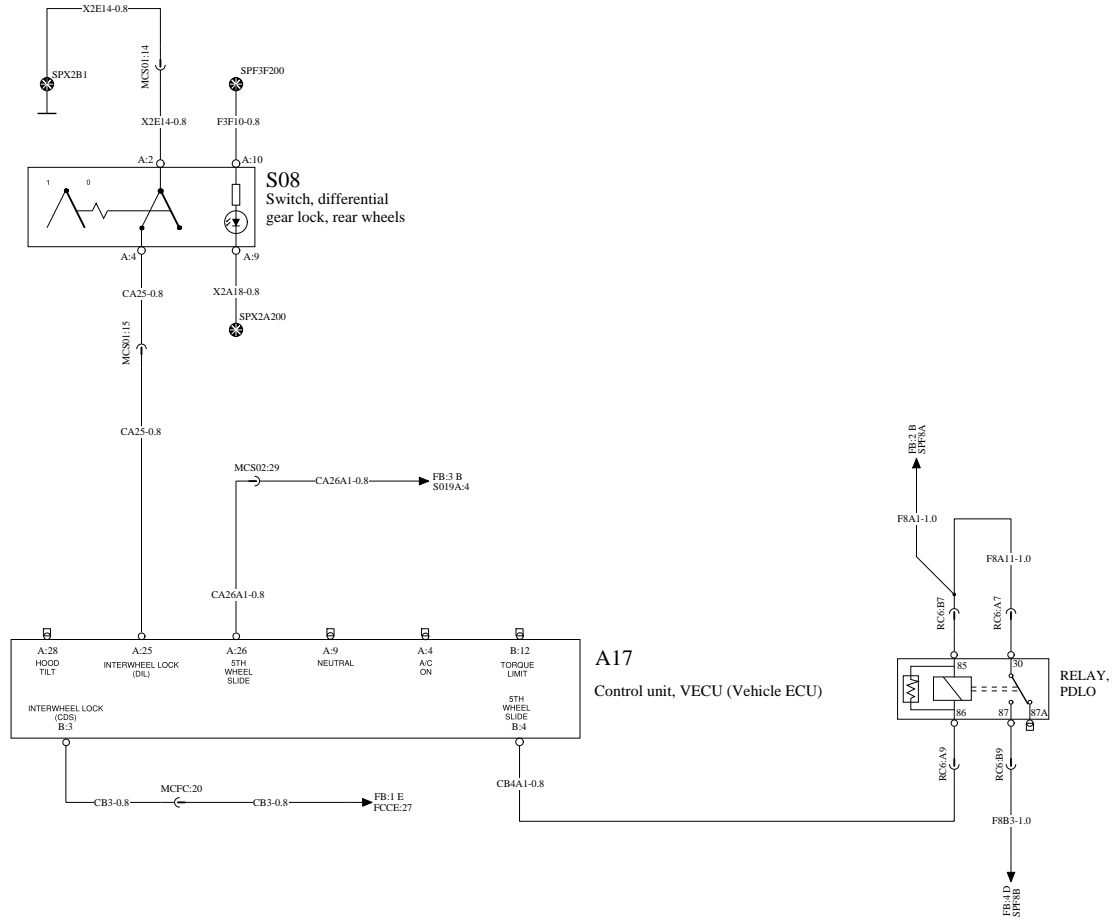


VEHICLE ECU 4/5 - DCL CONNECTOR

WIRING DIAGRAM: BC

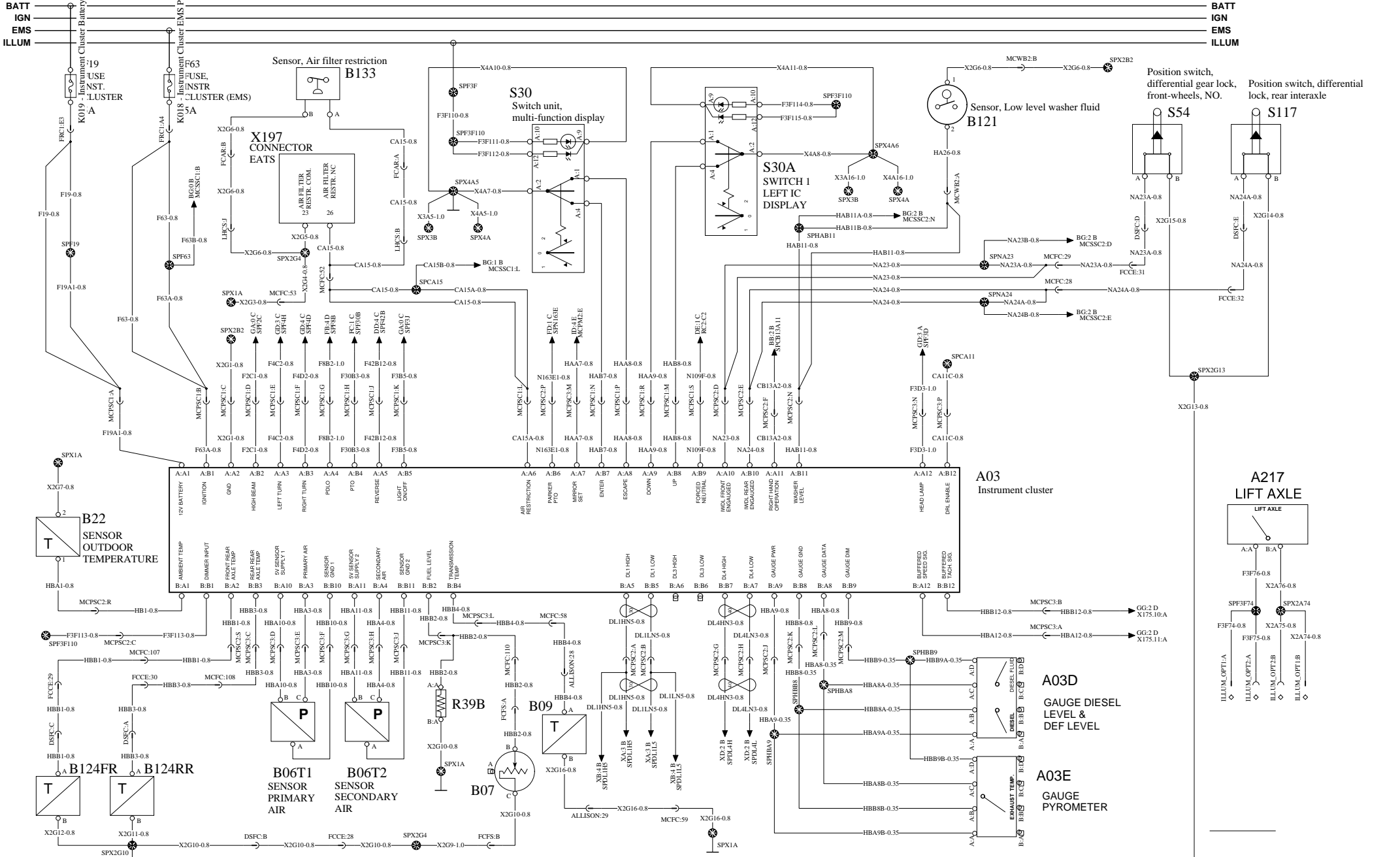


BATT	_____	BATT
IGN	_____	IGN
EMS	_____	EMS
ILLUM	_____	ILLUM



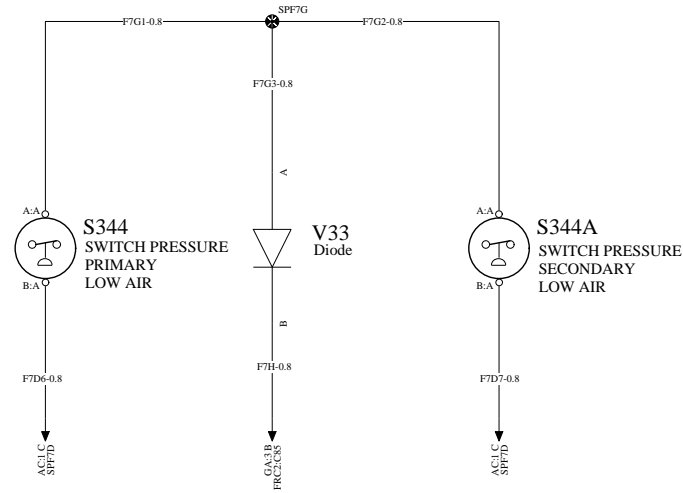
INSTRUMENT CLUSTER 1/3

WIRING DIAGRAM: BE



Document title WIRING DIAGRAM - TYPE-OL-LR 2019_OL-01	Document No 23456108	Issue 02	Volume 1 (2)	Page 11 (57)
Document type PRODUCT SCHEMATIC				

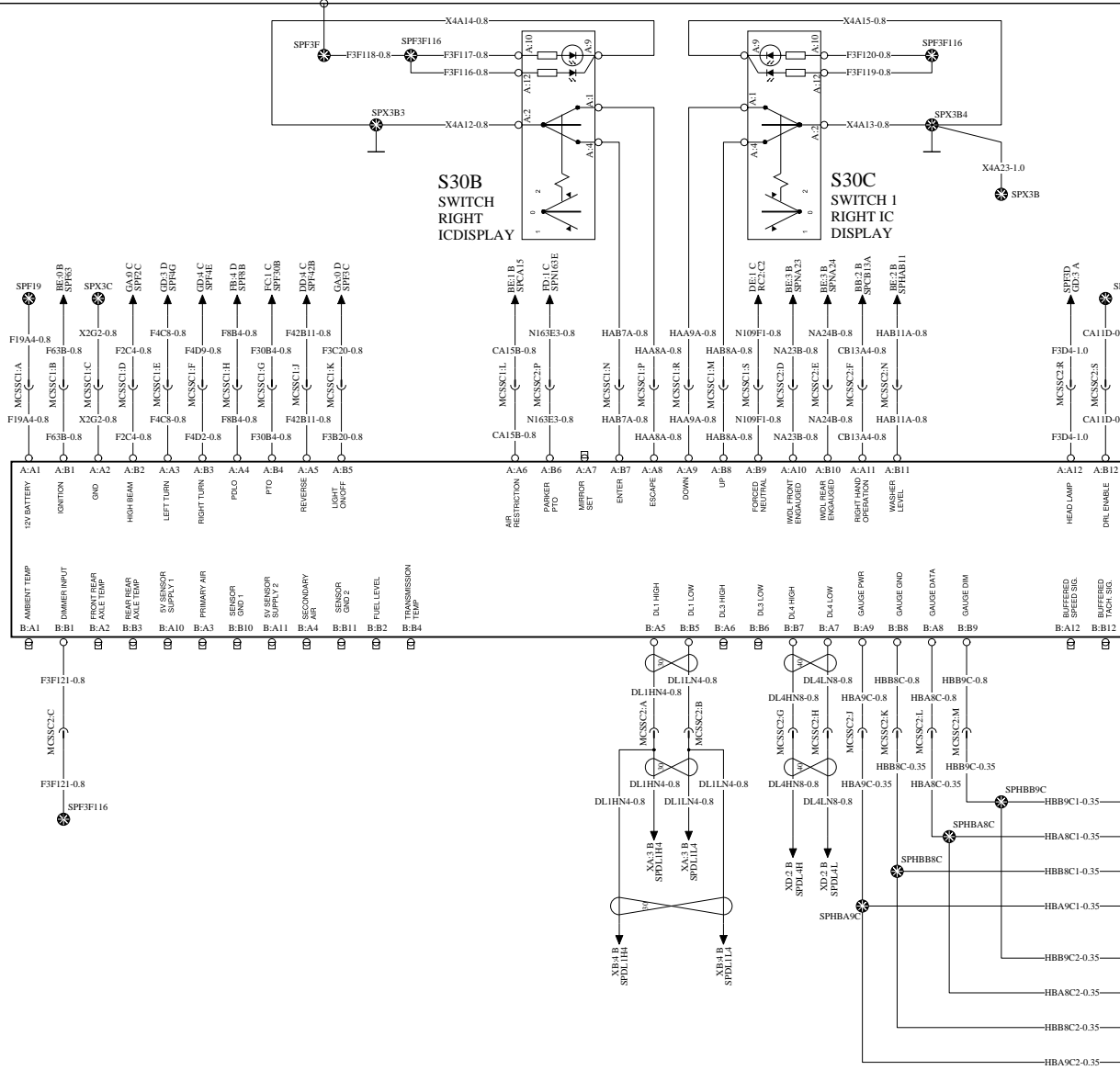
BATT	_____	BATT
IGN	_____	IGN
EMS	_____	EMS
ILLUM	_____	ILLUM



INSTRUMENT CLUSTER (SECONDARY CLUSTER) 3/4

WIRING DIAGRAM: BG

BATT
IGN
EMS
ILLUM



A153 Instrument Cluster

A153A GAUGE FUEL

A153B GAUGE PYROMETER

Document title
WIRING DIAGRAM - TYPE-OL-LR 2019_OL-01

Document type
PRODUCT SCHEMATIC

Document No
23456108

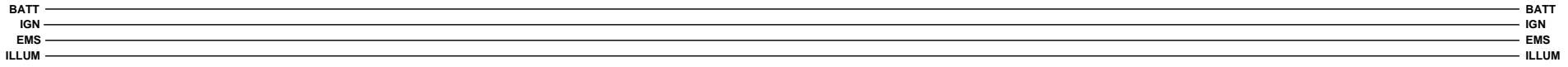
Issue
02

Volume
1 (2)

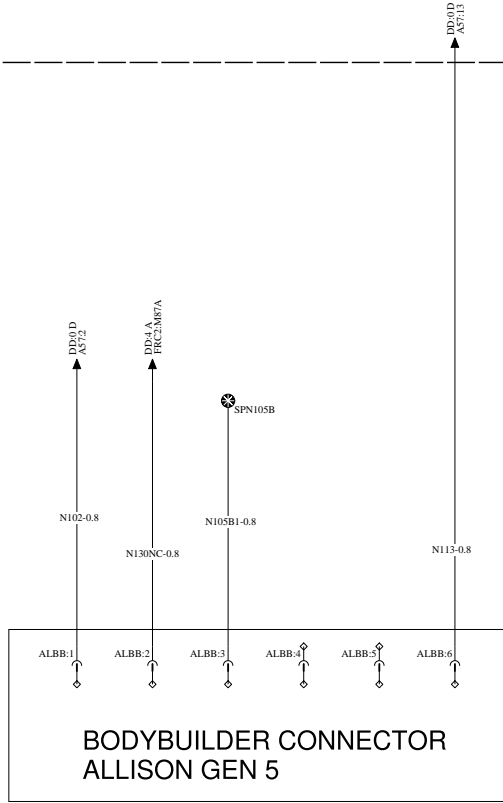
Page
13 (57)

ALLISON BODYBUILDER INTERFACE

WIRING DIAGRAM: BH

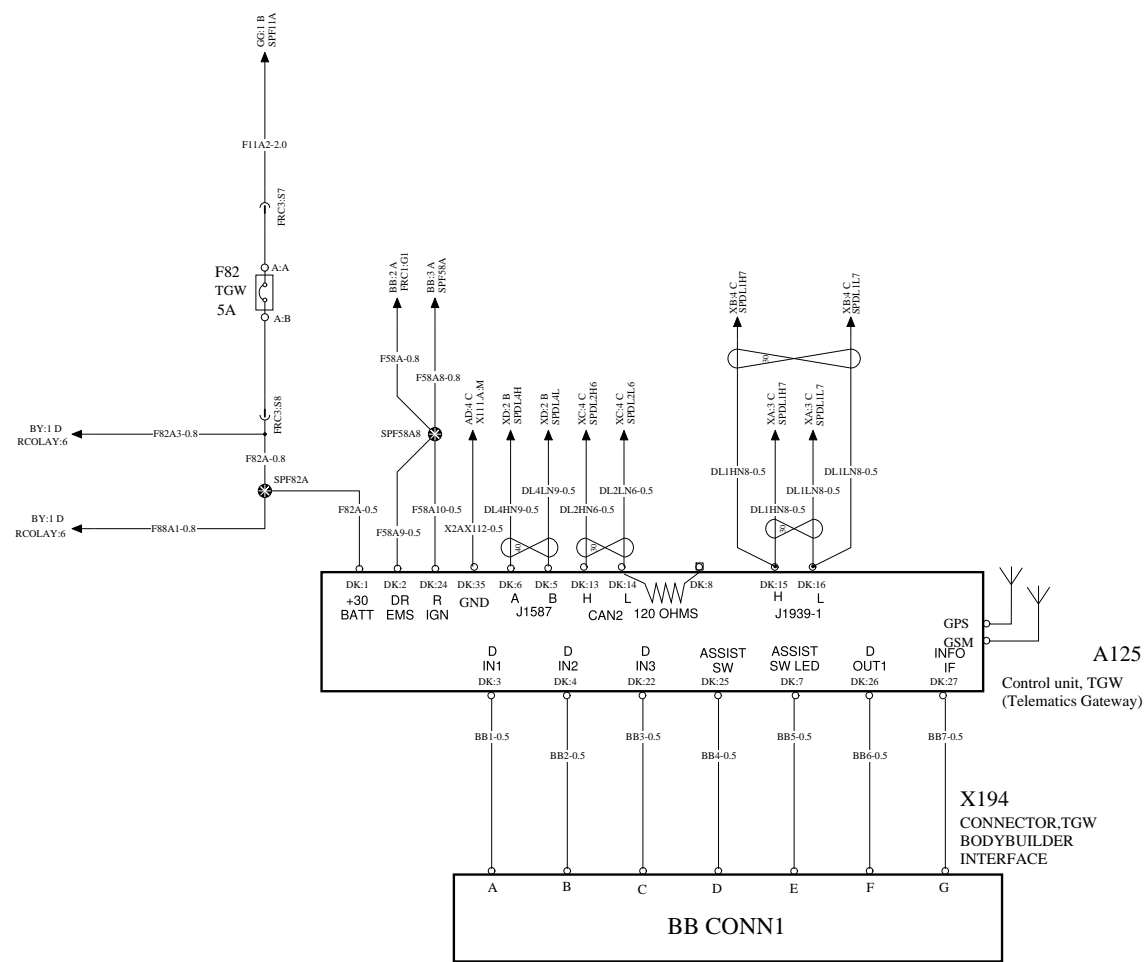
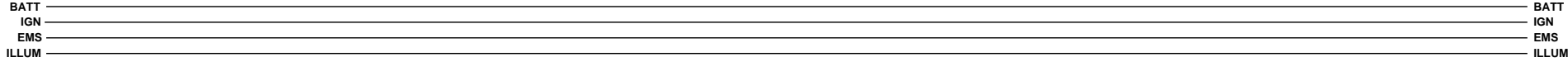


AVAILABLE WITH STWPOS-R ONLY

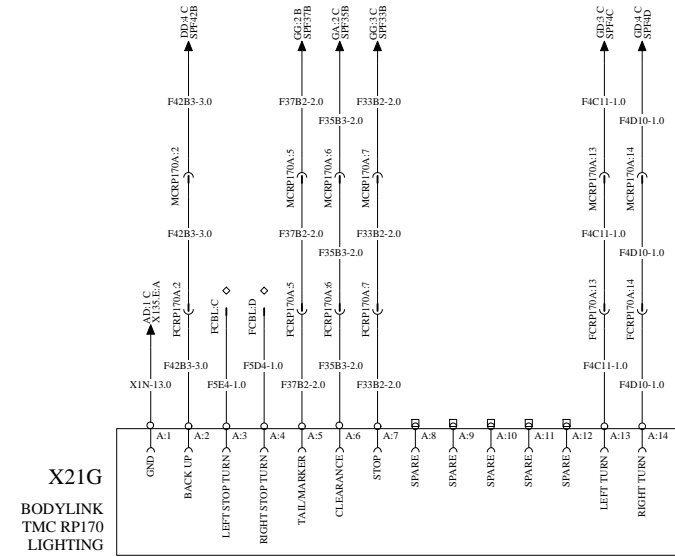
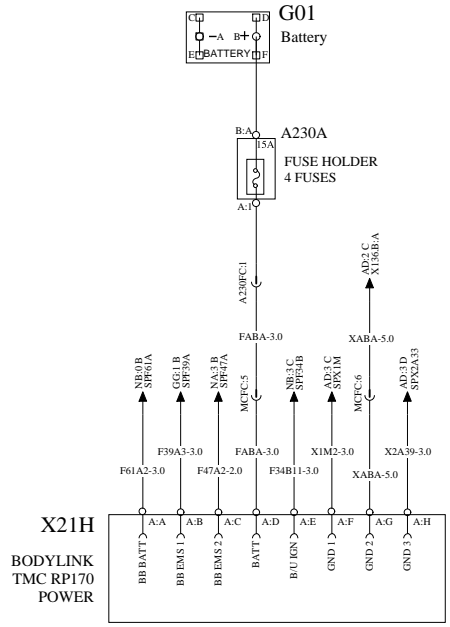
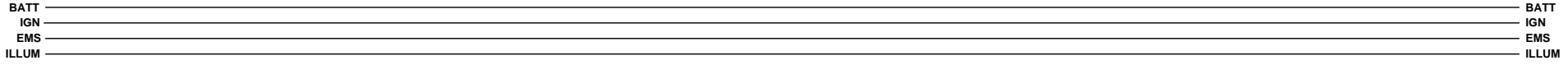


TGW2

WIRING DIAGRAM: BI



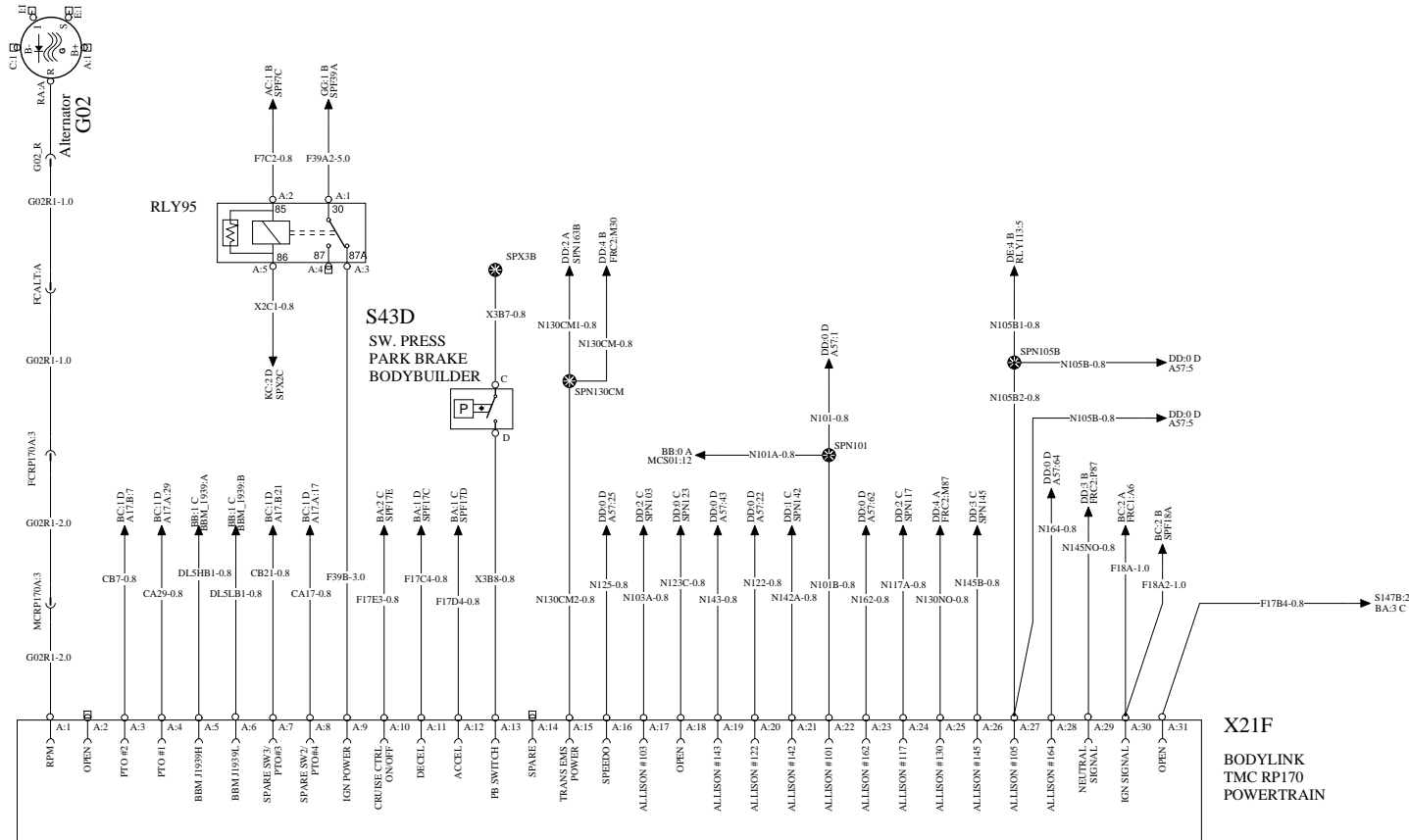
Document title WIRING DIAGRAM - TYPE-OL-LR 2019_OL-01	Document No 23456108	Issue 02	Volume 1 (2)	Page 15 (57)
Document type PRODUCT SCHEMATIC				



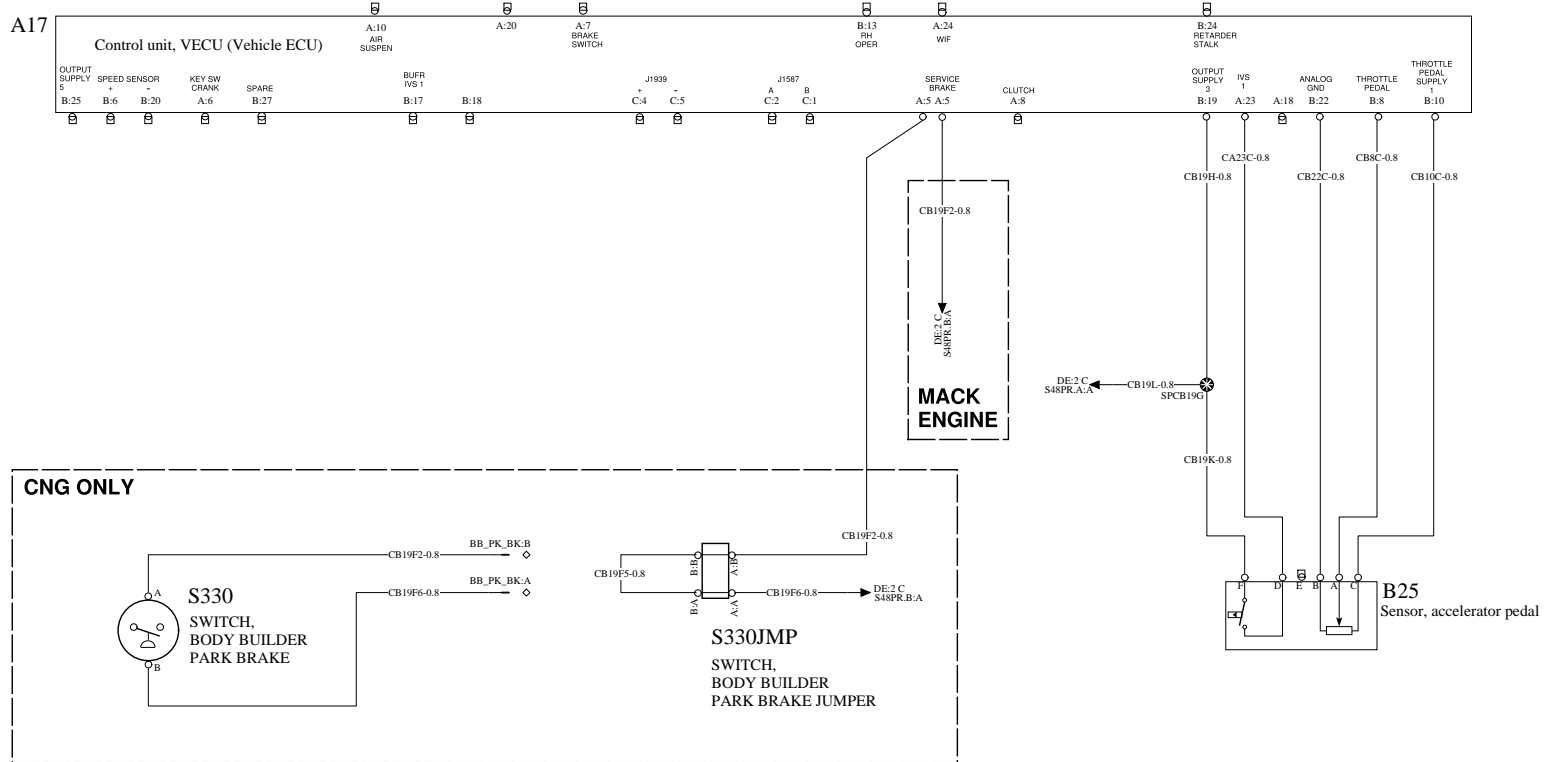
BODYLINK

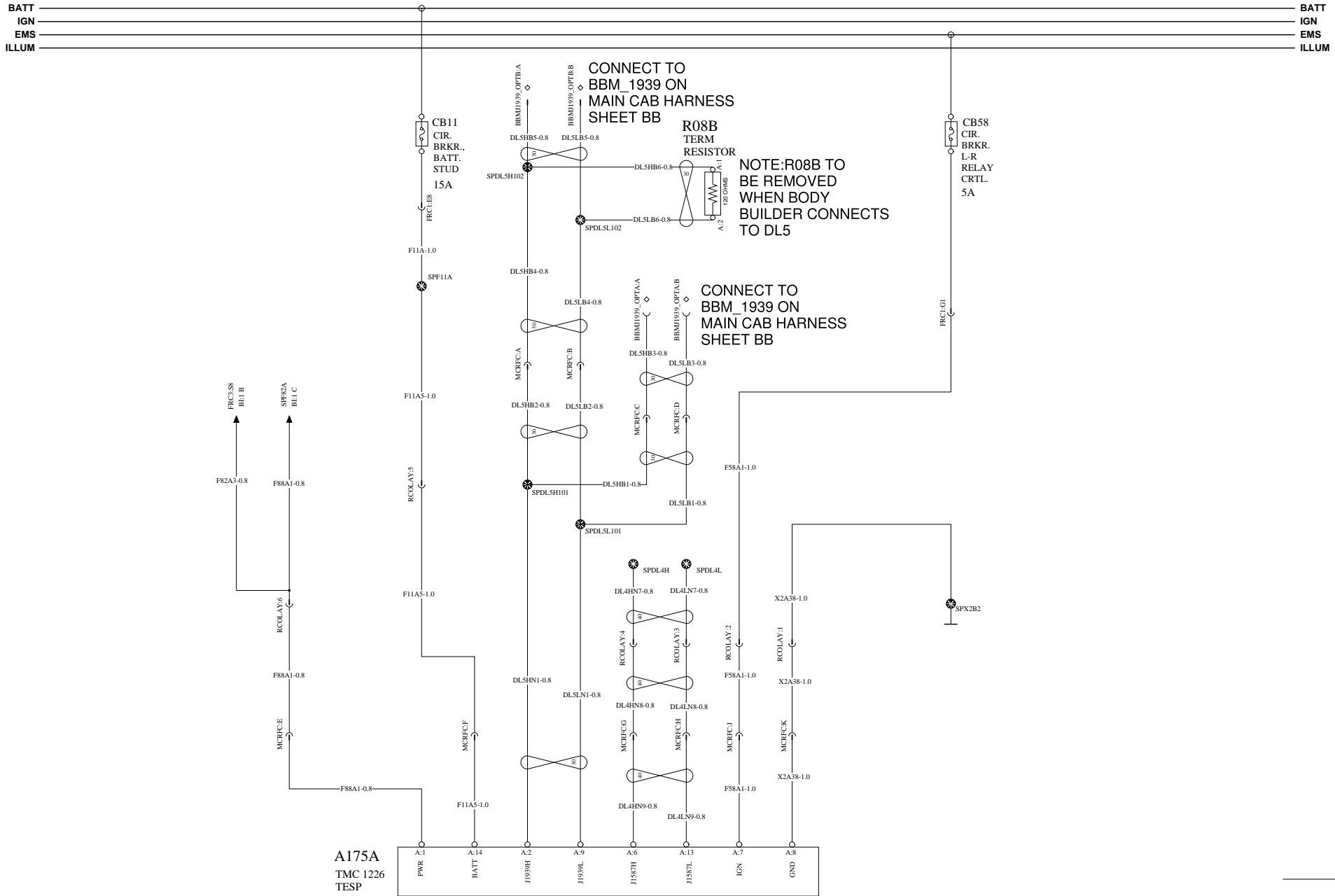
WIRING DIAGRAM:BP

BATT	_____	BATT
IGN	_____	IGN
EMS	_____	EMS
ILLUM	_____	ILLUM



BATT
IGN
EMS
ILLUM





CONNECT TO
BBM_1939 ON
MAIN CAB HARNESS
SHEET BB

R08B
TERM
RESISTOR

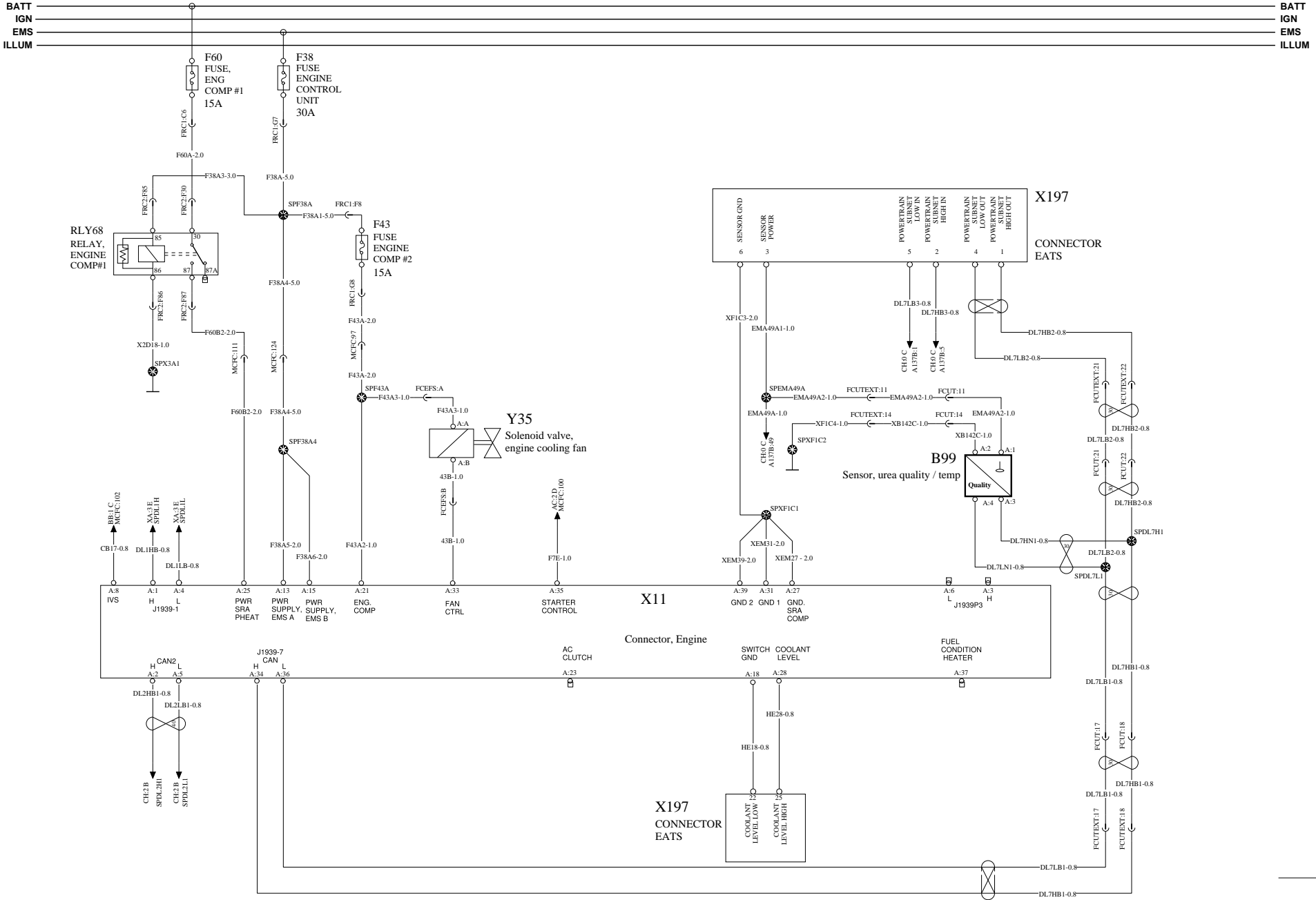
NOTE:R08B TO
BE REMOVED
WHEN BODY
BUILDER CONNECTS
TO DL5

CONNECT TO
BBM_1939 ON
MAIN CAB HARNESS
SHEET BB

A175A
TMC 1226
TESP

ENGINE INTERFACE MACK

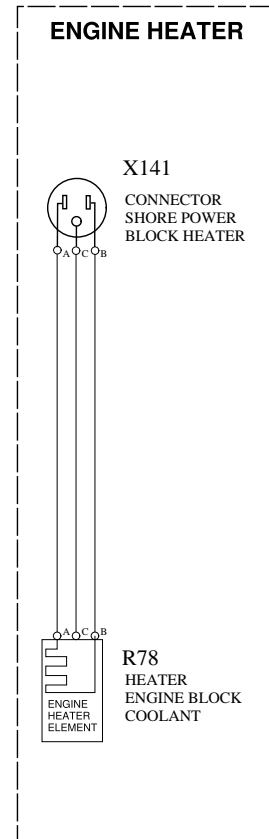
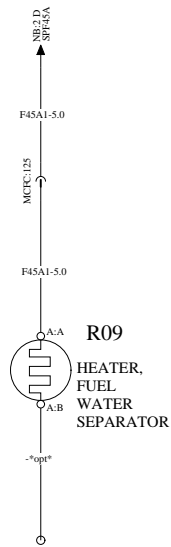
WIRING DIAGRAM: CA



ENGINE HEATER

WIRING DIAGRAM: CC

BATT _____ BATT
 IGN _____ IGN
 EMS _____ EMS
 ILLUM _____ ILLUM

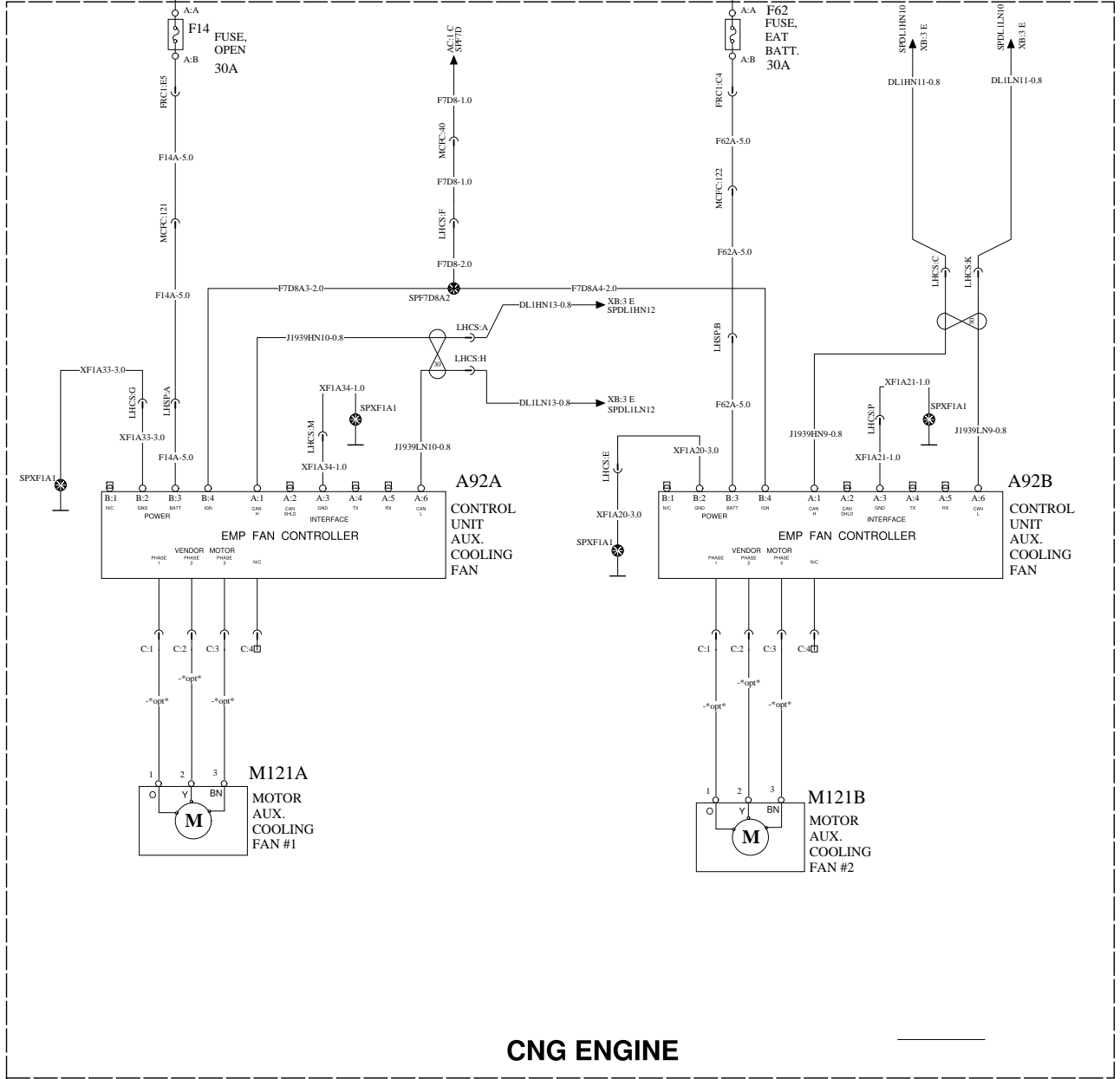
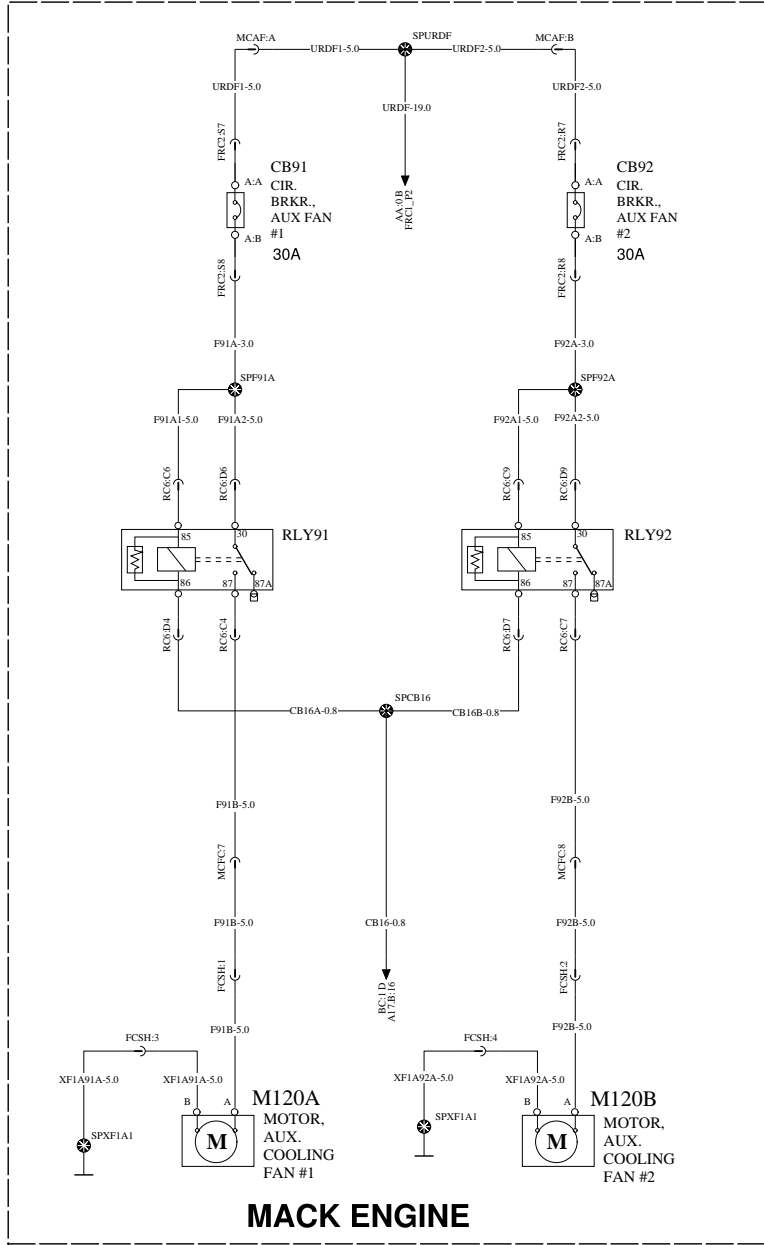


AUXILIARY COOLING FANS

WIRING DIAGRAM: CD

BATT
IGN
EMS
ILLUM

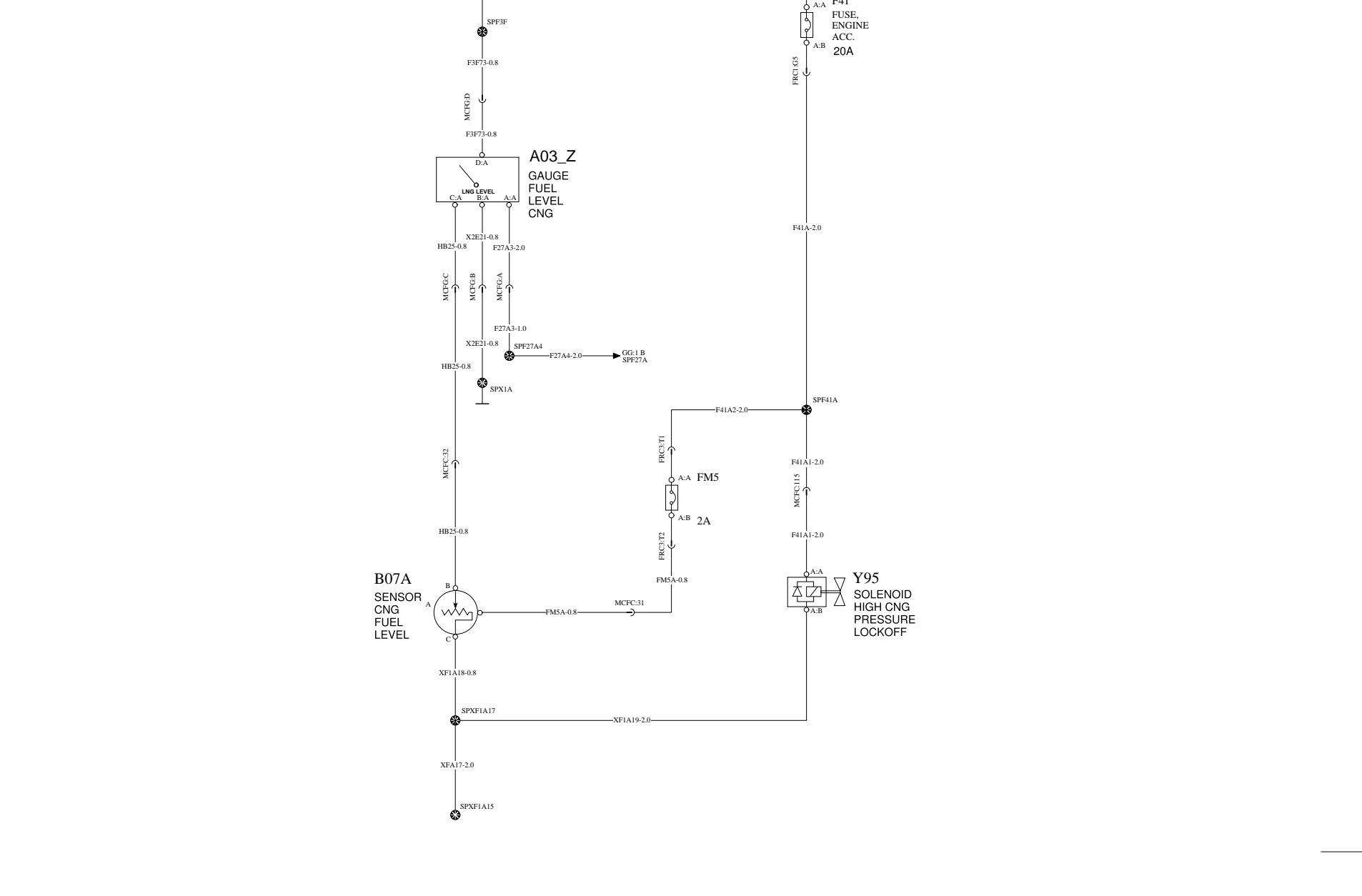
BATT
IGN
EMS
ILLUM



CNG FUEL LEVEL

WIRING DIAGRAM: CG

BATT
IGN
EMS
ILLUM

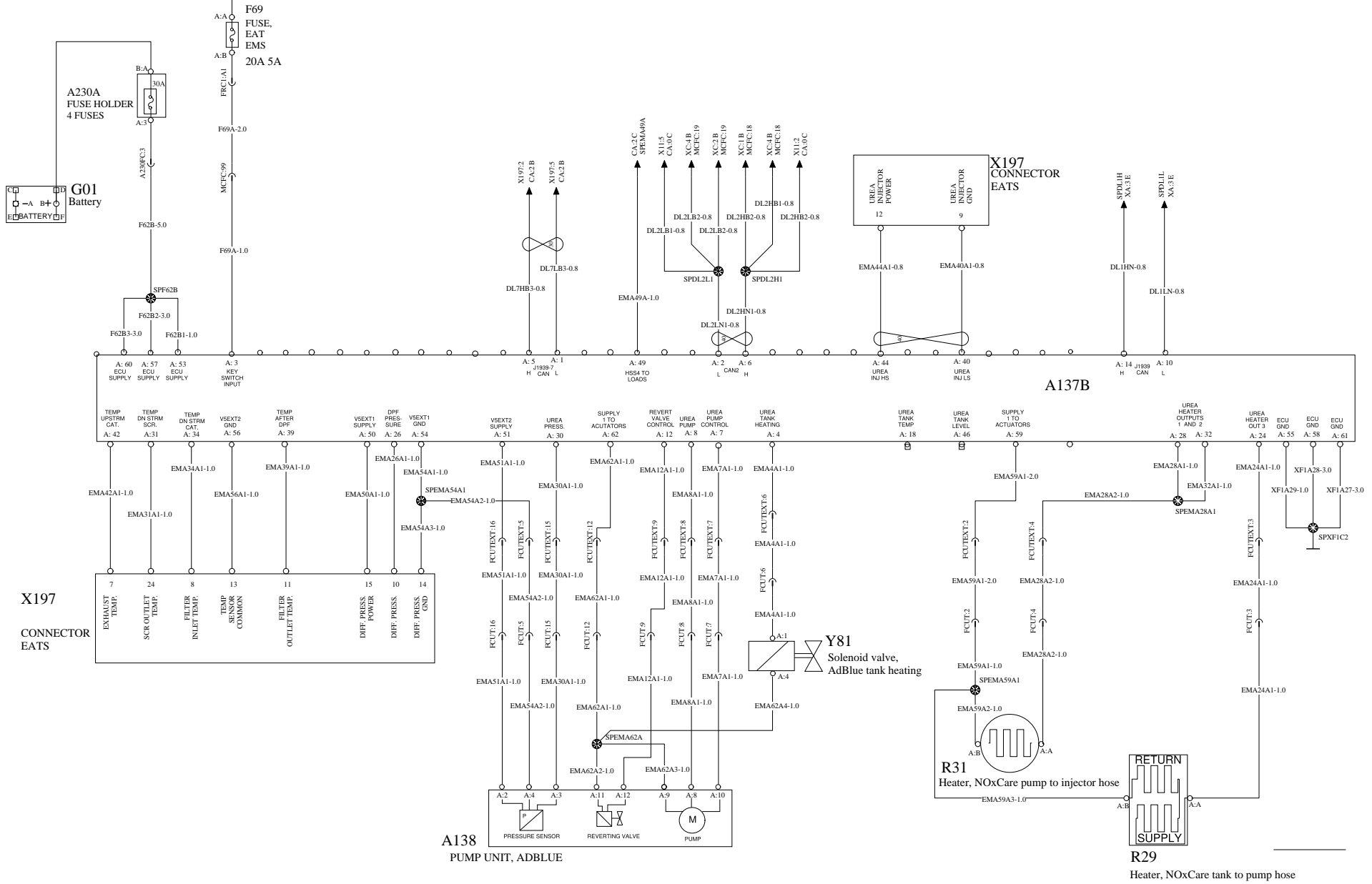


UREA DOSING SYSTEM

WIRING DIAGRAM: CH

BATT
IGN
EMS
ILLUM

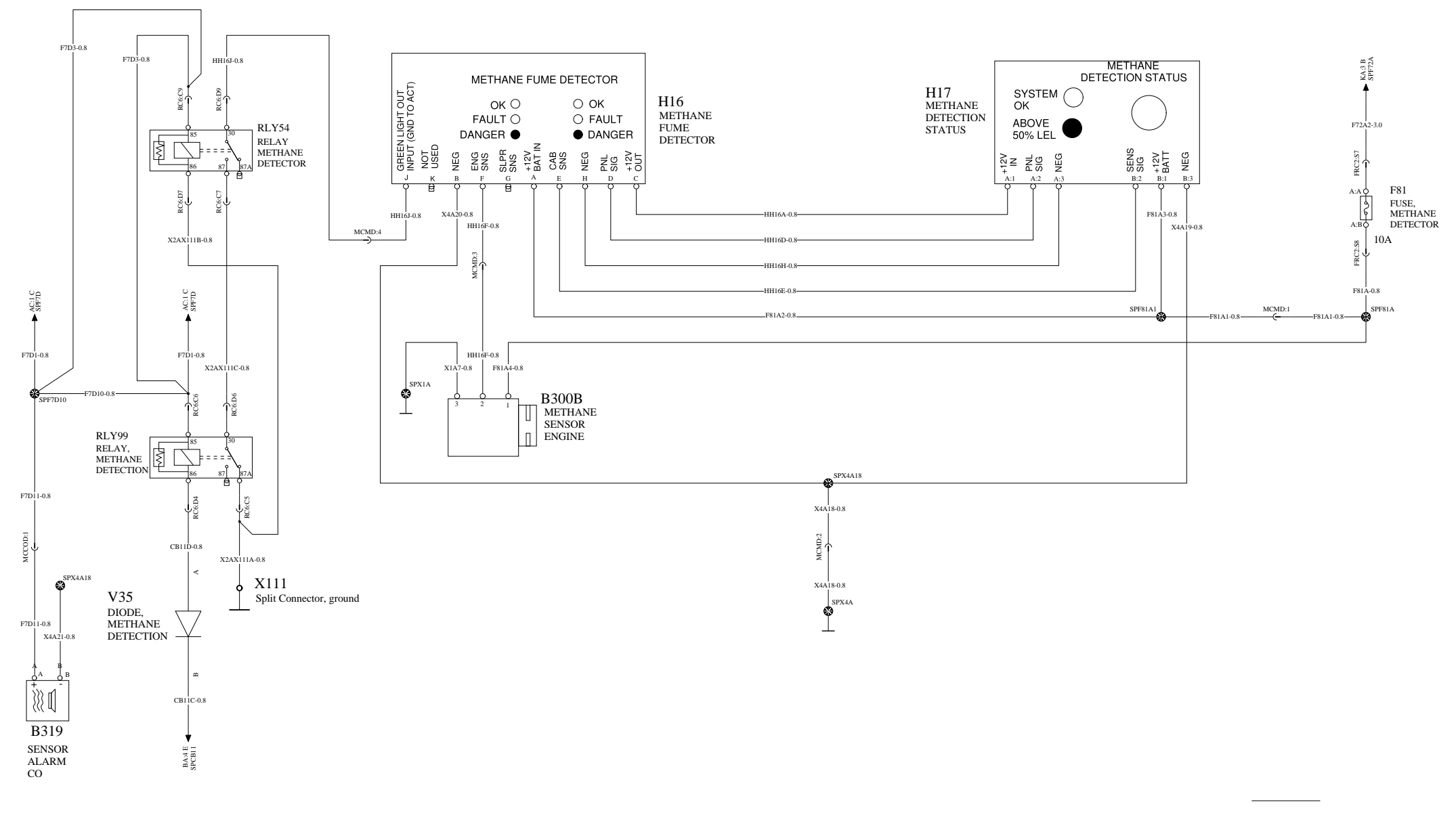
BATT
IGN
EMS
ILLUM



METHANE DETECTION

WIRING DIAGRAM: CI

BATT
IGN
EMS
ILLUM



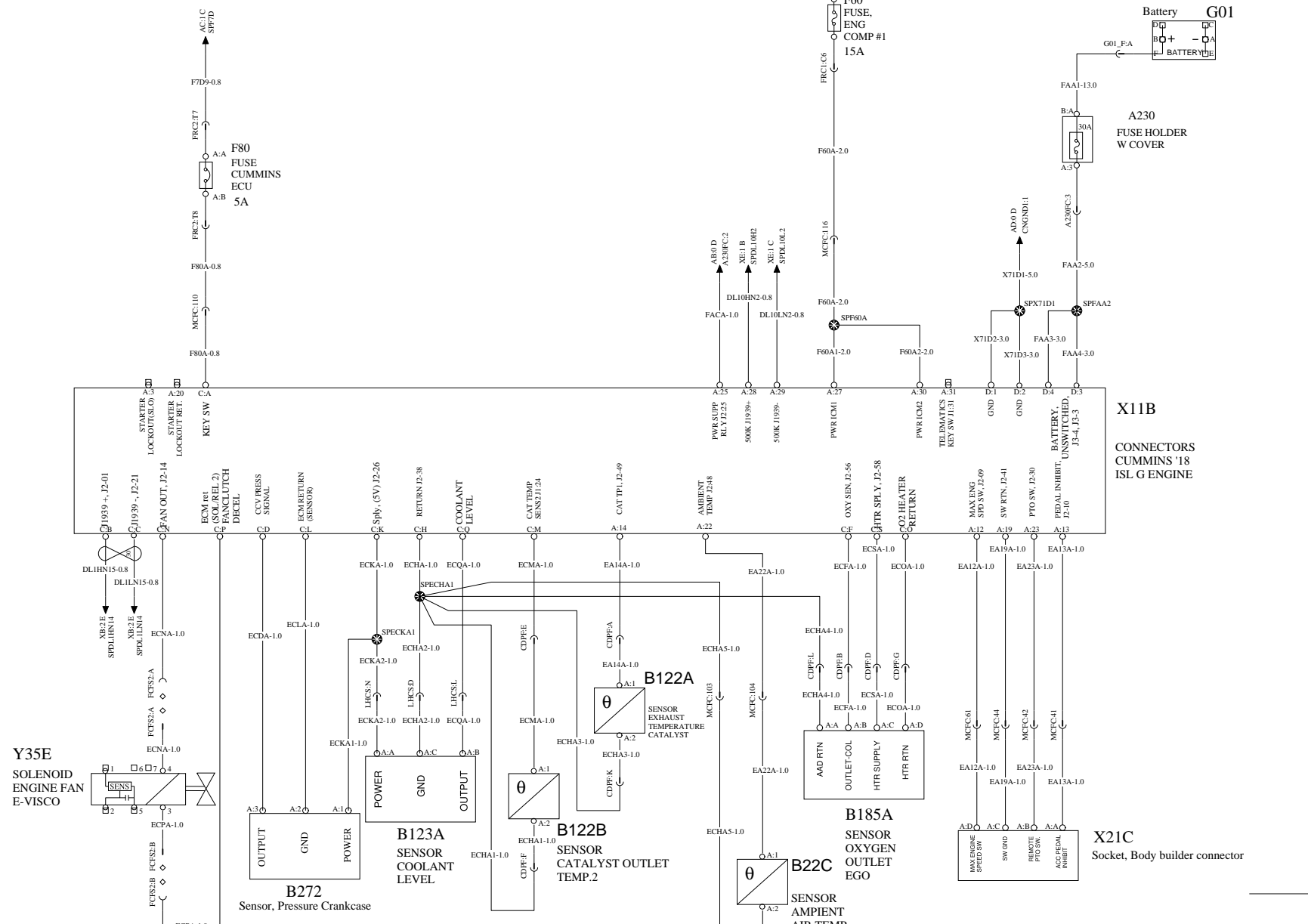
	Document title WIRING DIAGRAM - TYPE-OL-LR 2019_OL-01	Document No	Issue	Volume	Page
	Document type PRODUCT SCHEMATIC	23456108	02	1 (2)	25 (57)

ENGINE INTERFACE CUMMINS ISLG OBD 2018

WIRING DIAGRAM: CJ

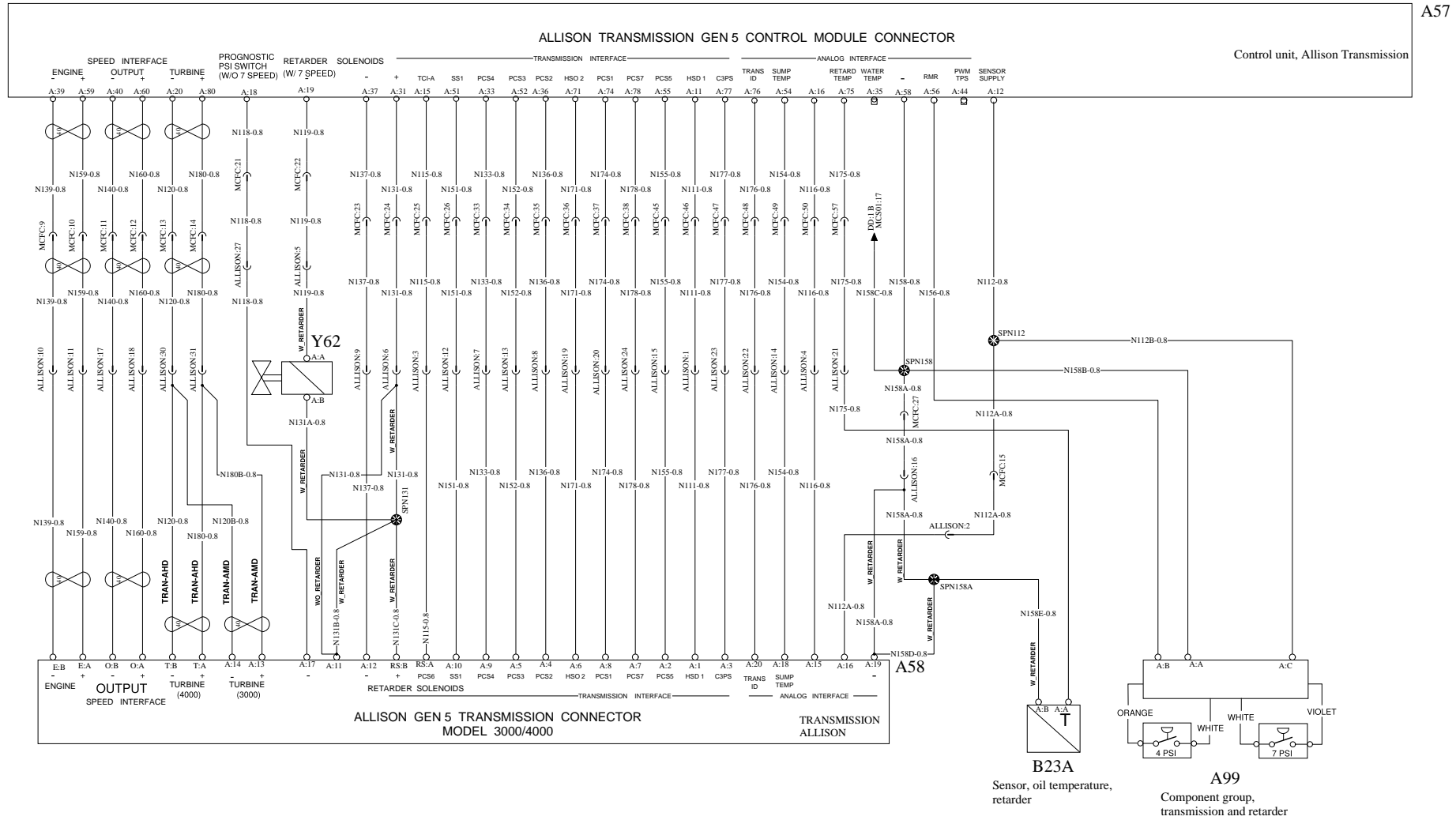
BATT
IGN
EMS
ILLUM

BATT
IGN
EMS
ILLUM



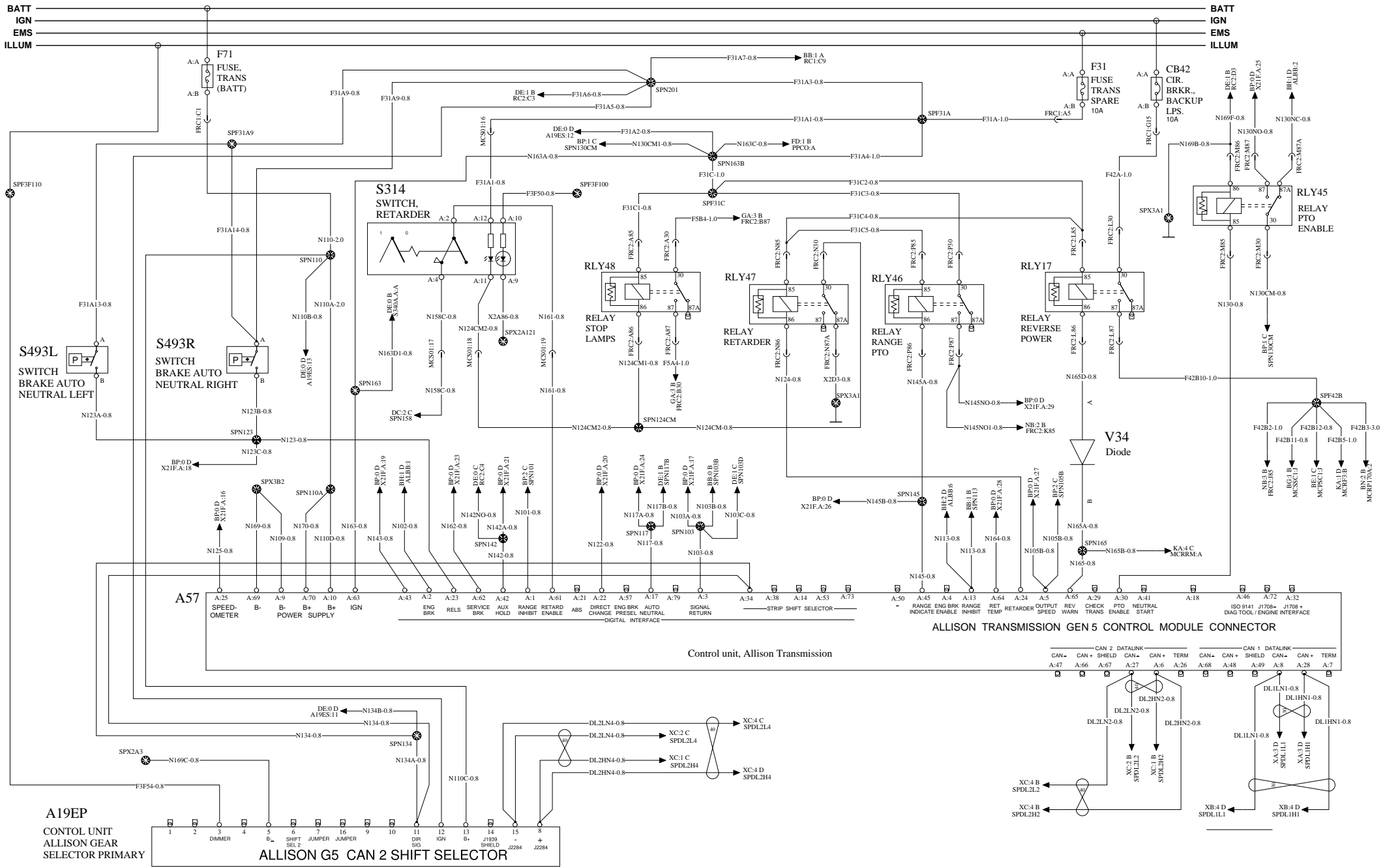
BATT
IGN
EMS
ILLUM

BATT
IGN
EMS
ILLUM



TRANSMISSION CONTROL 5th GENERATION 2/3

WIRING DIAGRAM: DD



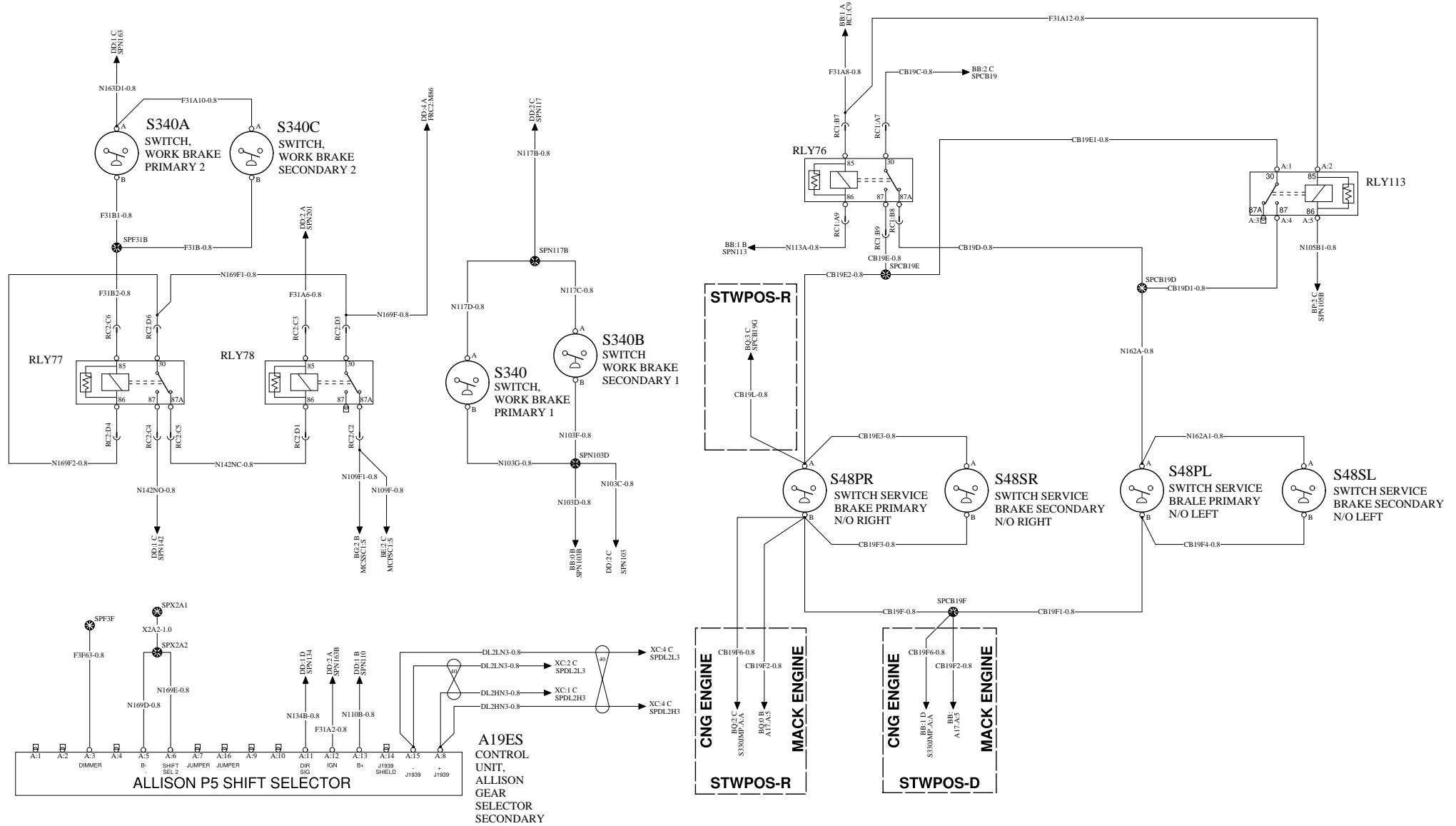
Document title
WIRING DIAGRAM - TYPE-OL-LR 2019_OL-01
 Document type
PRODUCT SCHEMATIC

Document No	Issue	Volume	Page
23456108	02	1 (2)	28 (57)

TRANSMISSION CONTROL 5th GENERATION 3/3

WIRING DIAGRAM: DE

BATT
IGN
EMS
ILLUM

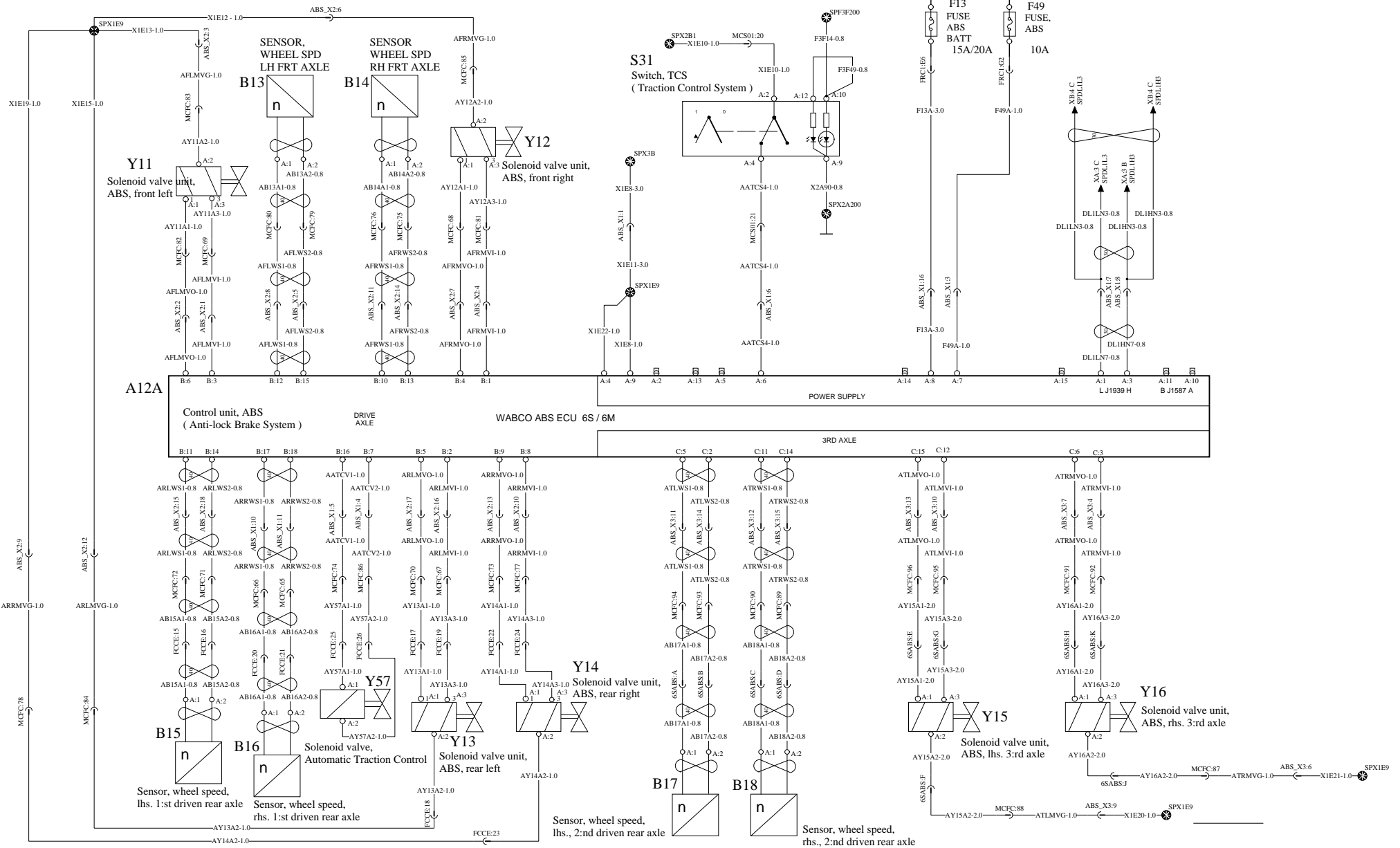


ABS - MERITOR

WIRING DIAGRAM: EA

BATT
IGN
EMS
ILLUM

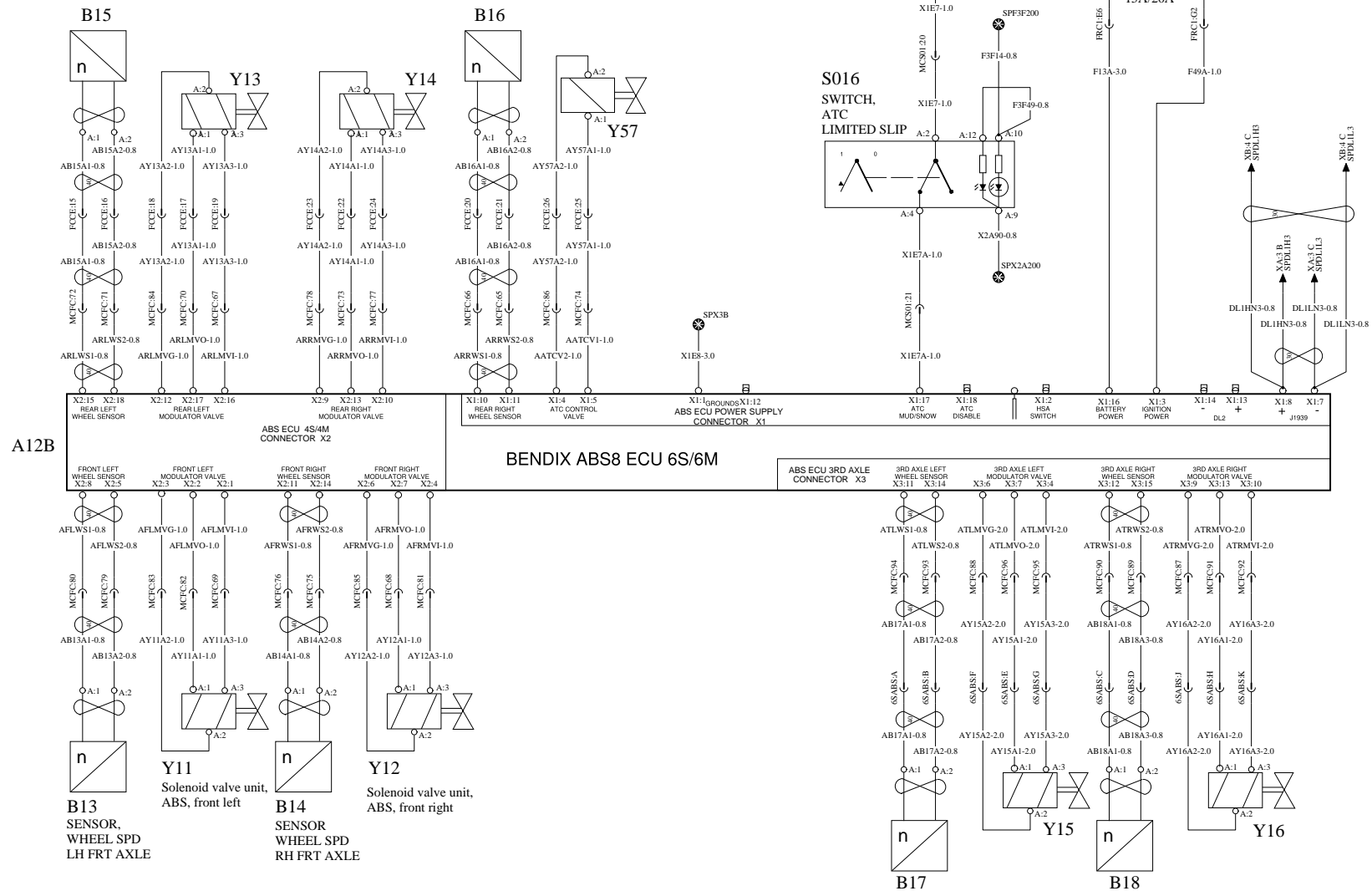
BATT
IGN
EMS
ILLUM



ABS BENDIX 8

WIRING DIAGRAM: EC

BATT
IGN
EMS
ILLUM



Document title
WIRING DIAGRAM - TYPE-OL-LR 2019_OL-01

Document type
PRODUCT SCHEMATIC

Document No
23456108

Issue
02

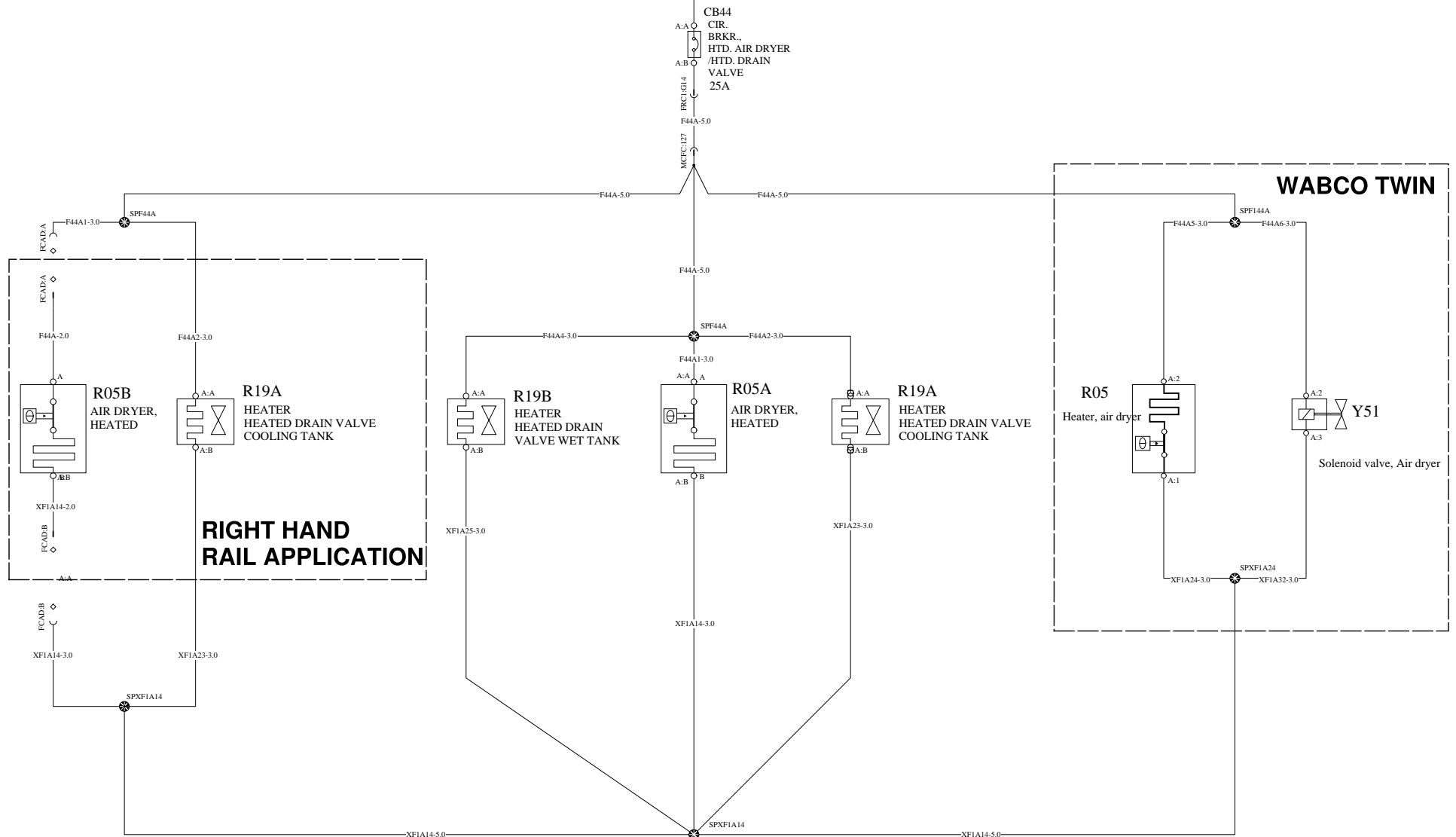
Volume
1 (2)

Page
31 (57)

AIR DRYER/HEATED DRAIN

WIRING DIAGRAM: FA

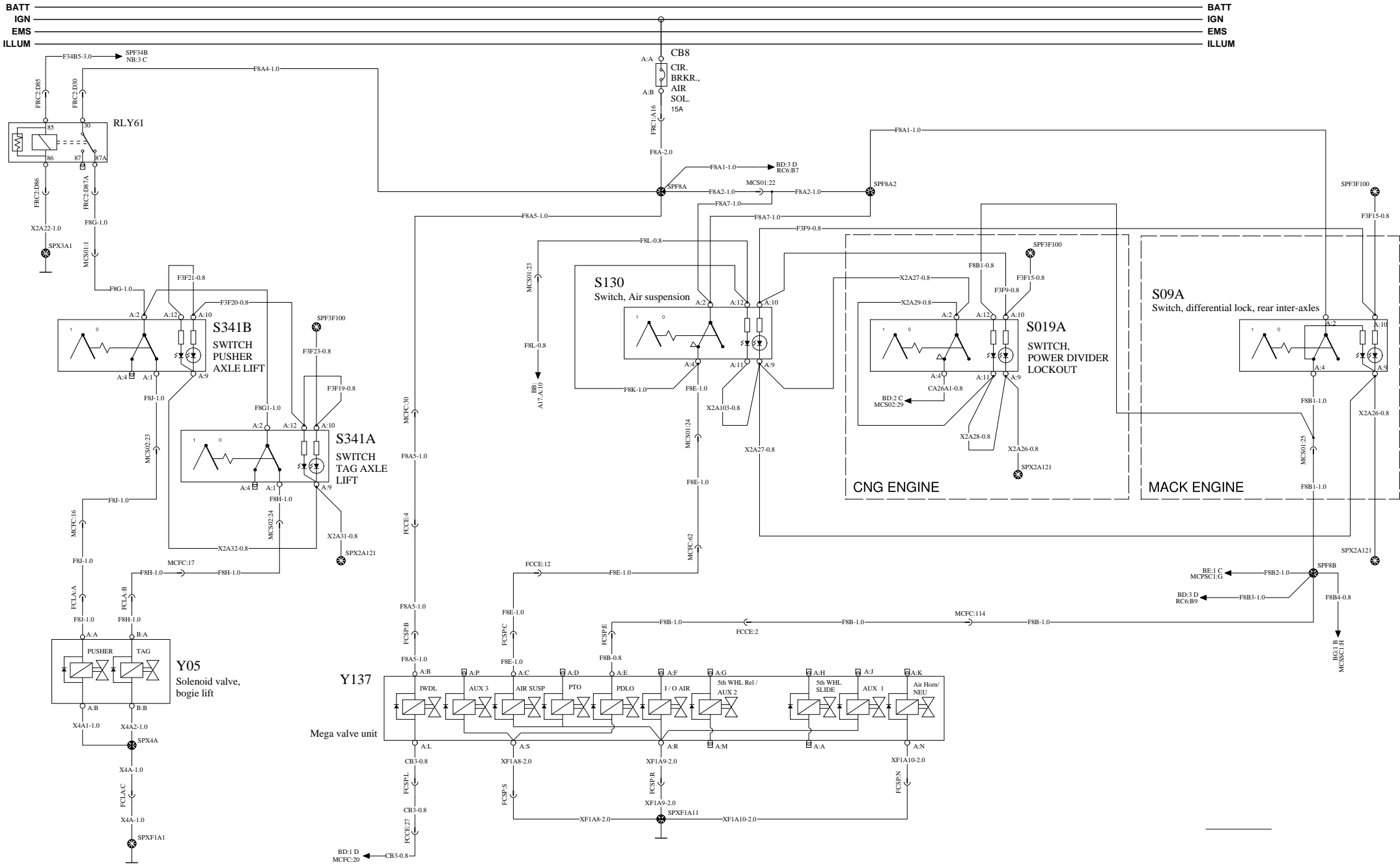
BATT
IGN
EMS
ILLUM



**Air Dryer, Cooling Tank
Heated Drain Valve, and
Wet Tank Heated Drain Valve**

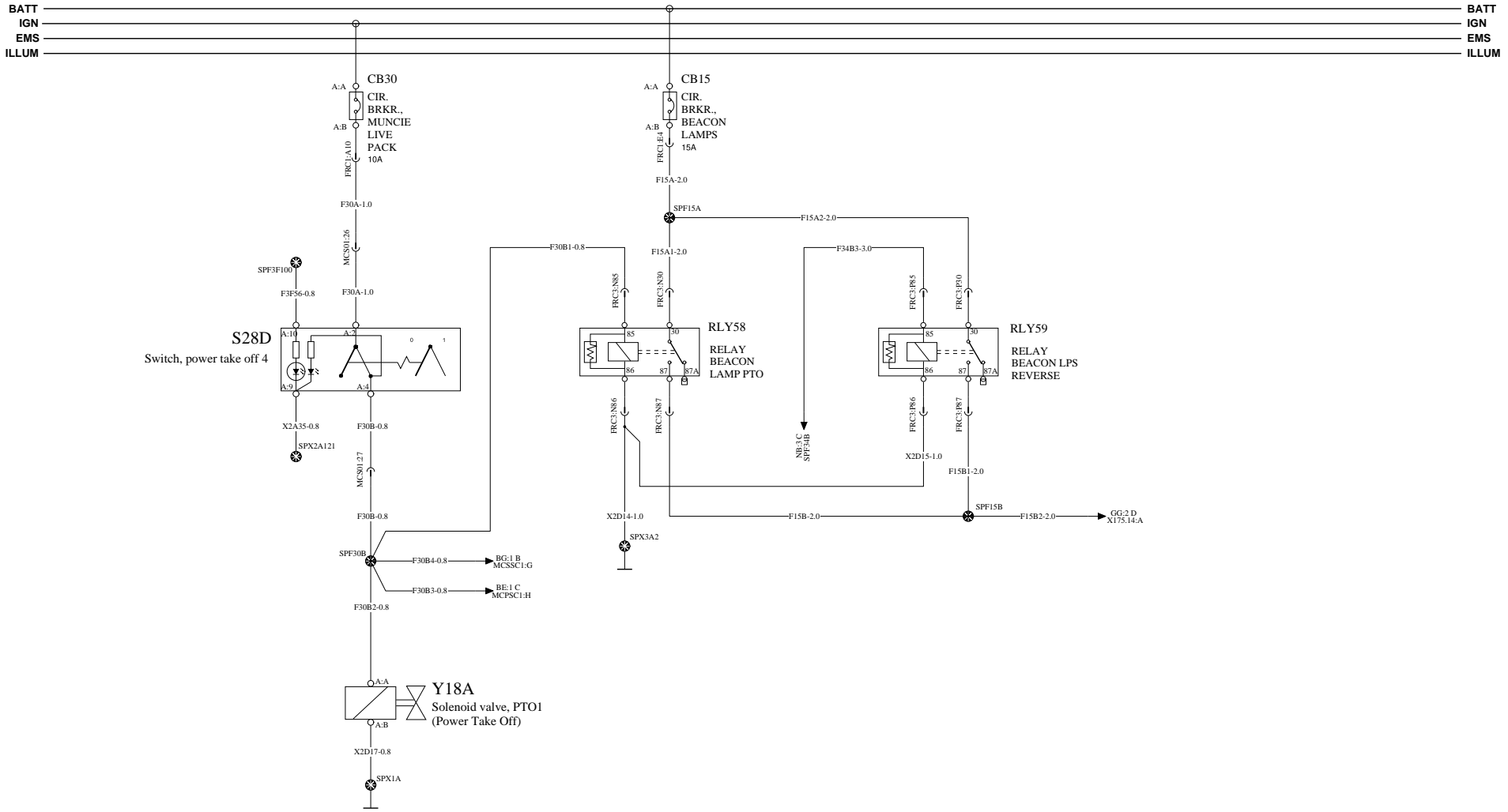
CHASSIS SOLENOIDS

WIRING DIAGRAM: FB



MUNCIE PUMP, BEACON LAMPS & WORKBRAKE SOLENOID

WIRING DIAGRAM: FC

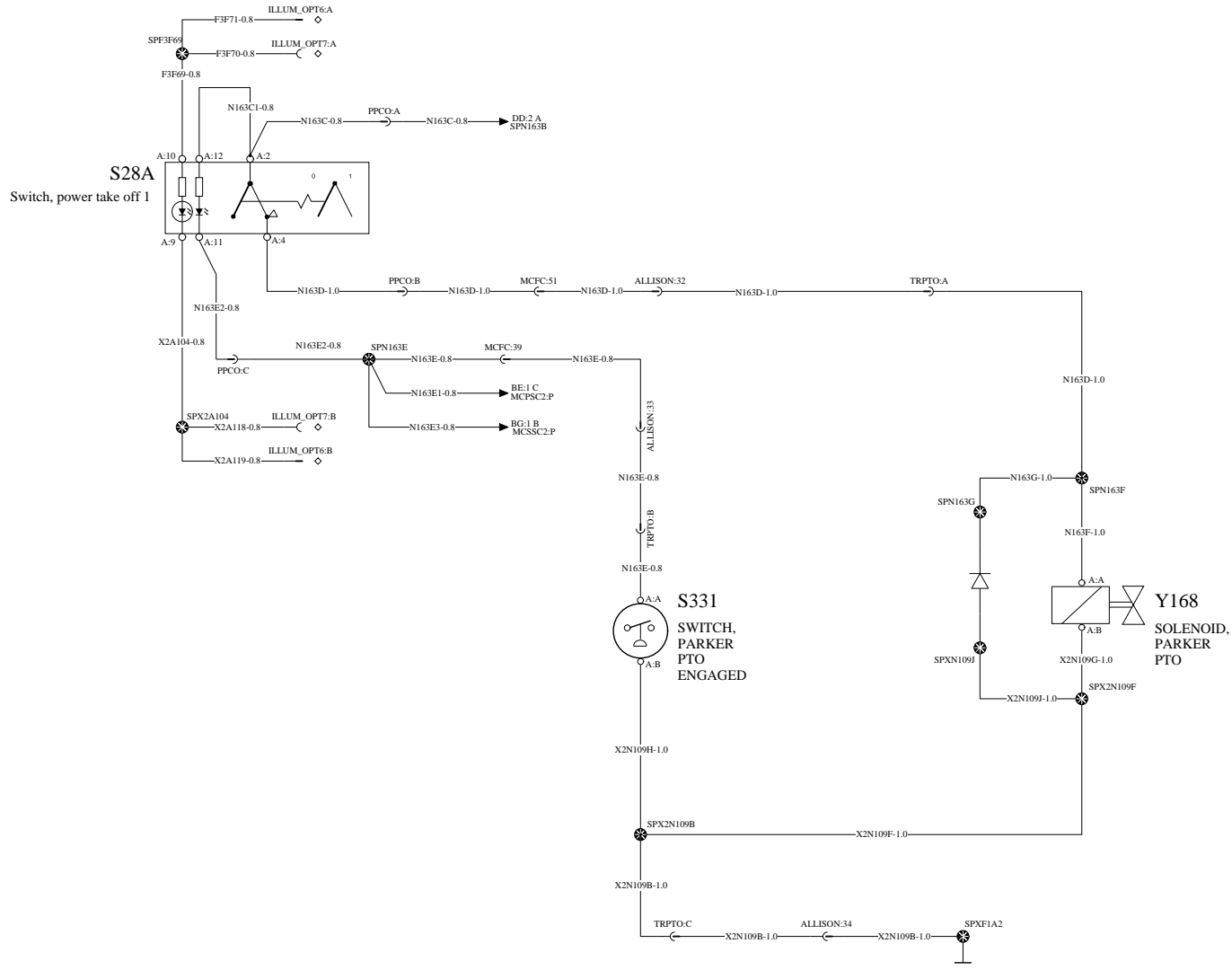


PARKER PTO

WIRING DIAGRAM: FD

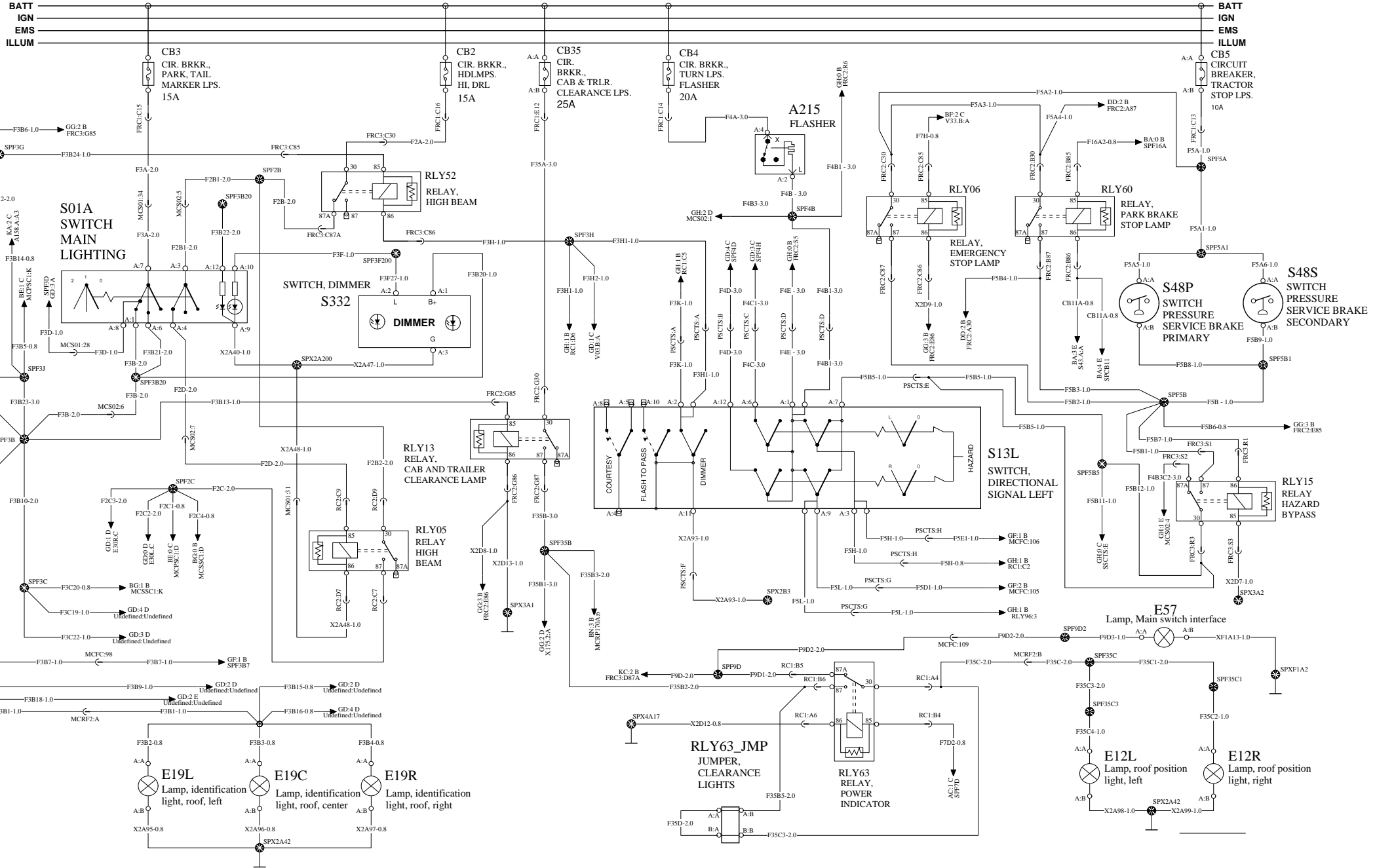
BATT
IGN
EMS
ILLUM

BATT
IGN
EMS
ILLUM



LIGHTING - CONTROLS

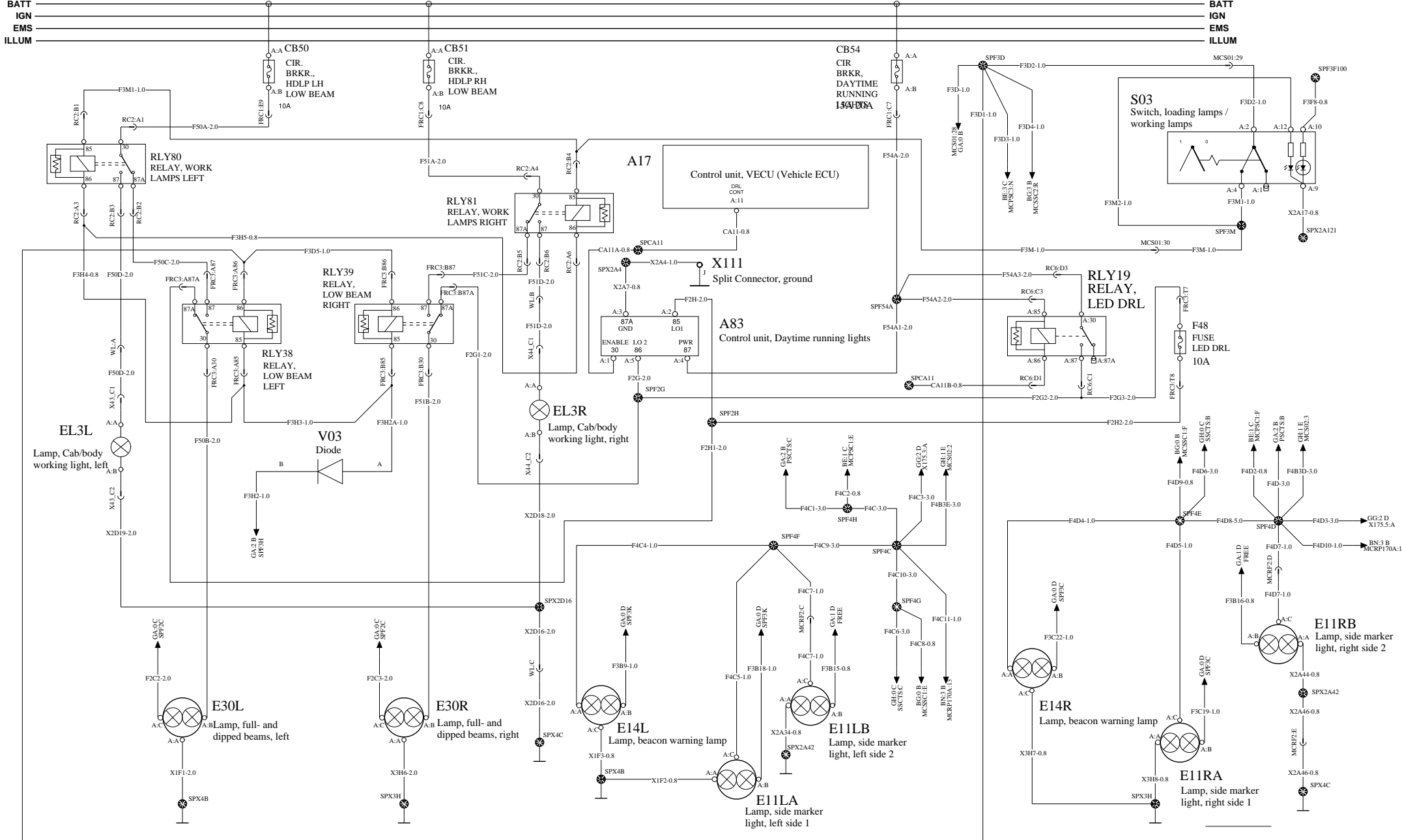
WIRING DIAGRAM: GA



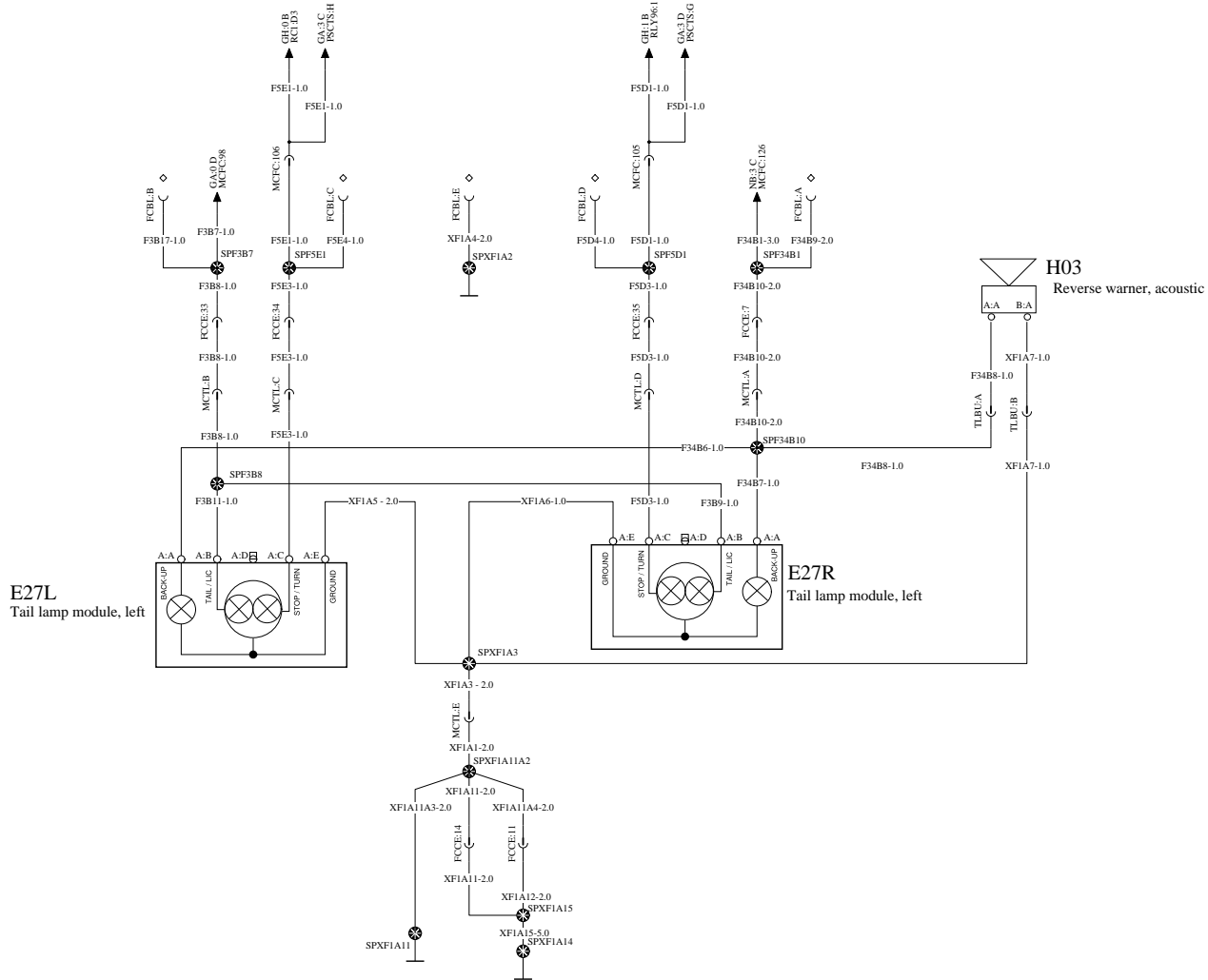
	Document title	Document No	Issue	Volume	Page
	WIRING DIAGRAM - TYPE-OL-LR 2019_OL-01	23456108	02	1 (2)	36 (57)
	Document type				
	PRODUCT SCHEMATIC				

LIGHTING - FORWARD/SIGNAL

WIRING DIAGRAM: GD

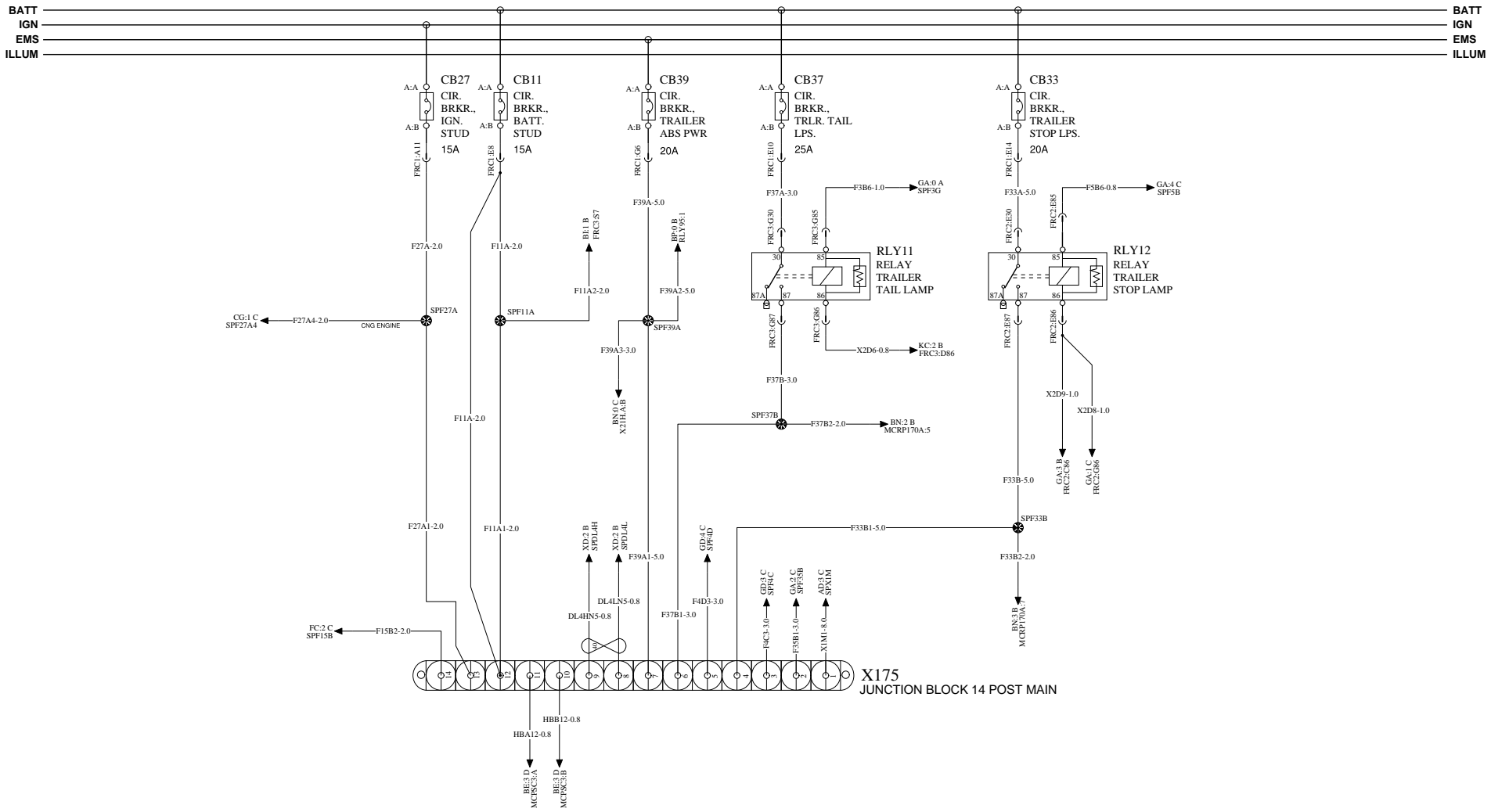


BATT	_____	BATT
IGN	_____	IGN
EMS	_____	EMS
ILLUM	_____	ILLUM



LIGHTING - TRAILER CONTROL

WIRING DIAGRAM: GG

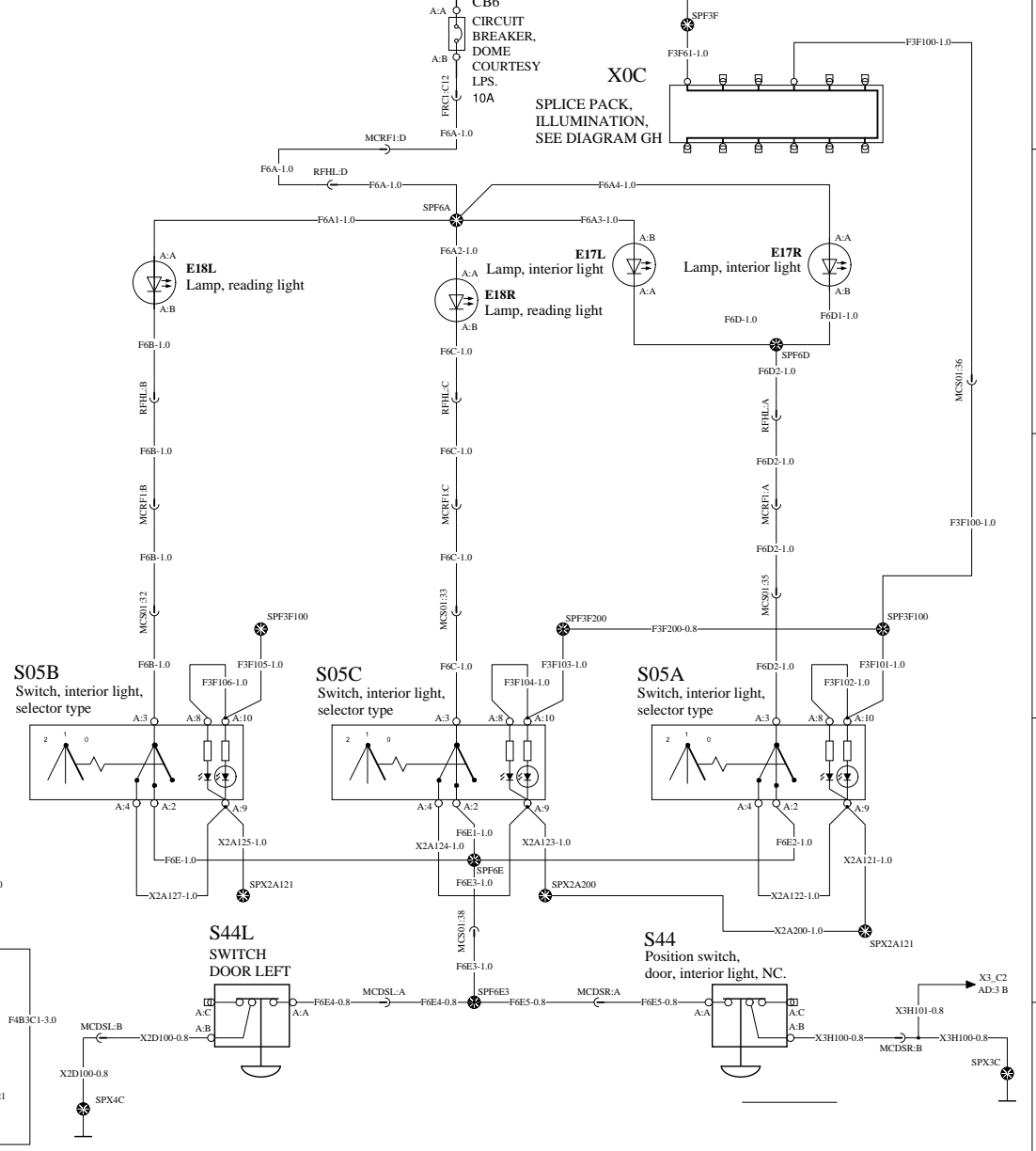
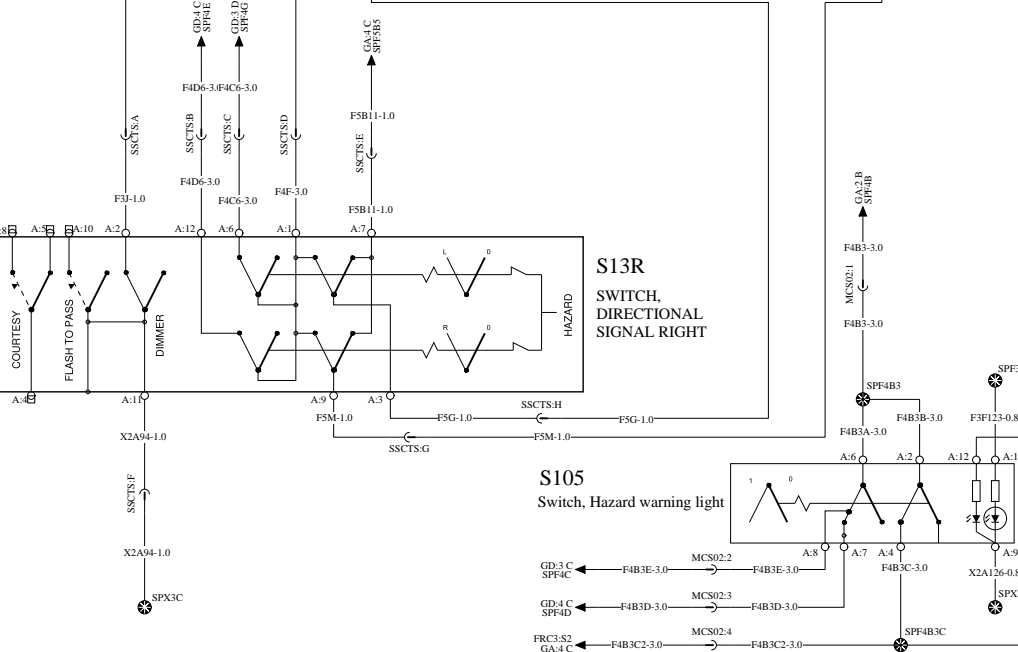
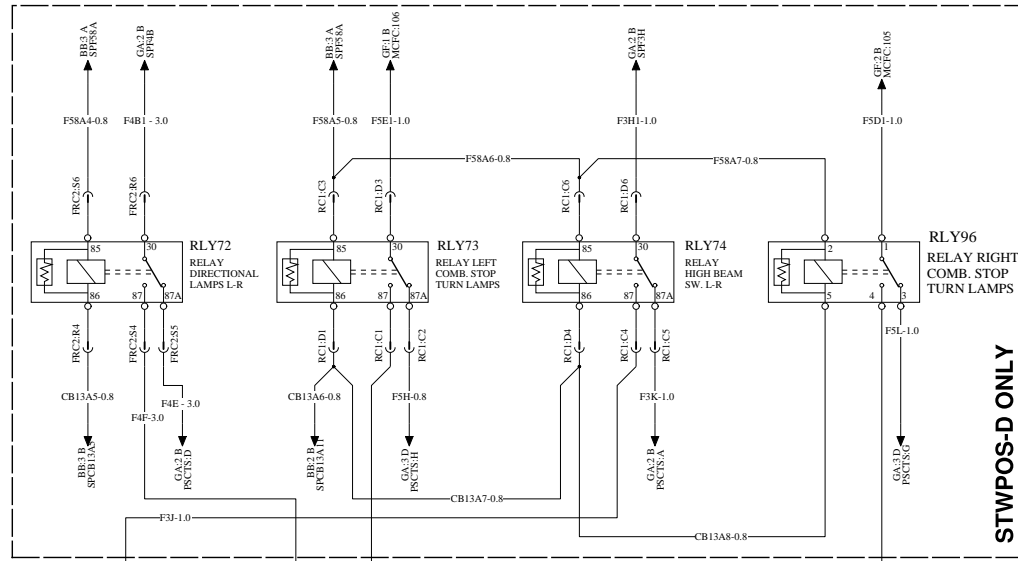


LIGHTING - LH/RH CONTROL & INTERIOR

WIRING DIAGRAM: GH

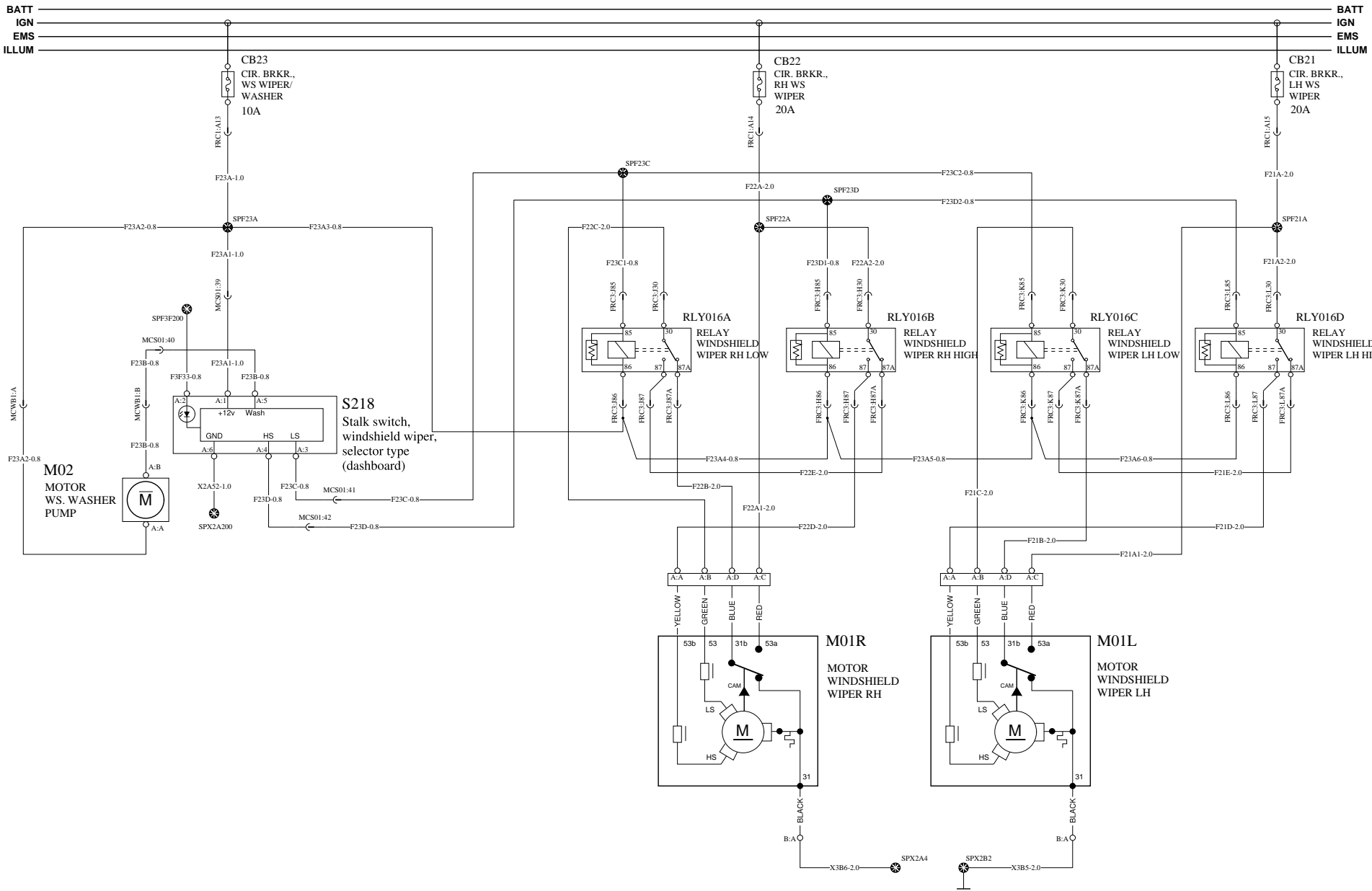
BATT
IGN
EMS
ILLUM

BATT
IGN
EMS
ILLUM



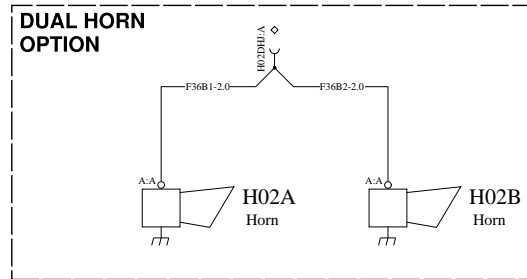
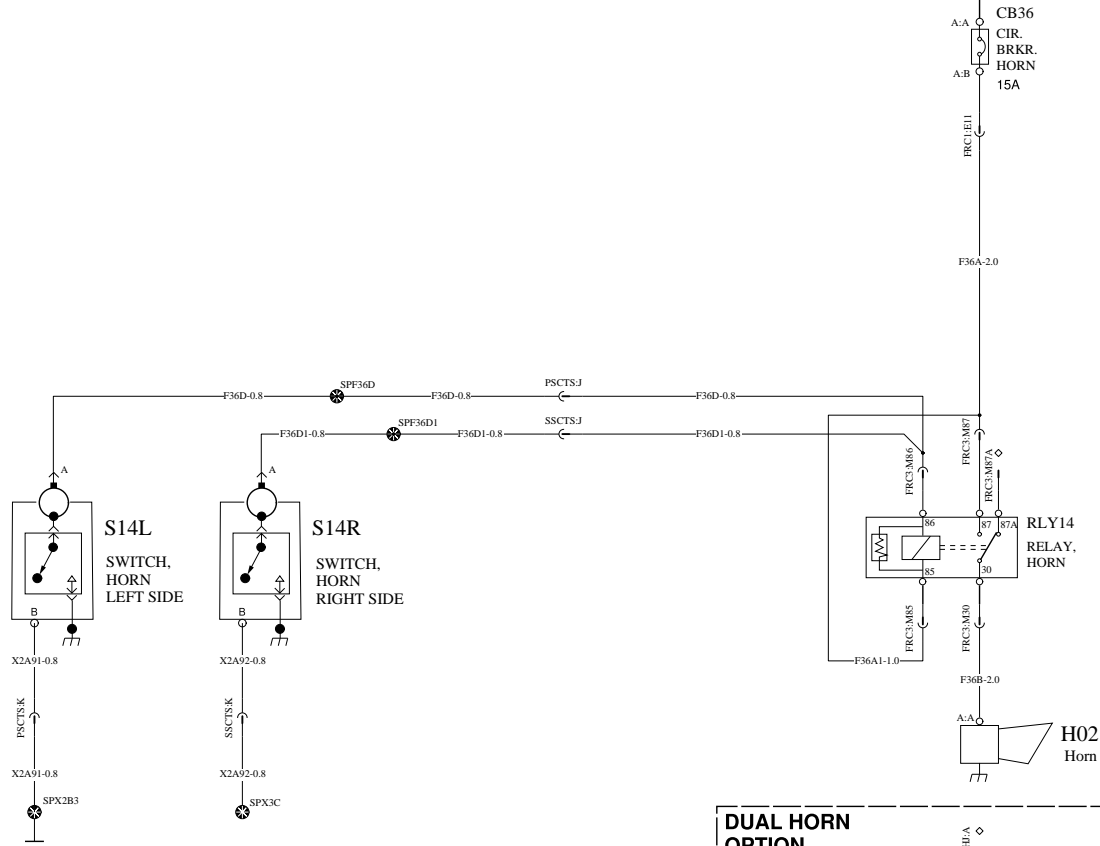
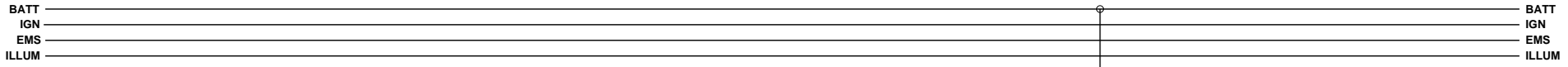
WINDSHIELD WASHER

WIRING DIAGRAM: GP



HORN WIRING

WIRING DIAGRAM: GQ

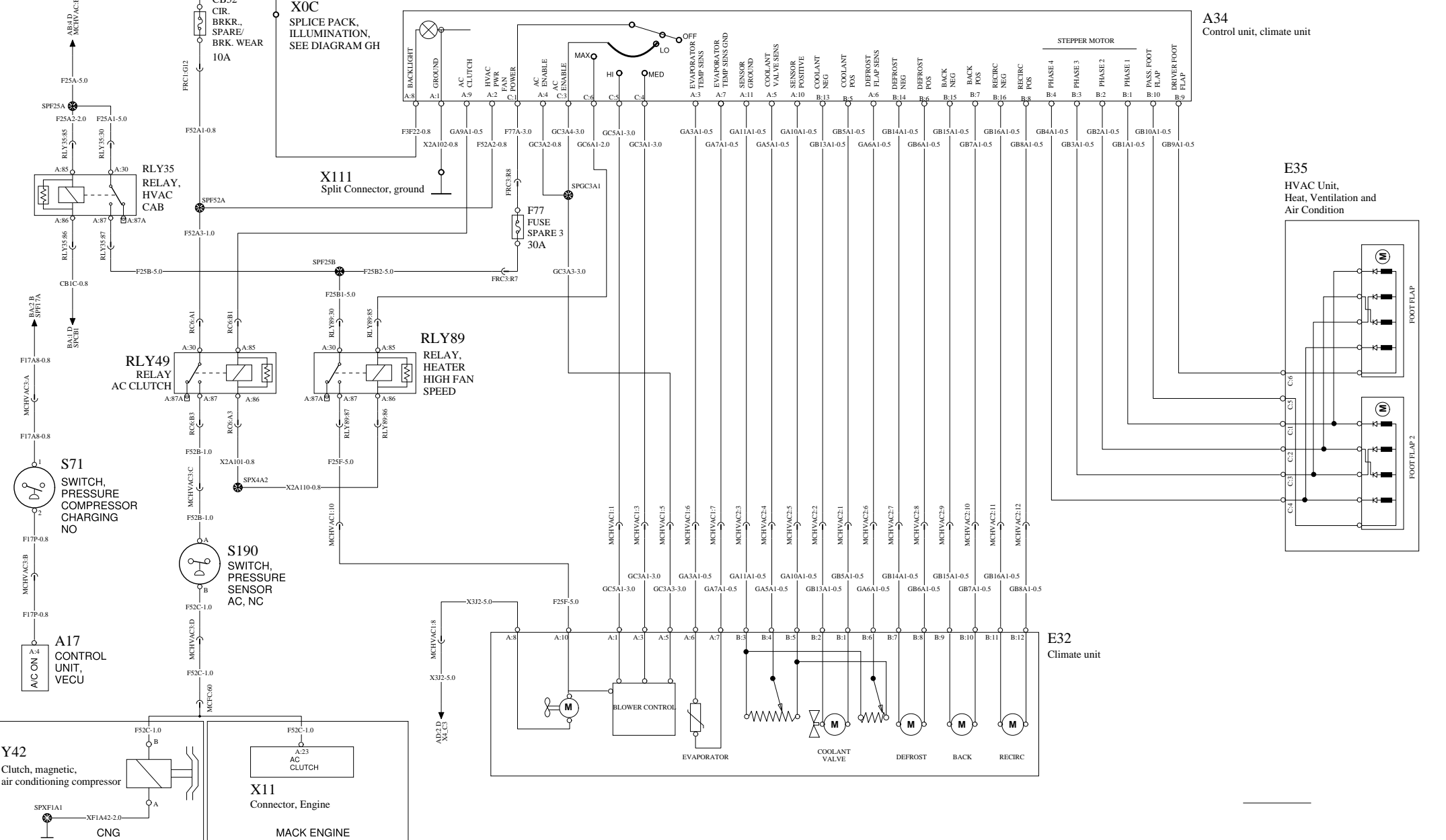


CLIMATE CONTROL

WIRING DIAGRAM: HA

BATT
IGN
EMS
ILLUM

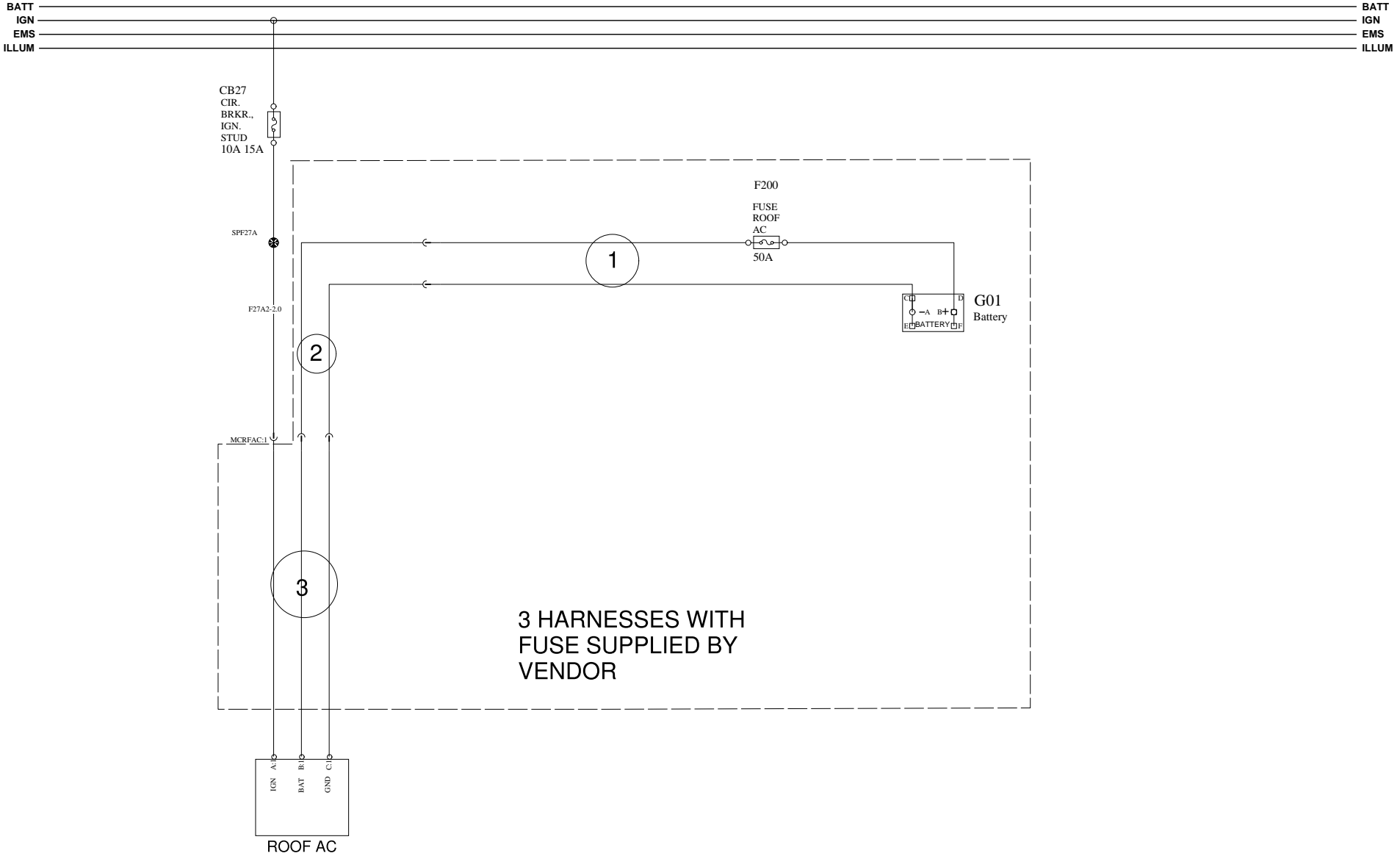
BATT
IGN
EMS
ILLUM



	Document title WIRING DIAGRAM - TYPE-OL-LR 2019_OL-01	Document No 23456108	Issue 02	Volume 1 (2)	Page 43 (57)
	Document type PRODUCT SCHEMATIC				

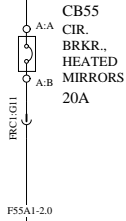
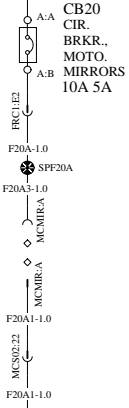
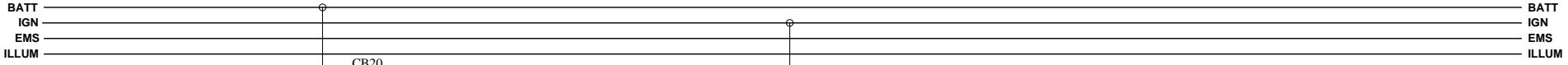
CLIMATE CONTROL ROOF AC

WIRING DIAGRAM: HB

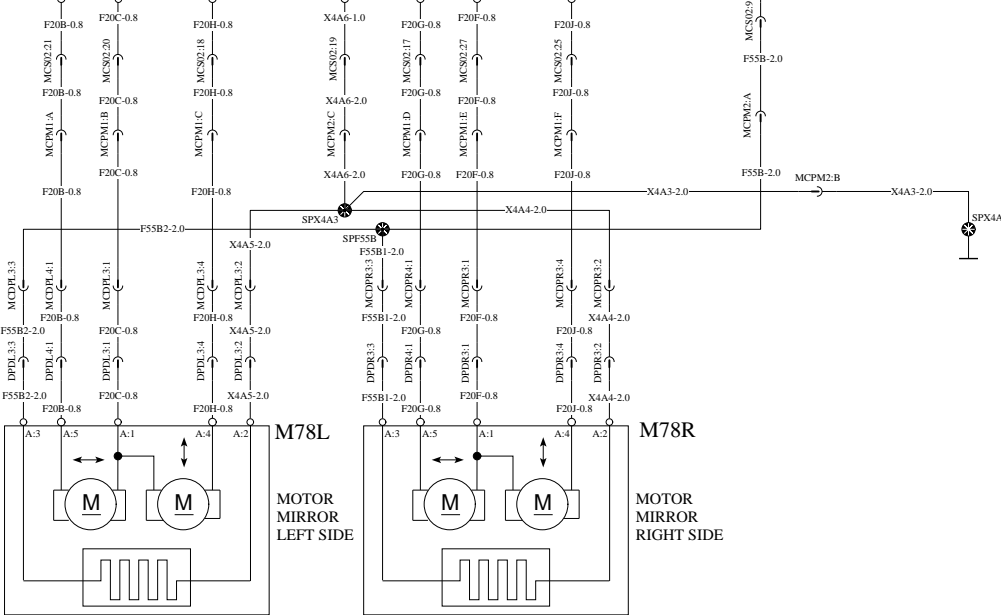
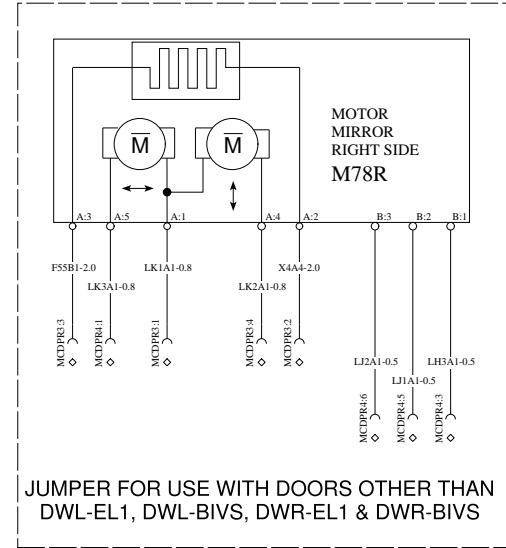
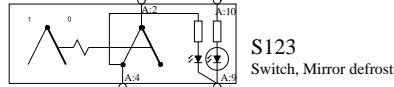
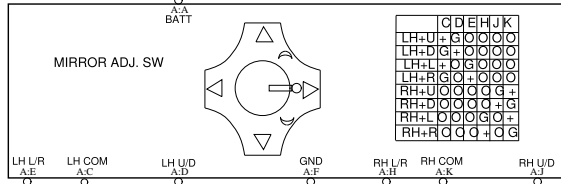


MIRRORS DUAL REMOTE

WIRING DIAGRAM: IC

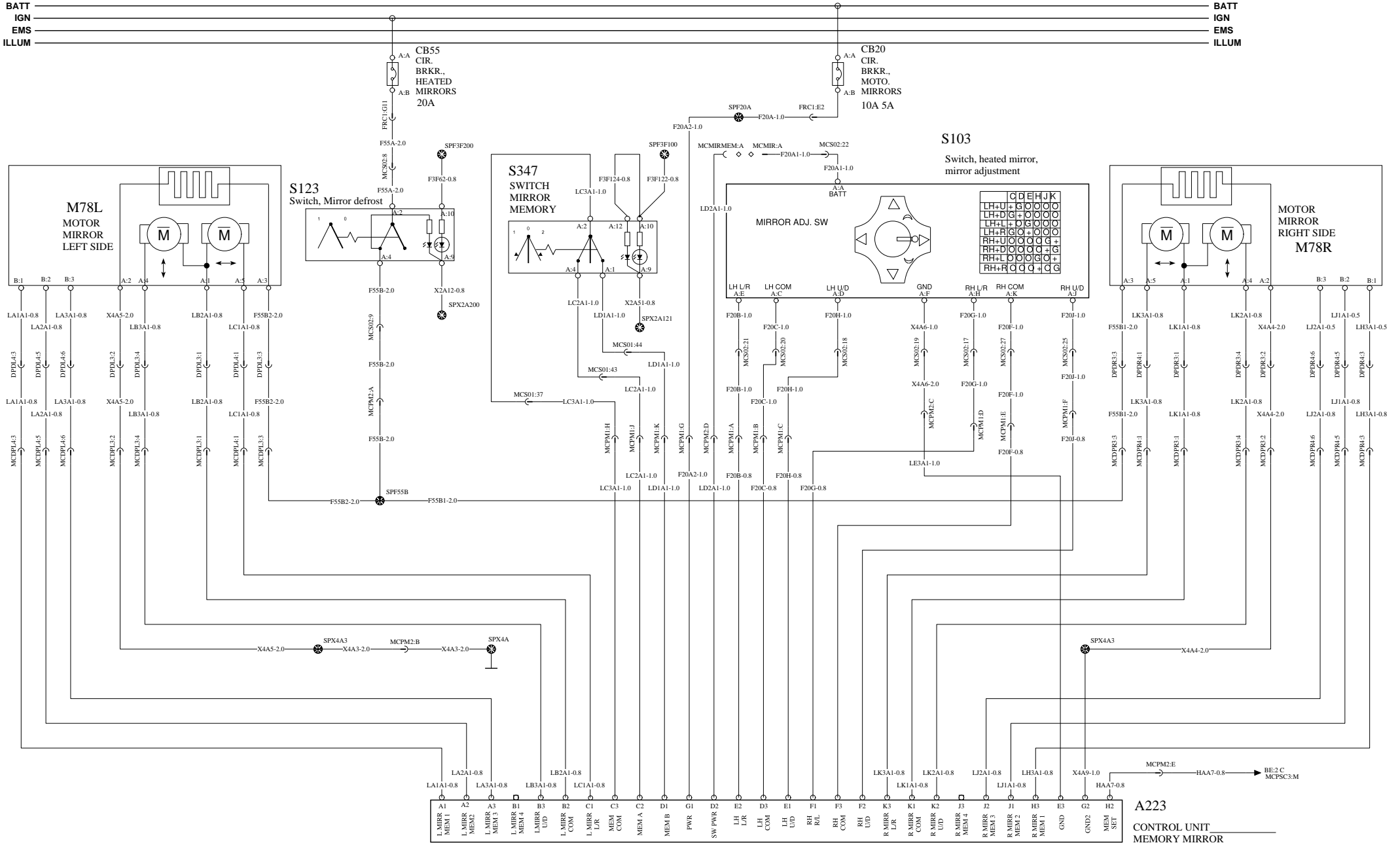


S103
Switch, heated mirror,
mirror adjustment



MIRRORS DUAL REMOTE MEMORY

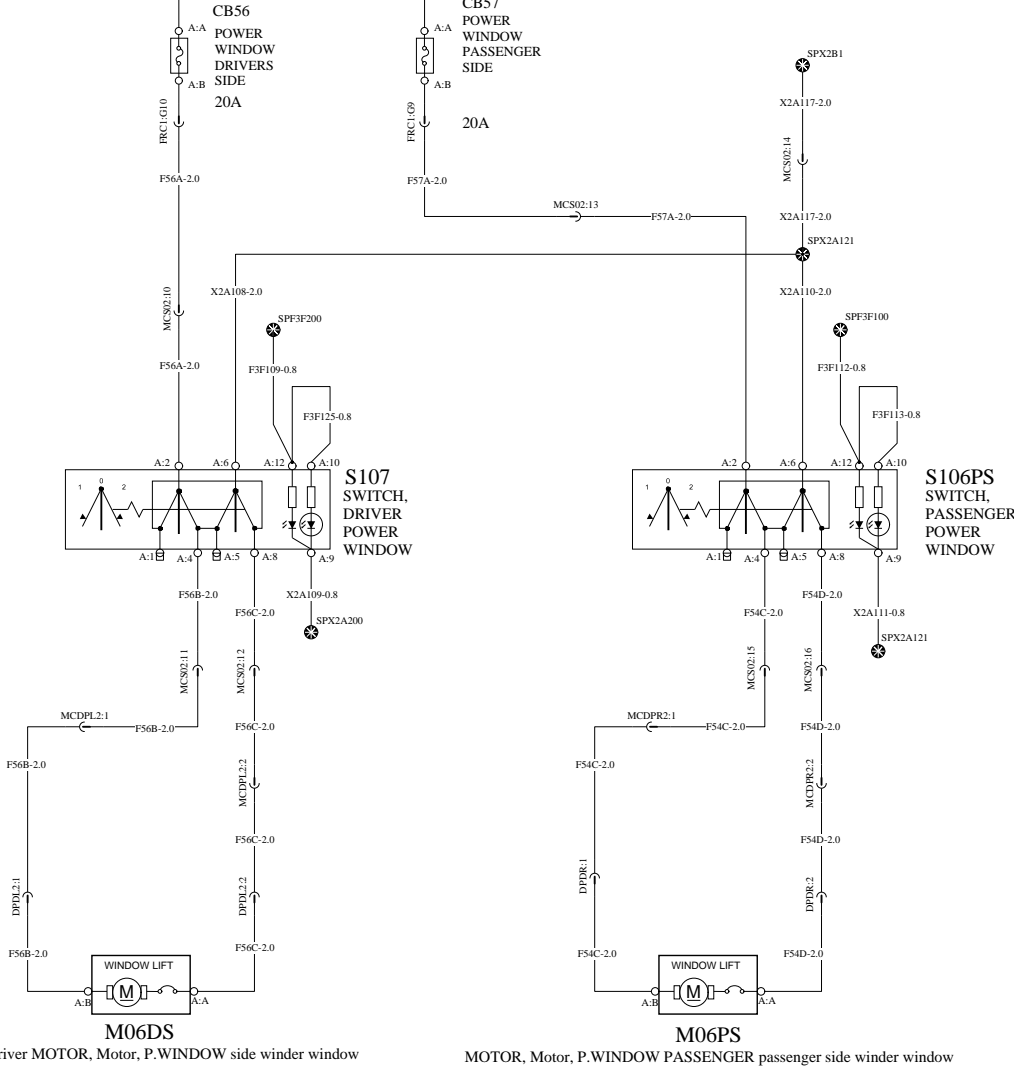
WIRING DIAGRAM: ID



POWER WINDOWS

WIRING DIAGRAM: IE

BATT
IGN
EMS
ILLUM

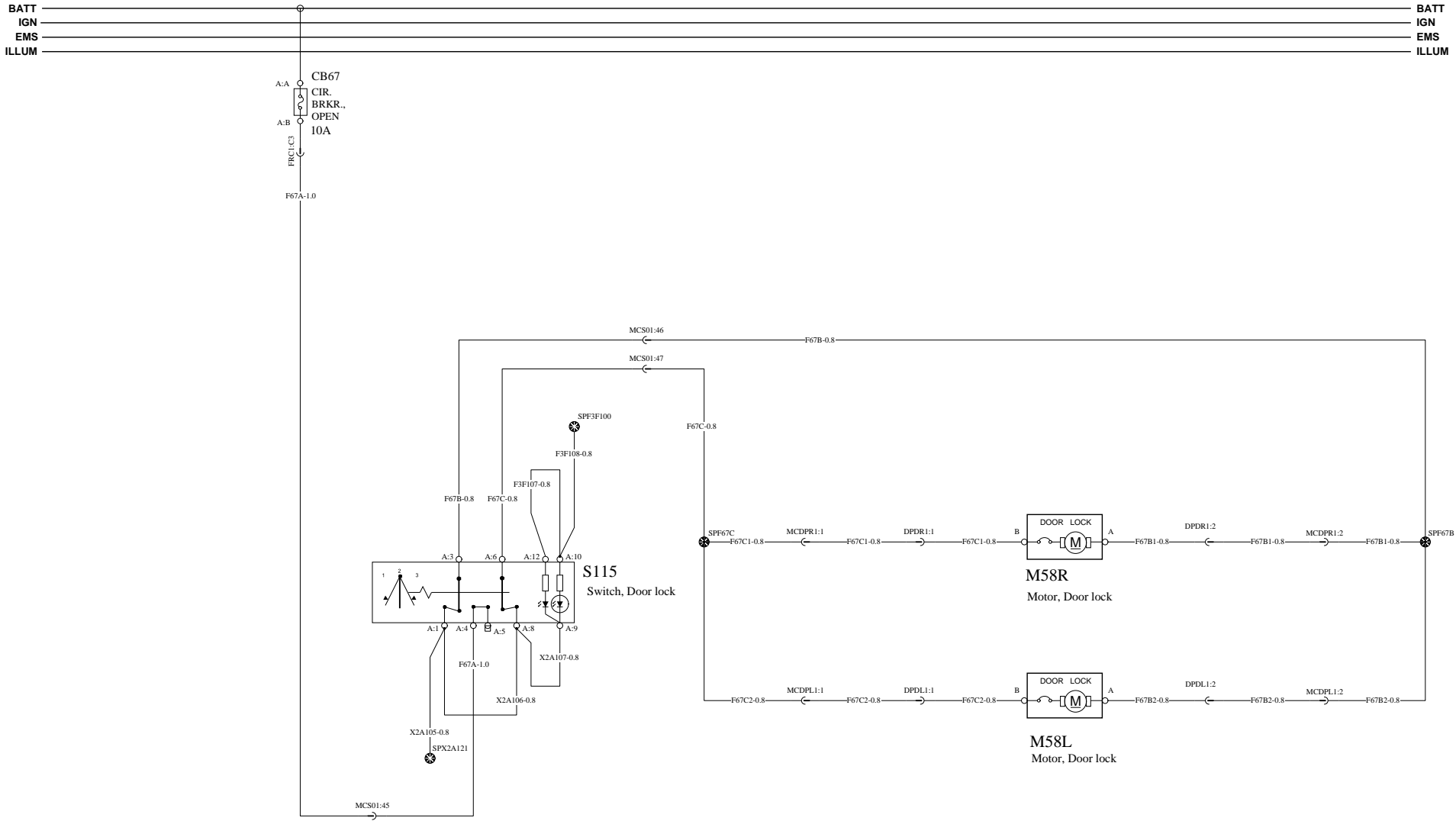


M06DS
DRIVER driver MOTOR, Motor, P.WINDOW side winder window

M06PS
MOTOR, Motor, P.WINDOW PASSENGER passenger side winder window

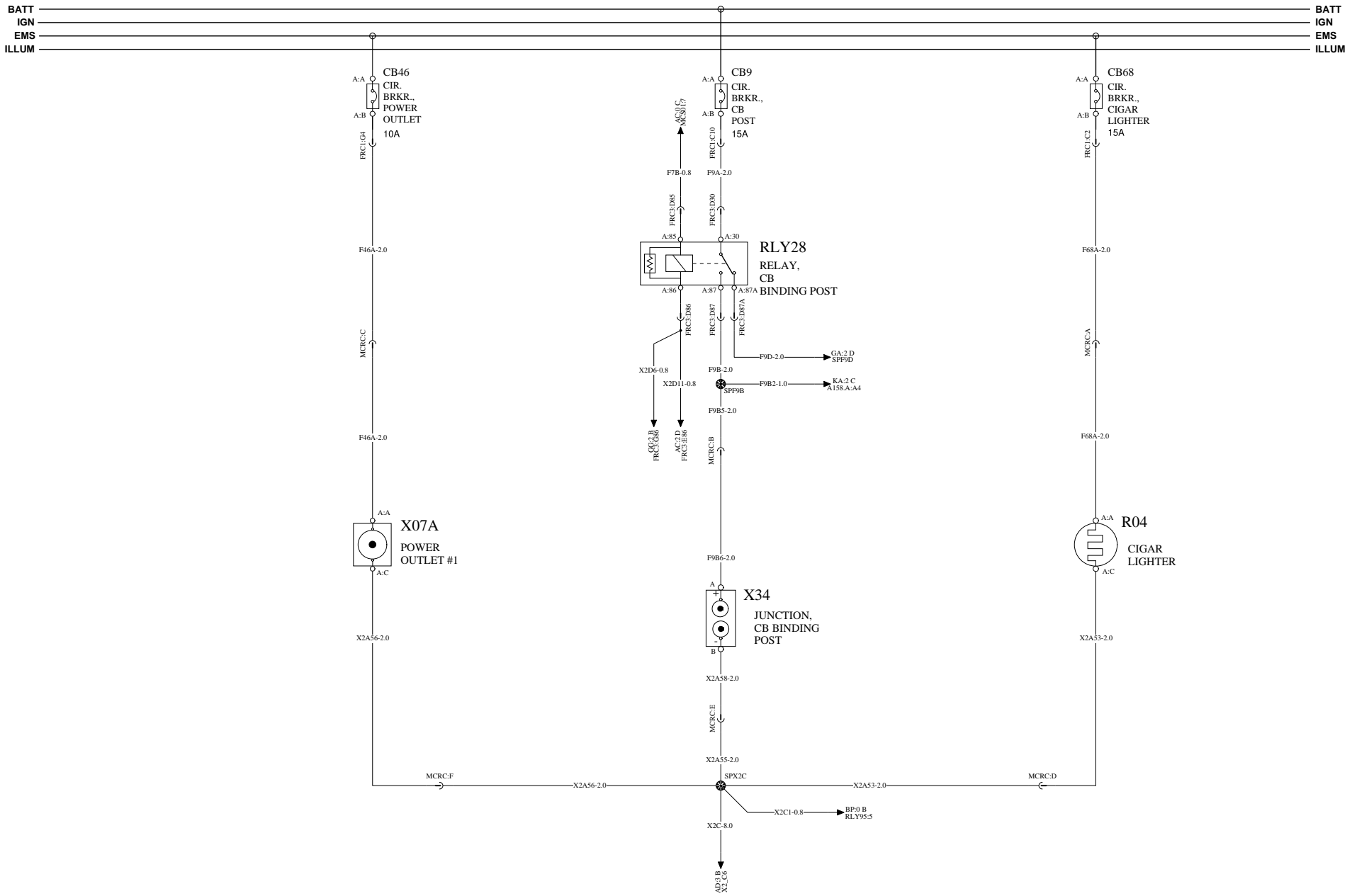
POWER DOOR LOCKS

WIRING DIAGRAM: IF



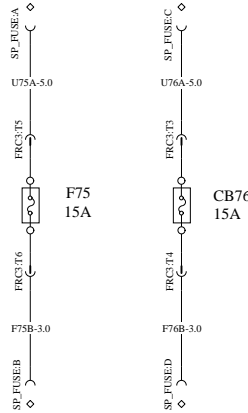
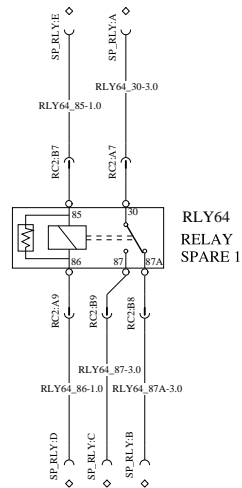
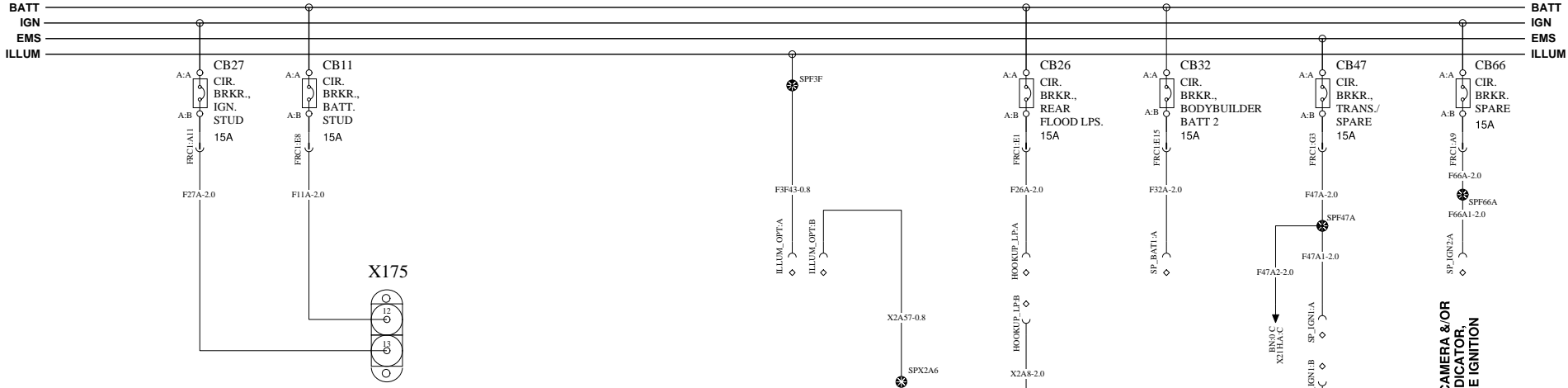
POWER OUTLET CONNECTIONS

WIRING DIAGRAM: KC



SPARE CONNECTIONS AND FEEDS

WIRING DIAGRAM: NA



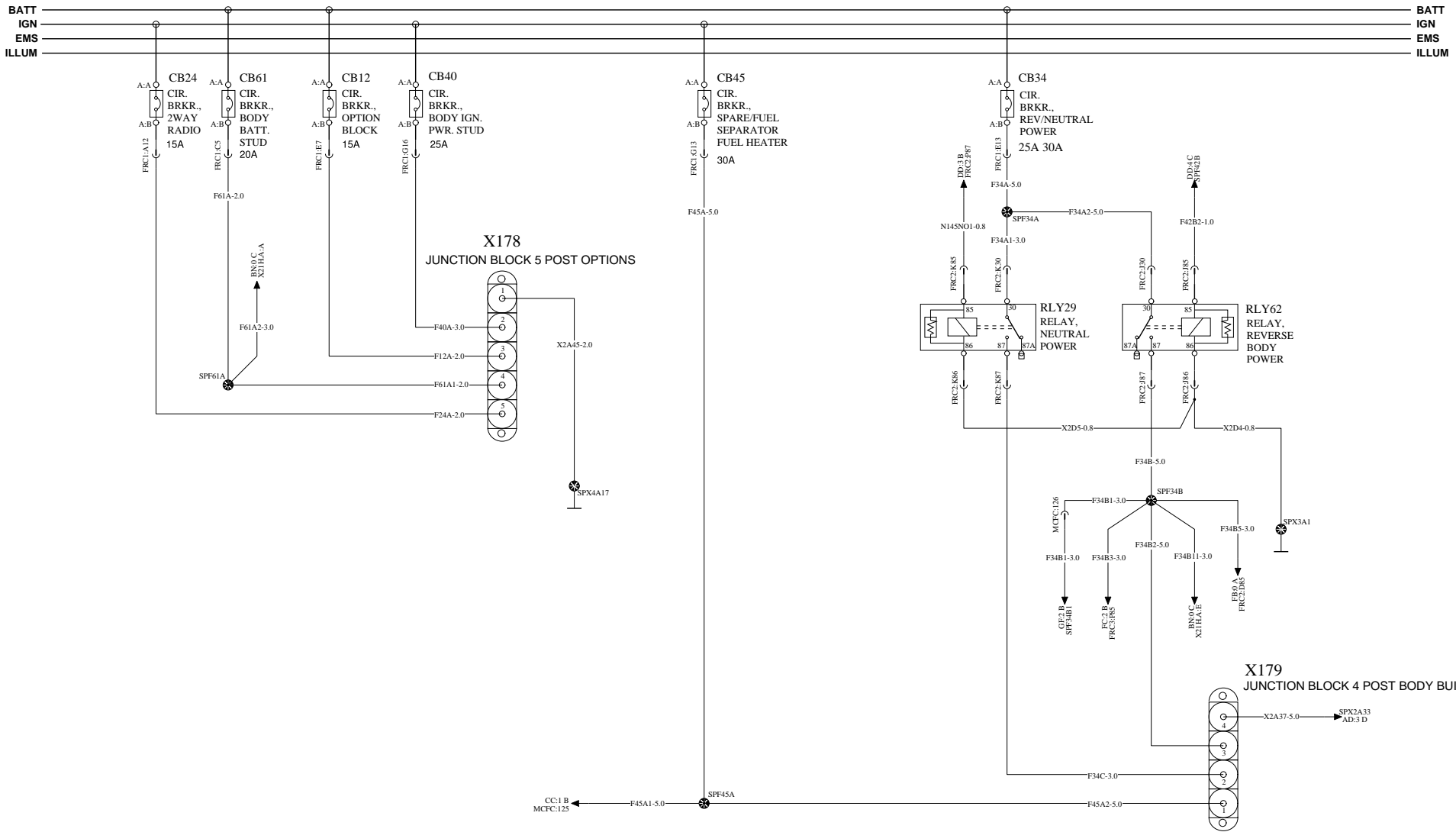
OPTIONAL HOOK-UP LAMPS,
OR SPARE BATTERY

OPTIONAL TRANS. OR
AUX. FAN

W/O CAMERA & OR
BB INDICATOR,
SPARE IGNITION

JUNCTION POSTS

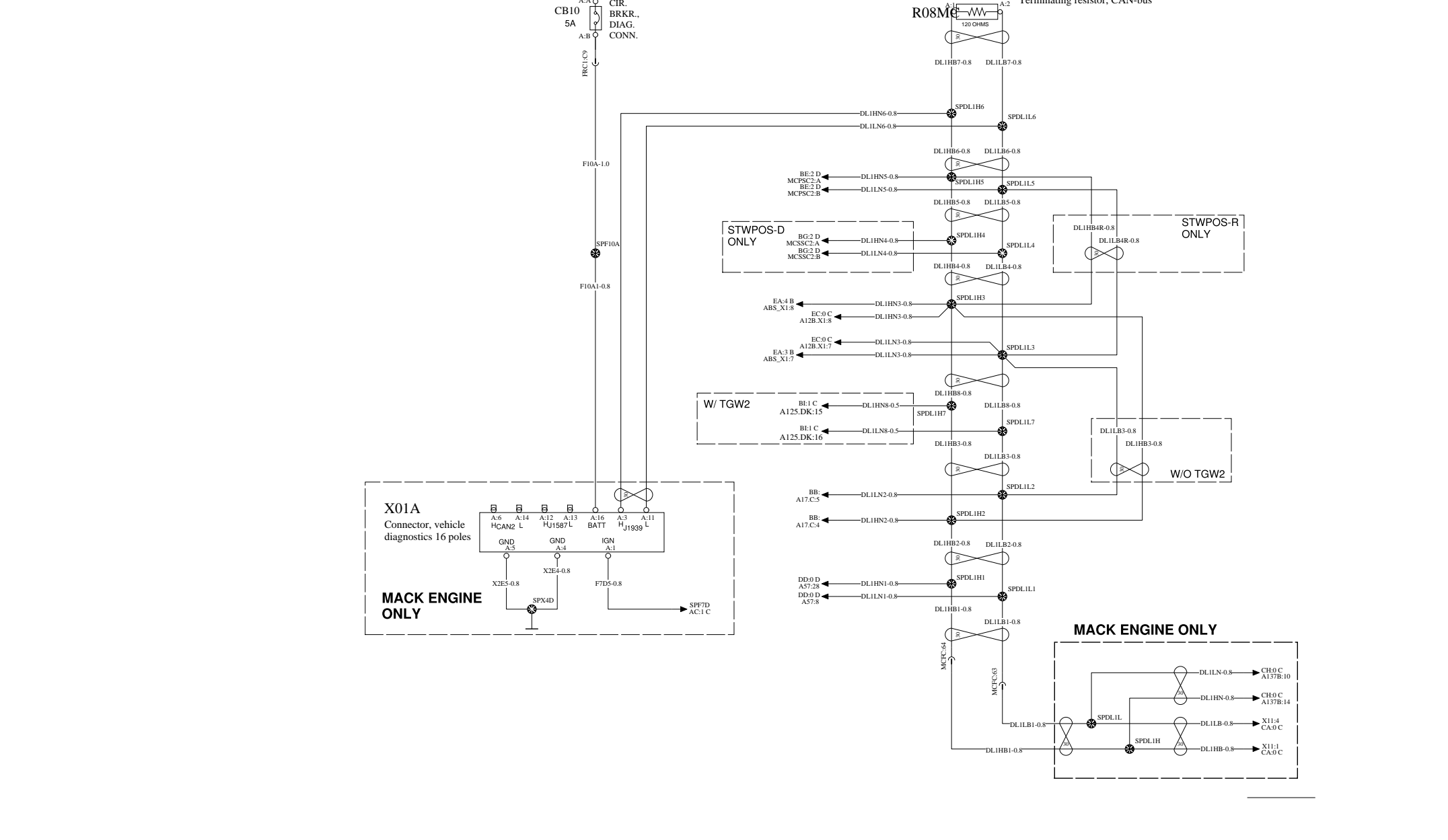
WIRING DIAGRAM: NB



OBD - DATA LINK 1 & DIAGNOSTICS - MACK ENGINE

WIRING DIAGRAM: XA

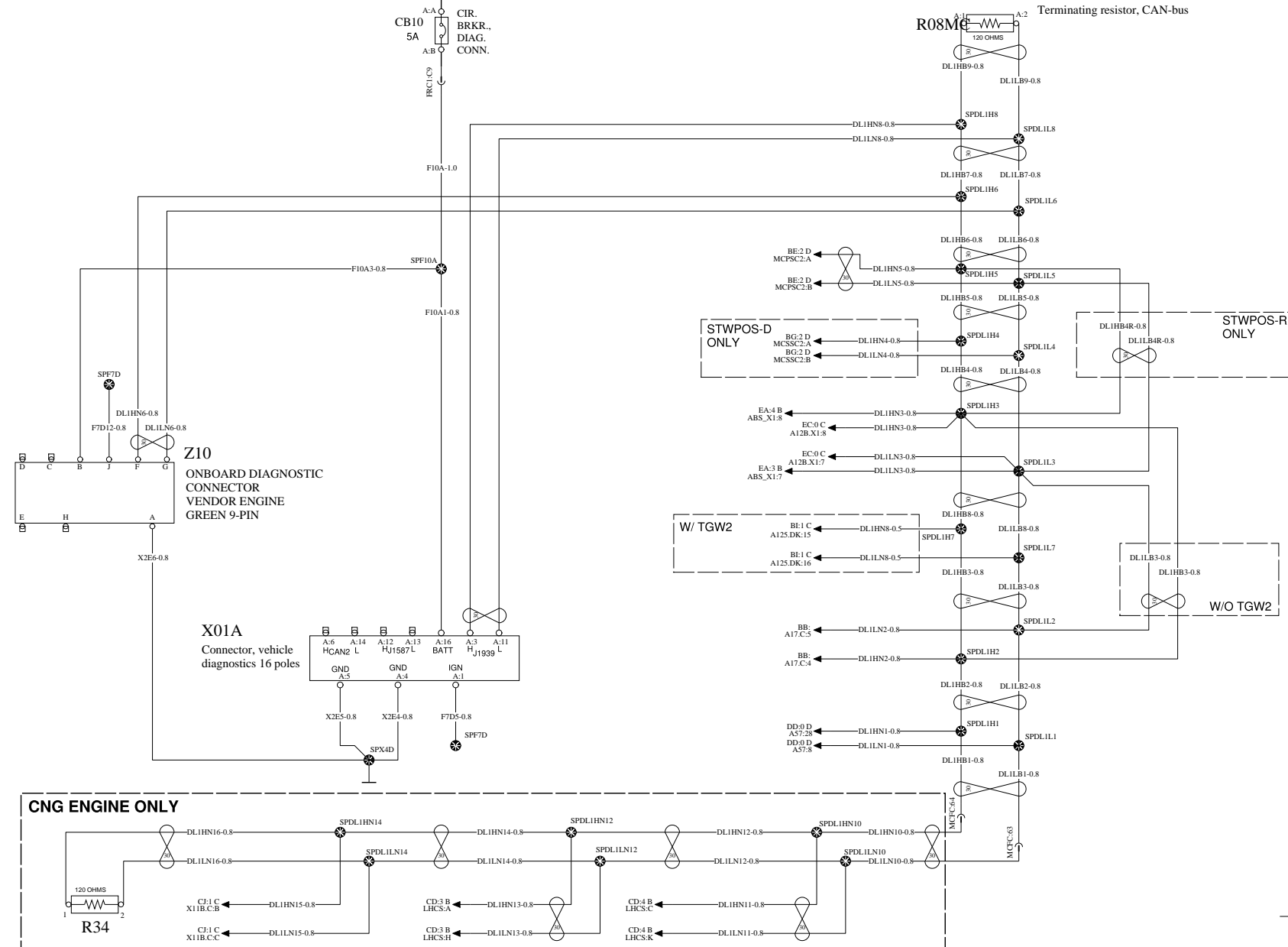
BATT
IGN
EMS
ILLUM



OBD - DATA LINK 1 & DIAGNOSTICS - 2018 CNG

WIRING DIAGRAM: XB

BATT
IGN
EMS
ILLUM



	Document title	Document No	Issue	Volume	Page
	WIRING DIAGRAM - TYPE-OL-LR 2019_OL-01	23456108	02	1 (2)	54 (57)
	Document type				
	PRODUCT SCHEMATIC				

OBID - DATA LINK 2

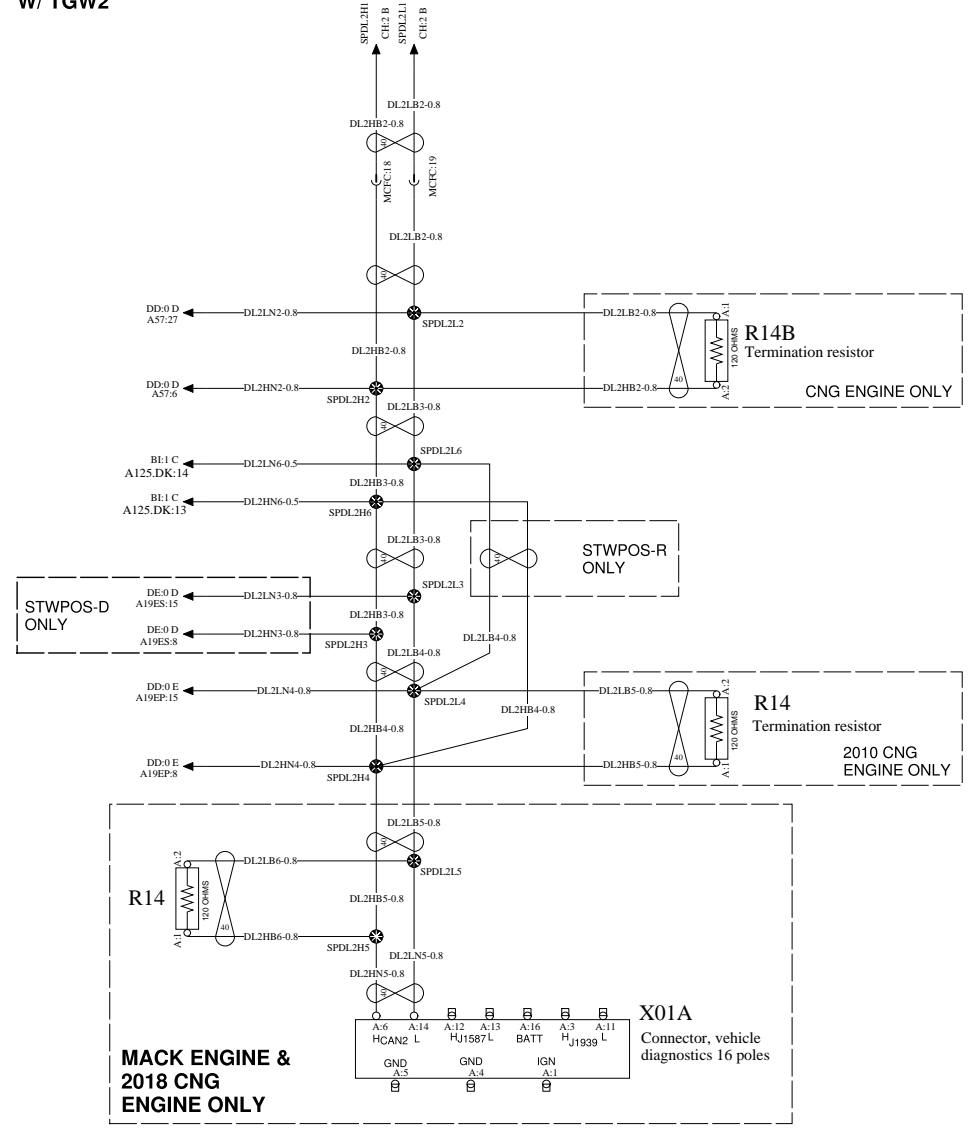
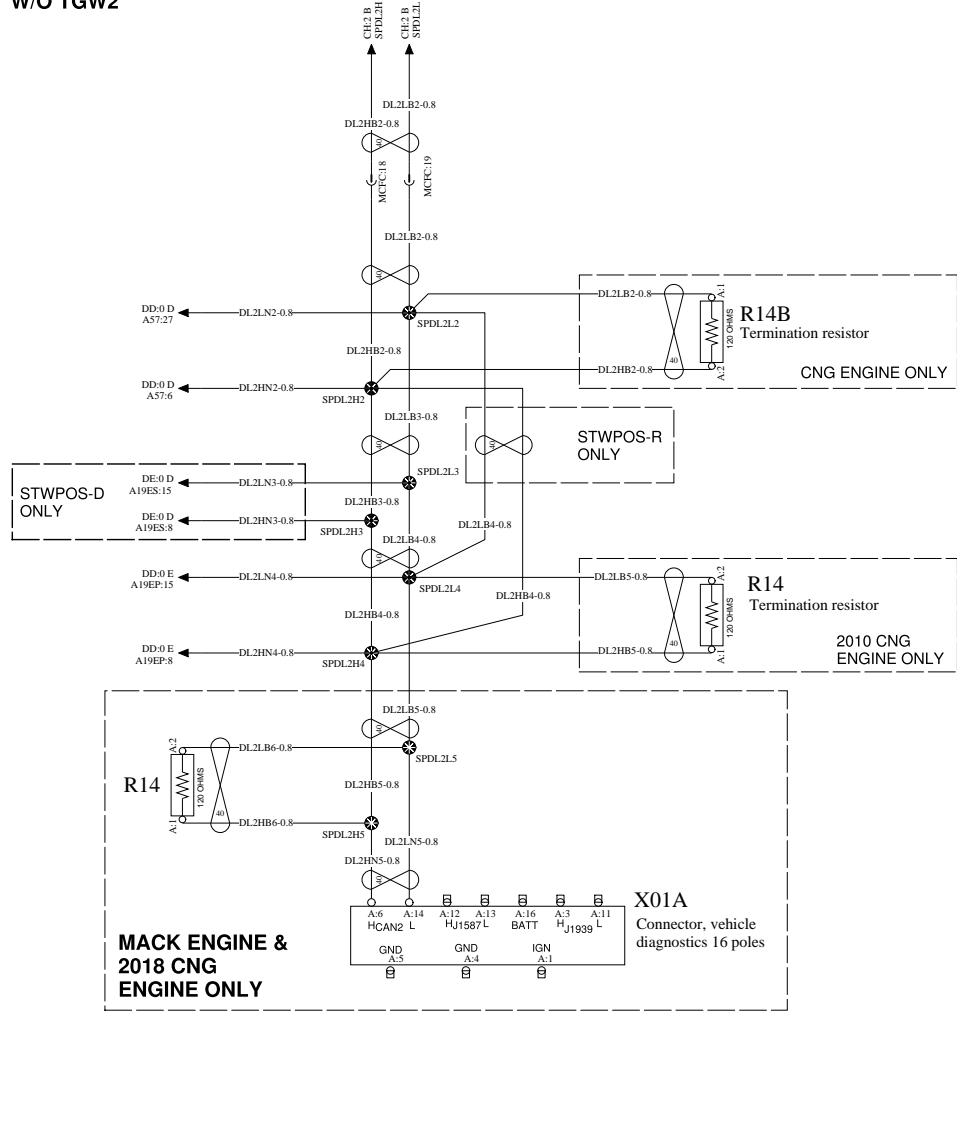
WIRING DIAGRAM: XC

BATT
IGN
EMS
ILLUM

BATT
IGN
EMS
ILLUM

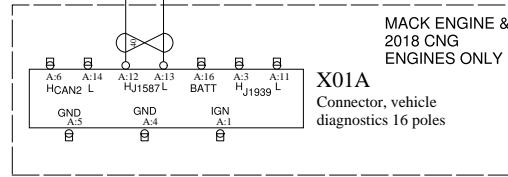
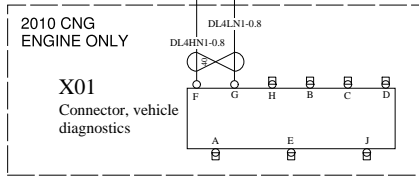
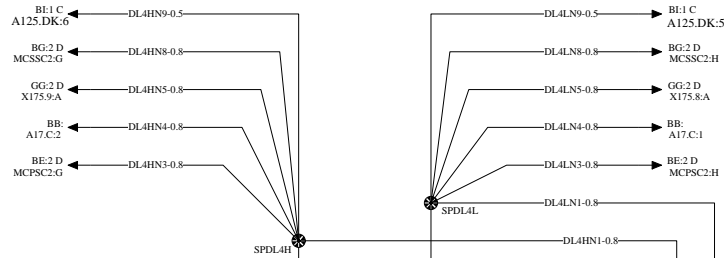
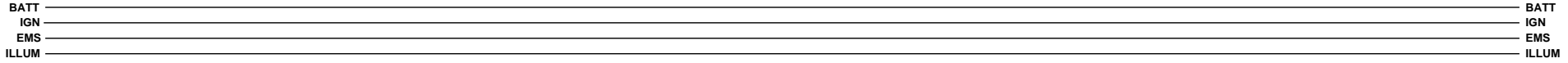
W/O TGW2

W/ TGW2

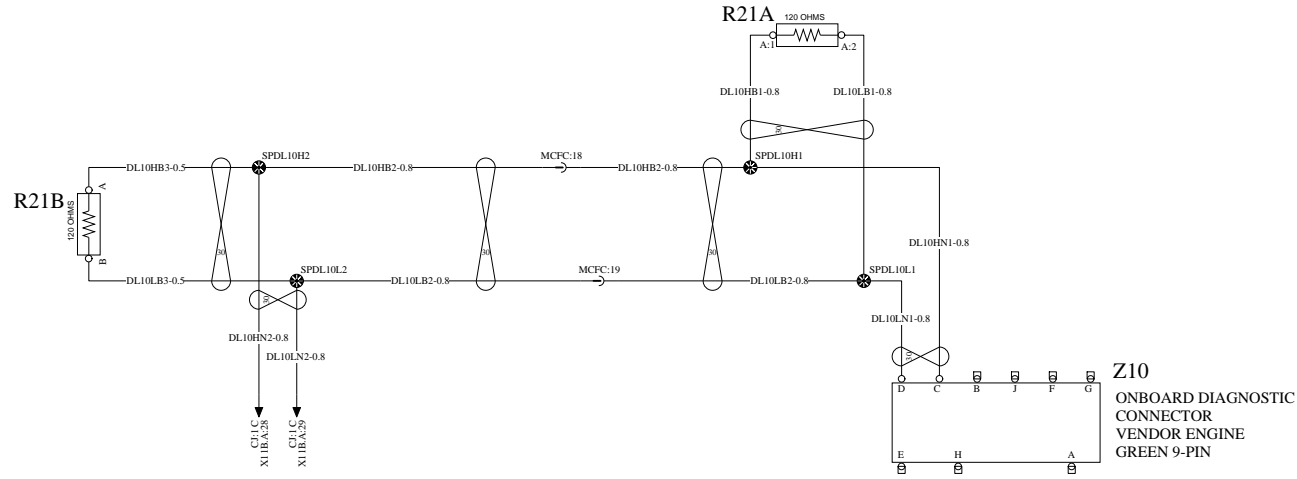


OBD - DATA LINK 4

WIRING DIAGRAM: XD



BATT _____ BATT
 IGN _____ IGN
 EMS _____ EMS
 ILLUM _____ ILLUM



0

1

2

3

4

BILL OF MATERIALS INDEX (VOL 2)

NAME	PAGE
GROUNDS	2
FUSES AND CIRCUIT BREAKERS	3

NAME	PAGE
RELAYS	4
COMPONENTS	5

NAME	PAGE
INLINES	12
SPLICES	17

NAME	PAGE
SHELLS	19
REFERENCES	23

A

A

B

B

C

C

D

D

E

E

VOLVO Group Trucks Technology

Document title
WIRING DIAGRAM - TYPE-OL-LR 2019_OL-01

Document type
PRODUCT SCHEMATIC

Document No

23456108

Issue

02

Volume

2 (2)

Page

1 (33)

0

1

2

3

4

0

1

2

3

4

GROUNDS

NAME	PAGE
X0C	BA 3 A
X0C	GH 4 A

NAME	PAGE
X0C	HA 1 A
X01	XD 2 C

NAME	PAGE
X01A	XA 1 C
X01A	XB 2 D

NAME	PAGE
X01A	XC 1 D
X01A	XD 2 C

NAME	PAGE
X07A	KC 1 C
X71	AD 0 D

A

A

B

B

C

C

D

D

E

E

VOLVO Group Trucks Technology

Document title WIRING DIAGRAM - TYPE-OL-LR 2019_OL-01
--

Document type PRODUCT SCHEMATIC

Document No

23456108

Issue

02

Volume

2 (2)

Page

2 (33)

0

1

2

3

4

FUSES AND CIRCUIT BREAKERS

FUSE	DESCRIPTION	PAGE
F13 (15A/20A)	FUSE ABS BATT	AA 3 B
F13 (15A/20A)	FUSE ABS BATT	EA 3 A
F13 (15A/20A)	FUSE ABS BATT	EC 3 A
F14 (30A)	FUSE, OPEN	AA 3 B
F14 (30A)	FUSE, OPEN	CD 2 A
F16 (10A)	FUSE, VECU (EMS)	AB 1 C
F16 (10A)	FUSE, VECU (EMS)	BA 0 A
F17 (10A)	FUSE, CONTROL/SW INPUTS	AB 1 C
F17 (10A)	FUSE, CONTROL/SW INPUTS	BA 2 A
F19 (5A)	FUSE INST. CLUSTER	AA 3 B
F19 (5A)	FUSE INST. CLUSTER	BE 0 A
F25 ()	FUSE HVAC CAB	AB 4 D
F28 ()	FUSE, ALT SENSE	AC 3 B
F31 (10A)	FUSE TRANS SPARE	AB 1 C
F31 (10A)	FUSE TRANS SPARE	DD 3 A
F38 (30A)	FUSE ENGINE CONTROL UNIT	AA 1 D
F38 (30A)	FUSE ENGINE CONTROL UNIT	CA 0 A
F41 (20A)	FUSE, ENGINE ACC.	AA 1 D
F41 (20A)	FUSE, ENGINE ACC.	CG 2 A
F43 (15A)	FUSE ENGINE COMP #2	AA 2 D
F43 (15A)	FUSE ENGINE COMP #2	CA 1 B
F48 ()	FUSE LED DRL	GD 4 C

FUSE	DESCRIPTION	PAGE
F49 (10A)	FUSE, ABS	AA 0 D
F49 (10A)	FUSE, ABS	EA 3 A
F49 (10A)	FUSE, ABS	EC 3 A
F60 (15A)	FUSE, ENG COMP #1	AB 3 B
F60 (15A)	FUSE, ENG COMP #1	CA 0 A
F60 (15A)	FUSE, ENG COMP #1	CJ 3 A
F62 (30A)	FUSE, EAT BATT.	AB 3 B
F62 (30A)	FUSE, EAT BATT.	CD 3 A
F63 (5A)	FUSE, INSTR CLUSTER (EMS)	AB 2 C
F63 (5A)	FUSE, INSTR CLUSTER (EMS)	BE 0 A
F64 (10A)	FUSE, DPF, IGN	AB 2 C
F69 (5A)	FUSE, EAT EMS	AB 3 C
F69 (5A)	FUSE, EAT EMS	CH 0 A
F71 (10A)	FUSE, TRANS (BATT)	AB 4 B
F71 (10A)	FUSE, TRANS (BATT)	DD 0 A
F77 ()	FUSE SPARE 3	HA 1 B
F80 (5A)	FUSE CUMMINS ECU	CJ 2 B
F81 ()	FUSE, METHANE DETECTOR	CI 4 B
F82 ()	TGW	BI 1 B
F200 (15A)	FUSE ROOF AC	HB 2 B
FM5 (1A)	RCIOM power supply 1	CG 2 C

RELAYS

RELAY	DESCRIPTION	PAGE
RLY01	RELAY EMS #1	AB 3 C
RLY02	RELAY EMS #2	AA 2 C
RLY03	RELAY IGN. #1	AA 0 B
RLY04	RELAY IGN. #3	AA 3 C
RLY05	RELAY HIGH BEAM	GA 1 C
RLY06	RELAY, EMERGENCY STOP LAMP	GA 3 B
RLY10	RELAY, LEFT/RIGHT SW. PWR.	BA 1 B
RLY11	RELAY TRAILER TAIL LAMP	GG 2 B
RLY12	RELAY TRAILER STOP LAMP	GG 3 B
RLY13	RELAY, CAB AND TRAILER CLEARANCE LAMP	GA 1 C
RLY14	RELAY, HORN	GQ 2 C
RLY15	RELAY HAZARD BYPASS	GA 4 C
RLY016A	RELAY WINDSHIELD WIPER RH LOW	GP 2 B
RLY016B	RELAY WINDSHIELD WIPER RH HIGH	GP 2 B
RLY016C	RELAY WINDSHIELD WIPER LH LOW	GP 3 B
RLY016D	RELAY WINDSHIELD WIPER LH HIGH	GP 3 B
RLY17	RELAY REVERSE POWER	DD 3 B
RLY19	El. adjustable seat (optional fan and hea	GD 3 B
RLY28	RELAY, CB BINDING POST	KC 2 B
RLY29	RELAY, NEUTRAL POWER	NB 2 B
RLY34	RELAY, PRE-EMS	AA 1 B
RLY35	RELAY, HVAC CAB	HA 0 B
RLY36	RELAY START CNTL. 1	AC 2 C
RLY38	RELAY, LOW BEAM LEFT	GD 0 B
RLY39	RELAY, LOW BEAM RIGHT	GD 1 B
RLY45	RELAY PTO ENABLE	DD 4 B
RLY46	RELAY RANGE PTO	DD 3 B
RLY47	RELAY RETARDER	DD 2 B
RLY48	RELAY STOP LAMPS	DD 2 B
RLY49	RELAY AC CLUTCH	HA 0 C

RELAY	DESCRIPTION	PAGE
RLY52	RELAY, HIGH BEAM	GA 1 B
RLY54	RELAY METHANE DETECTOR	CI 0 B
RLY58	RELAY BEACON LAMP PTO	FC 1 B
RLY59	RELAY BEACON LPS REVERSE	FC 2 B
RLY60	RELAY, PARK BRAKE STOP LAMP	GA 3 B
RLY61	RELAY LIFT AXLE REVERSE	FB 0 A
RLY62	RELAY, REVERSE BODY POWER	NB 3 B
RLY63	RELAY, POWER INDICATOR	GA 3 D
RLY63 JMP	JUMPER, CLEARANCE LIGHTS	GA 2 E
RLY64	1 DETECT METHANE RELAY RELAY, SPARE	NA 0 C
RLY68	RELAY, ENGINE COMP#1	CA 0 B
RLY70	RELAY, TPS L-R REF.	BB 4 C
RLY71	RELAY, TPS L-R IVS	BB 3 B
RLY72	RELAY DIRECTIONAL LAMPS L-R	GH 0 B
RLY73	RELAY LEFT COMB. STOP TURN LAMPS	GH 0 B
RLY74	RELAY HIGH BEAM SW. L-R	GH 1 B
RLY75	RELAY, ALLISON L-R SHIFT INHIBIT	BB 1 B
RLY76	RELAY ALLISON L/R SERVICE BRAKE INHIBIT	DE 2 B
RLY77	RELAY AUTO NEUTRAL PACKER	DE 0 C
RLY78	RELAY AUTO NEUTRAL WORK BRAKE	DE 1 C
RLY80	RELAY, WORK LAMPS LEFT	GD 0 A
RLY81	RELAY, WORK LAMPS RIGHT	GD 2 B
RLY89	RELAY, HEATER HIGH FAN SPEED	HA 1 C
RLY91	#1 (optional AUX. El. FAN RELAY adjustabl	CD 0 C
RLY92	#2 (optional AUX. El. FAN RELAY adjustabl	CD 1 C
RLY95	(optional 2 El. INTERRUPT RELAY START adj	BP 0 B
RLY96	RELAY RIGHT COMB. STOP TURN LAMPS	GH 1 B
RLY98	RELAY, PDLO	BD 3 D
RLY99	RELAY, METHANE DETECTION	CI 0 C
RLY113	RELAY, L/R MPH/RPM BRAKE STATUS CONTROLLE	DE 4 B

COMPONENTS

COMPONENT	DESCRIPTION	PAGE
A03	Instrument cluster	BE 0 D
A03 Z	GAUGE FUEL LEVEL LNG	CG 1 B
A03D	GAUGE DIESEL LEVEL & DEF LEVEL	BE 3 D
A03E	GAUGE PYROMETER	BE 3 E
A06R1 Climate Control V1 v1	El. adjustable seat (optional fan and hea	HB 0 D
A12A	Control unit, ABS (Anti-lock Brake Syst	EA 0 C
A12B	Control unit, ABS (Anti-lock Brake Syst	EC 0 C
A17	Control unit, VECU (Vehicle ECU)	AC 2 A
A17	Control unit, VECU (Vehicle ECU)	BA 1 D
A17	Control unit, VECU (Vehicle ECU)	BC 1 D
A17	Control unit, VECU (Vehicle ECU)	BD 2 D
A17	Control unit, VECU (Vehicle ECU)	BQ 0 B
A17	Control unit, VECU (Vehicle ECU)	GD 2 A
A17	Control unit, VECU (Vehicle ECU)	HA 0 D
A19EP	CONTROL UNIT ALLISON GEAR SELECTOR PRIMARY	DD 0 E
A19ES	CONTROL UNIT, ALLISON GEAR SELECTOR SECON	DE 0 D
A34	Control unit, climate unit	HA 1 A
A39	Control unit, camera	KA 0 E
A57	Control unit, Allison Transmission	DC 0 A
A57	Control unit, Allison Transmission	DD 0 D
A58	TRANSMISSION ALLISON	DC 0 D
A83	Control unit, Daytime running lights	GD 2 B
A92A	CONTROL UNIT AUX. COOLING FAN	CD 2 C
A92B	CONTROL UNIT AUX. COOLING FAN	CD 3 C
A99	Component group, transmission and retarde	DC 3 D
A124	COMPONENT GROUP, STARTER MOTOR, M04 & K65	AC 3 A
A124	COMPONENT GROUP, STARTER MOTOR, M04 & K65	AD 2 A
A125	Control unit, TCW (Telematics Gateway)	BI 1 C
A137B	Contol Module, ACM (Adblue control modu	CH 0 C
A138	PUMP UNIT, ADBLUE	CH 1 E
A153	Instrument Cluster	BG 0 C
A153A	GAUGE FUEL	BG 3 D
A153B	GAUGE PYROMETER	BG 3 E
A158	Radio	KA 2 C
A158 J1	JUMPER BATTERY FEED	KA 3 B
A158 J2	JUMPER BATTERY FEED	KA 3 C
A175A	TMC 1226 TESP	BY 1 E
A215	FLASHER	GA 2 A
A216	CAMERA MONITOR	KA 1 D
A217	GAUGE LIFT AXLE PUSHER	BE 4 C
A223	CONTROL UNIT MEMORY MIRROR	ID 1 E
B06T1	SENSOR PRIMARY AIR	BE 1 D
B06T2	SENSOR SECONDARY AIR	BE 1 D
B07	Sensor, fuel level	BE 1 D
B07A	SENSOR LNG FUEL LEVEL	CG 1 D
B09	SENSOR TRANSMISSION TEMPERATURE	BE 2 D
B13	SENSOR, WHEEL SPD LH FRT AXLE	EA 1 B
B13	SENSOR, WHEEL SPD LH FRT AXLE	EC 0 D
B14	SENSOR WHEEL SPD RH FRT AXLE	EA 1 B
B14	SENSOR WHEEL SPD RH FRT AXLE	EC 1 D

COMPONENTS

COMPONENT	DESCRIPTION	PAGE
B15	Sensor, wheel speed, lhs. 1:st driven re	EA 0 D
B15	Sensor, wheel speed, lhs. 1:st driven re	EC 0 B
B16	Sensor, wheel speed, rhs. 1:st driven re	EA 1 D
B16	Sensor, wheel speed, rhs. 1:st driven re	EC 1 B
B17	Sensor, wheel speed, lhs., 2:nd driven r	EA 2 E
B17	Sensor, wheel speed, lhs., 2:nd driven r	EC 3 D
B18	Sensor, wheel speed, rhs., 2:nd driven r	EA 2 E
B18	Sensor, wheel speed, rhs., 2:nd driven r	EC 3 D
B22	SENSOR OUTDOOR TEMPERATURE	BE 0 D
B22C	SENSOR AMBIENT AIR TEMP	CJ 3 E
B23A	Sensor, oil temperature, retarder	DC 3 D
B25	Sensor, accelerator pedal	BB 3 D
B25	Sensor, accelerator pedal	BQ 3 C
B25L	SENSOR, ACCELERATOR PEDAL LEFT	BB 3 D
B60LF	Loudspeaker, left front	KA 2 E
B60RF	Loudspeaker, right front	KA 2 E
B67	Rear view camera	KA 0 D
B80	Handsfree, Loudspeaker, Microphone	KA 2 C
B99	Sensor, urea quality / temp	CA 3 C
B121	Sensor, Low level washer fluid	BE 3 A
B122A	SENSOR EXHAUST TEMPERATURE CATALYST	CJ 3 D
B122B	SENSOR CATALYST OUTLET TEMP.2	CJ 3 D
B123A	SENSOR COOLANT LEVEL	CJ 2 D
B124FR	SENSOR, OIL TEMP., FRONT REAR AXLE	BE 0 E
B124RR	SENSOR, OIL TEMP. REAR REAR AXLE	BE 0 E
B133	Sensor, Air filter restriction	BE 1 A
B185A	SENSOR OXYGEN OUTLET EGO	CJ 3 D
B245A	Camera, accessory	KA 0 D
B272	Sensor, Pressure Crankcase	CJ 2 E
B300B	METHANE SENSOR ENGINE	CI 1 C
B319	SENSOR ALARM CO	CI 0 D
CB2	CIR. BRKR., HDLMPS. HI, DRL	AA 0 B
CB2	CIR. BRKR., HDLMPS. HI, DRL	GA 1 A
CB3	CIR. BRKR., PARK, TAIL MARKER LPS.	AA 0 B
CB3	CIR. BRKR., PARK, TAIL MARKER LPS.	GA 0 A
CB4	CIR. BRKR., TURN LPS. FLASHER	AA 1 B
CB4	CIR. BRKR., TURN LPS. FLASHER	GA 2 A
CB21	CIR. BRKR., LH WS WIPER	AA 0 C
CB21	CIR. BRKR., LH WS WIPER	GP 4 A
CB22	CIR. BRKR., RH WS WIPER	AA 0 C
CB22	CIR. BRKR., RH WS WIPER	GP 2 A
CB23	CIR. BRKR., WS WIPER/ WASHER	AA 1 C
CB23	CIR. BRKR., WS WIPER/ WASHER	GP 0 A
CB54	CIR BRKR, DAYTIME RUNNING LIGHTS	AB 2 B
CB54	CIR BRKR, DAYTIME RUNNING LIGHTS	GD 3 A
CB56	POWER WINDOW DRIVERS SIDE	AA 3 D
CB56	POWER WINDOW DRIVERS SIDE	IE 0 A
CB76	CIR. BRKR., HYDRAULIC PUMP PROTECTION WEB	NA 1 D
E11LA	Lamp, side marker light, left side 1	GD 2 E
E11LB	Lamp, side marker light, left side 2	GD 2 D

COMPONENTS

COMPONENT	DESCRIPTION	PAGE
E11RA	Lamp, side marker light, right side 1	GD 4 D
E11RB	Lamp, side marker light, right side 2	GD 4 D
E12L	Lamp, roof position light, left	GA 3 D
E12R	Lamp, roof position light, right	GA 4 D
E14L	Lamp, beacon warning lamp	GD 2 D
E14R	Lamp, beacon warning lamp	GD 3 D
E17L	Lamp, interior light	GH 4 B
E17R	Lamp, interior light	GH 4 B
E18L	Lamp, reading light	GH 2 B
E18R	Lamp, reading light	GH 3 B
E19C	Lamp, identification light, roof, center	GA 1 E
E19L	Lamp, identification light, roof, left	GA 0 E
E19R	Lamp, identification light, roof, right	GA 1 E
E27L	Tail lamp module, left	GF 1 C
E27R	Tail lamp module, left	GF 2 C
E30L	Lamp, full- and dipped beams, left	GD 0 D
E30R	Lamp, full- and dipped beams, right	GD 1 D
E32	Climate unit	HA 1 D
E35	HVAC Unit, Heat, Ventilation and Air Cond	HA 4 D
E57	Lamp, Main switch interface	GA 4 D
EL3L	Lamp, Cab/body working light, left	GD 0 C
EL3R	Lamp, Cab/body working light, right	GD 1 C
F25	FUSE HVAC CAB	AB 4 D
F28	FUSE, ALT SENSE	AC 3 B
F48	FUSE LED DRL	GD 4 C
F77	FUSE SPARE 3	HA 1 B
F81	FUSE, METHANE DETECTOR	CI 4 B
F82	TCW	BI 1 B
FM3	FUSE MAIN PWR. CAB	AC 3 D
FM3_A1	MAIN CIRCUIT BREAKER	AC 4 D
G01	Battery	AB 0 D
G01	Battery	AC 3 C
G01	Battery	AD 2 B
G01	Battery	BN 0 B
G01	Battery	CH 0 B
G01	Battery	CJ 5 A
G01	Battery	HB 2 B
G01	Battery	KA 4 A
G02	Alternator	AC 4 B
G02	Alternator	AD 0 A
G02	Alternator	BP 0 B
H02	Horn	GQ 3 C
H02A	Horn	GQ 2 D
H02B	Horn	GQ 3 D
H03	Reverse warner, acoustic	GF 3 B
H16	METHANE FUME DETECTOR	CI 1 B
H17	METHANE DETECTION STATUS	CI 3 B
M01L	MOTOR WINDSHIELD WIPER LH	GP 3 C
M01R	MOTOR WINDSHIELD WIPER RH	GP 2 C
M02	MOTOR WS. WASHER PUMP	GP 0 C

COMPONENTS

COMPONENT	DESCRIPTION	PAGE
M78L	MOTOR MIRROR LEFT SIDE	IC 0 D
M78L	MOTOR MIRROR LEFT SIDE	ID 0 B
M78R	MOTOR MIRROR RIGHT SIDE	IC 3 C
M78R	MOTOR MIRROR RIGHT SIDE	ID 3 B
M120A	MOTOR, AUX. COOLING FAN #1	CD 0 E
M120B	MOTOR, AUX. COOLING FAN #2	CD 1 E
M121A	MOTOR AUX. COOLING FAN #1	CD 2 D
M121B	MOTOR AUX. COOLING FAN #2	CD 3 D
R01	HEATER, ENGINE PREHEAT	AD 0 A
R04	CIGAR LIGHTER	KC 3 C
R05	Heater, air dryer	FA 3 C
R05A	AIR DRYER, HEATED	FA 2 C
R05B	AIR DRYER, HEATED	FA 0 C
R08B	TERM RESISTOR	BY 2 B
R08MC	Terminating resistor, CAN-bus	XA 3 A
R08MC	Terminating resistor, CAN-bus	XB 4 A
R09	HEATER, FUEL WATER SEPARATOR	CC 1 C
R14	Termination resistor	XC 2 C
R14B	Termination resistor	XC 2 B
R19A	HEATER HEATED DRAIN VALVE COOLING TANK	FA 0 C
R19B	HEATER HEATED DRAIN VALVE WET TANK	FA 1 C
R21A	TERM RESISTOR	XE 2 B
R21B	TERM RESISTOR	XE 1 B
R29	Heater, NOxCare tank to pump hose	CH 3 E
R31	Heater, NOxCare pump to injector hose	CH 3 D
R34	Termination resistor	XB 1 E
R39A	RESISTOR, CUMMINS PULL UP IVS	BC 2 C
R39B	RESISTOR CUMMINS PULL DOWN FUEL LEVEL	BE 1 D
R78	HEATER ENGINE BLOCK COOLANT	CC 2 C
S01A	SWITCH, MAIN LIGHTING	GA 0 B
S03	Switch, loading lamps / working lamps	GD 4 A
S05A	Switch, interior light, selector type	GH 4 D
S05B	Switch, interior light, selector type	GH 2 D
S05C	Switch, interior light, selector type	GH 3 D
S07	Switch, engine brake, selector type	BA 3 C
S08	Switch, differential gear lock, rear whe	BD 1 B
S09A	Switch, differential lock, rear inter-axl	FB 4 B
S13L	SWITCH, DIRECTIONAL SIGNAL LEFT	GA 2 C
S13R	SWITCH, DIRECTIONAL SIGNAL RIGHT	GH 0 D
S14L	SWITCH, HORN LEFT SIDE	GQ 0 C
S14R	SWITCH, HORN RIGHT SIDE	GQ 1 C
S016	SWITCH, ATC LIMITED SLIP	EC 3 B
S019A	SWITCH, POWER DIVIDER LOCKOUT	FB 3 B
S28A	Switch, power take off 1	FD 0 B
S28D	Switch, power take off 4	FC 1 B
S30	Switch unit, multi-function display	BE 1 B
S30A	SWITCH 1 LEFT IC DISPLAY	BE 2 A
S30B	SWITCH RIGHT IC DISPLAY	BG 1 A
S30C	SWITCH 1 RIGHT IC DISPLAY	BG 2 A
S31	Switch, TCS (Traction Control System)	EA 2 A

COMPONENTS

COMPONENT	DESCRIPTION	PAGE
S40	Switch, rear view camera, camera selecti	KA 0 B
S43	Pressure switch, parking brake indicator	BA 3 E
S43D	SW. PRESS PARK BRAKE BODYBUILDER	BP 1 C
S44	Position switch, door, interior light, N	GH 4 E
S44L	SWITCH DOOR LEFT	GH 3 E
S48P	SWITCH PRESSURE SERVICE BRAKE PRIMARY	GA 4 B
S48PL	SWITCH SERVICE BRALE PRIMARY N/O LEFT	DE 3 C
S48PR	SWITCH SERVICE BRAKE PRIMARY N/O RIGHT	DE 2 C
S48S	SWITCH PRESSURE SERVICE BRAKE SECONDARY	GA 4 B
S48SL	SWITCH SERVICE BRAKE SECONDARY N/O LEFT	DE 4 C
S48SR	SWITCH SERVICE BRAKE SECONDARY N/O RIGHT	DE 3 C
S54	Position switch, differential gear lock, BE	4 B
S71	Pressure switch, compressor charging, NO	HA 0 C
S103	Switch, heated mirror, mirror adjustment	IC 0 B
S103	Switch, heated mirror, mirror adjustment	ID 2 B
S105	Switch, Hazard warning light	GH 2 D
S106PS	SWITCH, PASSENGER POWER WINDOW	IE 2 B
S107	SWITCH, DRIVER POWER WINDOW	IE 0 B
S115	Switch, Door lock	IF 1 C
S117	Position switch, differential lock, rear	BE 4 B
S123	Switch, Mirror defrost	IC 2 B
S123	Switch, Mirror defrost	ID 1 B
S130	Switch, Air suspension	FB 2 B
S146	Switch, R/+ and S/-	BA 0 C
S146B	SWITCH RIGHT R+/S-	BA 1 C
S147A	Switch, RPM regulation	BA 2 C
S147B	Switch, RPM regulation	BA 3 C
S169	Switch, Battery Main Switch	AC 3 D
S190	Switch, pressure sensor / airconditioning	HA 0 D
S217	Switch, ignition, selector type (dashboar	AC 0 C
S218	Stalk switch, windscreen wiper, selector	GP 0 B
S314	SWITCH, RETARDER	DD 1 B
S330	SWITCH, BODY BUILDER PARK BRAKE	BB 0 D
S330	SWITCH, BODY BUILDER PARK BRAKE	BQ 0 C
S330JMP	SWITCH, BODY BUILDER PARK BRAKE JUMPER	BB 1 D
S330JMP	SWITCH, BODY BUILDER PARK BRAKE JUMPER	BQ 2 C
S331	SWITCH, PARKER PTO ENGAGED	FD 1 C
S332	SWITCH, DIMMER	GA 1 B
S339	SWITCH, MASTER LEFT/RIGHT DRIVE	BB 0 A
S340	SWITCH, WORK BRAKE PRIMARY 1	DE 1 C
S340A	SWITCH, WORK BRAKE PRIMARY 2	DE 0 B
S340B	SWITCH WORK BRAKE SECONDARY 1	DE 1 B
S340C	SWITCH, WORK BRAKE SECONDARY 2	DE 0 B
S341A	SWITCH TAG AXLE LIFT	FB 0 C
S341B	SWITCH PUSHER AXLE LIFT	FB 0 B
S344	SWITCH PRESSURE PRIMARY LOW AIR	BF 1 C
S344A	SWITCH PRESSURE SECONDARY LOW AIR	BF 2 C
S347	SWITCH MIRROR MEMORY	ID 2 B
S493L	SWITCH BRAKE AUTO NEUTRAL LEFT	DD 0 B
S493R	SWITCH BRAKE AUTO NEUTRAL RIGHT	DD 0 B

0

1

2

3

4

COMPONENTS

COMPONENT	DESCRIPTION	PAGE
V03	Diode	GD 1 C
V33	Diode	BF 2 C
V34	Diode	DD 3 C
V35	DIODE, METHANE DETECTION	CI 0 D
X10	B+ pass through, Cab	AC 3 E
X11	Connector, Engine	CA 0 C
X11	Connector, Engine	HA 0 E
X11B	CONNECTORS CUMMINS '18 ISL G ENGINE	CJ 1 C
X18	Fusible Link	AD 1 B
X21B	Socket, Body builder connector	BC 0 C
X21C	Socket, Body builder connector	CJ 4 E
X21F	BODYLINK TMC RP170 POWERTRAIN	BP 0 D
X21G	BODYLINK TMC RP170 LIGHTING	BN 2 C
X21H	BODYLINK TMC RP170 POWER	BN 0 C
X34	JUNCTION, CB BINDING POST	KC 2 C
X71	GROUND, ENGINE BLOCK, ALTERNATOR, PRE-HE	AD 0 D
X110	Split Connector, ground	AD 2 B
X111	Split Connector, ground	AD 4 C
X111	Split Connector, ground	BC 0 C
X111	Split Connector, ground	CI 1 D
X111	Split Connector, ground	GD 2 B
X111	Split Connector, ground	HA 1 B
X135	Chassis Ground Stud	AD 1 C
X136	Cab Passthrough Ground Stud	AD 2 C
X137	Cab Ground Stud	AD 2 C
X137A	STUD CAB GROUND	AD 2 D
X140	Battery Box Ground Stud	AD 1 B
X141	CONNECTOR SHORE POWER BLOCK HEATER	CC 2 B
X175	JUNCTION BLOCK 14 POST MAIN	GG 2 D
X175	JUNCTION BLOCK 14 POST MAIN	NA 1 A
X178	JUNCTION BLOCK 5 POST OPTIONS	NB 1 B
X179	JUNCTION BLOCK 4 POST BODY BUILDER	KA 0 C
X179	JUNCTION BLOCK 4 POST BODY BUILDER	NB 3 D
X194	CONNECTOR, TGW BODYBUILDER INTERFACE	BI 1 D
X197	CONNECTOR EATS	BE 1 A
X197	CONNECTOR EATS	CA 2 B
X197	CONNECTOR EATS	CH 0 D
Y05	Solenoid valve, bogie lift	FB 0 D
Y11	Solenoid valve unit, ABS, front left	EA 0 B
Y11	Solenoid valve unit, ABS, front left	EC 1 D
Y12	Solenoid valve unit, ABS, front right	EA 1 B
Y12	Solenoid valve unit, ABS, front right	EC 1 D
Y13	Solenoid valve unit, ABS, rear left	EA 1 D
Y13	Solenoid valve unit, ABS, rear left	EC 1 B
Y14	Solenoid valve unit, ABS, rear right	EA 2 D
Y14	Solenoid valve unit, ABS, rear right	EC 1 B
Y15	Solenoid valve unit, ABS, lhs. 3:rd axle	EA 3 D
Y15	Solenoid valve unit, ABS, lhs. 3:rd axle	EC 3 D
Y16	Solenoid valve unit, ABS, rhs. 3:rd axle	EA 3 D
Y16	Solenoid valve unit, ABS, rhs. 3:rd axle	EC 3 D

0

1

2

3

4

0

1

2

3

4

COMPONENTS

COMPONENT	DESCRIPTION	PAGE
Y18A	Solenoid valve, PTO1 (Power Take Off)	FC 1 D
Y35	Solenoid valve, engine cooling fan	CA 1 C
Y35E	SOLENOID ENGINE FAN E-VISCO	CJ 1 D
Y42	Clutch, magnetic, air conditioning compr	HA 0 E
Y51	Solenoid valve, Air dryer	FA 4 C
Y57	Solenoid valve, Automatic Traction Contr	EA 1 D
Y57	Solenoid valve, Automatic Traction Contr	EC 2 B
Y62	Solenoid valve, TCM backup	DC 0 C
Y81	Solenoid valve, AdBlue tank heating	CH 2 D
Y95	SOLENOID HIGH NG PRESSURE LOCKOFF	CG 2 D
Y137	Mega valve unit	FB 1 D
Y168	SOLENOID, PARKER PTO	FD 3 C
Z10	ONBOARD DIAGNOSTIC CONNECTOR VENDOR ENGIN	XB 1 C
Z10	ONBOARD DIAGNOSTIC CONNECTOR VENDOR ENGIN	XE 3 C

VOLVO Group Trucks Technology

Document title
WIRING DIAGRAM - TYPE-OL-LR 2019_OL-01

Document No

Issue

Volume

Page

Document type
PRODUCT SCHEMATIC

23456108

02

2 (2)

11 (33)

0

1

2

3

4

0

1

2

3

4

INLINES

INLINE	PAGE
6SABS:A	EA 2 D
6SABS:A	EC 3 D
6SABS:B	EA 2 D
6SABS:B	EC 3 D
6SABS:C	EA 2 D
6SABS:C	EC 3 D
6SABS:D	EA 2 D
6SABS:D	EC 3 D
6SABS:E	EA 3 D
6SABS:E	EC 3 D
6SABS:F	EA 3 E
6SABS:F	EC 3 D
6SABS:G	EA 3 D
6SABS:G	EC 3 D
6SABS:H	EA 3 D
6SABS:H	EC 3 D
6SABS:J	EA 4 E
6SABS:J	EC 3 D
6SABS:K	EA 3 D
6SABS:K	EC 3 D
A230FC:1	BN 1 B
A230FC:2	AB 0 D
A230FC:3	CH 0 B
A230FC:3	CJ 4 B
A230FC:4	KA 4 B
ABS X1:1	EA 2 B
ABS X1:3	EA 3 B
ABS X1:4	EA 1 C
ABS X1:5	EA 1 C
ABS X1:6	EA 2 B
ABS X1:7	EA 3 B
ABS X1:8	EA 4 B
ABS X1:10	EA 1 C
ABS X1:11	EA 1 C
ABS X1:16	EA 3 B
ABS X2:1	EA 1 B
ABS X2:2	EA 0 B
ABS X2:3	EA 0 A
ABS X2:4	EA 1 B
ABS X2:5	EA 1 B
ABS X2:6	EA 1 A
ABS X2:7	EA 1 B
ABS X2:8	EA 1 B
ABS X2:9	EA 0 D
ABS X2:10	EA 2 C
ABS X2:11	EA 1 B
ABS X2:12	EA 0 D
ABS X2:13	EA 1 C
ABS X2:14	EA 1 B
ABS X2:15	EA 0 C

INLINE	PAGE
ABS X2:16	EA 1 C
ABS X2:17	EA 1 C
ABS X2:18	EA 1 C
ABS X3:4	EA 3 C
ABS X3:6	EA 4 E
ABS X3:7	EA 3 C
ABS X3:9	EA 3 E
ABS X3:10	EA 3 C
ABS X3:11	EA 2 C
ABS X3:12	EA 2 C
ABS X3:13	EA 3 C
ABS X3:14	EA 2 C
ABS X3:15	EA 2 C
ALBB:1	BH 1 D
ALBB:2	BH 1 D
ALBB:3	BH 1 D
ALBB:4	BH 2 D
ALBB:5	BH 2 D
ALBB:6	BH 2 D
ALLISON:1	DC 2 C
ALLISON:2	DC 2 C
ALLISON:3	DC 1 C
ALLISON:4	DC 2 C
ALLISON:5	DC 0 B
ALLISON:6	DC 1 C
ALLISON:7	DC 1 C
ALLISON:8	DC 1 C
ALLISON:9	DC 1 C
ALLISON:10	DC 0 C
ALLISON:11	DC 0 C
ALLISON:12	DC 1 C
ALLISON:13	DC 1 C
ALLISON:14	DC 2 C
ALLISON:15	DC 2 C
ALLISON:16	DC 2 C
ALLISON:17	DC 0 C
ALLISON:18	DC 0 C
ALLISON:19	DC 1 C
ALLISON:20	DC 1 C
ALLISON:21	DC 2 C
ALLISON:22	DC 2 C
ALLISON:23	DC 2 C
ALLISON:24	DC 1 C
ALLISON:27	DC 0 B
ALLISON:28	BE 2 D
ALLISON:29	BE 2 E
ALLISON:30	DC 0 C
ALLISON:31	DC 0 C
ALLISON:32	FD 1 B
ALLISON:33	FD 1 C

INLINE	PAGE
ALLISON:34	FD 2 E
BB PK BK:A	BB 1 D
BB PK BK:A	BQ 1 C
BB PK BK:B	BB 1 D
BB PK BK:B	BQ 1 C
BBM 1939:A	BB 1 C
BBM 1939:B	BB 1 C
BBMJ1939 OPTA:A BY 2 B	
BBMJ1939 OPTA:B BY 2 B	
BBMJ1939 OPTB:A BY 1 A	
BBMJ1939 OPTB:B BY 1 A	
CDPF:A	CJ 3 D
CDPF:B	CJ 4 D
CDPF:D	CJ 4 D
CDPF:E	CJ 3 D
CDPF:F	CJ 3 E
CDPF:G	CJ 4 D
CDPF:K	CJ 3 D
CDPF:L	CJ 3 D
CNGND1:1	AD 0 D
DPDL1:1	IF 2 D
DPDL1:2	IF 3 D
DPDL2:1	IE 0 D
DPDL2:2	IE 0 D
DPDL3:1	IC 0 D
DPDL3:1	ID 0 C
DPDL3:2	IC 1 D
DPDL3:2	ID 0 C
DPDL3:3	IC 0 D
DPDL3:3	ID 0 C
DPDL3:4	IC 0 D
DPDL3:4	ID 0 C
DPDL4:1	IC 0 D
DPDL4:1	ID 0 C
DPDL4:3	ID 0 C
DPDL4:5	ID 0 C
DPDL4:6	ID 0 C
DPDR1:1	IF 2 C
DPDR1:2	IF 3 C
DPDR3:1	IC 1 D
DPDR3:1	ID 4 C
DPDR3:2	IC 1 D
DPDR3:2	ID 4 C
DPDR3:3	IC 1 D
DPDR3:3	ID 3 C
DPDR3:4	IC 1 D
DPDR3:4	ID 4 C
DPDR4:1	IC 1 D
DPDR4:1	ID 4 C
DPDR4:3	ID 4 C

INLINE	PAGE
DPDR4:5	ID 4 C
DPDR4:6	ID 4 C
DPDR:1	IE 1 D
DPDR:2	IE 2 D
DPMC:A	KA 4 A
DPMC:B	KA 4 A
DSFC:A	BE 0 D
DSFC:B	BE 0 E
DSFC:C	BE 0 D
DSFC:D	BE 4 B
DSFC:E	BE 4 B
FCAD:A	FA 0 B
FCAD:A	FA 0 D
FCAD:B	FA 0 C
FCALT:A	BP 0 B
FCAR:A	BE 1 B
FCAR:B	BE 0 A
FCBL:A	GF 2 B
FCBL:B	GF 1 B
FCBL:C	BN 2 C
FCBL:C	GF 1 B
FCBL:D	BN 2 C
FCBL:D	GF 2 B
FCBL:E	GF 2 B
FCCE:2	FB 2 D
FCCE:4	FB 1 C
FCCE:7	GF 2 B
FCCE:11	GF 2 D
FCCE:12	FB 1 D
FCCE:14	GF 2 D
FCCE:15	EA 0 D
FCCE:15	EC 0 B
FCCE:16	EA 1 D
FCCE:16	EC 0 B
FCCE:17	EA 1 D
FCCE:17	EC 1 B
FCCE:18	EA 1 E
FCCE:18	EC 0 B
FCCE:19	EA 1 D
FCCE:19	EC 1 B
FCCE:20	EA 1 D
FCCE:20	EC 1 B
FCCE:21	EA 1 D
FCCE:21	EC 1 B
FCCE:22	EA 1 D
FCCE:22	EC 1 B
FCCE:23	EA 1 E
FCCE:23	EC 1 B
FCCE:24	EA 2 D

INLINE	PAGE
FCCE:24	EC 1 B
FCCE:25	EA 1 D
FCCE:25	EC 2 B
FCCE:26	EA 1 D
FCCE:26	EC 2 B
FCCE:27	FB 1 E
FCCE:28	BE 1 E
FCCE:29	BE 0 D
FCCE:30	BE 0 D
FCCE:31	BE 4 B
FCCE:32	BE 4 B
FCCE:33	GF 1 B
FCCE:34	GF 1 B
FCCE:35	GF 2 B
FCEFS:A	CA 1 C
FCEFS:B	CA 1 C
FCFS2:A	CJ 1 D
FCFS2:A	CJ 1 D
FCFS2:B	CJ 1 E
FCFS2:B	CJ 1 E
FCLA:A	FB 0 D
FCLA:B	FB 0 D
FCLA:C	FB 0 E
FGRP170A:2	BN 2 C
FGRP170A:3	BP 0 C
FGRP170A:5	BN 2 C
FGRP170A:6	BN 3 C
FGRP170A:7	BN 3 C
FGRP170A:13	BN 3 C
FGRP170A:14	BN 3 C
FCSH:1	CD 0 D
FCSH:2	CD 1 D
FCSH:3	CD 0 D
FCSH:4	CD 1 D
FCSP:B	FB 1 D
FCSP:C	FB 1 D
FCSP:E	FB 2 D
FCSP:L	FB 1 E
FCSP:N	FB 3 E
FCSP:R	FB 2 E
FCSP:S	FB 1 E
FCUT:2	CH 3 D
FCUT:3	CH 4 D
FCUT:4	CH 3 D
FCUT:5	CH 1 D
FCUT:6	CH 2 D
FCUT:7	CH 2 D
FCUT:8	CH 2 D

0

1

2

3

4

0

1

2

3

4

INLINES

INLINE	PAGE
FCUT:9	CH 2 D
FCUT:11	CA 3 C
FCUT:12	CH 2 D
FCUT:14	CA 3 C
FCUT:15	CH 1 D
FCUT:16	CH 1 D
FCUT:17	CA 3 D
FCUT:18	CA 3 D
FCUT:21	CA 3 C
FCUT:22	CA 3 C
FCUTEXT:2	CH 3 C
FCUTEXT:3	CH 4 C
FCUTEXT:4	CH 3 C
FCUTEXT:5	CH 1 C
FCUTEXT:6	CH 2 C
FCUTEXT:7	CH 2 C
FCUTEXT:8	CH 2 C
FCUTEXT:9	CH 2 C
FCUTEXT:11	CA 2 C
FCUTEXT:12	CH 2 C
FCUTEXT:14	CA 2 C
FCUTEXT:15	CH 1 C
FCUTEXT:16	CH 1 C
FCUTEXT:17	CA 3 E
FCUTEXT:18	CA 3 E
FCUTEXT:21	CA 3 C
FCUTEXT:22	CA 3 C
FRC1:A1	AB 3 C
FRC1:A1	CH 0 A
FRC1:A2	AB 2 C
FRC1:A3	AB 2 C
FRC1:A4	AB 2 C
FRC1:A4	BE 0 A
FRC1:A5	AB 1 C
FRC1:A5	DD 3 A
FRC1:A6	AB 1 C
FRC1:A6	BC 2 A
FRC1:A7	AB 1 C
FRC1:A7	BA 2 A
FRC1:A8	AB 1 C
FRC1:A8	BA 0 A
FRC1:A9	AA 2 D
FRC1:A9	KA 1 A
FRC1:A9	NA 4 A
FRC1:A10	AA 1 D
FRC1:A10	FC 1 A
FRC1:A11	AA 1 D
FRC1:A11	GG 1 A
FRC1:A11	NA 0 A
FRC1:A12	AA 1 D

INLINE	PAGE
FRC1:A12	NB 0 A
FRC1:A13	AA 1 D
FRC1:A13	GP 0 A
FRC1:A14	AA 0 D
FRC1:A14	GP 2 A
FRC1:A15	AA 0 D
FRC1:A15	GP 4 A
FRC1:A16	AA 0 D
FRC1:A16	FB 2 A
FRC1:B1	AB 3 C
FRC1:B2	AB 3 C
FRC1:B3	AA 0 B
FRC1:B4	AA 0 C
FRC1:C1	AB 4 B
FRC1:C1	DD 0 A
FRC1:C2	AB 4 B
FRC1:C2	KC 3 A
FRC1:C3	AB 3 B
FRC1:C3	IF 0 A
FRC1:C4	AB 3 B
FRC1:C4	CD 3 A
FRC1:C5	AB 3 B
FRC1:C5	NB 0 A
FRC1:C6	AB 3 B
FRC1:C6	CA 0 A
FRC1:C6	CJ 3 A
FRC1:C7	AB 2 B
FRC1:C7	GD 3 A
FRC1:C8	AB 2 B
FRC1:C8	GD 1 A
FRC1:C9	AA 2 B
FRC1:C9	KA 3 A
FRC1:C9	XA 2 A
FRC1:C9	XB 2 A
FRC1:C10	AA 2 B
FRC1:C10	KC 2 A
FRC1:C11	AA 1 B
FRC1:C11	AC 0 A
FRC1:C12	AA 1 B
FRC1:C12	GH 3 A
FRC1:C13	AA 1 B
FRC1:C13	GA 4 A
FRC1:C14	AA 1 B
FRC1:C14	GA 2 A
FRC1:C15	AA 0 B
FRC1:C15	GA 0 A
FRC1:C16	AA 0 B
FRC1:C16	GA 1 A
FRC1:E1	AA 4 B
FRC1:E1	NA 2 A

INLINE	PAGE
FRC1:E2	AA 4 B
FRC1:E2	IC 0 A
FRC1:E2	ID 2 A
FRC1:E3	AA 3 B
FRC1:E3	BE 0 A
FRC1:E4	AA 3 B
FRC1:E4	FC 1 A
FRC1:E5	AA 3 B
FRC1:E5	CD 2 A
FRC1:E6	AA 3 B
FRC1:E6	EA 3 A
FRC1:E6	EC 3 A
FRC1:E7	AA 2 B
FRC1:E7	NB 1 A
FRC1:E8	AA 2 B
FRC1:E8	BY 1 B
FRC1:E8	GG 1 A
FRC1:E8	NA 0 A
FRC1:E9	AB 2 B
FRC1:E9	GD 0 A
FRC1:E10	AB 2 B
FRC1:E10	GG 2 A
FRC1:E11	AB 1 B
FRC1:E11	GO 3 B
FRC1:E12	AB 1 B
FRC1:E12	GA 2 A
FRC1:E13	AB 1 B
FRC1:E13	NB 3 A
FRC1:E14	AB 0 B
FRC1:E14	GG 3 A
FRC1:E15	AB 0 B
FRC1:E15	NA 3 A
FRC1:E16	AA 4 B
FRC1:F1	AA 2 D
FRC1:F2	AA 2 C
FRC1:F3	AA 3 D
FRC1:F4	AA 3 C
FRC1:F8	AA 2 D
FRC1:F8	CA 1 B
FRC1:G1	AA 0 D
FRC1:G1	BB 2 A
FRC1:G1	BY 3 B
FRC1:G2	AA 0 D
FRC1:G2	EA 3 A
FRC1:G2	EC 3 A
FRC1:G3	AA 0 D
FRC1:G3	NA 3 A
FRC1:G4	AA 1 D
FRC1:G4	KC 1 A
FRC1:G5	AA 1 D

INLINE	PAGE
FRC1:G5	CG 2 A
FRC1:G6	AA 1 D
FRC1:G6	GG 1 A
FRC1:G7	AA 1 D
FRC1:G7	CA 0 A
FRC1:G8	AA 2 D
FRC1:G8	CA 1 B
FRC1:G9	AA 2 E
FRC1:G9	IE 1 A
FRC1:G10	AA 3 E
FRC1:G10	IE 0 A
FRC1:G11	AA 3 E
FRC1:G11	IC 2 A
FRC1:G11	ID 1 A
FRC1:G12	AA 3 E
FRC1:G12	HA 0 A
FRC1:G13	AA 3 E
FRC1:G13	NB 2 A
FRC1:G14	AA 4 E
FRC1:G14	FA 2 A
FRC1:G15	AA 4 E
FRC1:G15	DD 4 A
FRC1:G16	AA 4 E
FRC1:G16	NB 1 A
FRC2:A30	DD 2 B
FRC2:A85	DD 2 B
FRC2:A86	DD 2 B
FRC2:A87	DD 2 B
FRC2:B30	GA 3 B
FRC2:B85	GA 3 B
FRC2:B86	GA 3 B
FRC2:B87	GA 3 B
FRC2:C30	GA 3 B
FRC2:C85	GA 3 B
FRC2:C86	GA 3 B
FRC2:C87	GA 3 B
FRC2:D30	FB 0 A
FRC2:D85	FB 0 A
FRC2:D86	FB 0 B
FRC2:D87A	FB 0 B
FRC2:E30	GG 3 B
FRC2:E85	GG 3 B
FRC2:E86	GG 3 B
FRC2:E87	GG 3 B
FRC2:F30	CA 0 B
FRC2:F85	CA 0 B
FRC2:F86	CA 0 B
FRC2:F87	CA 0 B
FRC2:G30	GA 2 C
FRC2:G85	GA 1 C

INLINE	PAGE
FRC2:G86	GA 1 C
FRC2:G87	GA 2 C
FRC2:J30	NB 3 B
FRC2:J85	NB 3 B
FRC2:J86	NB 3 B
FRC2:J87	NB 3 B
FRC2:K30	NB 3 B
FRC2:K85	NB 2 B
FRC2:K86	NB 2 B
FRC2:K87	NB 3 B
FRC2:L30	DD 3 B
FRC2:L85	DD 3 B
FRC2:L86	DD 3 B
FRC2:L87	DD 3 B
FRC2:M30	DD 4 B
FRC2:M85	DD 4 B
FRC2:M86	DD 4 A
FRC2:M87	DD 4 A
FRC2:M87A	DD 4 A
FRC2:N30	DD 2 B
FRC2:N85	DD 2 B
FRC2:N86	DD 2 B
FRC2:N87A	DD 2 B
FRC2:P30	DD 3 B
FRC2:P85	DD 3 B
FRC2:P86	DD 3 B
FRC2:P87	DD 3 B
FRC2:R1	BB 3 B
FRC2:R3	BB 3 B
FRC2:R4	GH 0 B
FRC2:R6	GH 0 B
FRC2:R7	CD 1 A
FRC2:R8	CD 1 B
FRC2:S1	BB 3 B
FRC2:S2	BB 3 B
FRC2:S3	BB 3 B
FRC2:S4	GH 0 B
FRC2:S5	GH 0 B
FRC2:S6	GH 0 B
FRC2:S7	CD 0 A
FRC2:S7	CI 4 B
FRC2:S8	CD 0 B
FRC2:S8	CI 4 B
FRC2:T1	KA 3 B
FRC2:T2	KA 3 B
FRC2:T7	CJ 2 B
FRC2:T8	CJ 2 B
FRC3:A30	GD 0 C
FRC3:A85	GD 0 C
FRC3:A86	GD 0 B

0

1

2

3

4

0

1

2

3

4

INLINES

INLINE	PAGE
FRC3:A87	GD 0 B
FRC3:A87A	GD 0 B
FRC3:B30	GD 1 C
FRC3:B85	GD 1 C
FRC3:B86	GD 1 B
FRC3:B87	GD 1 B
FRC3:B87A	GD 1 B
FRC3:C30	GA 1 A
FRC3:C85	GA 1 A
FRC3:C86	GA 1 B
FRC3:C87A	GA 1 B
FRC3:D30	KC 2 B
FRC3:D85	KC 2 B
FRC3:D86	KC 2 B
FRC3:D87	KC 2 B
FRC3:D87A	KC 2 B
FRC3:E30	AC 2 C
FRC3:E85	AC 2 C
FRC3:E86	AC 2 D
FRC3:E87	AC 2 D
FRC3:F30	AA 2 B
FRC3:F85	AA 1 B
FRC3:F86	AA 1 C
FRC3:F87	AA 2 C
FRC3:F87A	AA 2 C
FRC3:G30	GG 2 B
FRC3:G85	GG 2 B
FRC3:G86	GG 2 B
FRC3:G87	GG 2 B
FRC3:H30	GP 2 B
FRC3:H85	GP 2 B
FRC3:H86	GP 2 C
FRC3:H87	GP 2 C
FRC3:H87A	GP 2 C
FRC3:J30	GP 2 B
FRC3:J85	GP 2 B
FRC3:J86	GP 2 C
FRC3:J87	GP 2 C
FRC3:J87A	GP 2 C
FRC3:K30	GP 3 B
FRC3:K85	GP 3 B
FRC3:K86	GP 3 C
FRC3:K87	GP 3 C
FRC3:K87A	GP 3 C
FRC3:L30	GP 4 B
FRC3:L85	GP 3 B
FRC3:L86	GP 3 C
FRC3:L87	GP 4 C
FRC3:L87A	GP 4 C
FRC3:M30	GQ 3 C

INLINE	PAGE
FRC3:M85	GQ 2 C
FRC3:M86	GQ 2 C
FRC3:M87	GQ 3 C
FRC3:M87A	GQ 3 C
FRC3:N30	FC 1 B
FRC3:N85	FC 1 B
FRC3:N86	FC 1 B
FRC3:N87	FC 1 B
FRC3:P30	FC 2 B
FRC3:P85	FC 2 B
FRC3:P86	FC 2 B
FRC3:P87	FC 2 B
FRC3:R1	GA 4 C
FRC3:R3	GA 4 C
FRC3:R4	BB 4 C
FRC3:R6	BB 4 B
FRC3:R7	HA 1 B
FRC3:R8	HA 1 B
FRC3:S1	GA 4 C
FRC3:S2	GA 4 C
FRC3:S3	GA 4 C
FRC3:S4	BB 4 C
FRC3:S5	BB 4 C
FRC3:S6	BB 4 B
FRC3:S7	BI 1 B
FRC3:S8	BI 1 B
FRC3:T1	CG 2 C
FRC3:T2	CG 2 C
FRC3:T3	NA 1 D
FRC3:T4	NA 1 D
FRC3:T5	NA 1 D
FRC3:T6	NA 1 D
FRC3:T7	GD 4 B
FRC3:T8	GD 4 C
G01_A1:A	AC 3 C
G01_A4:A	AC 3 C
G01_F:A	CJ 4 A
H02DHJ:A	GQ 3 D
HOOKUP_LP:A	NA 2 B
HOOKUP_LP:B	NA 2 B
ILLUM_OPT1:A	BE 4 D
ILLUM_OPT1:B	BE 4 D
ILLUM_OPT2:A	BE 4 D
ILLUM_OPT2:B	BE 4 D
ILLUM_OPT6:A	FD 1 A
ILLUM_OPT6:B	FD 1 C
ILLUM_OPT7:A	FD 1 A
ILLUM_OPT7:B	FD 1 C
ILLUM_OPT:A	NA 2 B
ILLUM_OPT:B	NA 2 B

INLINE	PAGE
IMS:A	AC 3 C
LHCS:A	CD 3 B
LHCS:B	BE 1 B
LHCS:C	CD 4 B
LHCS:D	CJ 2 D
LHCS:E	CD 3 C
LHCS:F	CD 3 B
LHCS:G	CD 2 B
LHCS:H	CD 3 B
LHCS:J	BE 0 B
LHCS:K	CD 4 B
LHCS:L	CJ 2 D
LHCS:M	CD 2 C
LHCS:N	CJ 2 D
LHCS:P	CD 4 C
LHSP:A	CD 2 B
LHSP:B	CD 3 B
MCAF:A	CD 0 A
MCAF:B	CD 1 A
MCCOD:1	CI 0 D
MCCS:A	AC 1 B
MCDPL1:1	IF 2 D
MCDPL1:2	IF 4 D
MCDPL2:1	IE 0 C
MCDPL2:2	IE 0 D
MCDPL3:1	IC 0 D
MCDPL3:2	IE 0 C
MCDPL3:3	IC 0 D
MCDPL3:4	IC 0 D
MCDPL3:5	IC 0 C
MCDPL3:6	IC 0 C
MCDPL4:1	IC 0 D
MCDPL4:2	ID 0 C
MCDPL4:3	ID 0 C
MCDPL4:5	ID 0 C
MCDPL4:6	ID 0 C
MCDPR1:1	IF 2 C
MCDPR1:2	IF 4 C
MCDPR2:1	IE 1 C
MCDPR2:2	IE 2 D
MCDPR3:1	IC 1 D
MCDPR3:2	IC 3 D
MCDPR3:3	ID 4 C
MCDPR3:4	IC 1 D
MCDPR3:5	IC 4 D
MCDPR3:6	IC 4 C
MCDPR3:7	IC 4 C
MCDPR3:8	IC 4 C
MCDPR3:9	IC 4 C
MCDPR3:10	IC 4 C
MCDPR3:11	IC 4 C
MCDPR3:12	IC 4 C
MCDPR3:13	IC 4 C
MCDPR3:14	IC 4 C
MCDPR3:15	IC 4 C
MCDPR3:16	IC 4 C
MCDPR3:17	IC 4 C
MCDPR3:18	IC 4 C
MCDPR3:19	IC 4 C
MCDPR3:20	IC 4 C
MCDPR3:21	IC 4 C
MCDPR3:22	IC 4 C
MCDPR3:23	IC 4 C
MCDPR3:24	IC 4 C
MCDPR3:25	IC 4 C
MCDPR3:26	IC 4 C
MCDPR3:27	IC 4 C
MCDPR3:28	IC 4 C
MCDPR3:29	IC 4 C
MCDPR3:30	IC 4 C
MCDPR3:31	IC 4 C
MCDPR3:32	IC 4 C
MCDPR3:33	IC 4 C

INLINE	PAGE
MCDPR3:3	ID 3 C
MCDPR3:4	IC 1 D
MCDPR3:4	IC 3 D
MCDPR3:4	ID 4 C
MCDPR4:1	IC 1 D
MCDPR4:1	IC 3 D
MCDPR4:1	ID 4 C
MCDPR4:3	IC 4 D
MCDPR4:3	ID 4 C
MCDPR4:5	IC 4 D
MCDPR4:5	ID 4 C
MCDPR4:6	IC 4 D
MCDPR4:6	ID 4 C
MCDSL:A	GH 3 E
MCDSL:B	GH 2 E
MCDSR:A	GH 3 E
MCDSR:B	GH 4 E
MCFC:5	BN 1 C
MCFC:6	BN 1 C
MCFC:7	CD 0 D
MCFC:8	CD 1 D
MCFC:9	DC 0 B
MCFC:10	DC 0 B
MCFC:11	DC 0 B
MCFC:12	DC 0 B
MCFC:13	DC 0 B
MCFC:14	DC 0 B
MCFC:15	DC 2 C
MCFC:16	FB 0 C
MCFC:17	FB 0 D
MCFC:18	XC 1 B
MCFC:18	XC 4 B
MCFC:18	XE 2 B
MCFC:19	XC 2 B
MCFC:19	XC 4 B
MCFC:19	XE 2 C
MCFC:20	BD 1 D
MCFC:21	DC 0 B
MCFC:22	DC 0 B
MCFC:23	DC 1 B
MCFC:24	DC 1 B
MCFC:25	DC 1 B
MCFC:26	DC 1 B
MCFC:27	DC 2 C
MCFC:28	BE 3 B
MCFC:29	BE 3 B
MCFC:30	FB 1 C
MCFC:31	CG 2 D
MCFC:32	CG 1 C
MCFC:33	DC 1 B

INLINE	PAGE
MCFC:34	DC 1 B
MCFC:35	DC 1 B
MCFC:36	DC 1 B
MCFC:37	DC 1 B
MCFC:38	DC 1 B
MCFC:39	FD 1 C
MCFC:40	CD 3 A
MCFC:41	CJ 4 D
MCFC:42	ID 4 D
MCFC:44	CJ 4 D
MCFC:45	DC 2 B
MCFC:46	DC 2 B
MCFC:47	DC 2 B
MCFC:48	DC 2 B
MCFC:49	DC 2 B
MCFC:50	DC 2 B
MCFC:51	FD 1 B
MCFC:52	BE 1 B
MCFC:53	BE 1 B
MCFC:57	DC 2 B
MCFC:58	BE 1 D
MCFC:59	BE 2 E
MCFC:60	HA 0 D
MCFC:61	CJ 4 D
MCFC:62	FB 2 C
MCFC:63	XA 3 D
MCFC:63	XB 4 E
MCFC:64	XA 3 D
MCFC:64	XB 4 D
MCFC:65	EA 1 D
MCFC:65	EC 1 B
MCFC:66	EA 1 D
MCFC:66	EA 1 B
MCFC:67	EA 1 D
MCFC:67	EC 1 B
MCFC:68	EA 1 B
MCFC:68	EC 1 D
MCFC:69	EA 1 B
MCFC:69	EC 1 D
MCFC:70	EA 1 D
MCFC:70	EC 1 B
MCFC:71	EA 1 D
MCFC:71	EC 0 B
MCFC:72	EA 0 D
MCFC:72	EC 0 B
MCFC:73	EA 1 D
MCFC:73	EC 1 B
MCFC:74	EA 1 D
MCFC:74	EC 2 B
MCFC:75	EA 1 B

0

1

2

3

4

INLINES

INLINE	PAGE
MCFC:75	EC 1 D
MCFC:76	EA 1 B
MCFC:76	EC 1 D
MCFC:77	EA 2 D
MCFC:77	EC 1 B
MCFC:78	EA 0 D
MCFC:78	EC 1 B
MCFC:79	EA 1 B
MCFC:79	EC 0 D
MCFC:80	EA 1 B
MCFC:80	EC 0 D
MCFC:81	EA 1 B
MCFC:81	EC 1 D
MCFC:82	EA 0 B
MCFC:82	EC 1 D
MCFC:83	EA 0 A
MCFC:83	EC 0 D
MCFC:84	EA 0 D
MCFC:84	EC 0 B
MCFC:85	EA 1 A
MCFC:85	EC 1 D
MCFC:86	EA 1 D
MCFC:86	EC 2 B
MCFC:87	EA 4 E
MCFC:87	EC 3 C
MCFC:88	EA 3 E
MCFC:88	EC 3 C
MCFC:89	EA 2 D
MCFC:89	EC 3 C
MCFC:90	EA 2 D
MCFC:90	EC 3 C
MCFC:91	EA 3 D
MCFC:91	EC 3 C
MCFC:92	EA 3 D
MCFC:92	EC 3 C
MCFC:93	EA 2 D
MCFC:93	EC 3 C
MCFC:94	EA 2 D
MCFC:94	EC 3 C
MCFC:95	EA 3 D
MCFC:95	EC 3 C
MCFC:96	EA 3 D
MCFC:96	EC 3 C
MCFC:97	CA 1 B
MCFC:98	GA 0 D
MCFC:99	CH 0 B
MCFC:100	AC 2 D
MCFC:102	BB 1 C
MCFC:103	CJ 3 D
MCFC:104	CJ 3 D

INLINE	PAGE
MCFC:105	GF 2 B
MCFC:106	GF 1 B
MCFC:107	BE 0 D
MCFC:108	BE 0 D
MCFC:109	GA 3 D
MCFC:110	BE 1 D
MCFC:110	CJ 2 B
MCFC:111	CA 0 B
MCFC:114	FB 3 D
MCFC:115	CG 2 C
MCFC:116	CJ 3 B
MCFC:121	CD 2 B
MCFC:122	CD 3 B
MCFC:124	CA 0 B
MCFC:125	CC 1 B
MCFC:126	NB 3 C
MCFC:127	FA 2 B
MCFC:128	KA 4 C
MCFC:A	CG 1 B
MCFC:B	CG 1 B
MCFC:C	CG 1 B
MCFC:D	CG 1 A
MCHVAC1:1	HA 2 D
MCHVAC1:3	HA 2 D
MCHVAC1:5	HA 2 D
MCHVAC1:6	HA 2 D
MCHVAC1:7	HA 2 D
MCHVAC1:8	HA 1 D
MCHVAC1:10	HA 1 D
MCHVAC2:1	HA 2 D
MCHVAC2:2	HA 2 D
MCHVAC2:3	HA 2 D
MCHVAC2:4	HA 2 D
MCHVAC2:5	HA 2 D
MCHVAC2:6	HA 3 D
MCHVAC2:7	HA 3 D
MCHVAC2:8	HA 3 D
MCHVAC2:9	HA 3 D
MCHVAC2:10	HA 3 D
MCHVAC2:11	HA 3 D
MCHVAC2:12	HA 3 D
MCHVAC3:A	HA 0 C
MCHVAC3:B	HA 0 D
MCHVAC3:C	HA 0 C
MCHVAC3:D	HA 0 D
MCHVAC:A	AB 4 C
MCHVAC:B	AB 4 C
MCMD:1	CI 4 C
MCMD:2	CI 2 D
MCMD:3	CI 1 B

INLINE	PAGE
MCMD:4	CI 1 B
MCMIR:A	IC 0 B
MCMIR:A	IC 0 B
MCMIR:A	ID 2 A
MCMIRMEM:A	ID 2 A
MCPM1:A	IC 0 C
MCPM1:A	ID 2 C
MCPM1:B	IC 0 C
MCPM1:B	ID 2 C
MCPM1:C	IC 0 C
MCPM1:C	ID 2 C
MCPM1:D	IC 1 C
MCPM1:D	ID 3 C
MCPM1:E	IC 1 C
MCPM1:E	ID 3 C
MCPM1:F	IC 1 C
MCPM1:F	ID 3 C
MCPM1:G	ID 2 C
MCPM1:H	ID 2 C
MCPM1:J	ID 2 C
MCPM1:K	ID 2 C
MCPM2:A	IC 2 C
MCPM2:A	ID 1 C
MCPM2:B	IC 2 D
MCPM2:B	ID 1 D
MCPM2:C	IC 1 C
MCPM2:C	ID 3 C
MCPM2:D	ID 2 C
MCPM2:E	ID 4 E
MCPSC1:A	BE 0 C
MCPSC1:B	BE 0 C
MCPSC1:C	BE 0 C
MCPSC1:D	BE 0 C
MCPSC1:E	BE 1 C
MCPSC1:F	BE 1 C
MCPSC1:G	BE 1 C
MCPSC1:H	BE 1 C
MCPSC1:J	BE 1 C
MCPSC1:K	BE 1 C
MCPSC1:L	BE 1 C
MCPSC1:M	BE 2 C
MCPSC1:N	BE 2 C
MCPSC1:P	BE 2 C
MCPSC1:R	BE 2 C
MCPSC1:S	BE 2 C
MCPSC2:A	BE 2 D
MCPSC2:B	BE 2 D
MCPSC2:C	BE 0 D
MCPSC2:D	BE 2 C
MCPSC2:E	BE 2 C

INLINE	PAGE
MCPSC2:F	BE 2 C
MCPSC2:G	BE 2 D
MCPSC2:H	BE 2 D
MCPSC2:J	BE 2 D
MCPSC2:K	BE 2 D
MCPSC2:L	BE 2 D
MCPSC2:M	BE 3 D
MCPSC2:N	BE 2 C
MCPSC2:P	BE 1 C
MCPSC2:R	BE 0 D
MCPSC2:S	BE 0 D
MCPSC3:A	BE 3 D
MCPSC3:B	BE 3 D
MCPSC3:C	BE 0 D
MCPSC3:D	BE 1 D
MCPSC3:E	BE 1 D
MCPSC3:F	BE 1 D
MCPSC3:G	BE 1 D
MCPSC3:H	BE 1 D
MCPSC3:J	BE 1 D
MCPSC3:K	BE 1 D
MCPSC3:L	BE 1 D
MCPSC3:M	BE 2 C
MCPSC3:N	BE 3 C
MCPSC3:P	BE 3 C
MCRC:A	KC 3 B
MCRC:B	KC 2 C
MCRC:C	KC 1 B
MCRC:D	KC 3 D
MCRC:E	KC 2 D
MCRC:F	KC 1 D
MCRF1:A	GH 4 C
MCRF1:B	GH 2 C
MCRF1:C	GH 3 C
MCRF1:D	GH 3 B
MCRF1:E	KA 2 D
MCRF1:F	KA 2 D
MCRF1:G	KA 2 D
MCRF1:H	KA 2 D
MCRF2:A	GA 0 D
MCRF2:B	GA 3 D
MCRF2:C	GD 2 D
MCRF2:D	GD 4 D
MCRF2:E	GD 4 D
MCRF3:A	KA 1 D
MCRF3:B	KA 1 D
MCRF3:C	KA 1 D
MCRFAC:1	HB 0 C
MCRFC:A	BY 1 B
MCRFC:B	BY 1 B

INLINE	PAGE
MCRFC:C	BY 2 C
MCRFC:D	BY 2 C
MCRFC:E	BY 1 D
MCRFC:F	BY 1 D
MCRFC:G	BY 2 D
MCRFC:H	BY 2 D
MCRFC:J	BY 2 D
MCRFC:K	BY 2 D
MCRP170A:2	BN 2 B
MCRP170A:3	BP 0 C
MCRP170A:5	BN 2 B
MCRP170A:6	BN 3 B
MCRP170A:7	BN 3 B
MCRP170A:13	BN 3 B
MCRP170A:14	BN 3 B
MCRRM:A	KA 4 C
MCS01:1	FB 0 B
MCS01:2	AC 0 B
MCS01:3	AC 0 B
MCS01:7	AC 0 C
MCS01:8	AC 0 C
MCS01:9	BA 3 B
MCS01:10	BA 3 C
MCS01:11	BA 3 D
MCS01:12	BB 0 A
MCS01:13	BB 0 B
MCS01:14	BD 1 B
MCS01:15	BD 1 C
MCS01:16	DD 1 A
MCS01:17	DD 1 B
MCS01:18	DD 1 B
MCS01:19	DD 1 B
MCS01:20	EA 2 A
MCS01:20	EC 3 A
MCS01:21	EA 2 B
MCS01:21	EC 3 B
MCS01:22	FB 2 B
MCS01:23	FB 1 B
MCS01:24	FB 2 C
MCS01:25	FB 4 C
MCS01:26	FC 1 B
MCS01:27	FC 1 C
MCS01:28	GA 0 B
MCS01:29	GD 4 A
MCS01:30	GD 4 B
MCS01:31	GA 1 C
MCS01:32	GH 2 C
MCS01:33	GH 3 C
MCS01:34	GA 0 B
MCS01:35	GH 4 C

0

1

2

3

4

0

1

2

3

4

INLINES

INLINE	PAGE
MCS01:36	GH 4 B
MCS01:37	ID 1 B
MCS01:38	GH 3 D
MCS01:39	GP 0 B
MCS01:40	GP 0 B
MCS01:41	GP 1 C
MCS01:42	GP 1 C
MCS01:43	ID 2 C
MCS01:44	ID 2 B
MCS01:45	IF 1 D
MCS01:46	IF 1 B
MCS01:47	IF 1 B
MCS02:1	GH 2 D
MCS02:2	GH 1 E
MCS02:3	GH 1 E
MCS02:4	GH 1 E
MCS02:5	GA 0 B
MCS02:6	GA 0 C
MCS02:7	GA 0 C
MCS02:8	IC 2 B
MCS02:8	ID 1 B
MCS02:9	IC 2 C
MCS02:9	ID 1 B
MCS02:10	IE 0 B
MCS02:11	IE 0 C
MCS02:12	IE 0 C
MCS02:13	IE 1 B
MCS02:14	IE 2 A
MCS02:15	IE 2 C
MCS02:16	IE 2 C
MCS02:17	IC 1 C
MCS02:17	ID 3 B
MCS02:18	IC 0 C
MCS02:18	ID 2 B
MCS02:19	IC 1 C
MCS02:19	ID 3 B
MCS02:20	IC 0 C
MCS02:20	ID 2 B
MCS02:21	IC 0 C
MCS02:21	ID 2 B
MCS02:22	IC 0 B
MCS02:22	ID 2 A
MCS02:23	FB 0 C
MCS02:24	FB 1 C
MCS02:25	IC 1 C
MCS02:25	ID 3 B
MCS02:27	IC 1 C
MCS02:27	ID 3 B
MCS02:29	BD 2 C
MCSSC1:A	BG 0 B

INLINE	PAGE
MCSSC1:B	BG 0 B
MCSSC1:C	BG 0 B
MCSSC1:D	BG 0 B
MCSSC1:E	BG 0 B
MCSSC1:F	BG 0 B
MCSSC1:G	BG 1 B
MCSSC1:H	BG 1 B
MCSSC1:J	BG 1 B
MCSSC1:K	BG 1 B
MCSSC1:L	BG 1 B
MCSSC1:M	BG 2 B
MCSSC1:N	BG 2 B
MCSSC1:P	BG 2 B
MCSSC1:R	BG 2 B
MCSSC1:S	BG 2 B
MCSSC2:A	BG 2 D
MCSSC2:B	BG 2 D
MCSSC2:C	BG 0 D
MCSSC2:D	BG 2 B
MCSSC2:E	BG 2 B
MCSSC2:F	BG 2 B
MCSSC2:G	BG 2 D
MCSSC2:H	BG 2 D
MCSSC2:J	BG 2 D
MCSSC2:K	BG 2 D
MCSSC2:L	BG 2 D
MCSSC2:M	BG 2 D
MCSSC2:N	BG 2 B
MCSSC2:P	BG 1 B
MCSSC2:R	BG 3 B
MCSSC2:S	BG 3 B
MCTL:A	GF 2 C
MCTL:B	GF 1 C
MCTL:C	GF 1 C
MCTL:D	GF 2 C
MCTL:E	GF 2 D
MCWB1:A	GP 0 C
MCWB1:B	GP 0 C
MCWB2:A	BE 3 B
MCWB2:B	BE 3 A
PPCO:A	FD 1 B
PPCO:B	FD 1 B
PPCO:C	FD 0 C
PSCTS:A	GA 2 B
PSCTS:A	GA 2 B
PSCTS:B	GA 2 B
PSCTS:C	GA 2 B
PSCTS:D	GA 2 B
PSCTS:D	GA 3 B
PSCTS:E	GA 3 C

INLINE	PAGE
PSCTS:F	GA 2 D
PSCTS:G	GA 3 D
PSCTS:G	GA 3 D
PSCTS:H	GA 3 D
PSCTS:H	GA 3 C
PSCTS:J	GQ 2 B
PSCTS:K	GQ 0 C
RC1:A1	BA 1 B
RC1:A3	BA 1 B
RC1:A4	GA 3 D
RC1:A6	GA 2 D
RC1:A7	DE 2 B
RC1:A9	DE 2 B
RC1:B1	BA 1 B
RC1:B2	BA 1 B
RC1:B3	BA 1 B
RC1:B4	GA 3 D
RC1:B5	GA 2 D
RC1:B6	GA 3 D
RC1:B7	DE 2 B
RC1:B8	DE 2 B
RC1:B9	DE 2 B
RC1:C1	GH 0 B
RC1:C2	GH 1 B
RC1:C3	GH 0 B
RC1:C4	GH 1 B
RC1:C5	GH 1 B
RC1:C6	GH 1 B
RC1:C7	BB 1 B
RC1:C9	BB 1 A
RC1:D1	GH 0 B
RC1:D3	GH 0 B
RC1:D4	GH 1 B
RC1:D6	GH 1 B
RC1:D7	BB 1 B
RC1:D9	BB 1 A
RC2:A1	GD 0 A
RC2:A3	GD 0 B
RC2:A4	GD 1 B
RC2:A6	GD 2 B
RC2:A7	NA 0 C
RC2:A9	NA 0 D
RC2:B1	GD 0 A
RC2:B2	GD 0 B
RC2:B3	GD 0 B
RC2:B4	GD 2 B
RC2:B5	GD 1 B
RC2:B6	GD 1 B
RC2:B7	NA 0 C
RC2:B8	NA 0 D

INLINE	PAGE
RC2:B9	NA 0 D
RC2:C2	DE 1 C
RC2:C3	DE 1 B
RC2:C4	DE 0 C
RC2:C5	DE 0 C
RC2:C6	DE 0 B
RC2:C7	GA 1 D
RC2:C9	GA 1 C
RC2:D1	DE 1 C
RC2:D3	DE 1 B
RC2:D4	DE 0 C
RC2:D6	DE 0 B
RC2:D7	GA 1 D
RC2:D9	GA 1 C
RC6:A1	HA 0 C
RC6:A3	HA 0 C
RC6:A7	BD 3 D
RC6:A9	BD 3 D
RC6:B1	HA 0 C
RC6:B3	HA 0 C
RC6:B7	BD 3 D
RC6:B9	BD 3 D
RC6:C1	GD 3 C
RC6:C3	GD 3 B
RC6:C4	CD 0 C
RC6:C5	CI 0 C
RC6:C6	CD 0 C
RC6:C6	CI 0 C
RC6:C7	CD 1 C
RC6:C7	CI 0 B
RC6:C9	CD 1 C
RC6:C9	CI 0 A
RC6:D1	GD 3 C
RC6:D3	GD 3 B
RC6:D4	CD 0 C
RC6:D4	CI 0 C
RC6:D6	CD 0 C
RC6:D6	CI 0 C
RC6:D7	CD 1 C
RC6:D7	CI 0 B
RC6:D9	CD 1 C
RC6:D9	CI 0 A
RCOLAY:1	BY 2 D
RCOLAY:2	BY 2 D
RCOLAY:3	BY 2 D
RCOLAY:4	BY 2 D
RCOLAY:5	BY 1 C
RCOLAY:6	BY 1 D
RFHL:A	GH 4 B
RFHL:B	GH 2 B

INLINE	PAGE
RFHL:C	GH 3 B
RFHL:D	GH 3 B
RFHL:E	KA 2 D
RFHL:F	KA 2 D
RFHL:G	KA 2 D
RFHL:H	KA 2 D
RFMIC:A	KA 2 C
RFMIC:B	KA 2 C
RLY35:30	HA 0 B
RLY35:85	HA 0 B
RLY35:86	HA 0 B
RLY35:87	HA 0 B
RLY89:30	HA 1 C
RLY89:85	HA 1 C
RLY89:86	HA 1 C
RLY89:87	HA 1 C
SP_BAT1:A	NA 3 B
SP_FUSE:A	NA 1 C
SP_FUSE:B	NA 1 D
SP_FUSE:C	NA 1 C
SP_FUSE:D	NA 1 D
SP_IGN1:A	NA 3 B
SP_IGN1:B	NA 3 B
SP_IGN2:A	NA 4 B
SP_RLY:A	NA 0 C
SP_RLY:B	NA 0 D
SP_RLY:C	NA 0 D
SP_RLY:D	NA 0 D
SP_RLY:E	NA 0 C
SSCTS:A	GH 0 C
SSCTS:B	GH 0 C
SSCTS:C	GH 0 C
SSCTS:D	GH 0 C
SSCTS:E	GH 0 C
SSCTS:F	GH 0 E
SSCTS:G	GH 1 D
SSCTS:H	GH 1 D
SSCTS:J	GQ 2 C
SSCTS:K	GQ 1 C
TLBU:A	GF 3 C
TLBU:B	GF 3 C
TRPTO:A	FD 2 B
TRPTO:B	FD 1 C
TRPTO:C	FD 1 E
WL:A	GD 0 B
WL:B	GD 1 B
WL:C	GD 1 D

0

1

2

3

4

SPLICES

SPLICE	PAGE
SPCA11 (T)	BE 3 C
SPCA11 (T)	BG 3 B
SPCA11 (T)	GD 2 B
SPCA15 (T)	BE 1 B
SPCB1 (T)	BA 1 D
SPCB10 (T)	BB 3 C
SPCB11 (T)	BA 4 E
SPCB13A (T)	BB 2 B
SPCB13A5 (T)	BB 3 B
SPCB13A11 (T)	BB 2 B
SPCB16 (T)	CD 1 C
SPCB19 (T)	BB 2 C
SPCB19D (S)	DE 3 B
SPCB19E (S)	DE 2 B
SPCB19F (T)	DE 3 D
SPCB19G (T)	BQ 3 C
SPCB22 (T)	BB 3 C
SPDL1H (S)	XA 3 E
SPDL1H1 (S)	XA 3 D
SPDL1H1 (S)	XB 4 D
SPDL1H2 (S)	XA 3 D
SPDL1H2 (S)	XB 4 D
SPDL1H3 (S)	XA 3 B
SPDL1H3 (S)	XB 4 C
SPDL1H4 (S)	XA 3 B
SPDL1H4 (S)	XB 4 B
SPDL1H5 (S)	XA 3 B
SPDL1H5 (S)	XB 4 B
SPDL1H6 (S)	XA 3 B
SPDL1H6 (S)	XB 4 B
SPDL1H7 (S)	XA 3 C
SPDL1H7 (S)	XB 4 C
SPDL1H8 (S)	XB 4 A
SPDL1HN10 (S)	XB 3 E
SPDL1HN12 (S)	XB 3 E
SPDL1HN14 (S)	XB 2 E
SPDL1L (S)	XA 3 E
SPDL1L1 (S)	XA 3 D
SPDL1L1 (S)	XB 4 D
SPDL1L2 (S)	XA 3 C
SPDL1L2 (S)	XB 4 D
SPDL1L3 (S)	XA 3 C
SPDL1L3 (S)	XB 4 C
SPDL1L4 (S)	XA 3 B
SPDL1L4 (S)	XB 4 B
SPDL1L5 (S)	XA 3 B
SPDL1L5 (S)	XB 4 B
SPDL1L6 (S)	XA 3 B
SPDL1L6 (S)	XB 4 B
SPDL1L7 (S)	XA 3 C

SPLICE	PAGE
SPDL1L7 (S)	XB 4 C
SPDL1L8 (S)	XB 4 B
SPDL1LN10 (S)	XB 3 E
SPDL1LN12 (S)	XB 3 E
SPDL1LN14 (S)	XB 2 E
SPDL2H1 (S)	CH 2 B
SPDL2H2 (S)	XC 1 B
SPDL2H3 (S)	XC 1 C
SPDL2H4 (S)	XC 1 C
SPDL2H5 (S)	XC 1 D
SPDL2H6 (S)	XC 4 C
SPDL2L1 (S)	CH 2 B
SPDL2L2 (S)	XC 2 B
SPDL2L3 (S)	XC 2 C
SPDL2L4 (S)	XC 2 C
SPDL2L5 (S)	XC 2 D
SPDL2L6 (S)	XC 4 C
SPDL4H (S)	BY 2 C
SPDL4H (S)	XD 2 B
SPDL4L (S)	BY 2 C
SPDL4L (S)	XD 2 B
SPDL5H101 (S)	BY 1 C
SPDL5H102 (S)	BY 1 B
SPDL5L101 (S)	BY 1 C
SPDL5L102 (S)	BY 1 B
SPDL7H1 (S)	CA 3 C
SPDL7L1 (S)	CA 3 C
SPDL10H1 (S)	XE 2 B
SPDL10H2 (S)	XE 1 B
SPDL10L1 (S)	XE 3 C
SPDL10L2 (S)	XE 1 C
SPECHA1 (S)	CJ 2 D
SPECKA1 (S)	CJ 2 D
SPEMA28A1 (S)	CH 3 C
SPEMA49A (S)	CA 2 C
SPEMA54A1 (S)	CH 1 C
SPEMA59A1 (S)	CH 3 D
SPEMA62A (S)	CH 2 D
SPF2B (T)	GA 1 B
SPF2C (T)	GA 0 C
SPF2G (T)	GD 2 C
SPF2H (T)	GD 2 C
SPF3B (T)	GA 0 C
SPF3B7 (S)	GF 1 B
SPF3B8 ()	GF 1 C
SPF3B20 (S)	GA 0 C
SPF3C (T)	GA 0 D
SPF3D (T)	GD 3 A
SPF3F (T)	BE 1 A
SPF3F (T)	BG 1 A

SPLICE	PAGE
SPF3F (T)	CG 1 A
SPF3F (T)	DE 0 D
SPF3F (T)	GH 4 A
SPF3F (T)	KA 3 B
SPF3F (T)	NA 2 A
SPF3F1 (T)	BA 2 A
SPF3F69 (T)	FD 0 A
SPF3F74 (T)	BE 4 D
SPF3F100 (S)	DD 2 B
SPF3F100 (S)	FB 1 B
SPF3F100 (S)	FC 0 B
SPF3F100 (S)	GD 4 A
SPF3F100 (S)	GH 3 C
SPF3F100 (S)	ID 2 A
SPF3F100 (S)	IE 2 B
SPF3F100 (S)	IF 1 C
SPF3F110 (T)	BE 1 A
SPF3F110 (T)	DD 0 B
SPF3F116 (T)	BG 1 A
SPF3F200 (S)	BA 3 B
SPF3F200 (S)	BD 2 B
SPF3F200 (S)	EA 3 A
SPF3F200 (S)	EC 3 A
SPF3F200 (S)	GA 1 B
SPF3F200 (S)	GH 3 C
SPF3F200 (S)	GP 0 B
SPF3F200 (S)	IC 2 B
SPF3F200 (S)	ID 1 A
SPF3F200 (S)	IE 0 B
SPF3G (T)	GA 0 A
SPF3H (T)	GA 2 B
SPF3J (T)	GA 0 C
SPF3K (T)	GA 0 D
SPF3M (S)	GD 4 B
SPF4B (T)	GA 2 B
SPF4B3 (S)	GH 2 D
SPF4B3C (S)	GH 2 E
SPF4C (T)	GD 3 C
SPF4D (T)	GD 4 C
SPF4E (T)	GD 4 C
SPF4F (T)	GD 2 C
SPF4G (T)	GD 3 D
SPF4H (T)	GD 3 C
SPF5A (T)	GA 4 B
SPF5A1 (S)	GA 4 B
SPF5B (T)	GA 4 C
SPF5B1 (S)	GA 4 C
SPF5B5 (T)	GA 4 C
SPF5D1 (S)	GF 2 B
SPF5E1 (S)	GF 1 B

SPLICE	PAGE
SPF6A (T)	GH 3 B
SPF6D (T)	GH 4 B
SPF6E (S)	GH 3 D
SPF6E3 (T)	GH 3 E
SPF7A (T)	AC 0 B
SPF7C (T)	AC 1 B
SPF7D (T)	AC 1 C
SPF7D (T)	XB 1 C
SPF7D8A2 (S)	CD 3 B
SPF7D10 (T)	CI 0 C
SPF7G (T)	BF 2 B
SPF8A (T)	FB 2 B
SPF8A2 (S)	FB 3 B
SPF8B (T)	FB 4 D
SPF9B (T)	KC 2 B
SPF9D (T)	GA 2 D
SPF9D2 (S)	GA 3 D
SPF10A (T)	KA 3 B
SPF10A (T)	XA 2 B
SPF10A (T)	XB 2 B
SPF10C (T)	KA 3 C
SPF11A (T)	BY 1 B
SPF11A (T)	GG 1 B
SPF15A (T)	FC 1 B
SPF15B (T)	FC 2 C
SPF16A (T)	BA 0 B
SPF17A (T)	BA 2 B
SPF17C (T)	BA 1 D
SPF17D (T)	BA 1 C
SPF17E (T)	BA 2 C
SPF18A (T)	BC 2 B
SPF19 (T)	BE 0 B
SPF19 (T)	BG 0 B
SPF20A (T)	IC 0 A
SPF20A (T)	ID 2 A
SPF21A (T)	GP 4 B
SPF22A (T)	GP 2 B
SPF23A (T)	GP 0 B
SPF23C (T)	GP 2 A
SPF23D (T)	GP 2 B
SPF25A (T)	HA 0 A
SPF25B (T)	HA 1 B
SPF27A (T)	GG 1 B
SPF27A (T)	HB 0 B
SPF27A4 (T)	CG 1 C
SPF29B (T)	AA 2 C
SPF30B (T)	FC 1 C
SPF31A (T)	DD 3 A
SPF31A9 (T)	DD 0 A
SPF31B (T)	DE 0 B

SPLICE	PAGE
SPF31C (T)	DD 2 B
SPF33B (T)	GG 3 C
SPF34A (T)	NB 3 B
SPF34B (T)	NB 3 C
SPF34B1 (S)	GF 2 B
SPF34B10 ()	GF 2 C
SPF35B (T)	GA 2 C
SPF35C (S)	GA 3 D
SPF35C1 (S)	GA 4 D
SPF35C3 (S)	GA 3 D
SPF36D (T)	GQ 1 B
SPF36D1 (T)	GQ 1 C
SPF37B (T)	GG 2 B
SPF38A (T)	CA 0 B
SPF38A4 (S)	CA 0 C
SPF39A (T)	GG 1 B
SPF41A (T)	CG 2 C
SPF42B (T)	DD 4 C
SPF43A (S)	CA 1 C
SPF44A (S)	FA 2 A
SPF45A (T)	NB 2 D
SPF47A (T)	NA 3 B
SPF52A (T)	HA 0 B
SPF54A (T)	GD 3 B
SPF55B (T)	IC 1 D
SPF55B (T)	ID 1 C
SPF58A (T)	BB 3 A
SPF58A8 (T)	BI 1 B
SPF60A (S)	CJ 3 B
SPF61A (T)	NB 0 B
SPF62B (S)	CH 0 B
SPF63 (T)	BE 0 B
SPF66A (T)	KA 1 B
SPF66A (T)	NA 4 A
SPF67B (T)	IF 4 C
SPF67C (T)	IF 2 C
SPF72A (T)	KA 3 B
SPF81A (T)	CI 4 C
SPF81A1 (T)	CI 3 C
SPF82A (S)	BI 1 C
SPF91A (T)	CD 0 B
SPF92A (T)	CD 1 B
SPF144A ()	FA 4 B
SPFAA2 (S)	CJ 4 B
SPGC3A1 (T)	HA 1 B
SPHAB11 (T)	BE 2 B
SPHBA8 (T)	BE 2 D
SPHBA8C (T)	BG 2 D
SPHBA9 (T)	BE 2 D
SPHBA9C (T)	BG 2 D

A

A

B

B

C

C

D

D

E

E

SPLICES

SPLICE	PAGE
SPHBB8 (T)	BE 2 D
SPHBB8C (T)	BG 2 D
SPHBB9 (T)	BE 3 D
SPHBB9C (T)	BG 2 D
SPN101 (T)	BP 2 C
SPN103 (T)	DD 2 C
SPN103B (T)	BB 0 B
SPN103D (T)	DE 1 C
SPN105B (T)	BH 1 C
SPN105B (T)	BP 2 C
SPN110 (T)	DD 1 B
SPN110A (T)	DD 1 C
SPN112 (T)	DC 2 C
SPN113 (T)	BB 1 B
SPN117 (T)	DD 2 C
SPN117B (T)	DE 1 B
SPN123 (T)	DD 0 C
SPN124CM (T)	DD 2 C
SPN130CM (T)	BP 1 C
SPN131 (S)	DC 1 C
SPN134 (T)	DD 1 D
SPN142 (T)	DD 1 C
SPN145 (T)	DD 3 C
SPN158 (T)	DC 2 C
SPN158A (S)	DC 2 D
SPN163 (T)	DD 1 C
SPN163B (T)	DD 2 A
SPN163E (S)	FD 1 C
SPN163F ()	FD 3 C
SPN163G (S)	FD 2 C
SPN165 (T)	DD 3 C
SPN201 (T)	DD 2 A
SPNA23 (T)	BE 3 B
SPNA24 (T)	BE 3 B
SPURDF (S)	CD 1 A
SPX1A (S)	AD 3 D
SPX1A (S)	BE 0 C

SPLICE	PAGE
SPX1A (S)	CG 1 C
SPX1A (S)	CI 1 C
SPX1A (S)	FC 1 D
SPX1A3 (S)	AD 1 C
SPX1E9 (T)	EA 0 A
SPX1M (T)	AD 3 C
SPX2A1 (T)	AD 3 C
SPX2A1 (T)	BA 3 C
SPX2A1 (T)	DE 0 D
SPX2A2 (T)	DE 0 D
SPX2A3 (T)	AD 3 C
SPX2A3 (T)	BA 0 C
SPX2A3 (T)	DD 0 E
SPX2A4 (T)	GD 2 B
SPX2A4 (T)	GP 2 E
SPX2A6 (T)	AD 3 C
SPX2A6 (T)	NA 2 B
SPX2A33 (T)	AD 3 D
SPX2A42 (S)	GA 1 E
SPX2A42 (S)	GD 4 D
SPX2A74 (T)	BE 4 D
SPX2A104 (T)	FD 0 C
SPX2A121 (S)	DD 1 B
SPX2A121 (S)	FB 1 D
SPX2A121 (S)	FC 0 C
SPX2A121 (S)	GD 4 B
SPX2A121 (S)	GH 3 D
SPX2A121 (S)	ID 2 B
SPX2A121 (S)	IE 2 B
SPX2A121 (S)	IF 1 D
SPX2A200 (S)	BA 3 C
SPX2A200 (S)	BD 2 C
SPX2A200 (S)	EA 3 B
SPX2A200 (S)	EC 3 B
SPX2A200 (S)	GA 1 C
SPX2A200 (S)	GH 3 D
SPX2A200 (S)	GP 0 C

SPLICE	PAGE
SPX2A200 (S)	IC 2 C
SPX2A200 (S)	ID 1 B
SPX2A200 (S)	IE 1 C
SPX2B (T)	AD 3 B
SPX2B1 (T)	AD 3 B
SPX2B1 (T)	BD 1 B
SPX2B1 (T)	EA 2 A
SPX2B1 (T)	EC 3 A
SPX2B1 (T)	IE 2 A
SPX2B2 (T)	AA 2 E
SPX2B2 (T)	AB 3 D
SPX2B2 (T)	AD 3 B
SPX2B2 (T)	BE 3 A
SPX2B2 (T)	BY 3 D
SPX2B2 (T)	GP 3 E
SPX2B2 (T)	KA 2 D
SPX2B3 (T)	AD 3 B
SPX2B3 (T)	GA 2 D
SPX2B3 (T)	GQ 0 D
SPX2B3 (T)	NA 3 C
SPX2C (T)	KC 2 D
SPX2D16 (S)	GD 1 D
SPX2G4 (S)	BE 1 E
SPX2G10 (S)	BE 0 E
SPX2G13 (S)	BE 4 C
SPX2N109B (S)	FD 1 D
SPX2N109F (S)	FD 3 D
SPX3A (T)	AD 3 B
SPX3A1 (T)	AD 3 B
SPX3A1 (T)	CA 0 B
SPX3A1 (T)	DD 2 C
SPX3A1 (T)	FB 0 B
SPX3A1 (T)	GA 1 D
SPX3A1 (T)	NB 3 C
SPX3A2 (T)	AC 2 D
SPX3A2 (T)	AD 3 B
SPX3A2 (T)	FC 1 C

SPLICE	PAGE
SPX3A2 (T)	GA 4 D
SPX3B (T)	AD 3 A
SPX3B (T)	BA 3 E
SPX3B (T)	BE 1 B
SPX3B (T)	BG 2 B
SPX3B (T)	BP 1 B
SPX3B (T)	EA 2 B
SPX3B (T)	EC 2 B
SPX3B2 (T)	AD 3 A
SPX3B2 (T)	BA 4 D
SPX3B2 (T)	DD 0 C
SPX3B2 (T)	AD 3 A
SPX3B3 (T)	BG 1 A
SPX3B4 (T)	BG 2 A
SPX3C (T)	AD 3 B
SPX3C (T)	BG 0 B
SPX3C (T)	GH 4 E
SPX3C (T)	GQ 1 D
SPX3H (T)	AD 3 A
SPX3H (T)	GD 4 E
SPX4A (T)	AD 3 D
SPX4A (T)	BE 1 B
SPX4A (T)	CI 2 D
SPX4A (T)	FB 0 D
SPX4A (T)	IC 2 D
SPX4A (T)	ID 1 D
SPX4A2 (T)	AD 4 D
SPX4A2 (T)	HA 0 C
SPX4A3 (T)	IC 1 D
SPX4A3 (T)	ID 3 D
SPX4A5 (T)	BE 1 B
SPX4A6 (T)	BE 3 A
SPX4A17 (T)	AD 4 D
SPX4A17 (T)	BB 1 B
SPX4A17 (T)	GA 2 D
SPX4A17 (T)	NB 1 C
SPX4A18 (T)	CI 2 C

SPLICE	PAGE
SPX4B (T)	AD 3 D
SPX4B (T)	GD 2 E
SPX4C (T)	AD 3 D
SPX4C (T)	GD 4 E
SPX4C (T)	GH 2 E
SPX4C (T)	KA 1 D
SPX4D (T)	AD 3 D
SPX4D (T)	XA 1 D
SPX4D (T)	XB 2 D
SPX71D1 (S)	CJ 4 B
SPXA1 (S)	AD 1 B
SPXF1A1 (S)	AD 1 C
SPXF1A1 (S)	CD 0 E
SPXF1A1 (S)	FB 0 E
SPXF1A1 (S)	HA 0 E
SPXF1A2 (S)	AD 1 C
SPXF1A2 (S)	FD 2 E
SPXF1A2 (S)	GA 4 D
SPXF1A2 (S)	GF 2 B
SPXF1A3 ()	GF 2 D
SPXF1A11 (S)	FB 2 E
SPXF1A11 (S)	GF 1 E
SPXF1A11A2 (S)	GF 2 D
SPXF1A14 (S)	AD 0 C
SPXF1A14 (S)	FA 2 E
SPXF1A14 (S)	GF 2 E
SPXF1A15 (S)	CG 1 E
SPXF1A15 (S)	GF 2 D
SPXF1A17 (S)	CG 1 D
SPXF1A24 ()	FA 4 C
SPXF1C (S)	AD 1 C
SPXF1C1 (S)	AD 1 C
SPXF1C1 (S)	CA 2 C
SPXF1C2 (S)	AD 1 C
SPXF1C2 (S)	CA 2 C
SPXF1C2 (S)	CH 4 C
SPXN109J (S)	FD 2 D

0

1

2

3

4

SHELLS

REF	PAGE
A03	BE 0 D
A03 Z	CG 1 B
A03D	BE 3 D
A03E	BE 3 E
A06R1 Climate Control v1 v1	HB 0 D
A12A	EA 0 C
A12B	EC 0 C
A17	AC 2 A
A17	BA 1 D
A17	BC 1 D
A17	BD 2 D
A17	BQ 0 B
A17	GD 2 A
A17	HA 0 D
A19EP	DD 0 E
A19ES	DE 0 D
A34	HA 1 A
A39	KA 0 E
A57	DC 0 A
A57	DD 0 D
A58	DC 0 D
A83	GD 2 B
A92A	CD 2 C
A92B	CD 3 C
A99	DC 3 D
A124	AC 3 A
A124	AD 2 A
A125	BI 1 C
A137B	CH 0 C
A138	CH 1 E
A153	BG 0 C
A153A	BG 3 D
A153B	BG 3 E
A158	KA 2 C
A158 J1	KA 3 B
A158 J2	KA 3 C
A175A	BY 1 E
A215	GA 2 A
A216	KA 1 D
A217	BE 4 C
A223	ID 1 E
A230	AB 0 D
A230	CJ 4 B
A230	KA 4 B
A230A	BN 1 B
A230A	CH 0 A
B06T1	BE 1 D
B06T2	BE 1 D
B07	BE 1 D
B07A	CG 1 D

REF	PAGE
B09	BE 2 D
B13	EA 1 B
B13	EC 0 D
B14	EA 1 B
B14	EC 1 D
B15	EA 0 D
B15	EC 0 B
B16	EA 1 D
B16	EC 1 B
B17	EA 2 E
B17	EC 3 D
B18	EA 2 E
B18	EC 3 D
B22	BE 0 D
B22C	CJ 3 E
B23A	DC 3 D
B25	BB 3 D
B25	BQ 3 C
B25L	BB 3 D
B60LF	KA 2 E
B60RF	KA 2 E
B67	KA 0 D
B80	KA 2 C
B99	CA 3 C
B121	BE 3 A
B122A	CJ 3 D
B122B	CJ 3 D
B123A	CJ 2 D
B124FR	BE 0 E
B124RR	BE 0 E
B133	BE 1 A
B185A	CJ 3 D
B245A	KA 0 D
B272	CJ 2 E
B300B	CI 1 C
B319	CI 0 D
CB2	AA 0 B
CB2	GA 1 A
CB3	AA 0 B
CB3	GA 0 A
CB4	AA 1 B
CB4	GA 2 A
CB5	AA 1 B
CB5	GA 4 A
CB6	AA 1 B
CB6	GH 3 A
CB7	AA 1 B
CB7	AC 0 A
CB8	AA 0 C
CB8	FB 2 A

REF	PAGE
CB9	AA 2 B
CB9	KC 2 A
CB10	AA 2 B
CB10	KA 3 A
CB10	XA 2 A
CB10	XB 2 A
CB11	AA 2 B
CB11	BY 1 A
CB11	GG 1 A
CB11	NA 0 A
CB12	AA 2 B
CB12	NB 1 A
CB15	AA 3 B
CB15	FC 1 A
CB18	AB 1 C
CB18	BC 2 A
CB20	AA 4 B
CB20	IC 0 A
CB20	ID 2 A
CB21	AA 0 C
CB21	GP 4 A
CB22	AA 0 C
CB22	GP 2 A
CB23	AA 1 C
CB23	GP 0 A
CB24	AA 1 C
CB24	NB 0 A
CB26	AA 4 B
CB26	NA 2 A
CB27	AA 1 C
CB27	GG 1 A
CB27	HB 0 A
CB27	NA 0 A
CB29	AA 4 B
CB30	AA 1 C
CB30	FC 1 A
CB32	AB 0 B
CB32	NA 3 A
CB33	AB 0 B
CB33	GG 3 A
CB34	AB 1 B
CB34	NB 3 A
CB35	AB 1 B
CB35	GA 2 A
CB36	AB 1 B
CB36	GQ 3 A
CB37	AB 2 B
CB37	GG 2 A
CB39	AA 1 D
CB39	GG 1 A

0

1

2

3

4

0

1

2

3

4

SHELLS

REF	PAGE
CB40	AA 4 D
CB40	NB 1 A
CB42	AA 4 D
CB42	DD 4 A
CB44	AA 4 D
CB44	FA 2 A
CB45	AA 3 D
CB45	NB 2 A
CB46	AA 1 D
CB46	KC 1 A
CB47	AA 0 D
CB47	NA 3 A
CB50	AB 2 B
CB50	GD 0 A
CB51	AB 2 B
CB51	GD 1 A
CB52	AA 3 D
CB52	HA 0 A
CB54	AB 2 B
CB54	GD 3 A
CB55	AA 3 D
CB55	IC 2 A
CB55	ID 1 A
CB56	AA 3 D
CB56	IE 0 A
CB57	AA 2 D
CB57	IE 1 A
CB58	AA 0 D
CB58	BB 2 A
CB58	BY 3 A
CB61	AB 3 B
CB61	NB 0 A
CB65	AB 2 C
CB66	AA 2 C
CB66	KA 1 A
CB66	NA 4 A
CB67	AB 3 B
CB67	IF 0 A
CB68	AB 4 B
CB68	KC 3 A
CB74	KA 3 B
CB76	NA 1 D
CB91	CD 0 B
CB92	CD 1 B
E11LA	GD 2 E
E11LB	GD 2 D
E11RA	GD 4 D
E11RB	GD 4 D
E12L	GA 3 D
E12R	GA 4 D

REF	PAGE
E14L	GD 2 D
E14R	GD 3 D
E17L	GH 4 B
E17R	GH 4 B
E18L	GH 2 B
E18R	GH 3 B
E19C	GA 1 E
E19L	GA 0 E
E19R	GA 1 E
E27L	GF 1 C
E27R	GF 2 C
E30L	GD 0 D
E30R	GD 1 D
E32	HA 1 D
E35	HA 4 D
E57	GA 4 D
EL3L	GD 0 C
EL3R	GD 1 C
F13	AA 3 B
F13	EA 3 A
F13	EC 3 A
F14	AA 3 B
F14	CD 2 A
F16	AB 1 C
F16	BA 0 A
F17	AB 1 C
F17	BA 2 A
F19	AA 3 B
F19	BE 0 A
F25	AB 4 D
F28	AC 3 B
F31	AB 1 C
F31	DD 3 A
F38	AA 1 D
F38	CA 0 A
F41	AA 1 D
F41	CG 2 A
F43	AA 2 D
F43	CA 1 B
F48	GD 4 C
F49	AA 0 D
F49	EA 3 A
F49	EC 3 A
F60	AB 3 B
F60	CA 0 A
F60	CJ 3 A
F62	AB 3 B
F62	CD 3 A
F63	AB 2 C
F63	BE 0 A

REF	PAGE
F64	AB 2 C
F69	AB 3 C
F69	CH 0 A
F71	AB 4 B
F71	DD 0 A
F75	NA 1 D
F77	HA 1 B
F80	CJ 2 B
F81	CI 4 B
F82	BI 1 B
F200	HB 2 B
FM3	AC 3 D
FM3_A1	AC 4 D
FM5	CG 2 C
G01	AB 0 D
G01	AC 3 C
G01	AD 2 B
G01	BN 0 B
G01	CH 0 B
G01	CJ 5 A
G01	HB 2 B
G01	KA 4 A
G02	AC 4 B
G02	AD 0 A
G02	BP 0 B
H02	GQ 3 C
H02A	GQ 2 D
H02B	GQ 3 D
H03	GF 3 B
H16	CI 1 B
H17	CI 3 B
M01L	GP 3 C
M01R	GP 2 C
M02	GP 0 C
M06DS	IE 0 D
M06PS	IE 2 D
M58L	IF 3 D
M58R	IF 3 C
M78L	IC 0 D
M78L	ID 0 B
M78R	IC 3 C
M78R	ID 3 B
M120A	CD 0 E
M120B	CD 1 E
M121A	CD 2 D
M121B	CD 3 D
R01	AD 0 A
R04	KC 3 C
R05	FA 3 C
R05A	FA 2 C

VOLVO Group Trucks Technology

Document title
WIRING DIAGRAM - TYPE-OL-LR 2019_OL-01

Document type
PRODUCT SCHEMATIC

Document No
23456108

Issue
02

Volume
2 (2)

Page
20 (33)

0

1

2

3

4

0

1

2

3

4

SHELLS

REF	PAGE
R05B	FA 0 C
R08B	BY 2 B
R08MC	XA 3 A
R08MC	XB 4 A
R09	CC 1 C
R14	XC 2 C
R14B	XC 2 B
R19A	FA 0 C
R19B	FA 1 C
R21A	XE 2 B
R21B	XE 1 B
R29	CH 3 E
R31	CH 3 D
R34	XB 1 E
R39A	BC 2 C
R39B	BE 1 D
R78	CC 2 C
RLY01	AB 3 C
RLY02	AA 2 C
RLY03	AA 0 B
RLY04	AA 3 C
RLY05	GA 1 C
RLY06	GA 3 B
RLY10	BA 1 B
RLY11	GG 2 B
RLY12	GG 3 B
RLY13	GA 1 C
RLY14	GQ 2 C
RLY15	GA 4 C
RLY016A	GP 2 B
RLY016B	GP 2 B
RLY016C	GP 3 B
RLY016D	GP 3 B
RLY17	DD 3 B
RLY19	GD 3 B
RLY28	KC 2 B
RLY29	NB 2 B
RLY34	AA 1 B
RLY35	HA 0 B
RLY36	AC 2 C
RLY38	GD 0 B
RLY39	GD 1 B
RLY45	DD 4 B
RLY46	DD 3 B
RLY47	DD 2 B
RLY48	DD 2 B
RLY49	HA 0 C
RLY52	GA 1 B
RLY54	CI 0 B
RLY58	FC 1 B

REF	PAGE
RLY59	FC 2 B
RLY60	GA 3 B
RLY61	FB 0 A
RLY62	NB 3 B
RLY63	GA 3 D
RLY63 JMP	GA 2 E
RLY64	NA 0 C
RLY68	CA 0 B
RLY70	BB 4 C
RLY71	BB 3 B
RLY72	GH 0 B
RLY73	GH 0 B
RLY74	GH 1 B
RLY75	BB 1 B
RLY76	DE 2 B
RLY77	DE 0 C
RLY78	DE 1 C
RLY80	GD 0 A
RLY81	GD 2 B
RLY89	HA 1 C
RLY91	CD 0 C
RLY92	CD 1 C
RLY95	BP 0 B
RLY96	GH 1 B
RLY98	BD 3 D
RLY99	CI 0 C
RLY113	DE 4 B
S01A	GA 0 B
S03	GD 4 A
S05A	GH 4 D
S05B	GH 2 D
S05C	GH 3 D
S07	BA 3 C
S08	BD 1 B
S09A	FB 4 B
S13L	GA 2 C
S13R	GH 0 D
S14L	GQ 0 C
S14R	GQ 1 C
S016	EC 3 B
S019A	FB 3 B
S28A	FD 0 B
S28D	FC 1 B
S30	BE 1 B
S30A	BE 2 A
S30B	BG 1 A
S30C	BG 2 A
S31	EA 2 A
S40	KA 0 B
S43	BA 3 E

REF	PAGE
S43D	BP 1 C
S44	GH 4 E
S44L	GH 3 E
S48P	GA 4 B
S48PL	DE 3 C
S48PR	DE 2 C
S48S	GA 4 B
S48SL	DE 4 C
S48SR	DE 3 C
S54	BE 4 B
S71	HA 0 C
S103	IC 0 B
S103	ID 2 B
S105	GH 2 D
S106PS	IE 2 B
S107	IE 0 B
S115	IF 1 C
S117	BE 4 B
S123	IC 2 B
S123	ID 1 B
S130	FB 2 B
S146	BA 0 C
S146B	BA 1 C
S147A	BA 2 C
S147B	BA 3 C
S169	AC 3 D
S190	HA 0 D
S217	AC 0 C
S218	GP 0 B
S314	DD 1 B
S330	BB 0 D
S330	BQ 0 C
S330JMP	BB 1 D
S330JMP	BQ 2 C
S331	FD 1 C
S332	GA 1 B
S339	BB 0 A
S340	DE 1 C
S340A	DE 0 B
S340B	DE 1 B
S340C	DE 0 B
S341A	FB 0 C
S341B	FB 0 B
S344	BF 1 C
S344A	BF 2 C
S347	ID 2 B
S493L	DD 0 B
S493R	DD 0 B
V03	GD 1 C
V33	BF 2 C

0

1

2

3

4

0

1

2

3

4

SHELLS

REF	PAGE
V34	DD 3 C
V35	CI 0 D
X0C	BA 3 A
X0C	GH 4 A
X0C	HA 1 A
X01	XD 2 C
X01A	XA 1 C
X01A	XB 2 D
X01A	XC 1 D
X01A	XD 2 C
X07A	KC 1 C
X10	AC 3 E
X11	CA 0 C
X11	HA 0 E
X11B	CJ 1 C
X18	AD 1 B
X21B	BC 0 C
X21C	CJ 4 E
X21F	BP 0 D
X21G	BN 2 C
X21H	BN 0 C
X34	KC 2 C

REF	PAGE
X71	AD 0 D
X110	AD 2 B
X111	AD 4 C
X111	BC 0 C
X111	CI 1 D
X111	GD 2 B
X111	HA 1 B
X135	AD 1 C
X136	AD 2 C
X137	AD 2 C
X137A	AD 2 D
X140	AD 1 B
X141	CC 2 B
X194	BI 1 D
X197	BE 1 A
X197	CA 2 B
X197	CH 0 D
Y05	FB 0 D
Y11	EA 0 B
Y11	EC 1 D
Y12	EA 1 B
Y12	EC 1 D

REF	PAGE
Y13	EA 1 D
Y13	EC 1 B
Y14	EA 2 D
Y14	EC 1 B
Y15	EA 3 D
Y15	EC 3 D
Y16	EA 3 D
Y16	EC 3 D
Y18A	FC 1 D
Y35	CA 1 C
Y35E	CJ 1 D
Y42	HA 0 E
Y51	FA 4 C
Y57	EA 1 D
Y57	EC 2 B
Y62	DC 0 C
Y81	CH 2 D
Y95	CG 2 D
Y137	FB 1 D
Y168	FD 3 C
Z10	XB 1 C
Z10	XE 3 C

0

1

2

3

4

REFERENCES

REF	DESCRIPTION	PAGE
A03	Instrument cluster	BE 0 D
A03 Z	GAUGE FUEL LEVEL LNG	CG 1 B
A03D	GAUGE DIESEL LEVEL & DEF LEVEL	BE 3 D
A03E	GAUGE PYROMETER	BE 3 E
A06R1 Climate Control V1 v1	El. adjustable seat (optional fan and hea	HB 0 D
A12A	Control unit, ABS (Anti-lock Brake Syst	EA 0 C
A12B	Control unit, ABS (Anti-lock Brake Syst	EC 0 C
A17	Control unit, VECU (Vehicle ECU)	AC 2 A
A17	Control unit, VECU (Vehicle ECU)	BA 1 D
A17	Control unit, VECU (Vehicle ECU)	BC 1 D
A17	Control unit, VECU (Vehicle ECU)	BD 2 D
A17	Control unit, VECU (Vehicle ECU)	BQ 0 B
A17	Control unit, VECU (Vehicle ECU)	GD 2 A
A17	Control unit, VECU (Vehicle ECU)	HA 0 D
A19EP	CONTROL UNIT ALLISON GEAR SELECTOR PRIMARY	DD 0 E
A19ES	CONTROL UNIT, ALLISON GEAR SELECTOR SECON	DE 0 D
A34	Control unit, climate unit	HA 1 A
A39	Control unit, camera	KA 0 E
A57	Control unit, Allison Transmission	DC 0 A
A57	Control unit, Allison Transmission	DD 0 D
A58	TRANSMISSION ALLISON	DC 0 D
A83	Control unit, Daytime running lights	GD 2 B
A92A	CONTROL UNIT AUX. COOLING FAN	CD 2 C
A92B	CONTROL UNIT AUX. COOLING FAN	CD 3 C
A99	Component group, transmission and retarde	DC 3 D
A124	COMPONENT GROUP, STARTER MOTOR, M04 & K65	AC 3 A
A124	COMPONENT GROUP, STARTER MOTOR, M04 & K65	AD 2 A
A125	Control unit, TCW (Telematics Gateway)	BI 1 C
A137B	Contol Module, ACM (Adblue control modu	CH 0 C
A138	PUMP UNIT, ADBLUE	CH 1 E
A153	Instrument Cluster	BG 0 C
A153A	GAUGE FUEL	BG 3 D
A153B	GAUGE PYROMETER	BG 3 E
A158	Radio	KA 2 C
A158 J1	JUMPER BATTERY FEED	KA 3 B
A158 J2	JUMPER BATTERY FEED	KA 3 C
A175A	TMC 1226 TESP	BY 1 E
A215	FLASHER	GA 2 A
A216	CAMERA MONITOR	KA 1 D
A217	GAUGE LIFT AXLE PUSHER	BE 4 C
A223	CONTROL UNIT MEMORY MIRROR	ID 1 E
A230	FUSE HOLDER W COVER	AB 0 D
A230	FUSE HOLDER W COVER	CJ 4 B
A230	FUSE HOLDER W COVER	KA 4 B
A230A	FUSE HOLDER 4 FUSES	BN 1 B
A230A	FUSE HOLDER 4 FUSES	CH 0 A
B06T1	SENSOR PRIMARY AIR	BE 1 D
B06T2	SENSOR SECONDARY AIR	BE 1 D
B07	Sensor, fuel level	BE 1 D
B07A	SENSOR LNG FUEL LEVEL	CG 1 D

REFERENCES

REF	DESCRIPTION	PAGE
B09	SENSOR TRANSMISSION TEMPERATURE	BE 2 D
B13	SENSOR, WHEEL SPD LH FRT AXLE	EA 1 B
B13	SENSOR, WHEEL SPD LH FRT AXLE	EC 0 D
B14	SENSOR WHEEL SPD RH FRT AXLE	EA 1 B
B14	SENSOR WHEEL SPD RH FRT AXLE	EC 1 D
B15	Sensor, wheel speed, lhs. 1:st driven re	EA 0 D
B15	Sensor, wheel speed, lhs. 1:st driven re	EC 0 B
B16	Sensor, wheel speed, rhs. 1:st driven re	EA 1 D
B16	Sensor, wheel speed, rhs. 1:st driven re	EC 1 B
B17	Sensor, wheel speed, lhs., 2:nd driven r	EA 2 E
B17	Sensor, wheel speed, lhs., 2:nd driven r	EC 3 D
B18	Sensor, wheel speed, rhs., 2:nd driven r	EA 2 E
B18	Sensor, wheel speed, rhs., 2:nd driven r	EC 3 D
B22	SENSOR OUTDOOR TEMPERATURE	BE 0 D
B22C	SENSOR AMBIENT AIR TEMP	CJ 3 E
B23A	Sensor, oil temperature, retarder	DC 3 D
B25	Sensor, accelerator pedal	BB 3 D
B25	Sensor, accelerator pedal	BQ 3 C
B25L	SENSOR, ACCELERATOR PEDAL LEFT	BB 3 D
B60LF	Loudspeaker, left front	KA 2 E
B60RF	Loudspeaker, right front	KA 2 E
B67	Rear view camera	KA 0 D
B80	Handsfree, Loudspeaker, Microphone	KA 2 C
B99	Sensor, urea quality / temp	CA 3 C
B121	Sensor, Low level washer fluid	BE 3 A
B122A	SENSOR EXHAUST TEMPERATURE CATALYST	CJ 3 D
B122B	SENSOR CATALYST OUTLET TEMP.2	CJ 3 D
B123A	SENSOR COOLANT LEVEL	CJ 2 D
B124FR	SENSOR, OIL TEMP., FRONT REAR AXLE	BE 0 E
B124RR	SENSOR, OIL TEMP. REAR REAR AXLE	BE 0 E
B133	Sensor, Air filter restriction	BE 1 A
B185A	SENSOR OXYGEN OUTLET EGO	CJ 3 D
B245A	Camera, accessory	KA 0 D
B272	Sensor, Pressure Crankcase	CJ 2 E
B300B	METHANE SENSOR ENGINE	CI 1 C
B319	SENSOR ALARM CO	CI 0 D
CB2	CIR. BRKR., HDLMPS. HI, DRL	AA 0 B
CB2	CIR. BRKR., HDLMPS. HI, DRL	GA 1 A
CB3	CIR. BRKR., PARK, TAIL MARKER LPS.	AA 0 B
CB3	CIR. BRKR., PARK, TAIL MARKER LPS.	GA 0 A
CB4	CIR. BRKR., TURN LPS. FLASHER	AA 1 B
CB4	CIR. BRKR., TURN LPS. FLASHER	GA 2 A
CB5	CIRCUIT BREAKER, TRACTOR STOP LPS.	AA 1 B
CB5	CIRCUIT BREAKER, TRACTOR STOP LPS.	GA 4 A
CB6	CIRCUIT BREAKER, DOME COURTESY LPS.	AA 1 B
CB6	CIRCUIT BREAKER, DOME COURTESY LPS.	GH 3 A
CB7	CIRCUIT BREAKER, KEY SW.	AA 1 B
CB7	CIRCUIT BREAKER, KEY SW.	AC 0 A
CB8	CIR. BRKR., AIR SOL.	AA 0 C
CB8	CIR. BRKR., AIR SOL.	FB 2 A

REFERENCES

REF	DESCRIPTION	PAGE
CB9	CIR. BRKR., CB POST	AA 2 B
CB9	CIR. BRKR., CB POST	KC 2 A
CB10	CIR. BRKR., DIAG. CONN.	AA 2 B
CB10	CIR. BRKR., DIAG. CONN.	KA 3 A
CB10	CIR. BRKR., DIAG. CONN.	XA 2 A
CB10	CIR. BRKR., DIAG. CONN.	XB 2 A
CB11	CIR. BRKR., BATT. STUD	AA 2 B
CB11	CIR. BRKR., BATT. STUD	BY 1 A
CB11	CIR. BRKR., BATT. STUD	GG 1 A
CB11	CIR. BRKR., BATT. STUD	NA 0 A
CB12	CIR. BRKR., OPTION BLOCK	AA 2 B
CB12	CIR. BRKR., OPTION BLOCK	NB 1 A
CB15	CIR. BRKR., BEACON LAMPS	AA 3 B
CB15	CIR. BRKR., BEACON LAMPS	FC 1 A
CB18	CIR. BRKR. DCL(CDS) EMS POWER	AB 1 C
CB18	CIR. BRKR. DCL(CDS) EMS POWER	BC 2 A
CB20	CIR. BRKR., MOTO. MIRRORS	AA 4 B
CB20	CIR. BRKR., MOTO. MIRRORS	IC 0 A
CB20	CIR. BRKR., MOTO. MIRRORS	ID 2 A
CB21	CIR. BRKR., LH WS WIPER	AA 0 C
CB21	CIR. BRKR., LH WS WIPER	GP 4 A
CB22	CIR. BRKR., RH WS WIPER	AA 0 C
CB22	CIR. BRKR., RH WS WIPER	GP 2 A
CB23	CIR. BRKR., WS WIPER/ WASHER	AA 1 C
CB23	CIR. BRKR., WS WIPER/ WASHER	GP 0 A
CB24	CIR. BRKR., 2WAY RADIO	AA 1 C
CB24	CIR. BRKR., 2WAY RADIO	NB 0 A
CB26	CIR. BRKR., REAR FLOOD LPS.	AA 4 B
CB26	CIR. BRKR., REAR FLOOD LPS.	NA 2 A
CB27	CIR. BRKR., IGN. STUD	AA 1 C
CB27	CIR. BRKR., IGN. STUD	GG 1 A
CB27	CIR. BRKR., IGN. STUD	HB 0 A
CB27	CIR. BRKR., IGN. STUD	NA 0 A
CB29	CIR. BRKR., EMS RELAYS	AA 4 B
CB30	CIR. BRKR., MUNCIE LIVE PACK	AA 1 C
CB30	CIR. BRKR., MUNCIE LIVE PACK	FC 1 A
CB32	CIR. BRKR., BODYBUILDER BATT 2	AB 0 B
CB32	CIR. BRKR., BODYBUILDER BATT 2	NA 3 A
CB33	CIR. BRKR., TRAILER STOP LPS.	AB 0 B
CB33	CIR. BRKR., TRAILER STOP LPS.	GG 3 A
CB34	CIR. BRKR., REV/NEUTRAL POWER	AB 1 B
CB34	CIR. BRKR., REV/NEUTRAL POWER	NB 3 A
CB35	CIR. BRKR., CAB & TRLR. CLEARANCE LPS.	AB 1 B
CB35	CIR. BRKR., CAB & TRLR. CLEARANCE LPS.	GA 2 A
CB36	CIR. BRKR. HORN	AB 1 B
CB36	CIR. BRKR. HORN	GQ 3 A
CB37	CIR. BRKR., TRLR. TAIL LPS.	AB 2 B
CB37	CIR. BRKR., TRLR. TAIL LPS.	GG 2 A
CB39	CIR. BRKR., TRAILER ABS PWR	AA 1 D
CB39	CIR. BRKR., TRAILER ABS PWR	GG 1 A

REFERENCES

REF	DESCRIPTION	PAGE
CB40	CIR. BRKR., BODY IGN. PWR. STUD	AA 4 D
CB40	CIR. BRKR., BODY IGN. PWR. STUD	NB 1 A
CB42	CIR. BRKR., BACKUP LPS.	AA 4 D
CB42	CIR. BRKR., BACKUP LPS.	DD 4 A
CB44	CIR. BRKR., HTD. AIR DRYER /HTD. DRAIN VA	AA 4 D
CB44	CIR. BRKR., HTD. AIR DRYER /HTD. DRAIN VA	FA 2 A
CB45	CIR. BRKR., SPARE/FUEL SEPARATOR FUEL HEA	AA 3 D
CB45	CIR. BRKR., SPARE/FUEL SEPARATOR FUEL HEA	NB 2 A
CB46	CIR. BRKR., POWER OUTLET	AA 1 D
CB46	CIR. BRKR., POWER OUTLET	KC 1 A
CB47	CIR. BRKR., TRANS./ SPARE	AA 0 D
CB47	CIR. BRKR., TRANS./ SPARE	NA 3 A
CB50	CIR. BRKR., HDLP LH LOW BEAM	AB 2 B
CB50	CIR. BRKR., HDLP LH LOW BEAM	GD 0 A
CB51	CIR. BRKR., HDLP RH LOW BEAM	AB 2 B
CB51	CIR. BRKR., HDLP RH LOW BEAM	GD 1 A
CB52	CIR. BRKR., SPARE/ BRK. WEAR	AA 3 D
CB52	CIR. BRKR., SPARE/ BRK. WEAR	HA 0 A
CB54	CIR BRKR, DAYTIME RUNNING LIGHTS	AB 2 B
CB54	CIR BRKR, DAYTIME RUNNING LIGHTS	GD 3 A
CB55	CIR. BRKR., HEATED MIRRORS	AA 3 D
CB55	CIR. BRKR., HEATED MIRRORS	IC 2 A
CB55	CIR. BRKR., HEATED MIRRORS	ID 1 A
CB56	POWER WINDOW DRIVERS SIDE	AA 3 D
CB56	POWER WINDOW DRIVERS SIDE	IE 0 A
CB57	POWER WINDOW PASSENGER SIDE	AA 2 D
CB57	POWER WINDOW PASSENGER SIDE	IE 1 A
CB58	CIR. BRKR. L-R RELAY CRTL.	AA 0 D
CB58	CIR. BRKR. L-R RELAY CRTL.	BB 2 A
CB58	CIR. BRKR. L-R RELAY CRTL.	BY 3 A
CB61	CIR. BRKR., BODY BATT. STUD	AB 3 B
CB61	CIR. BRKR., BODY BATT. STUD	NB 0 A
CB65	CIR. BRKR., OPEN	AB 2 C
CB66	CIR. BRKR. SPARE	AA 2 C
CB66	CIR. BRKR. SPARE	KA 1 A
CB66	CIR. BRKR. SPARE	NA 4 A
CB67	CIR. BRKR., OPEN	AB 3 B
CB67	CIR. BRKR., OPEN	IF 0 A
CB68	CIR. BRKR., CIGAR LIGHTER	AB 4 B
CB68	CIR. BRKR., CIGAR LIGHTER	KC 3 A
CB74	CIR. BRKR., RADIO MEMORY	KA 3 B
CB76	CIR. BRKR., HYDRAULIC PUMP PROTECTION WEB	NA 1 D
CB91	CIR. BRKR., AUX FAN #1	CD 0 B
CB92	CIR. BRKR., AUX FAN #2	CD 1 B
E11LA	Lamp, side marker light, left side 1	GD 2 E
E11LB	Lamp, side marker light, left side 2	GD 2 D
E11RA	Lamp, side marker light, right side 1	GD 4 D
E11RB	Lamp, side marker light, right side 2	GD 4 D
E12L	Lamp, roof position light, left	GA 3 D
E12R	Lamp, roof position light, right	GA 4 D

REFERENCES

REF	DESCRIPTION	PAGE
E14L	Lamp, beacon warning lamp	GD 2 D
E14R	Lamp, beacon warning lamp	GD 3 D
E17L	Lamp, interior light	GH 4 B
E17R	Lamp, interior light	GH 4 B
E18L	Lamp, reading light	GH 2 B
E18R	Lamp, reading light	GH 3 B
E19C	Lamp, identification light, roof, center	GA 1 E
E19L	Lamp, identification light, roof, left	GA 0 E
E19R	Lamp, identification light, roof, right	GA 1 E
E27L	Tail lamp module, left	GF 1 C
E27R	Tail lamp module, left	GF 2 C
E30L	Lamp, full- and dipped beams, left	GD 0 D
E30R	Lamp, full- and dipped beams, right	GD 1 D
E32	Climate unit	HA 1 D
E35	HVAC Unit, Heat, Ventilation and Air Cond	HA 4 D
E57	Lamp, Main switch interface	GA 4 D
EL3L	Lamp, Cab/body working light, left	GD 0 C
EL3R	Lamp, Cab/body working light, right	GD 1 C
F13	FUSE ABS BATT	AA 3 B
F13	FUSE ABS BATT	EA 3 A
F13	FUSE ABS BATT	EC 3 A
F14	FUSE, OPEN	AA 3 B
F14	FUSE, OPEN	CD 2 A
F16	FUSE, VECU (EMS)	AB 1 C
F16	FUSE, VECU (EMS)	BA 0 A
F17	FUSE, CONTROL/SW INPUTS	AB 1 C
F17	FUSE, CONTROL/SW INPUTS	BA 2 A
F19	FUSE INST. CLUSTER	AA 3 B
F19	FUSE INST. CLUSTER	BE 0 A
F25	FUSE HVAC CAB	AB 4 D
F28	FUSE, ALT SENSE	AC 3 B
F31	FUSE TRANS SPARE	AB 1 C
F31	FUSE TRANS SPARE	DD 3 A
F38	FUSE ENGINE CONTROL UNIT	AA 1 D
F38	FUSE ENGINE CONTROL UNIT	CA 0 A
F41	FUSE, ENGINE ACC.	AA 1 D
F41	FUSE, ENGINE ACC.	CG 2 A
F43	FUSE ENGINE COMP #2	AA 2 D
F43	FUSE ENGINE COMP #2	CA 1 B
F48	FUSE LED DRL	GD 4 C
F49	FUSE, ABS	AA 0 D
F49	FUSE, ABS	EA 3 A
F49	FUSE, ABS	EC 3 A
F60	FUSE, ENG COMP #1	AB 3 B
F60	FUSE, ENG COMP #1	CA 0 A
F60	FUSE, ENG COMP #1	CJ 3 A
F62	FUSE, EAT BATT.	AB 3 B
F62	FUSE, EAT BATT.	CD 3 A
F63	FUSE, INSTR CLUSTER (EMS)	AB 2 C
F63	FUSE, INSTR CLUSTER (EMS)	BE 0 A

REFERENCES

REF	DESCRIPTION	PAGE
F64	FUSE, DPF, IGN	AB 2 C
F69	FUSE, EAT EMS	AB 3 C
F69	FUSE, EAT EMS	CH 0 A
F71	FUSE, TRANS (BATT)	AB 4 B
F71	FUSE, TRANS (BATT)	DD 0 A
F75		NA 1 D
F77	FUSE SPARE 3	HA 1 B
F80	FUSE CUMMINS ECU	CJ 2 B
F81	FUSE, METHANE DETECTOR	CI 4 B
F82	TGW	BI 1 B
F200	FUSE ROOF AC	HB 2 B
FM3	FUSE MAIN PWR. CAB	AC 3 D
FM3_A1	MAIN CIRCUIT BREAKER	AC 4 D
FM5	RCIOM power supply 1	CG 2 C
G01	Battery	AB 0 D
G01	Battery	AC 3 C
G01	Battery	AD 2 B
G01	Battery	BN 0 B
G01	Battery	CH 0 B
G01	Battery	CJ 5 A
G01	Battery	HB 2 B
G01	Battery	KA 4 A
G02	Alternator	AC 4 B
G02	Alternator	AD 0 A
G02	Alternator	BP 0 B
H02	Horn	GQ 3 C
H02A	Horn	GQ 2 D
H02B	Horn	GQ 3 D
H03	Reverse warner, acoustic	GF 3 B
H16	METHANE FUME DETECTOR	CI 1 B
H17	METHANE DETECTION STATUS	CI 3 B
M01L	MOTOR WINDSHIELD WIPER LH	GP 3 C
M01R	MOTOR WINDSHIELD WIPER RH	GP 2 C
M02	MOTOR WS. WASHER PUMP	GP 0 C
M06DS	DRIVER driver MOTOR, Motor, P.WINDOW side	IE 0 D
M06PS	MOTOR, Motor, P.WINDOW PASSENGER passenge	IE 2 D
M58L	Motor, Door lock	IF 3 D
M58R	Motor, Door lock	IF 3 C
M78L	MOTOR MIRROR LEFT SIDE	IC 0 D
M78L	MOTOR MIRROR LEFT SIDE	ID 0 B
M78R	MOTOR MIRROR RIGHT SIDE	IC 3 C
M78R	MOTOR MIRROR RIGHT SIDE	ID 3 B
M120A	MOTOR, AUX. COOLING FAN #1	CD 0 E
M120B	MOTOR, AUX. COOLING FAN #2	CD 1 E
M121A	MOTOR AUX. COOLING FAN #1	CD 2 D
M121B	MOTOR AUX. COOLING FAN #2	CD 3 D
R01	HEATER, ENGINE PREHEAT	AD 0 A
R04	CIGAR LIGHTER	KC 3 C
R05	Heater, air dryer	FA 3 C
R05A	AIR DRYER, HEATED	FA 2 C

REFERENCES

REF	DESCRIPTION	PAGE
R05B	AIR DRYER, HEATED	FA 0 C
R08B	TERM RESISTOR	BY 2 B
R08MC	Terminating resistor, CAN-bus	XA 3 A
R08MC	Terminating resistor, CAN-bus	XB 4 A
R09	HEATER, FUEL WATER SEPARATOR	CC 1 C
R14	Termination resistor	XC 2 C
R14B	Termination resistor	XC 2 B
R19A	HEATER HEATED DRAIN VALVE COOLING TANK	FA 0 C
R19B	HEATER HEATED DRAIN VALVE WET TANK	FA 1 C
R21A	TERM RESISTOR	XE 2 B
R21B	TERM RESISTOR	XE 1 B
R29	Heater, NOxCare tank to pump hose	CH 3 E
R31	Heater, NOxCare pump to injector hose	CH 3 D
R34	Termination resistor	XB 1 E
R39A	RESISTOR, CUMMINS PULL UP IVS	BC 2 C
R39B	RESISTOR CUMMINS PULL DOWN FUEL LEVEL	BE 1 D
R78	HEATER ENGINE BLOCK COOLANT	CC 2 C
RLY01	RELAY EMS #1	AB 3 C
RLY02	RELAY EMS #2	AA 2 C
RLY03	RELAY IGN. #1	AA 0 B
RLY04	RELAY IGN. #3	AA 3 C
RLY05	RELAY HIGH BEAM	GA 1 C
RLY06	RELAY, EMERGENCY STOP LAMP	GA 3 B
RLY10	RELAY, LEFT/RIGHT SW. PWR.	BA 1 B
RLY11	RELAY TRAILER TAIL LAMP	GG 2 B
RLY12	RELAY TRAILER STOP LAMP	GG 3 B
RLY13	RELAY, CAB AND TRAILER CLEARANCE LAMP	GA 1 C
RLY14	RELAY, HORN	GQ 2 C
RLY15	RELAY HAZARD BYPASS	GA 4 C
RLY016A	RELAY WINDSHIELD WIPER RH LOW	GP 2 B
RLY016B	RELAY WINDSHIELD WIPER RH HIGH	GP 2 B
RLY016C	RELAY WINDSHIELD WIPER LH LOW	GP 3 B
RLY016D	RELAY WINDSHIELD WIPER LH HIGH	GP 3 B
RLY17	RELAY REVERSE POWER	DD 3 B
RLY19	El. adjustable seat (optional fan and hea	GD 3 B
RLY28	RELAY, CB BINDING POST	KC 2 B
RLY29	RELAY, NEUTRAL POWER	NB 2 B
RLY34	RELAY, PRE-EMS	AA 1 B
RLY35	RELAY, HVAC CAB	HA 0 B
RLY36	RELAY START CNTL. 1	AC 2 C
RLY38	RELAY, LOW BEAM LEFT	GD 0 B
RLY39	RELAY, LOW BEAM RIGHT	GD 1 B
RLY45	RELAY PTO ENABLE	DD 4 B
RLY46	RELAY RANGE PTO	DD 3 B
RLY47	RELAY RETARDER	DD 2 B
RLY48	RELAY STOP LAMPS	DD 2 B
RLY49	RELAY AC CLUTCH	HA 0 C
RLY52	RELAY, HIGH BEAM	GA 1 B
RLY54	RELAY METHANE DETECTOR	CI 0 B
RLY58	RELAY BEACON LAMP PTO	FC 1 B

REFERENCES

REF	DESCRIPTION	PAGE
RLY59	RELAY BEACON LPS REVERSE	FC 2 B
RLY60	RELAY, PARK BRAKE STOP LAMP	GA 3 B
RLY61	RELAY LIFT AXLE REVERSE	FB 0 A
RLY62	RELAY, REVERSE BODY POWER	NB 3 B
RLY63	RELAY, POWER INDICATOR	GA 3 D
RLY63 JMP	JUMPER, CLEARANCE LIGHTS	GA 2 E
RLY64	1 DETECT METHANE RELAY RELAY, SPARE	NA 0 C
RLY68	RELAY, ENGINE COMP#1	CA 0 B
RLY70	RELAY, TPS L-R REF.	BB 4 C
RLY71	RELAY, TPS L-R IVS	BB 3 B
RLY72	RELAY DIRECTIONAL LAMPS L-R	GH 0 B
RLY73	RELAY LEFT COMB. STOP TURN LAMPS	GH 0 B
RLY74	RELAY HIGH BEAM SW. L-R	GH 1 B
RLY75	RELAY, ALLISON L-R SHIFT INHIBIT	BB 1 B
RLY76	RELAY ALLISON L/R SERVICE BRAKE INHIBIT	DE 2 B
RLY77	RELAY AUTO NEUTRAL PACKER	DE 0 C
RLY78	RELAY AUTO NEUTRAL WORK BRAKE	DE 1 C
RLY80	RELAY, WORK LAMPS LEFT	GD 0 A
RLY81	RELAY, WORK LAMPS RIGHT	GD 2 B
RLY89	RELAY, HEATER HIGH FAN SPEED	HA 1 C
RLY91	#1 (optional AUX. El. FAN RELAY adjustabl	CD 0 C
RLY92	#2 (optional AUX. El. FAN RELAY adjustabl	CD 1 C
RLY95	(optional 2 El. INTERRUPT RELAY START adj	BP 0 B
RLY96	RELAY RIGHT COMB. STOP TURN LAMPS	GH 1 B
RLY98	RELAY, PDLO	BD 3 D
RLY99	RELAY, METHANE DETECTION	CI 0 C
RLY113	RELAY, L/R MPH/RPM BRAKE STATUS CONTROLLE	DE 4 B
S01A	SWITCH, MAIN LIGHTING	GA 0 B
S03	Switch, loading lamps / working lamps	GD 4 A
S05A	Switch, interior light, selector type	GH 4 D
S05B	Switch, interior light, selector type	GH 2 D
S05C	Switch, interior light, selector type	GH 3 D
S07	Switch, engine brake, selector type	BA 3 C
S08	Switch, differential gear lock, rear whe	BD 1 B
S09A	Switch, differential lock, rear inter-axl	FB 4 B
S13L	SWITCH, DIRECTIONAL SIGNAL LEFT	GA 2 C
S13R	SWITCH, DIRECTIONAL SIGNAL RIGHT	GH 0 D
S14L	SWITCH, HORN LEFT SIDE	GQ 0 C
S14R	SWITCH, HORN RIGHT SIDE	GQ 1 C
S016	SWITCH, ATC LIMITED SLIP	EC 3 B
S019A	SWITCH, POWER DIVIDER LOCKOUT	FB 3 B
S28A	Switch, power take off 1	FD 0 B
S28D	Switch, power take off 4	FC 1 B
S30	Switch unit, multi-function display	BE 1 B
S30A	SWITCH 1 LEFT IC DISPLAY	BE 2 A
S30B	SWITCH RIGHT IC DISPLAY	BG 1 A
S30C	SWITCH 1 RIGHT IC DISPLAY	BG 2 A
S31	Switch, TCS (Traction Control System)	EA 2 A
S40	Switch, rear view camera, camera selecti	KA 0 B
S43	Pressure switch, parking brake indicator	BA 3 E

REFERENCES

REF	DESCRIPTION	PAGE
S43D	SW. PRESS PARK BRAKE BODYBUILDER	BP 1 C
S44	Position switch, door, interior light, N	GH 4 E
S44L	SWITCH DOOR LEFT	GH 3 E
S48P	SWITCH PRESSURE SERVICE BRAKE PRIMARY	GA 4 B
S48PL	SWITCH SERVICE BRAKE PRIMARY N/O LEFT	DE 3 C
S48PR	SWITCH SERVICE BRAKE PRIMARY N/O RIGHT	DE 2 C
S48S	SWITCH PRESSURE SERVICE BRAKE SECONDARY	GA 4 B
S48SL	SWITCH SERVICE BRAKE SECONDARY N/O LEFT	DE 4 C
S48SR	SWITCH SERVICE BRAKE SECONDARY N/O RIGHT	DE 3 C
S54	Position switch, differential gear lock,	BE 4 B
S71	Pressure switch, compressor charging, NO	HA 0 C
S103	Switch, heated mirror, mirror adjustment	IC 0 B
S103	Switch, heated mirror, mirror adjustment	ID 2 B
S105	Switch, Hazard warning light	GH 2 D
S106PS	SWITCH, PASSENGER POWER WINDOW	IE 2 B
S107	SWITCH, DRIVER POWER WINDOW	IE 0 B
S115	Switch, Door lock	IF 1 C
S117	Position switch, differential lock, rear	BE 4 B
S123	Switch, Mirror defrost	IC 2 B
S123	Switch, Mirror defrost	ID 1 B
S130	Switch, Air suspension	FB 2 B
S146	Switch, R/+ and S/-	BA 0 C
S146B	SWITCH RIGHT R+/S-	BA 1 C
S147A	Switch, RPM regulation	BA 2 C
S147B	Switch, RPM regulation	BA 3 C
S169	Switch, Battery Main Switch	AC 3 D
S190	Switch, pressure sensor / airconditioning	HA 0 D
S217	Switch, ignition, selector type (dashboar	AC 0 C
S218	Stalk switch, windshield wiper, selector	GP 0 B
S314	SWITCH, RETARDER	DD 1 B
S330	SWITCH, BODY BUILDER PARK BRAKE	BB 0 D
S330	SWITCH, BODY BUILDER PARK BRAKE	BQ 0 C
S330JMP	SWITCH, BODY BUILDER PARK BRAKE JUMPER	BB 1 D
S330JMP	SWITCH, BODY BUILDER PARK BRAKE JUMPER	BQ 2 C
S331	SWITCH, PARKER PTO ENGAGED	FD 1 C
S332	SWITCH, DIMMER	GA 1 B
S339	SWITCH, MASTER LEFT/RIGHT DRIVE	BB 0 A
S340	SWITCH, WORK BRAKE PRIMARY 1	DE 1 C
S340A	SWITCH, WORK BRAKE PRIMARY 2	DE 0 B
S340B	SWITCH WORK BRAKE SECONDARY 1	DE 1 B
S340C	SWITCH, WORK BRAKE SECONDARY 2	DE 0 B
S341A	SWITCH TAG AXLE LIFT	FB 0 C
S341B	SWITCH PUSHER AXLE LIFT	FB 0 B
S344	SWITCH PRESSURE PRIMARY LOW AIR	BF 1 C
S344A	SWITCH PRESSURE SECONDARY LOW AIR	BF 2 C
S347	SWITCH MIRROR MEMORY	ID 2 B
S493L	SWITCH BRAKE AUTO NEUTRAL LEFT	DD 0 B
S493R	SWITCH BRAKE AUTO NEUTRAL RIGHT	DD 0 B
V03	Diode	GD 1 C
V33	Diode	BF 2 C

REFERENCES

REF	DESCRIPTION	PAGE
V34	Diode	DD 3 C
V35	DIODE, METHANE DETECTION	CI 0 D
X0C	SPLICE PACK, ILLUMINATION, SEE DIAGRAM GH BA 3 A	GH 3 A
X0C	SPLICE PACK, ILLUMINATION, SEE DIAGRAM GH GH 4 A	GH 4 A
X0C	SPLICE PACK, ILLUMINATION, SEE DIAGRAM GH HA 1 A	HA 1 A
X01	Connector, vehicle diagnostics	XD 2 C
X01A	Connector, vehicle diagnostics 16 poles	XA 1 C
X01A	Connector, vehicle diagnostics 16 poles	XB 2 D
X01A	Connector, vehicle diagnostics 16 poles	XC 1 D
X01A	Connector, vehicle diagnostics 16 poles	XD 2 C
X07A	POWER OUTLET #1	KC 1 C
X10	B+ pass through, Cab	AC 3 E
X11	Connector, Engine	CA 0 C
X11	Connector, Engine	HA 0 E
X11B	CONNECTORS CUMMINS '18 ISL G ENGINE	CJ 1 C
X18	Fusible Link	AD 1 B
X21B	Socket, Body builder connector	BC 0 C
X21C	Socket, Body builder connector	CJ 4 E
X21F	BODYLINK TMC RP170 POWERTRAIN	BP 0 D
X21G	BODYLINK TMC RP170 LIGHTING	BN 2 C
X21H	BODYLINK TMC RP170 POWER	BN 0 C
X34	JUNCTION, CB BINDING POST	KC 2 C
X71	GROUND, ENGINE BLOCK, ALTERNATOR, PRE-HE	AD 0 D
X110	Split Connector, ground	AD 2 B
X111	Split Connector, ground	AD 4 C
X111	Split Connector, ground	BC 0 C
X111	Split Connector, ground	CI 1 D
X111	Split Connector, ground	GD 2 B
X111	Split Connector, ground	HA 1 B
X135	Chassis Ground Stud	AD 1 C
X136	Cab Passthrough Ground Stud	AD 2 C
X137	Cab Ground Stud	AD 2 C
X137A	STUD CAB GROUND	AD 2 D
X140	Battery Box Ground Stud	AD 1 B
X141	CONNECTOR SHORE POWER BLOCK HEATER	CC 2 B
X175	JUNCTION BLOCK 14 POST MAIN	GG 2 D
X175	JUNCTION BLOCK 14 POST MAIN	NA 1 A
X178	JUNCTION BLOCK 5 POST OPTIONS	NB 1 B
X179	JUNCTION BLOCK 4 POST BODY BUILDER	KA 0 C
X179	JUNCTION BLOCK 4 POST BODY BUILDER	NB 3 D
X194	CONNECTOR,TGW BODYBUILDER INTERFACE	BI 1 D
X197	CONNECTOR EATS	BE 1 A
X197	CONNECTOR EATS	CA 2 B
X197	CONNECTOR EATS	CH 0 D
Y05	Solenoid valve, bogie lift	FB 0 D
Y11	Solenoid valve unit, ABS, front left	EA 0 B
Y11	Solenoid valve unit, ABS, front left	EC 1 D
Y12	Solenoid valve unit, ABS, front right	EA 1 B
Y12	Solenoid valve unit, ABS, front right	EC 1 D
Y13	Solenoid valve unit, ABS, rear left	EA 1 D

0

1

2

3

4

REFERENCES

REF	DESCRIPTION	PAGE
Y13	Solenoid valve unit, ABS, rear left	EC 1 B
Y14	Solenoid valve unit, ABS, rear right	EA 2 D
Y14	Solenoid valve unit, ABS, rear right	EC 1 B
Y15	Solenoid valve unit, ABS, lhs. 3:rd axle	EA 3 D
Y15	Solenoid valve unit, ABS, lhs. 3:rd axle	EC 3 D
Y16	Solenoid valve unit, ABS, rhs. 3:rd axle	EA 3 D
Y16	Solenoid valve unit, ABS, rhs. 3:rd axle	EC 3 D
Y18A	Solenoid valve, PTO1 (Power Take Off)	FC 1 D
Y35	Solenoid valve, engine cooling fan	CA 1 C
Y35E	SOLENOID ENGINE FAN E-VISCO	CJ 1 D
Y42	Clutch, magnetic, air conditioning compr	HA 0 E
Y51	Solenoid valve, Air dryer	FA 4 C
Y57	Solenoid valve, Automatic Traction Contr	EA 1 D
Y57	Solenoid valve, Automatic Traction Contr	EC 2 B
Y62	Solenoid valve, TCM backup	DC 0 C
Y81	Solenoid valve, AdBlue tank heating	CH 2 D
Y95	SOLENOID HIGH NG PRESSURE LOCKOFF	CG 2 D
Y137	Mega valve unit	FB 1 D
Y168	SOLENOID, PARKER PTO	FD 3 C
Z10	ONBOARD DIAGNOSTIC CONNECTOR VENDOR ENGIN	XB 1 C
Z10	ONBOARD DIAGNOSTIC CONNECTOR VENDOR ENGIN	XE 3 C

VOLVO Group Trucks Technology

Document title
WIRING DIAGRAM - TYPE-OL-LR 2019_OL-01

Document No

Issue

Volume

Page

Document type
PRODUCT SCHEMATIC

23456108

02

2 (2)

33 (33)

0

1

2

3

4