



MACK® MD6

BUILT FOR GROWTH.



MACK MD SERIES

Dependability, durability and steadfast support—everything you've come to expect from Mack is now available in a medium-duty truck: the Mack MD Series. The MD Series is packed from the exterior to the driver environment with features that ensure a smooth, stress-free ride—backed by our unmatched local dealer support when you need it. We've taken care of the details so you can focus on growing your business.

BORN READY.

MACK® MD6

KEY FEATURES

Cab air suspension (standard)

Full-width aluminum grated steps for easy entry and egress, horizontally offset for visibility (standard)

50-gallon fuel tank (standard), 90-gallon (optional)

Frame rails with 120,000 psi yield strength (standard)

34-inch assembled frame width (standard)

Rear leaf spring suspension (standard), Mack Maxlite AirRide (optional) on 206-inch wheelbases and longer

Tires 11R22.5 (standard), 255/70R22.5 Low Profile tires (optional)

Steel, white powder coated disc wheels (standard), aluminum wheels (optional)

Passenger door lower peep window (standard)

Flat back-of-cab and clear frame platform for easy body installation (standard)

8 wheelbases to accommodate short to long body lengths of various types

Clear side frame space for customer add-ons



Comfortable Interiors

The Mack MD6 brings heavy-duty levels of driver comfort and functionality to medium-duty trucks, to keep drivers comfortable and safe all day. Tilt/telescoping steering column, air suspension driver seat and all controls within easy reach keep drivers in control.

All Day Uptime

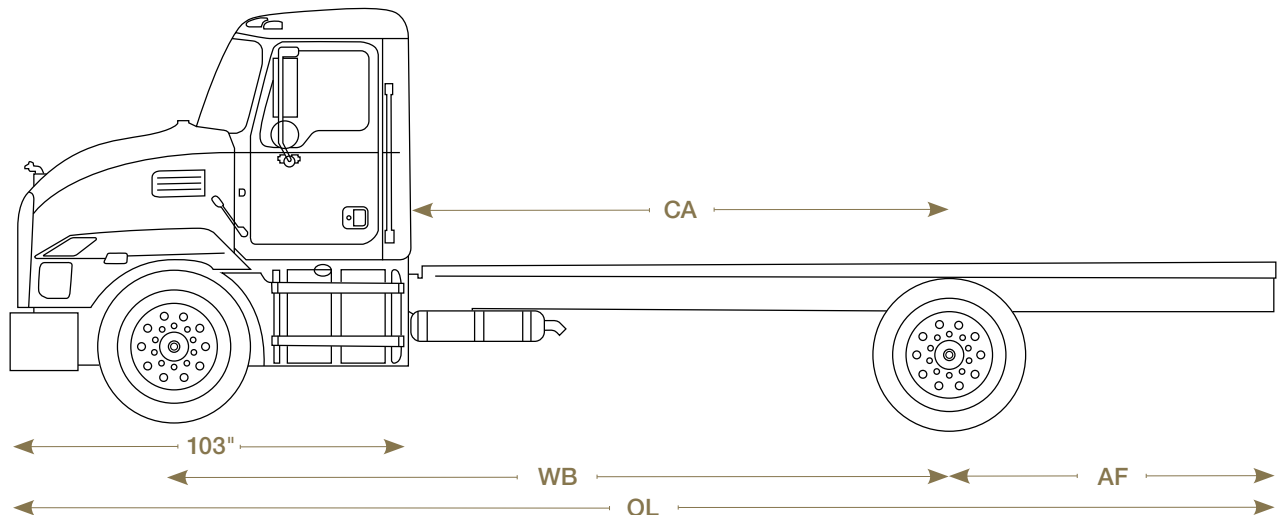
The MD6 is standard with Geotab providing basic telematics and upgradeable for enhanced fleet management. MD Series customers also have access to Mack's industry-leading Uptime Services. Mack's ASIST platform streamlines and shares service communications among the customer, dealer and Mack's 24/7 Uptime Center.

Typical Dry Van Body Length (ft.)		10	12/14	16	18	20	22	24	26/28*
Wheelbase*	WB (in.)	150	166	186	206	221	236	251	270
Cab-to-Rear Axle	CA (in.)	87	103	123	143	158	173	188	207
After Frame	AF (in.)	50	55	60	65	70	80	90	100
Chassis Overall Length	OL (in.)	240	261	286	311	341	356	381	410
GVWR	(lb.)	25,995	25,995	25,995	25,995	25,995	25,995	25,995	25,995
Front Axle Capacity (standard)	(lb.)	10,000	10,000	10,000	10,000	10,000	10,000	10,000	10,000
Rear Axle Capacity (standard)	(lb.)	17,000	17,000	17,000	17,000	17,000	17,000	17,000	17,000
Front Axle Weight**	(lb.)	6,080	6,210	6,250	6,315	6,345	6,395	6,440	6,470
Rear Axle Weight**	(lb.)	3,490	3,425	3,450	3,470	3,515	3,550	3,590	3,640
Total Chassis Weight***	(lb.)	9,570	9,635	9,700	9,785	9,860	9,945	10,030	10,110

*Wheelbase selection should be based on specific weight distribution.

**Base model GVWR, ratings and chassis weights

***Total Chassis Weight is for standard specifications excluding driver and fuel



MACK® MD6

ENGINE	Cummins B6.7 Inline 6-cylinder, Turbo/Intercooled Diesel
Horsepower/Torque	220 hp/600 lb. ft. EPA (std)/CARB (opt)
	240 hp/560 lb. ft. EPA (std)/CARB (opt)
	250 hp/660 lb. ft. EPA (std)/CARB (opt)
	260 hp/660 lb. ft. EPA (std)/CARB (opt)
	280 hp/660 lb. ft. EPA (std)/CARB (opt)
	300 hp/660 lb. ft. EPA (std)/CARB (opt)
Air Cleaner Type	12 in.
Alternator	Delco 12V, 145 amp
Batteries	Dual 760CCA (1520 total CCA)
Engine Brake	Cummins, with dash switch
Fuel Filter	Filter and Water Separator
	Heated, Fuel and Water Separator
Starter	Melco12V

TRANSMISSION	STANDARD	OPTIONAL
		Allison 2500HS
		Allison 3000RDS
	6-speed, double OD rated up to 660 lb. ft. torque, w/Fuel Sense and Neutral-at-Stop	

Rear Axle Ratios	4.88*	5.29	5.57	5.83
-------------------------	-------	------	------	------

*4.88 R/A ratio not available with MS-17-13X or 14x rear axle
 *4.88 R/A ratio not available with 11R22.5 tires

FRONT AXLE

GAWR	10,000 lbs.
Axle Type	Meritor MFS-10, I-Beam
Suspension	Mack Taper-leaf, 10,000 lbs.
Shock Absorbers	Telescopic type

CHASSIS FRAME

Rail Dimensions	10.24 in. x 2.75 in. x 0.275 in. (260 x 70 x 7 mm)
Yield Strength and RBM	120k psi, 1,373m RBM
Assembled Width	34 in. (864 mm)

REAR AXLE	STANDARD	OPTIONAL	OPTIONAL	OPTIONAL	OPTIONAL	OPTIONAL
GAWR (lb.)	17,000	17,000	19,000	19,000	21,000	21,000
Axle Type – Meritor	MS-17-13x	MS-17-14x**	MS-19-13x	MS-19-14x**	MS-21-13x	MS-21-14x**
Suspension – Taper-leaf (lb.)	19,000			21,000		
Suspension – Optional (lb.)***	Mack Maxlite 190 19,000***			Mack Maxlite 210 21,000***		

☐ Shaded areas indicate optional equipment.

**Rear axle option equipped with driver controlled differential lock.

***Rear air suspension available on 206-, 221-, 236-, 251- and 270-inch wheelbases only.

CAB	Steel cab with premium trim level
Air Conditioning	Standard
Audio	AM/FM with Bluetooth
Body Builder Prep	Harness & 12 pin RP140a connectors for body lighting connection
Cab Lighting	Interior courtesy lights (2)
Cab Mirrors	Black finish with integral convex mirror
Cab Suspension	Dual airbag cab suspension
Cruise Control	Standard
Cup Holders	Two large cup holders in console
Passenger Door Window	Lower door peep window with lens
Power Outlets	12 volt and USB
Power Steering	Standard
Power Windows and Locks	Standard
Pro Dash	Premium dash cluster
Seat Driver	High back, air suspension w/vinyl trim
Seat Passenger	High back, fixed base w/vinyl trim
Steering Column	Tilt and Telescopic
Steering Wheel	Flat-bottom steering wheel
Sun Visors	Driver and passenger

BRAKE SYSTEM

	Bendix Antilock Braking System “S” Cam Air Brake System
Front Brakes	Meritor S Cam Q+, 16.5 in. x 5 in.
Rear Brakes	Meritor S Cam Q+, 16.5 in. x 7 in.
Parking Brake	Rear axle, spring brake

FUEL TANK

	Round 22 in., driver side, 50 gallons
	Round 22 in., driver side, 90 gallons
DEF TANK	25 liter, passenger side

WHEELS

	Accuride steel disc, powder coated white wheels 8.25 in. x 22.5 in., offset 6.6 in., 5-hole
	Accuride aluminum wheels 8.25 in. x 22.5 in., offset 6.59 in., 10-hole
TIRES – Front	Bridgestone R268 Ecopia radials, 11R22.5 (G)
	Bridgestone R255 ED radials, 255/70R 22.5 (H)
– Rear	Bridgestone R268 Ecopia radials, 11R22.5 (G)
	Bridgestone M760 Ecopia radials, 11R22.5 (G)
	Bridgestone M726 radials, 255/70R 22.5 (H)

MACK® MD6



WARRANTY SUMMARY	MD Series
Typical Vocations	Distribution, Short Haul or P&D
Axle Configuration	4 x 2
Basic Coverage	24 months/unlimited miles*
Batteries	12 months/unlimited miles*
Chassis Towing	90 days or 5,000 miles (8,047 KM), whichever occurs first*
Air Conditioning	24 months/unlimited miles—air conditioning (sealed system only)
Engine/Emission	Warranty coverage provided by Cummins Engine—both EPA and CARB
Transmission	Warranty coverage provided by Allison
Driveline, Rear Axle, Front Steer Axle	12 months/unlimited miles*
Cab Structure and Internal Cab Corrosion	60 months/unlimited miles*
Frame Rail/Cross Members	60 months/unlimited miles*
Noise Emission	Life of vehicle*

*See complete warranty certificate for details.

Shaded areas indicate optional equipment.

All illustrations, specifications and descriptions in this specification are based on the latest product information available at the time of this publication. The right is reserved to make changes in price, materials, equipment, design, specifications, diagrams and models, and to discontinue models of equipment at any time, without notice and without incurring any obligation whatsoever. For more information on additional options and accessories, contact Mack Trucks, Inc. (www.macktrucks.com).

UPTIME SUMMARY	MD Series Models
Mack OneCall™	12 months
Mack ASIST	12 months
Geotab Basic	12 months
PURCHASE OPTIONS	
Mack OneCall	24–60 months, in 12 month increments
Mack ASIST	24–60 months, in 12 month increments
Geotab Basic	24–60 months, in 12 month increments
Geotab Plus	12–60 months, in 12 month increments
OTHER OPTIONS	
Allison Upgrade	Fuel Sense Premium w/Dynactive and NAS
Battery Shut Off	Under cab, passenger side
Bumper/Grille	Chrome bumper and grille combination
Cab Mirrors	Black finish w/convex mirror, heated and motorized
	Chrome finish w/convex mirror, heated and motorized
Drivers and Passenger	Modura cloth upgrade seat upholstery
Engine Block Heater	120V–750W (0.75KW)
Passenger Seat	Two-person bench seat w/vinyl and under seat storage
PTO Prep	Harness and switch kit
Seat Belts	Orange driver and passenger belts

