

Engineering Release Notice (ERN)	Location	Change Description	A = Added D = Deleted	W = Was	Document Release Status RELEASED
D-15704-42		SEE DCN			Date Modification Count

WIRING DIAGRAM INDEX, 12V

NAME	DESCRIPTION	PAGE	NAME	DESCRIPTION	PAGE
AA	POWER DISTRIBUTION 1/2	2	EC	VEHICLE ECU (ECS)	43
AB	POWER DISTRIBUTION 2/2	3	FA	AIR DRYER/HEATED DRAIN	44
AC	KEY SW., START & CHARGING	4	FB	CHASSIS SOLENOIDS	45
AD	GROUNDING 1/2	5	FD	PARKER PTO	46
AE	BATTERY CONFIGURATION	6	FE	CENTRAL TIRE INFLATION	47
AF	GROUNDING 2/2 CUMMINS	7	GA	LIGHTING CONTROL	48
AG	STARTING AND CHARGING CUMMINS	8	GD	LIGHTING-FORWARD/SIGNAL (CXU, GU7, GU8)	49
AH	EARC CUMMINS	9	GE	LIGHTING-FORWARD/SIGNAL (CHU ONLY)	50
BA	VEHICLE ECU 1/4	10	GF	LIGHTING-TAIL/PERIMETER	51
BB	VEHICLE ECU 2/4	11	GG	TRAILER LIGHTING CONTROL	52
BC	VEHICLE ECU 3/4- DCL CONNECTOR	12	GH	INTERIOR LIGHTING	53
BD	VEHICLE ECU 4/4	13	GI	SNOW PLOW PREP CONNECTOR	54
BE	INSTRUMENT CLUSTER 1/3	14	GJ	TRAILER RECEPTACLE CENTER PIN HOT	55
BF	INSTRUMENT CLUSTER 2/3	15	GK	TITAN LIGHTING OPTIONS	56
BG	INSTRUMENT CLUSTER 3/3	16	GL	LIGHTING - BEACON LAMPS	57
BH	ALLISON BODY BUILDER INTERFACE	17	GM	LIGHTING: ROOF W / OPTIONS	58
BI	INSIDE-OUTSIDE AIR TEMP. GAUGE	18	GP	WIPER WASHER	59
BJ	BODY BUILDER CIRCUITS	19	GQ	HORN WIRING/SPOT LAMP	60
BK	BODY BUILDER CIRCUITS-2010 BODYLINK	20	HA	CLIMATE CONTROL	61
BL	ENGINE BRAKE CONTROL M-DRIVE	21	HB	APADS WIRING	62
BM	TELEMATICS GATEWAY (TGW)	22	HC	HEATED SEATS & WINDSHIELD,AUX FAN 1/2	63
BN	BODY BUILDER CIRCUITS	23	HD	SLEEPER CLIMATE CONTROL	64
BU	QUALCOMM MCP 100 W/SLEEPER	24	HE	SLEEPER FUNCTIONS	65
BV	QUALCOMM MCP 110 OR 200 W/SLEEPER	25	HF	120V AC SYSTEM INVERTER	66
BW	QUALCOMM MCP 100 W/DAYCAB	26	HG	HEATED SEATS & WINDSHIELD, AUX FAN 2/2	67
BX	QUALCOMM MCP 110 OR 200 W/DAYCAB	27	IA	RH & LH MOTORIZED WINDOWS	68
CA	ENGINE INTERFACE MP11	28	IC	MIRROR CONTROL 1/2	69
CB	DPF REGENERATION SYSTEM	29	ID	RH ONLY MOTORIZED WINDOW & DOOR CNTR.	70
CC	ENGINE HEATER	30	IE	RH & LH DOOR CONTROL	71
CD	UREA DOSING SYSTEM	31	JA	ADAPTIVE CRUISE CONTROL 1/2	72
CE	ENGINE CONTROL ISL US13 1/2	32	JB	ADAPTIVE CRUISE CONTROL 2/2	73
CF	ENGINE CONTROL ISL US13 2/2	33	KA	AUDIO SYSTEM	74
CG	ENGINE CONTROL ISX12G 1/2	34	KC	POWER OUTLETS CONNS. FLOOR LIGHTING	75
CH	ENGINE CONTROL ISX12G 2/2	35	NA	IGNITION & BATTERY SW & SPARE CONNS	76
DA	TRANSMISSION M-DRIVE	36	NB	JUNCTION POSTS	77
DB	TRANSMISSION CNTR:AUTOSHIFT/ULTRASHIFT III	37	NC	ADDITIONAL IGN. & BATTERY SWITCHES 1/3	78
DC	TRANSMISSION CNTL:4 GENERATION 1/2	38	ND	H.D. POWER LIFT GATE	79
DD	TRANSMISSION CNTL:4 GENERATION 2/2	39	NE	ADDITIONAL IGN & BATTERY SWITCHES 2/3	80
DE	TRANSMISSION CONTROLS M-DRIVE	40	NF	ADDITIONAL IGN & BATTERY SWITCHES 3/3	81
EA	ABS-WABCO	41	XA	DATA LINK / DIAGNOSTICS	82
EB	ABS BENDIX WITH ESP (EATON)	42	XB	J1939 CAN 1 DIAGRAM	83

The copying, distribution and utilization of this document as well as the communication of its contents to others without expressed authorization is prohibited. Offenders will be held liable for payment of damages. All rights reserved in the event of the grant of a patent, utility model or ornamental design registration.

Document Title
WIRING DIAGRAM
12V MACK, 2013BP
PC28, ENG-CU12

MACK

Mack Trucks, Inc.

Document Type
TECHNICAL REGULATION

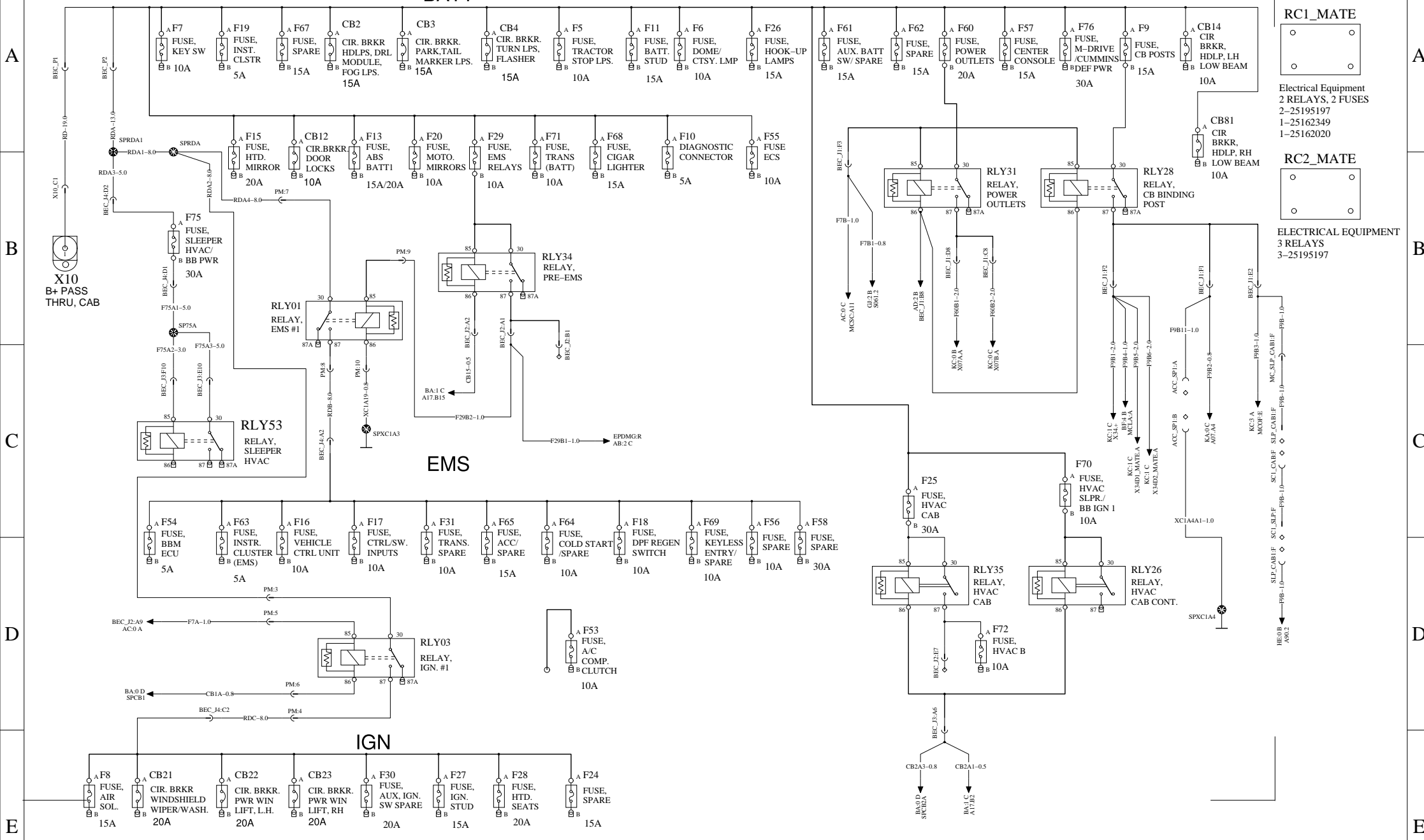
Owner Domain: Document Prefix

Document No	Issue Index	Volume No	Page No
22234428	02	01	1(83)

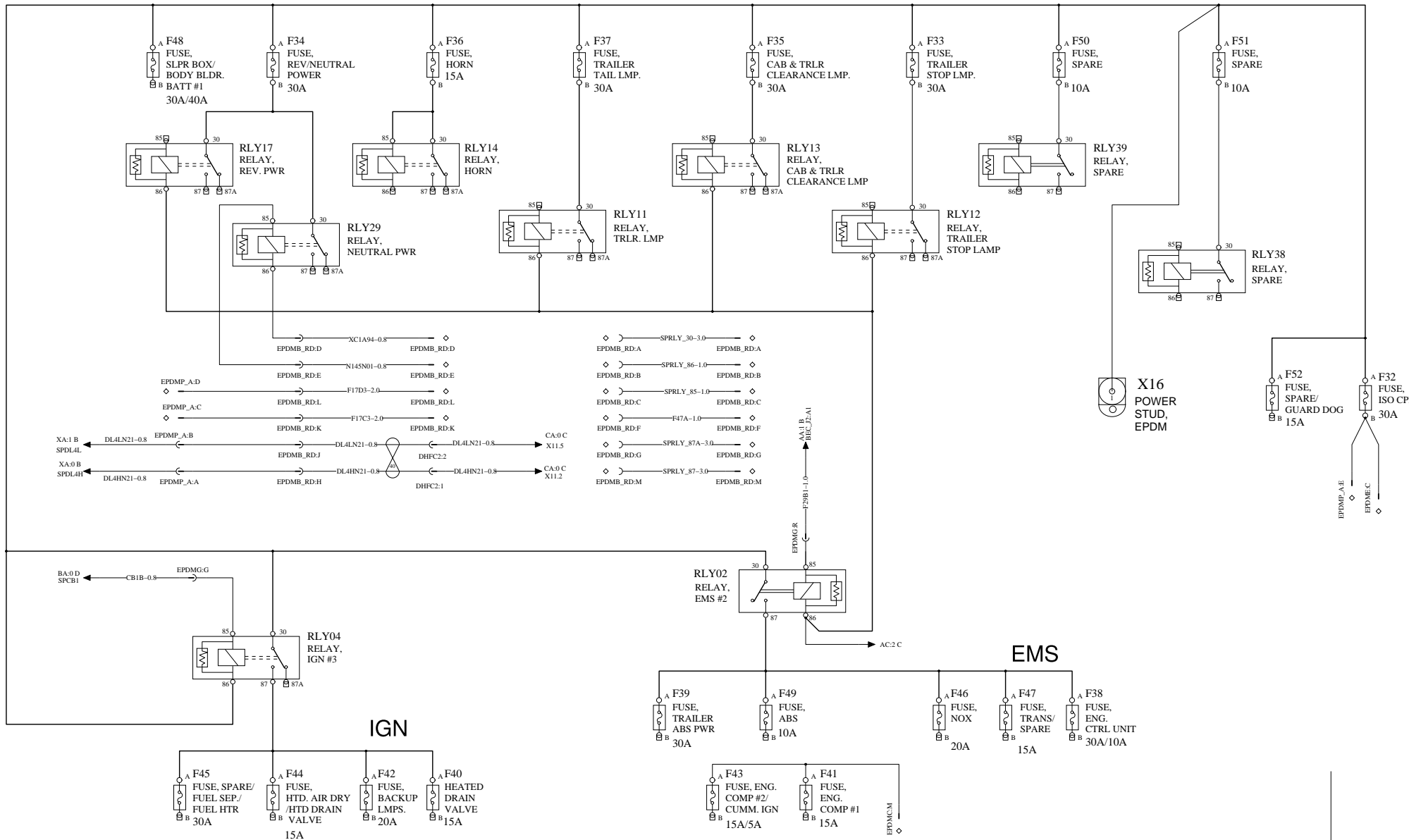
POWER DISTRIBUTION 1/2

BATT

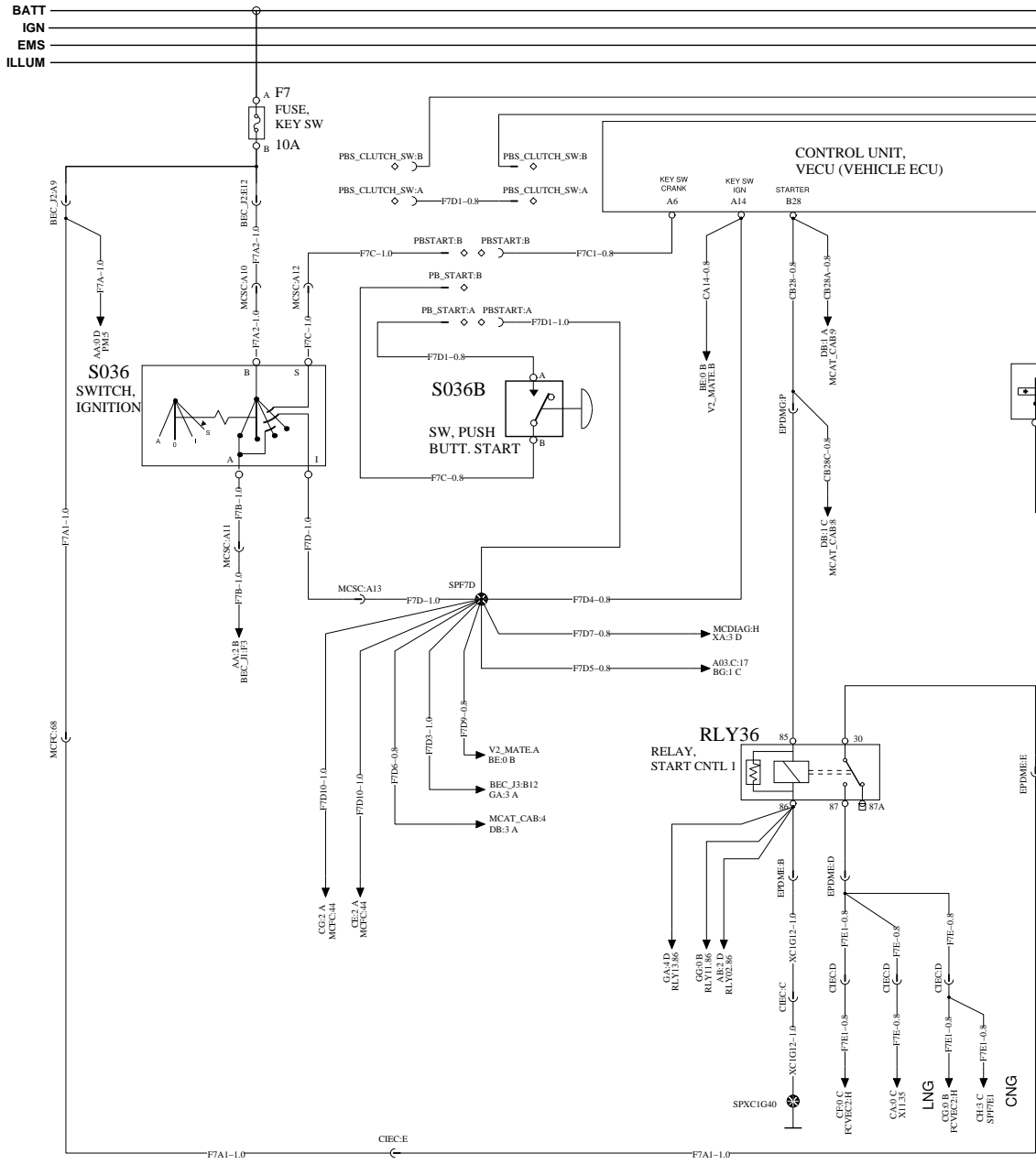
WIRING DIAGRAM: AA



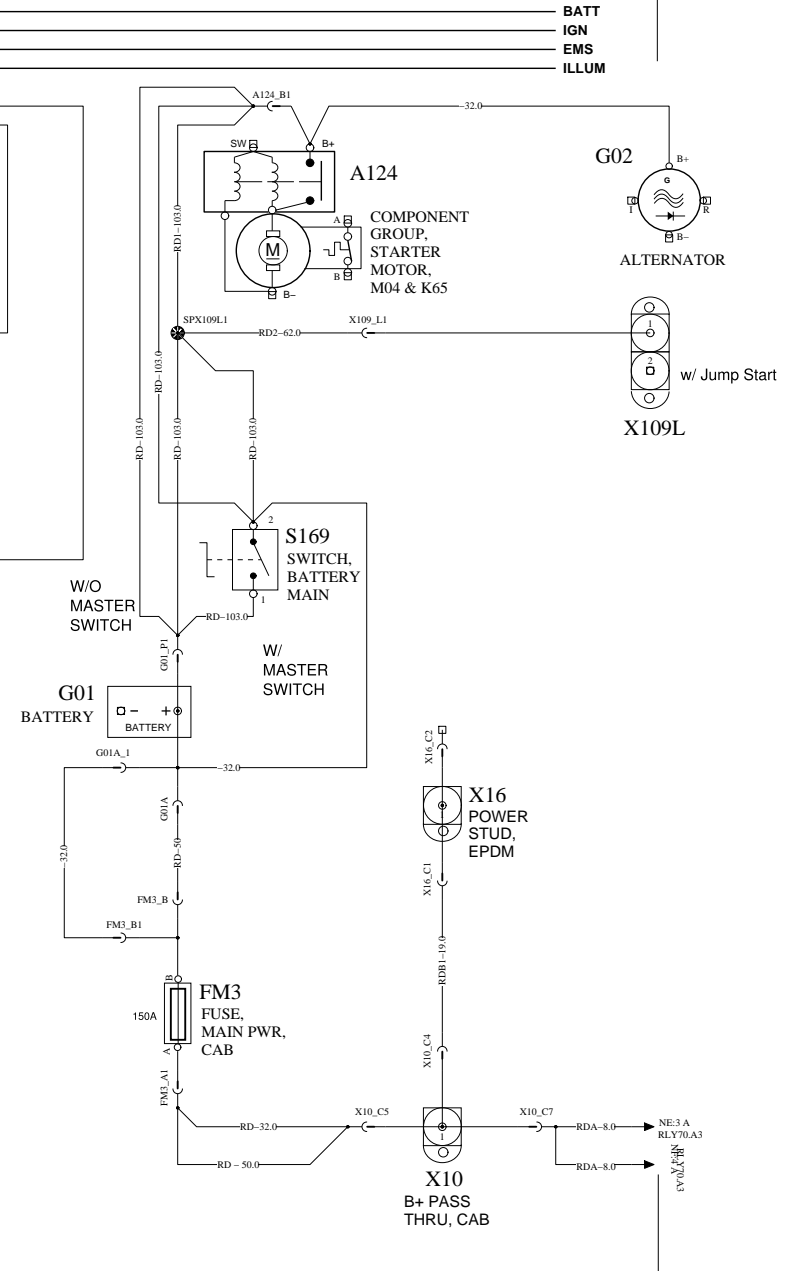
BATT



KEY SW. , START & CHARGING



WIRING DIAGRAM: AC

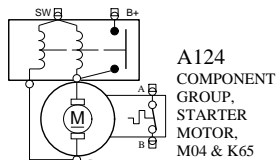
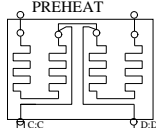


GROUNDING

WIRING DIAGRAM: AD

BATT
IGN
EMS
ILLUM

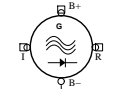
R01
HEATER, ENG.
PREHEAT



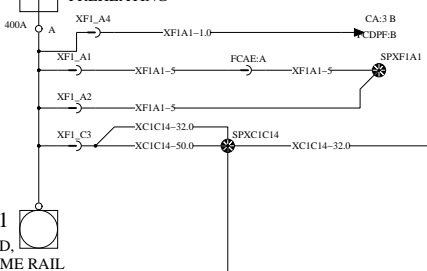
A124
COMPONENT
GROUP,
STARTER
MOTOR,
M04 & K65

w/o Jump Start

G02
ALTERNATOR



FM1
FUSE,
MAIN GND
PREHEATING



XF1
STUD,
FRAME RAIL

XG9
STUD,
ENGINE
BLOCK

SEE SCHEMATIC
AF FOR CUMMINS

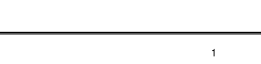
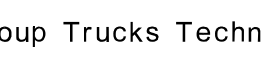
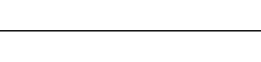
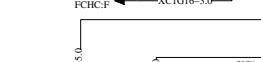
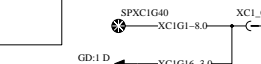
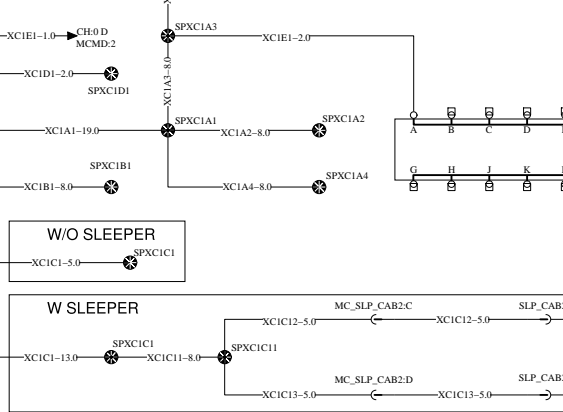
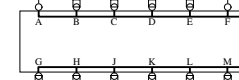
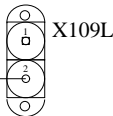
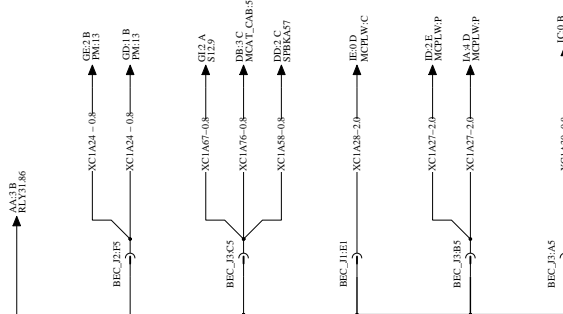
XC1
LH CAB
GND

W/O SLEEPER
XC1C1-5.0

W SLEEPER
XC1C1-13.0

X0A_MATE
SPLICE PACK,
GROUND

XH
GROUND
JUNCTION



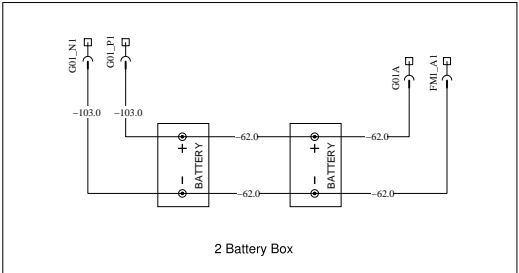
Document title
WIRING DIAGRAM - PC28 - 12V MACK - 2013BP - ENG-CU12
Document type
PRODUCT SCHEMATIC

Document No
22234428
Issue
02
Volume
01
Page
5 (83)

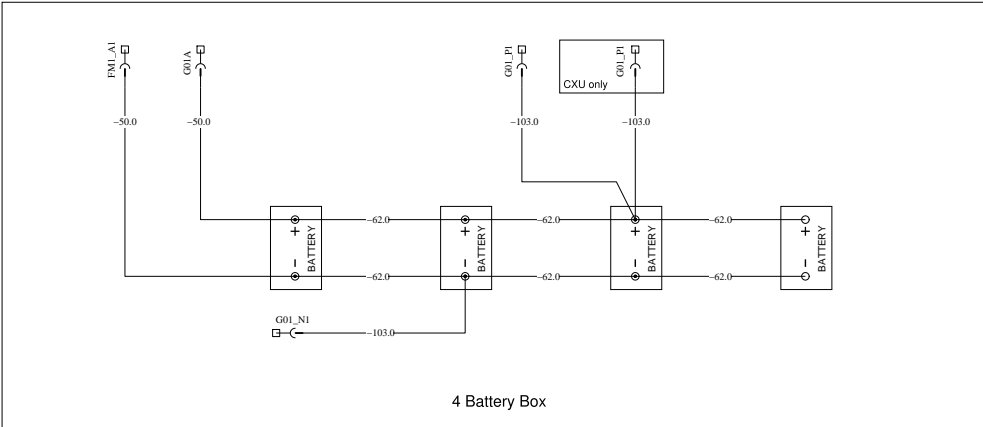
BATTERY CONFIGURATION

WIRING DIAGRAM: AE

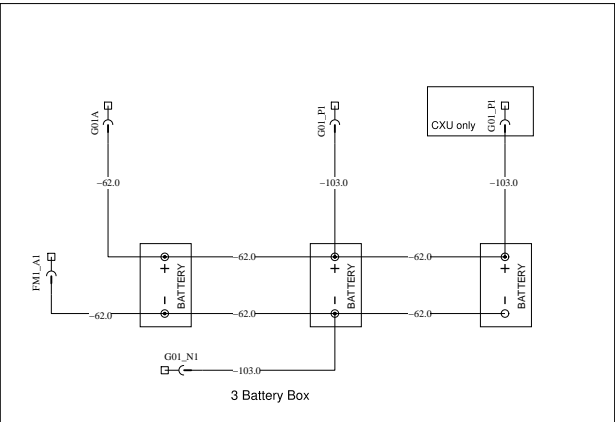
BATT _____ **BATT**
IGN _____ **IGN**
EMS _____ **EMS**
ILLUM _____ **ILLUM**



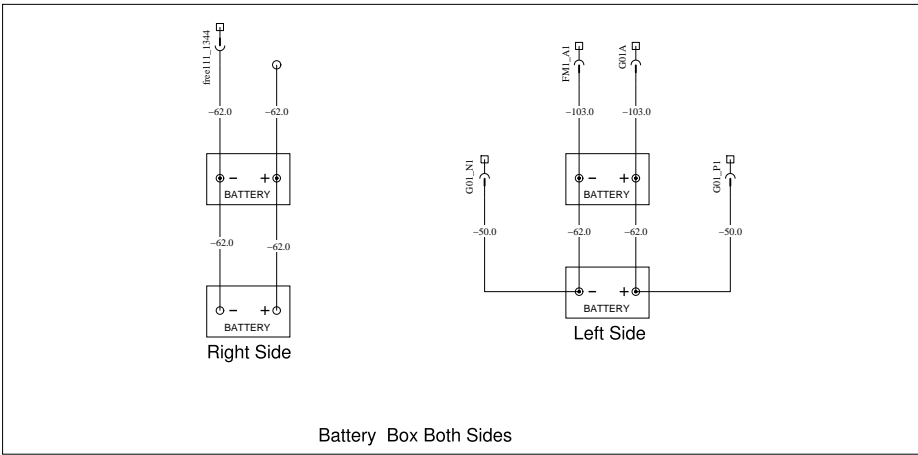
2 Battery Box



4 Battery Box



3 Battery Box



Battery Box Both Sides



Group Trucks Technology

Document title
WIRING DIAGRAM - PC28 - 12V MACK - 2013BP - ENG-CU12
 Document type
PRODUCT SCHEMATIC

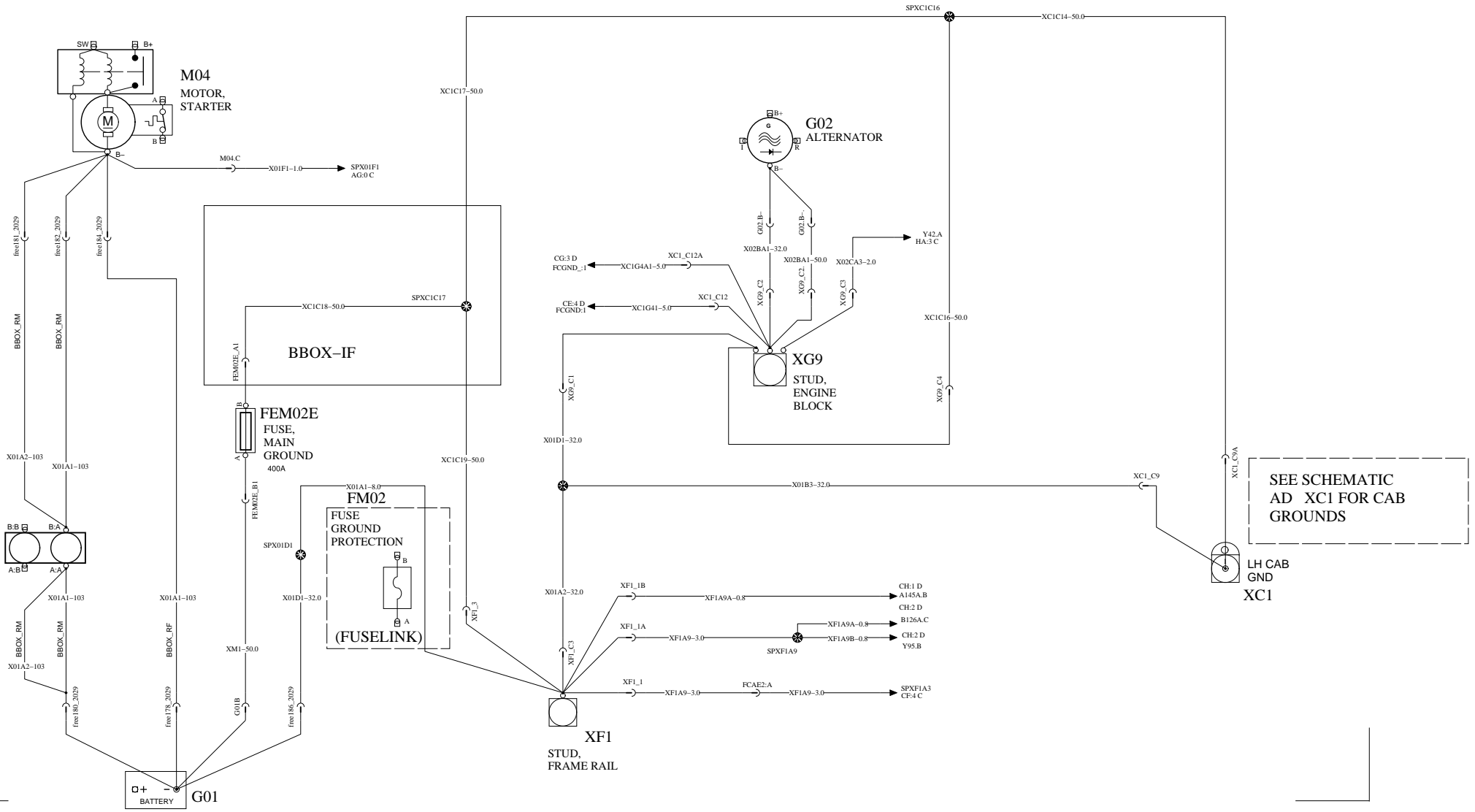
Document No
22234428

Issue	Volume	Page
02	01	6 (83)

GROUNDING 2/2, CUMMINS

WIRING DIAGRAM: AF

BATT _____ BATT
IGN _____ IGN
DR _____ DR
ACC _____ ACC
ILLUM _____ ILLUM



SEE SCHEMATIC
AD XC1 FOR CAB
GROUNDS



Group Trucks Technology

Document title
WIRING DIAGRAM - PC28 - 12V MACK - 2013BP - ENG-CU12
Document type
PRODUCT SCHEMATIC

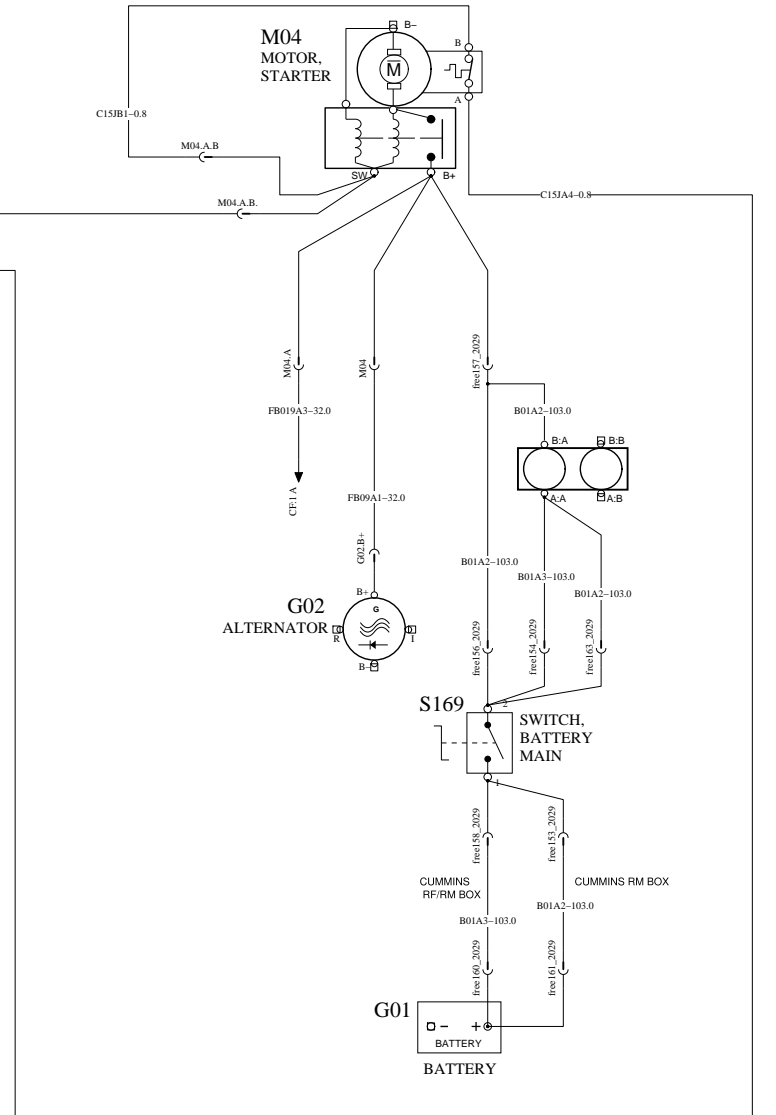
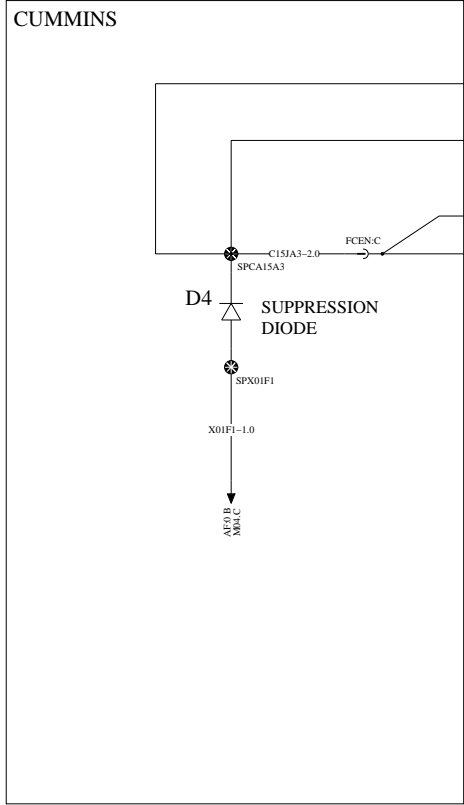
Document No	Issue	Volume	Page
22234428	02	01	7 (83)

STARTING AND CHARGING, CUMMINS

WIRING DIAGRAM: AG

BATT
IGN
DR
ACC
ILLUM

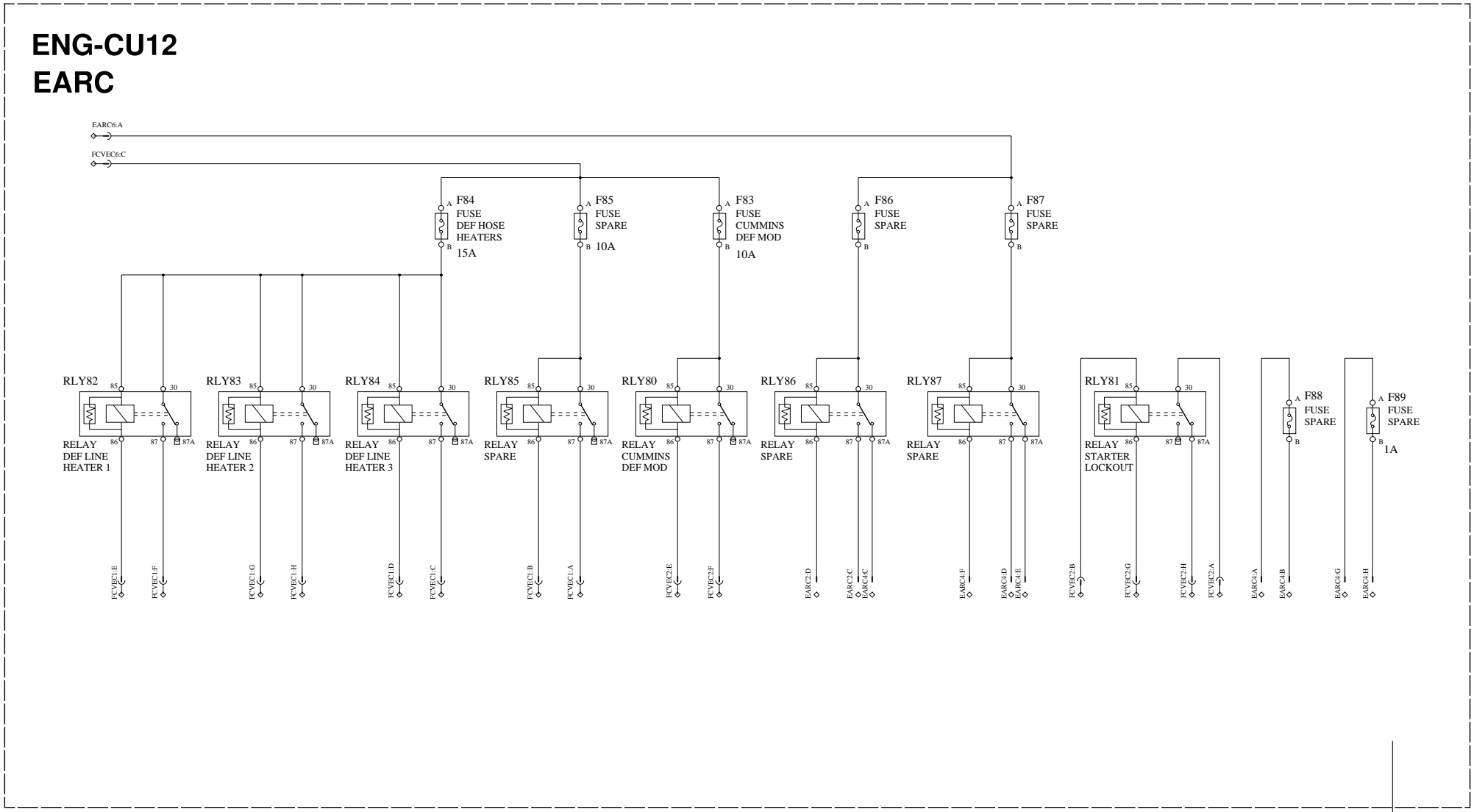
BATT
IGN
DR
ACC
ILLUM



BATT
IGN
EMS
ILLUM

BATT
IGN
EMS
ILLUM

ENG-CU12 EARC



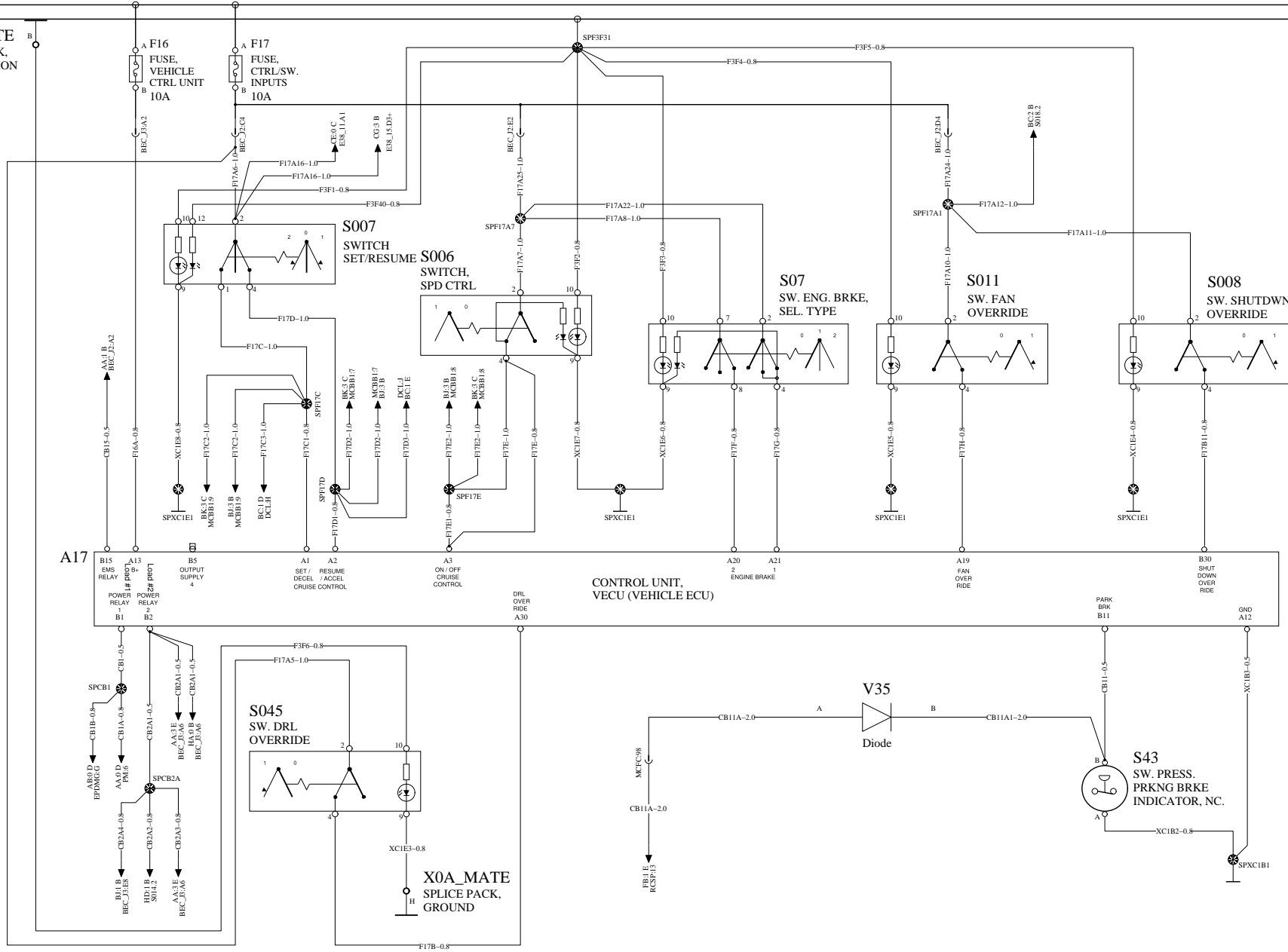
VEHICLE ECU 1/4

WIRING DIAGRAM: BA

BATT
IGN
EMS
ILLUM

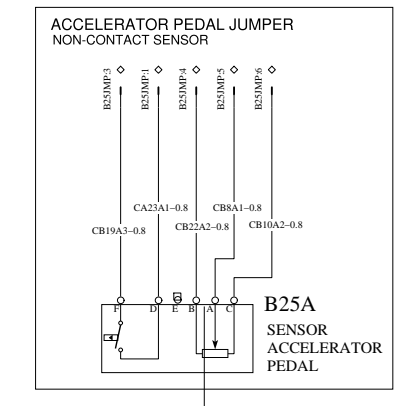
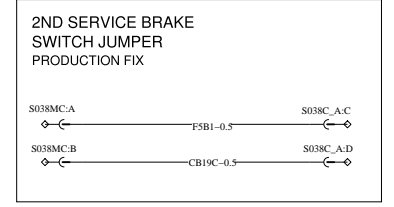
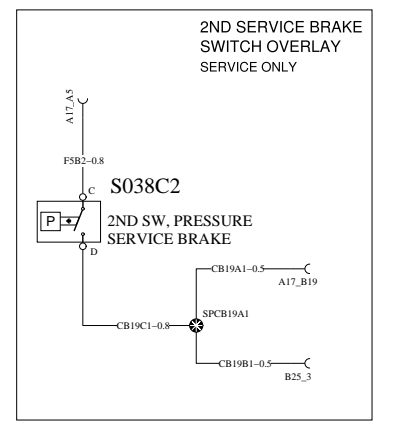
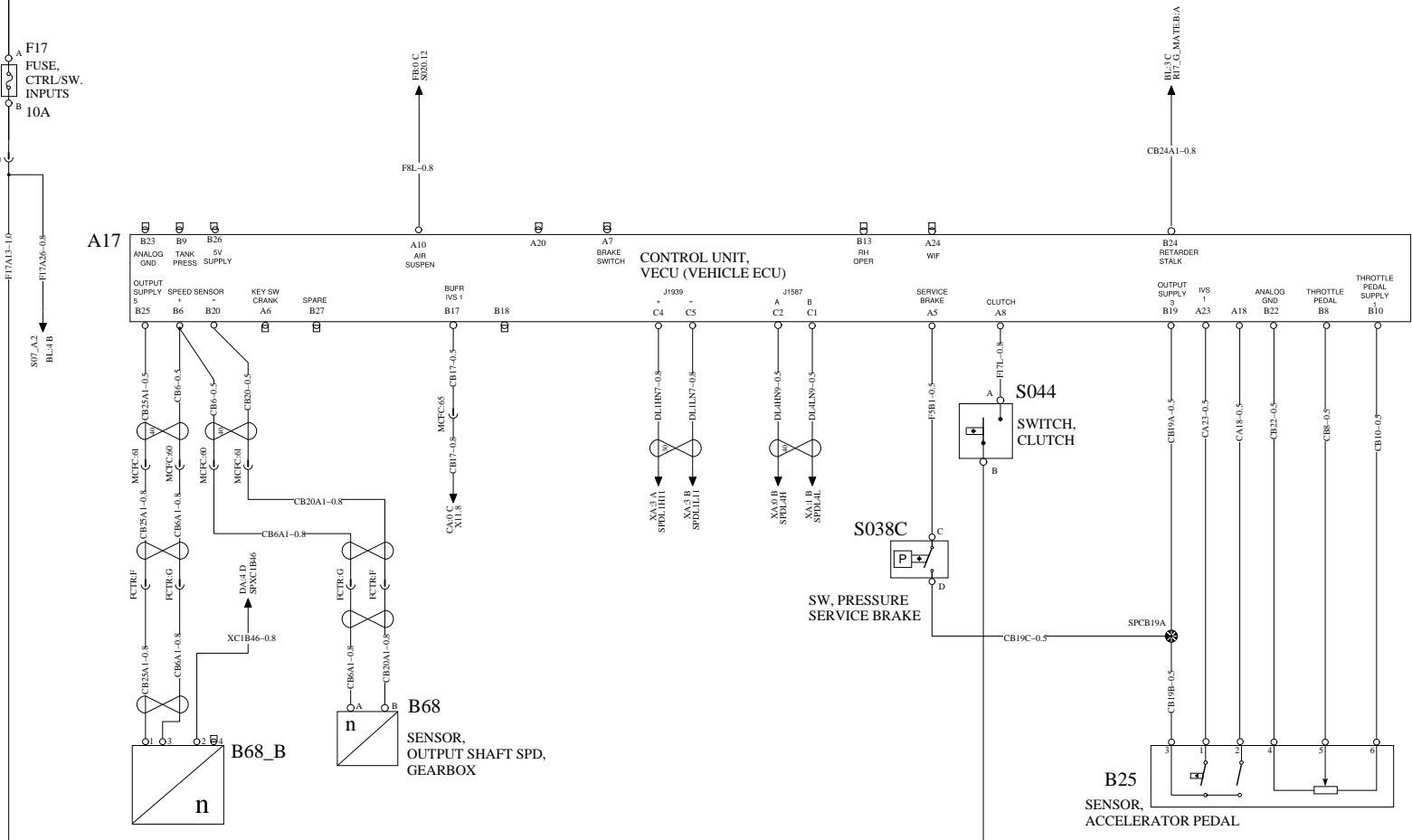
XOC_MATE
SPLICE PACK,
ILLUMINATION

BATT
IGN
EMS
ILLUM



BATT
IGN
EMS
ILLUM

BATT
IGN
EMS
ILLUM

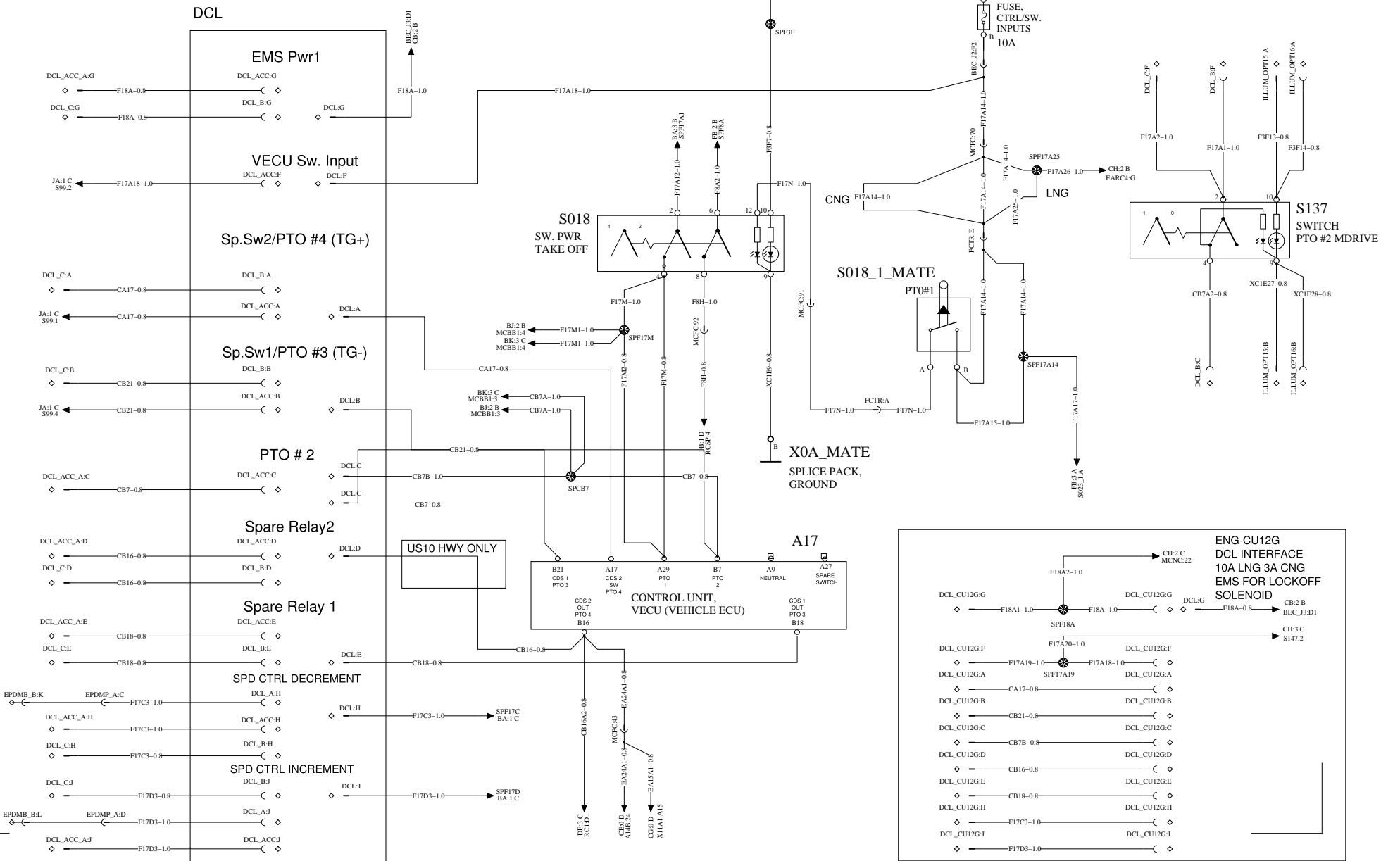


VEHICLE ECU 3/4 - DCL CONNECTOR

WIRING DIAGRAM: BC

BATT
IGN
EMS
ILLUM

BATT
IGN
EMS
ILLUM

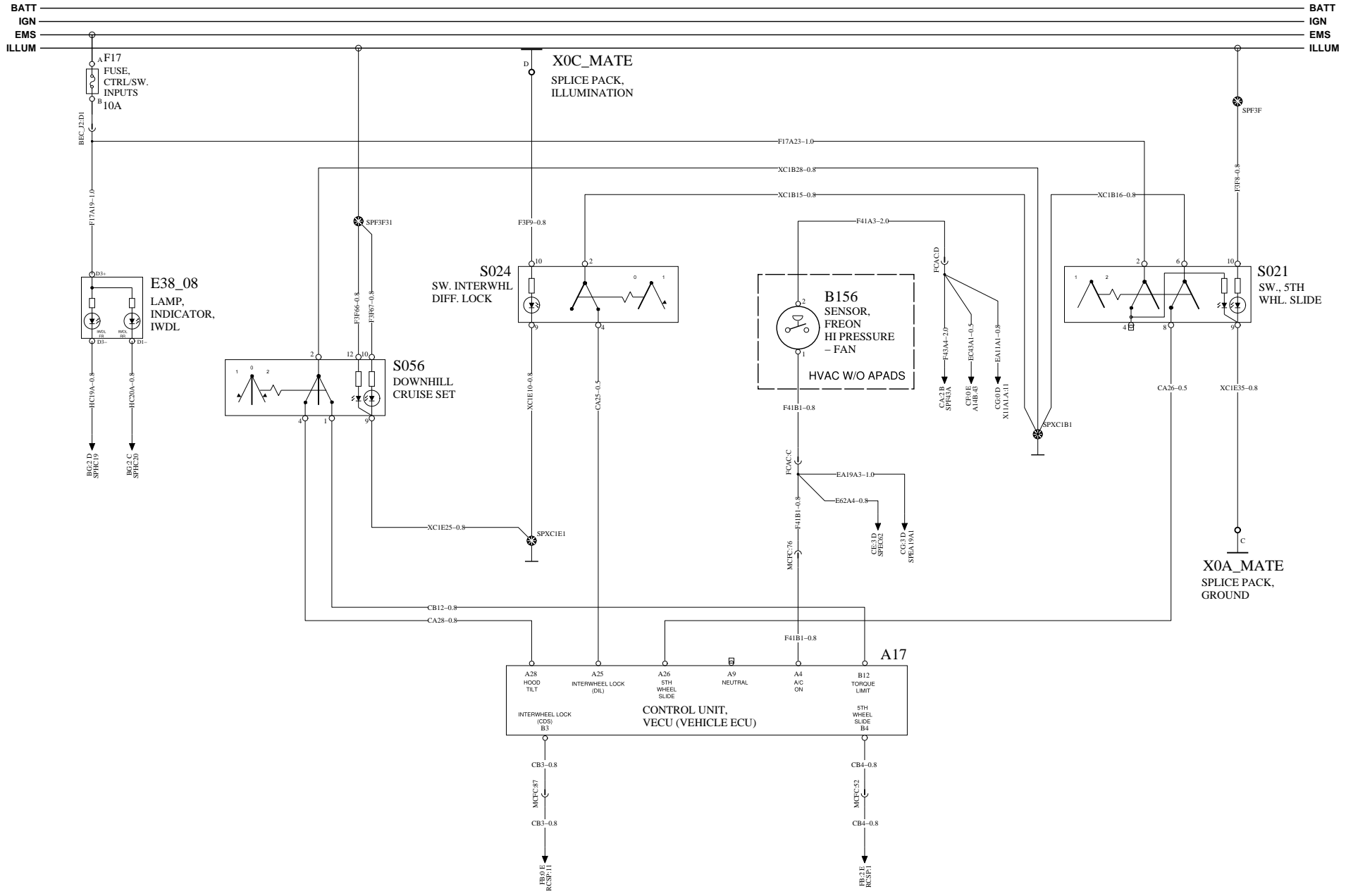


Group Trucks Technology

Document title
WIRING DIAGRAM - PC28 - 12V MACK - 2013BP - ENG-CU12

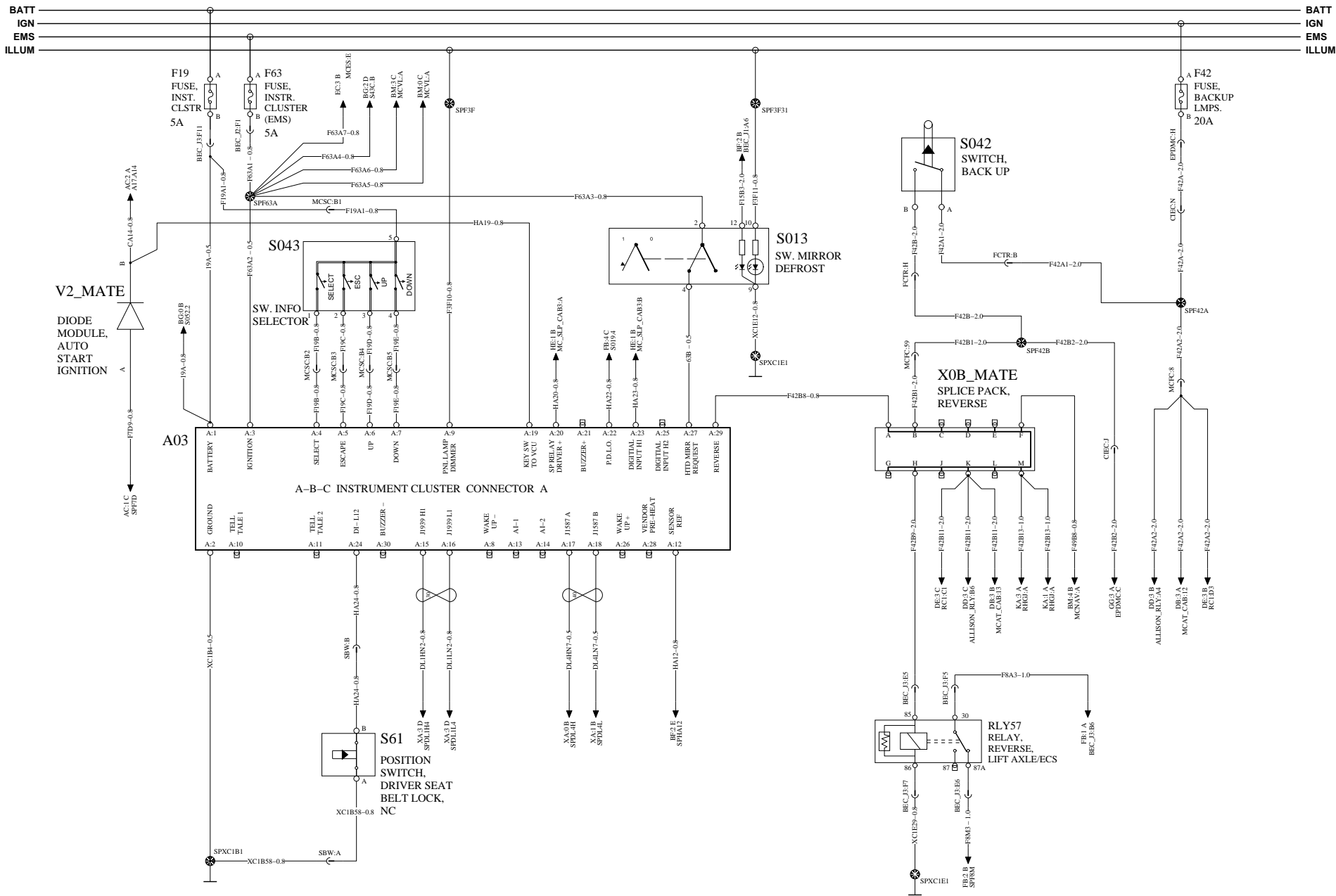
Document type
PRODUCT SCHEMATIC

Document No	Issue	Volume	Page
22234428	02	01	12 (83)



INSTRUMENT CLUSTER 1/3

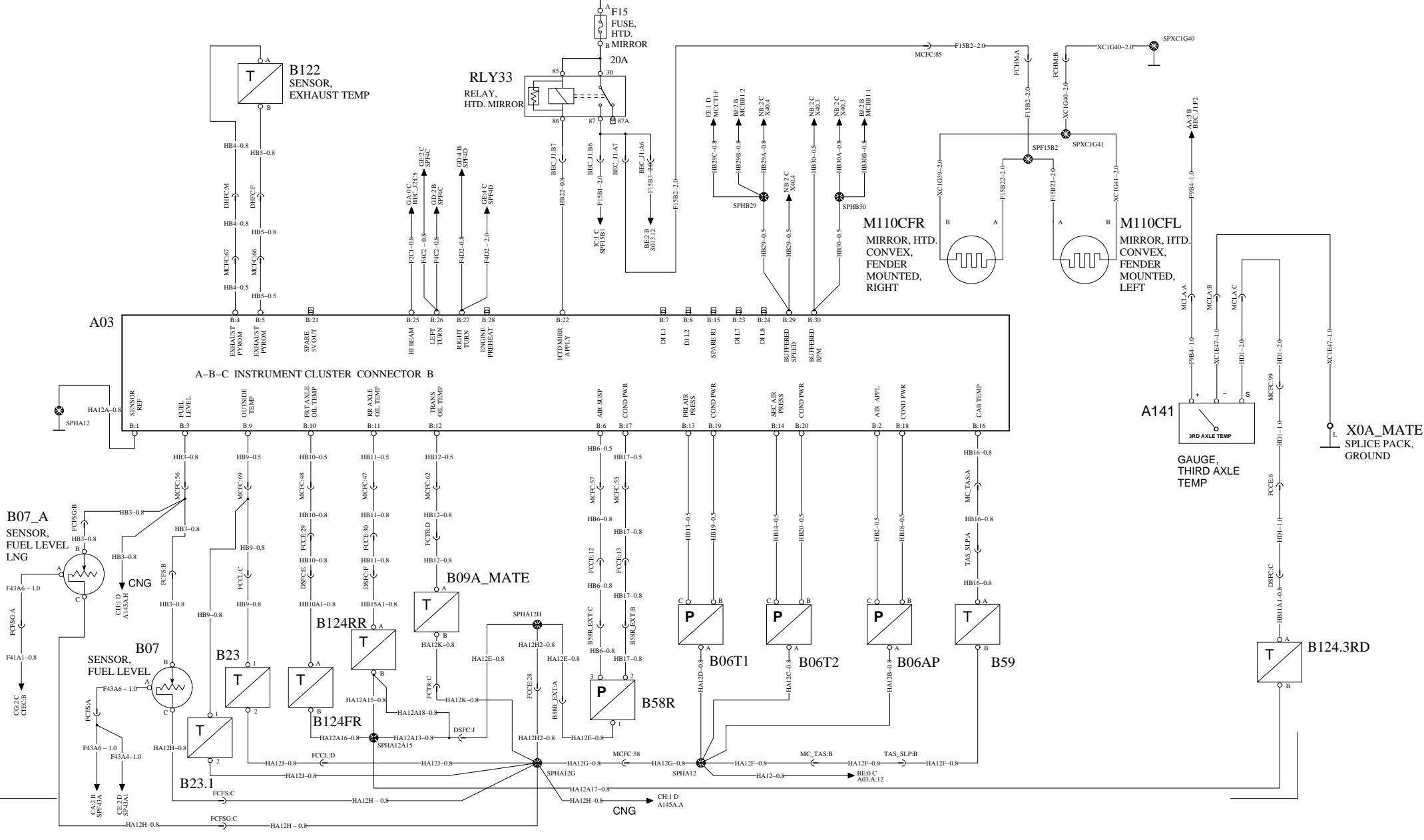
WIRING DIAGRAM: BE



INSTRUMENT CLUSTER 2/3

WIRING DIAGRAM: BF

BATT
IGN
EMS
ILLUM



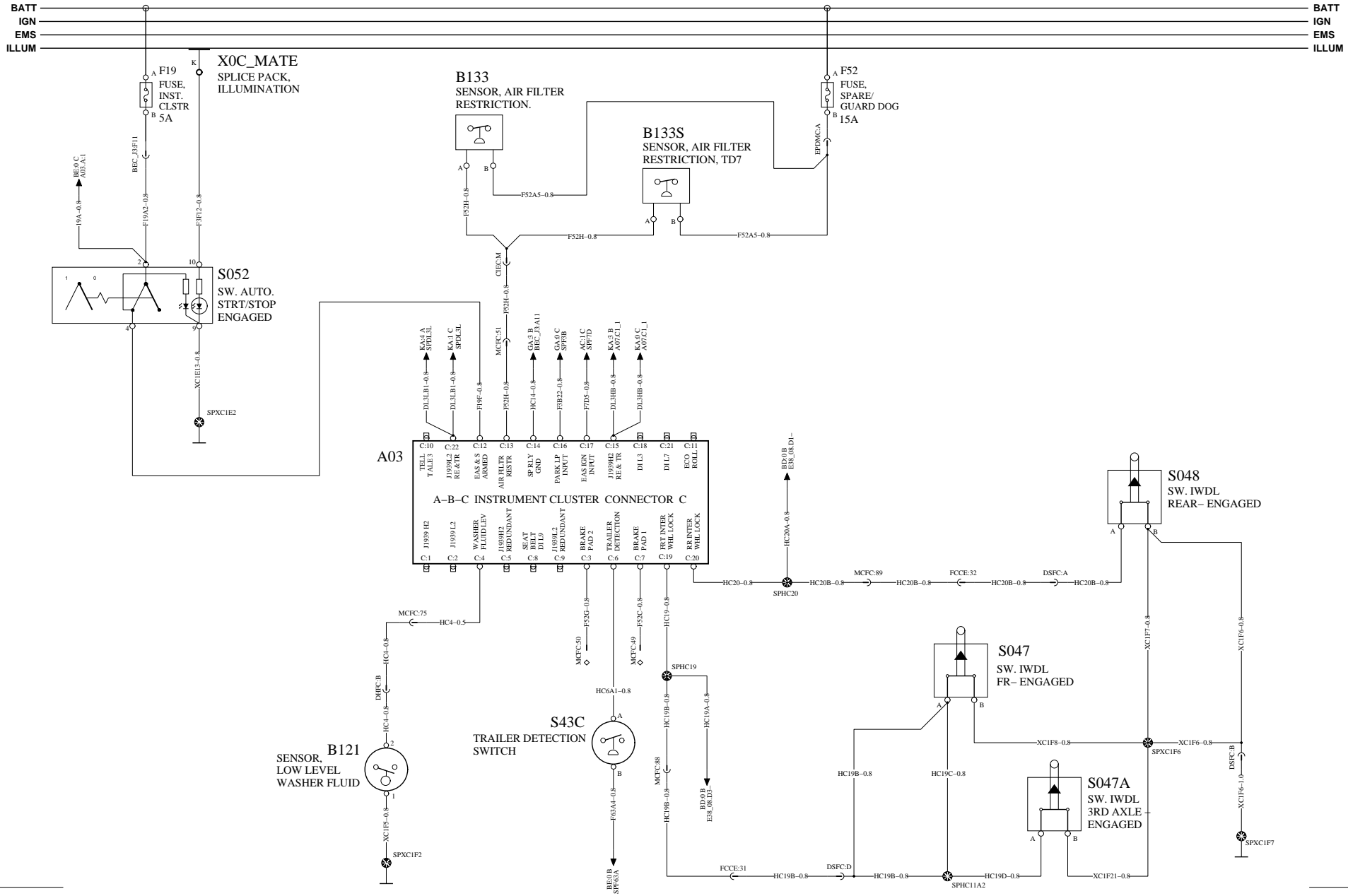
Group Trucks Technology

Document title WIRING DIAGRAM - PC28 - 12V MACK - 2013BP - ENG-CU12
Document type PRODUCT SCHEMATIC

Document No 22234428	Issue 02	Volume 01	Page 15 (83)
--------------------------------	--------------------	---------------------	------------------------

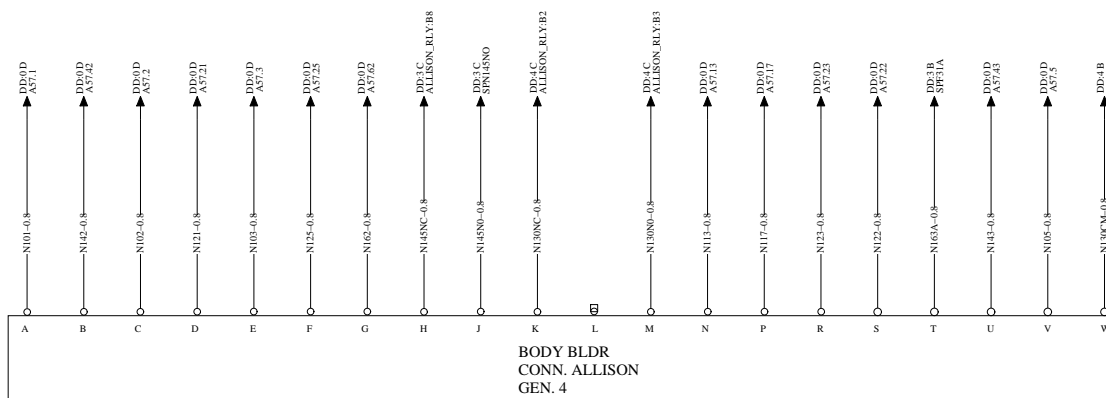
INSTRUMENT CLUSTER 3/3

WIRING DIAGRAM: BG



BATT _____ BATT
 IGN _____ IGN
 EMS _____ EMS
 ILLUM _____ ILLUM

X06D_MATE



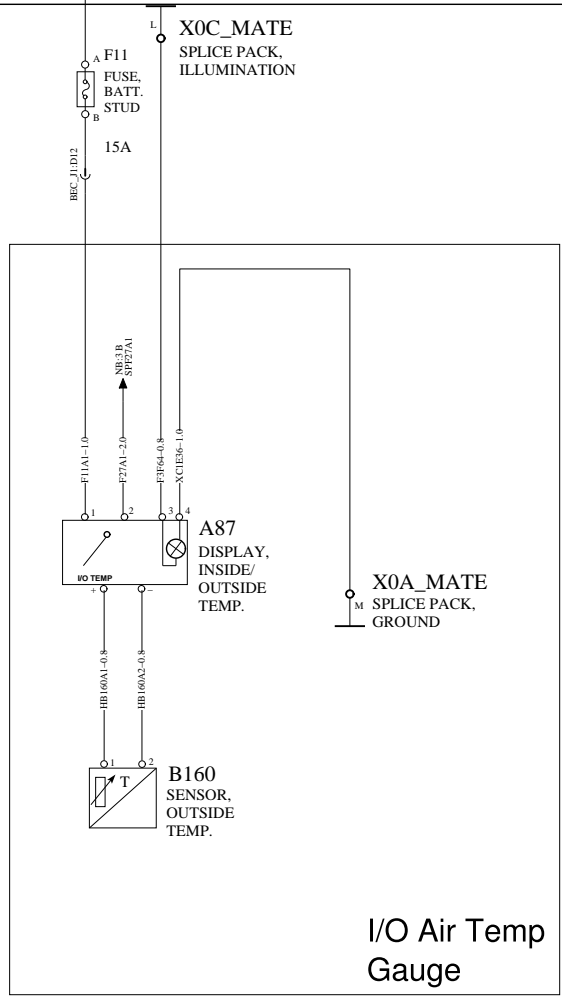
BODY BLDR
 CONN. ALLISON
 GEN. 4

INSIDE-OUTSIDE AIR TEMP. GAUGE

WIRING DIAGRAM: BI

BATT
IGN
EMS
ILLUM

BATT
IGN
EMS
ILLUM



I/O Air Temp Gauge



Group Trucks Technology

Document title
WIRING DIAGRAM - PC28 - 12V MACK - 2013BP - ENG-CU12

Document type
PRODUCT SCHEMATIC

Document No
22234428

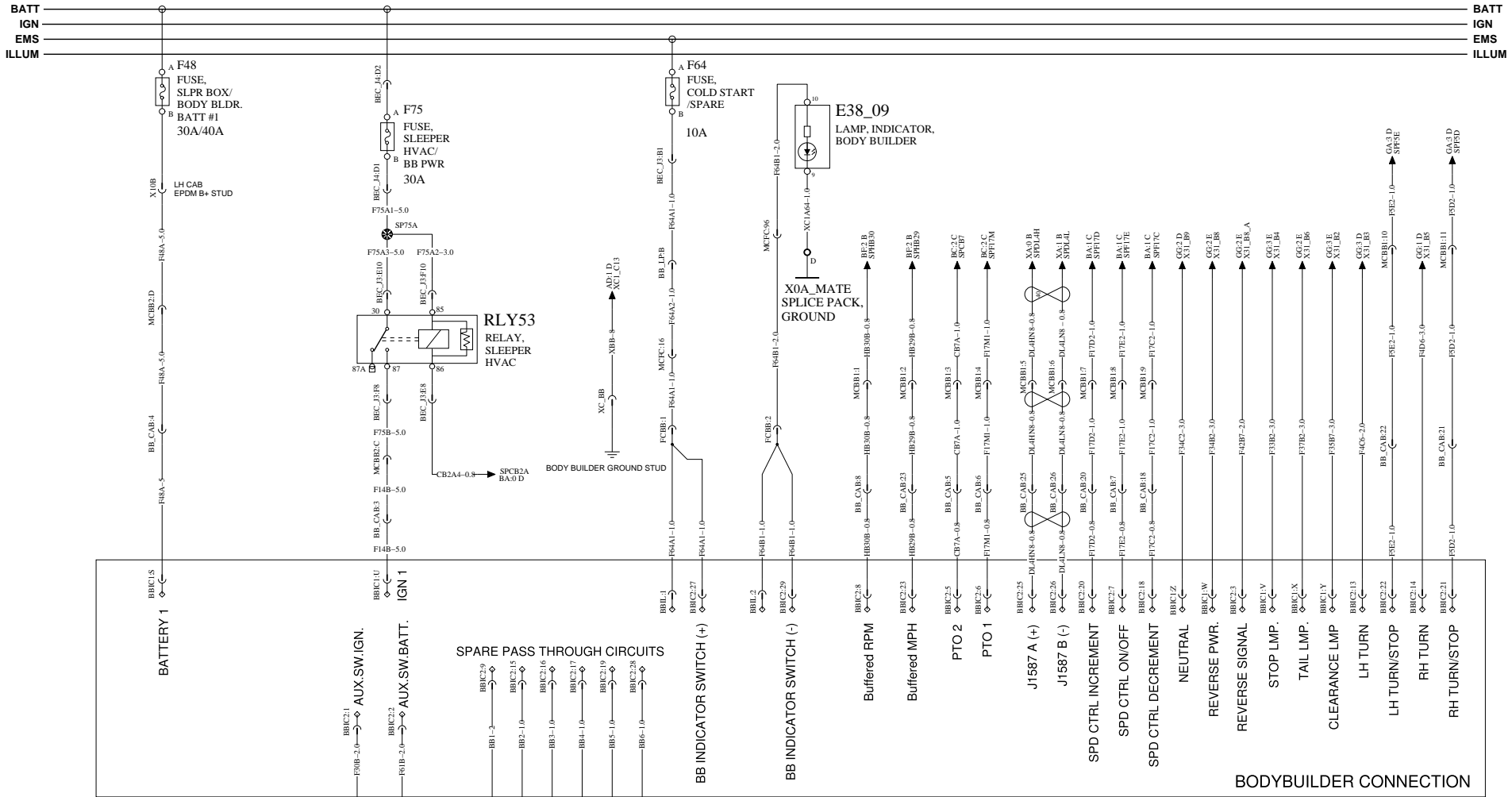
Issue
02

Volume
01

Page
18 (83)

BODY BUILDER CIRCUITS

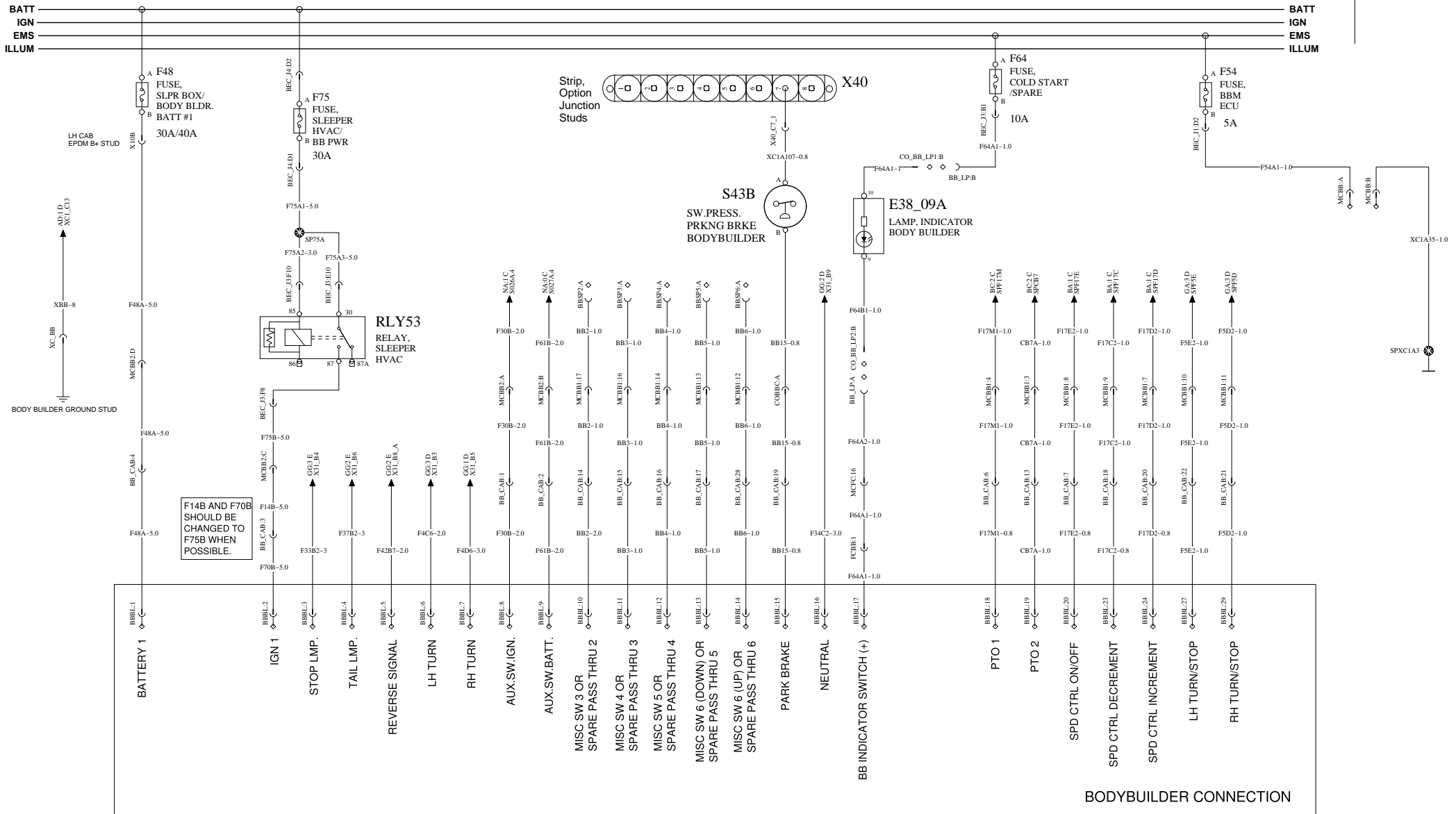
WIRING DIAGRAM: BJ



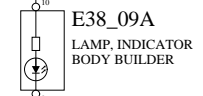
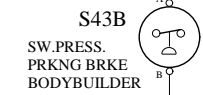
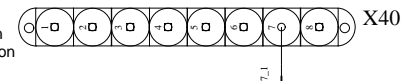
BODYBUILDER CONNECTION

BODY BUILDER CIRCUITS – 2010 BODYLINK

WIRING DIAGRAM: BK



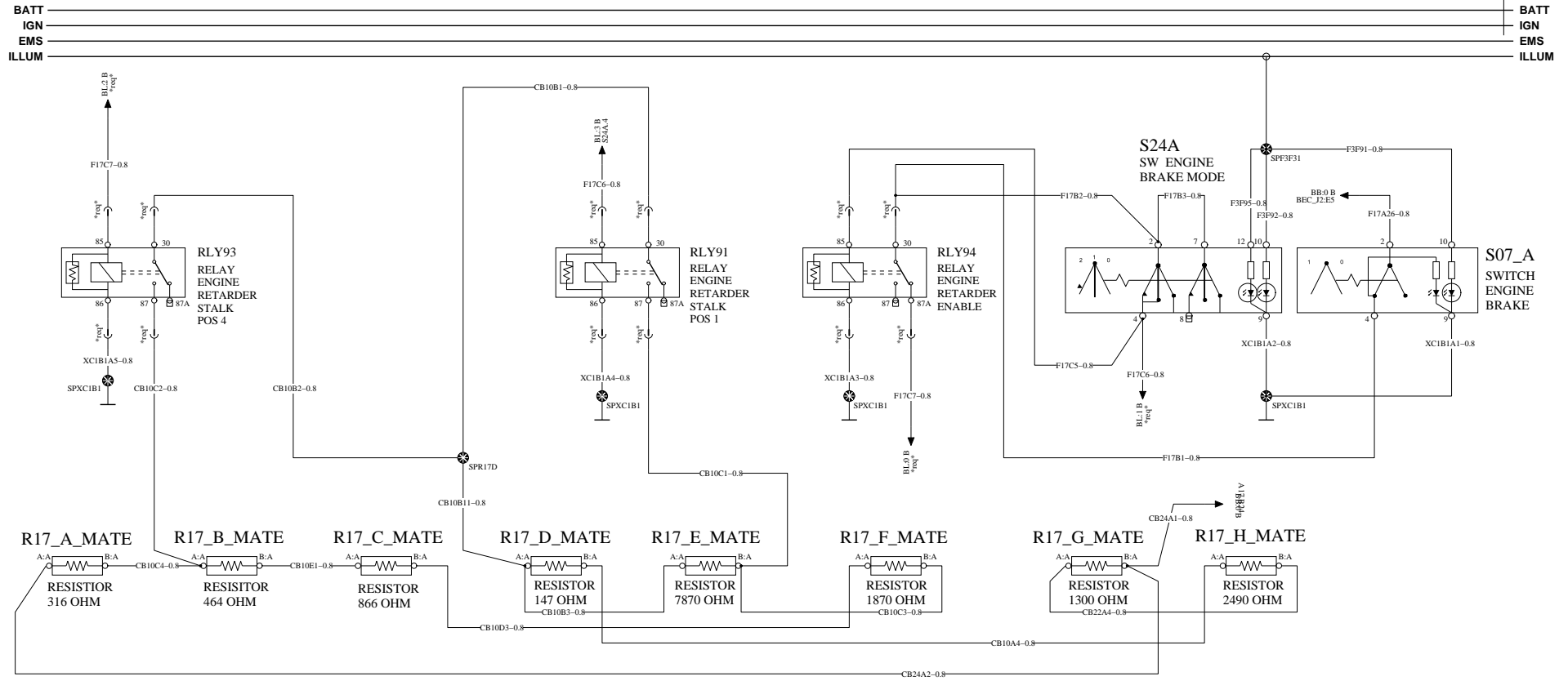
F14B AND F70B SHOULD BE CHANGED TO F75B WHEN POSSIBLE.



BODYBUILDER CONNECTION

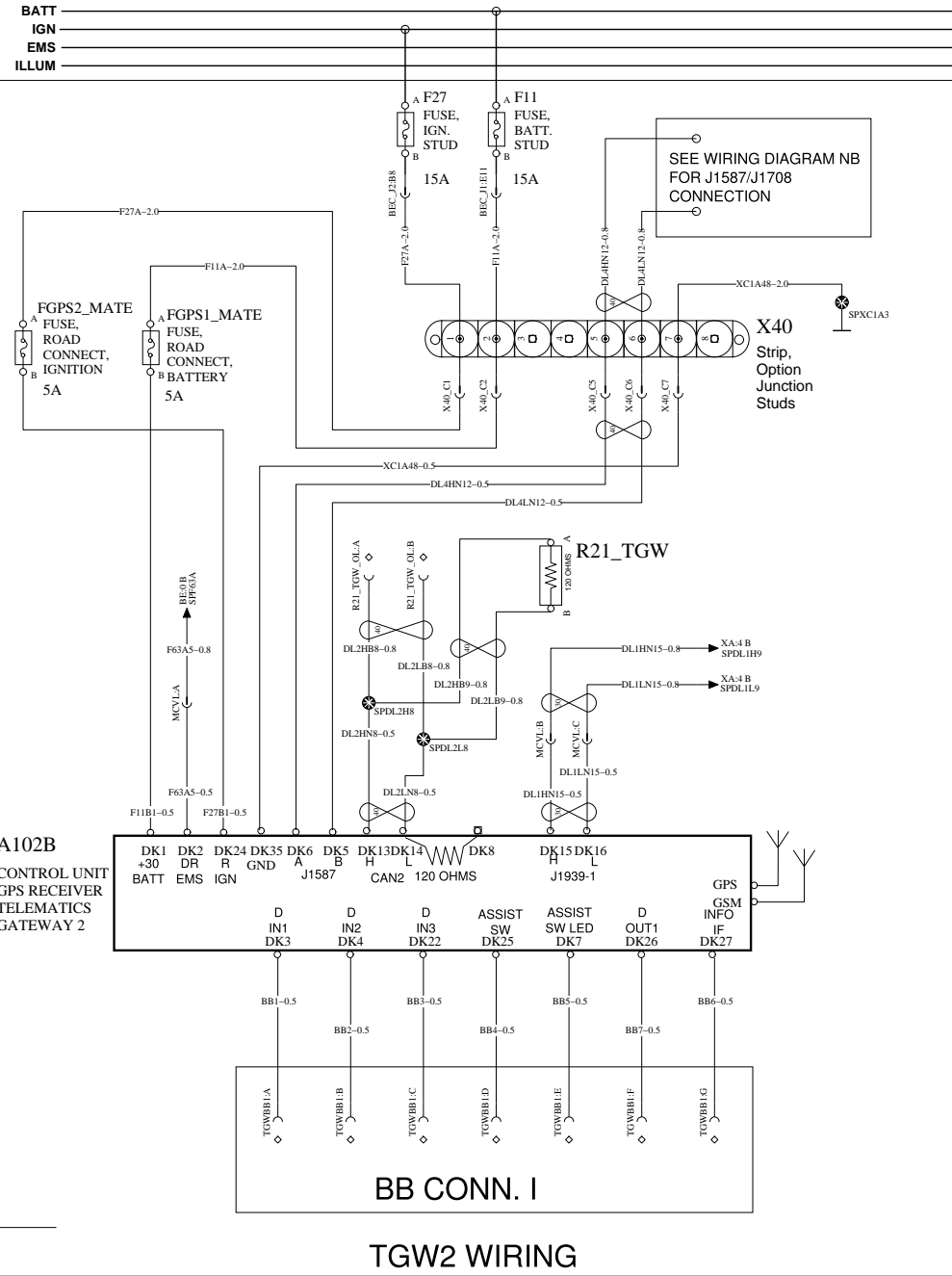
ENGINE BRAKE CONTROL – M-DRIVE

WIRING DIAGRAM: BL

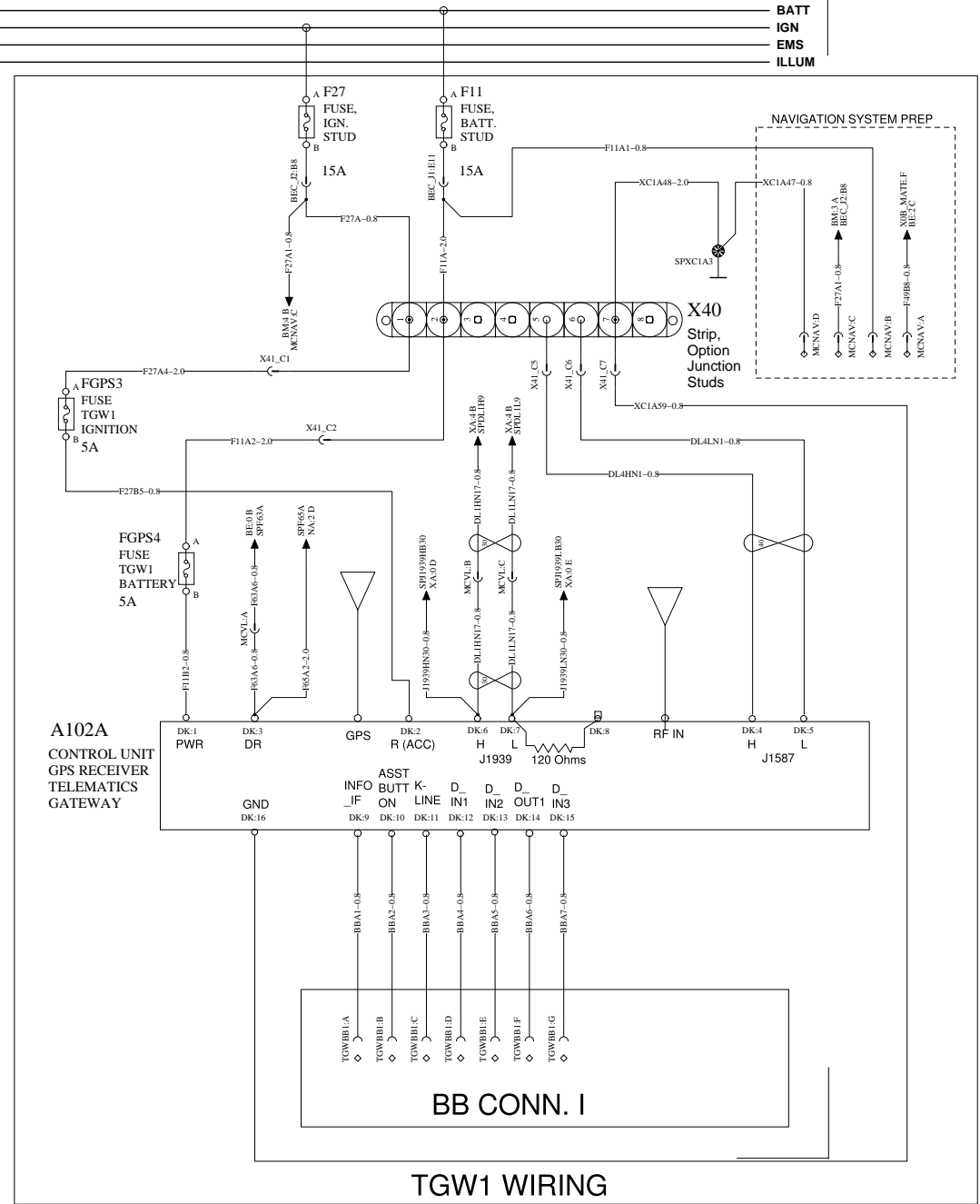


SHEET TO BE DELETED

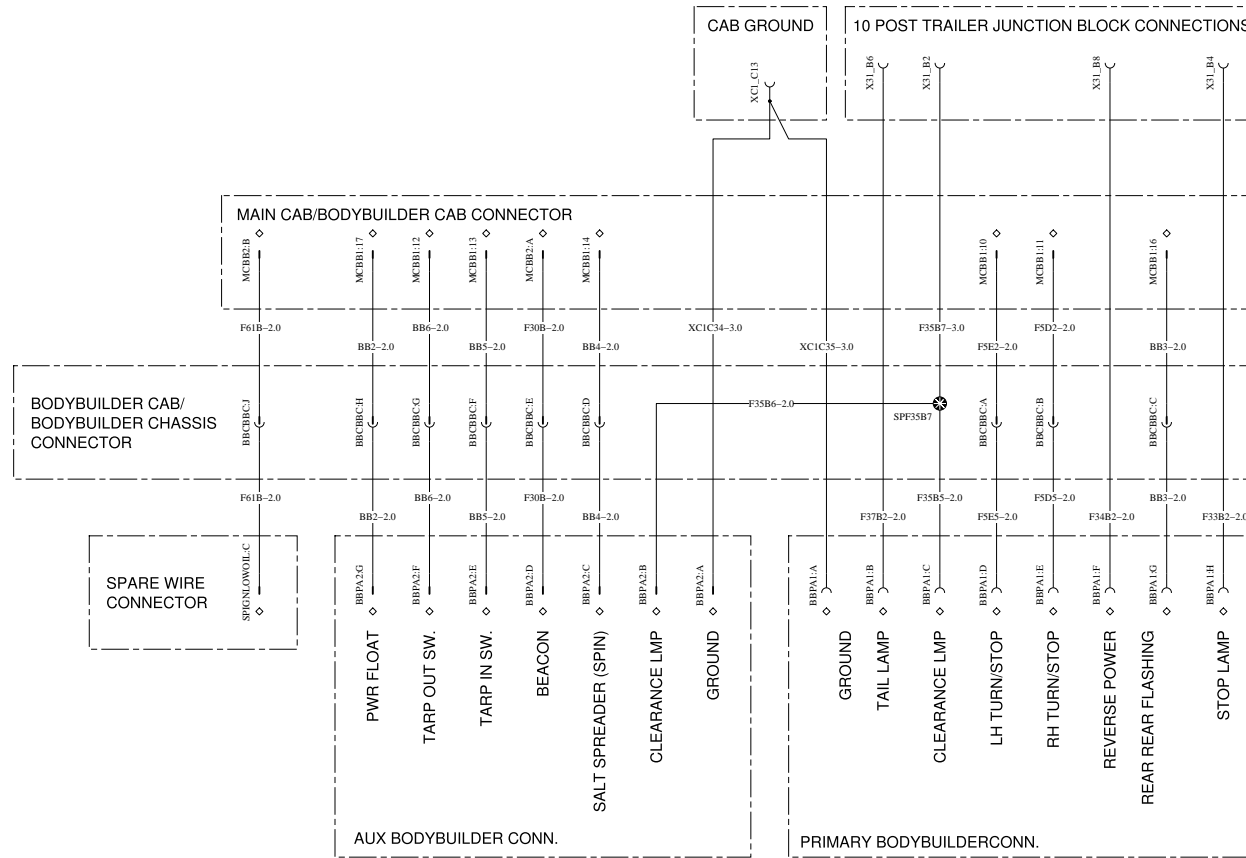
TELEMATICS GATEWAY (TGW)



WIRING DIAGRAM: BM



BATT _____ BATT
 IGN _____ IGN
 EMS _____ EMS
 ILLUM _____ ILLUM

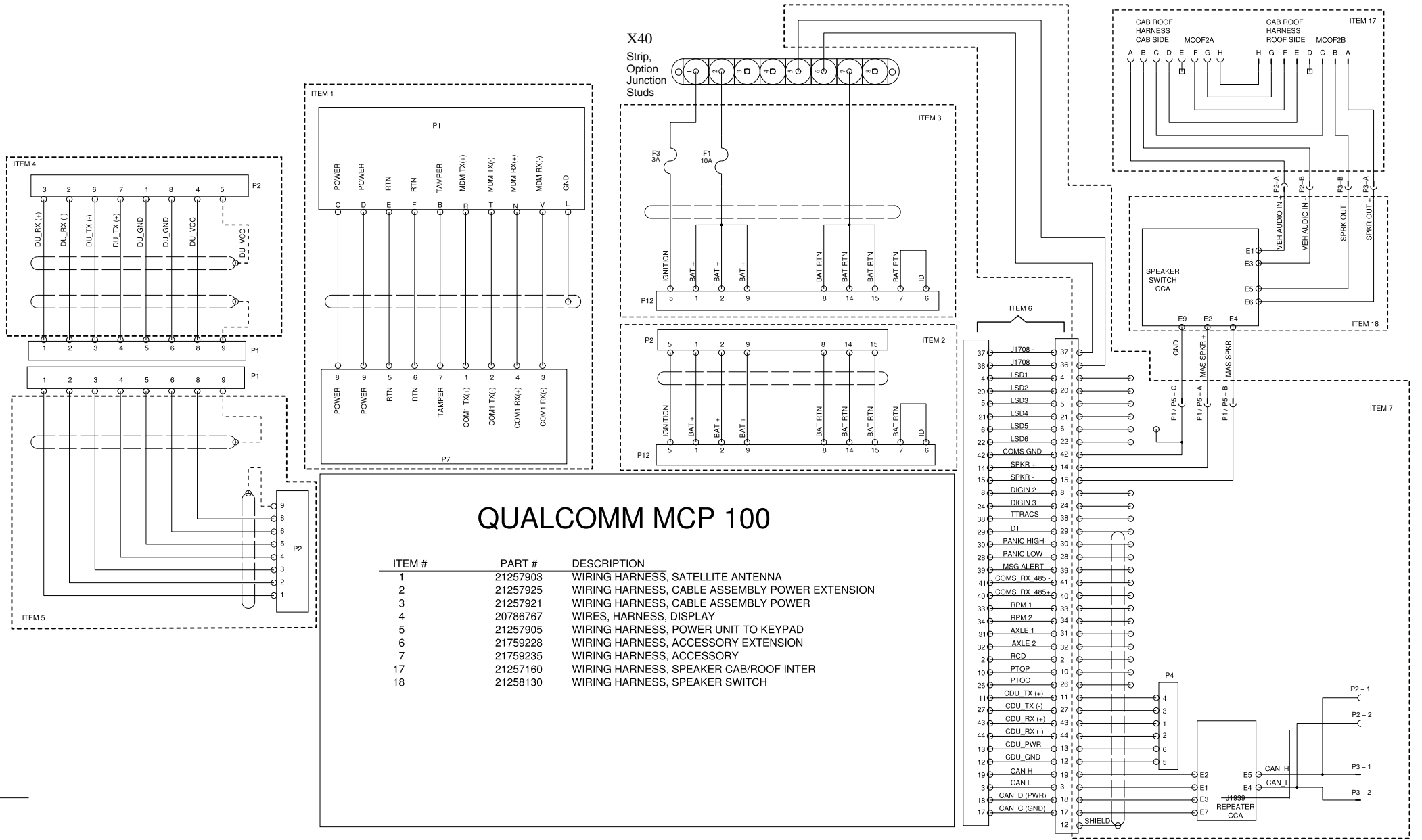


QUALCOMM MCP 100 W/SLEEPER

BATT
IGN
EMS
ILLUM

WIRING DIAGRAM: BU

BATT
IGN
EMS
ILLUM



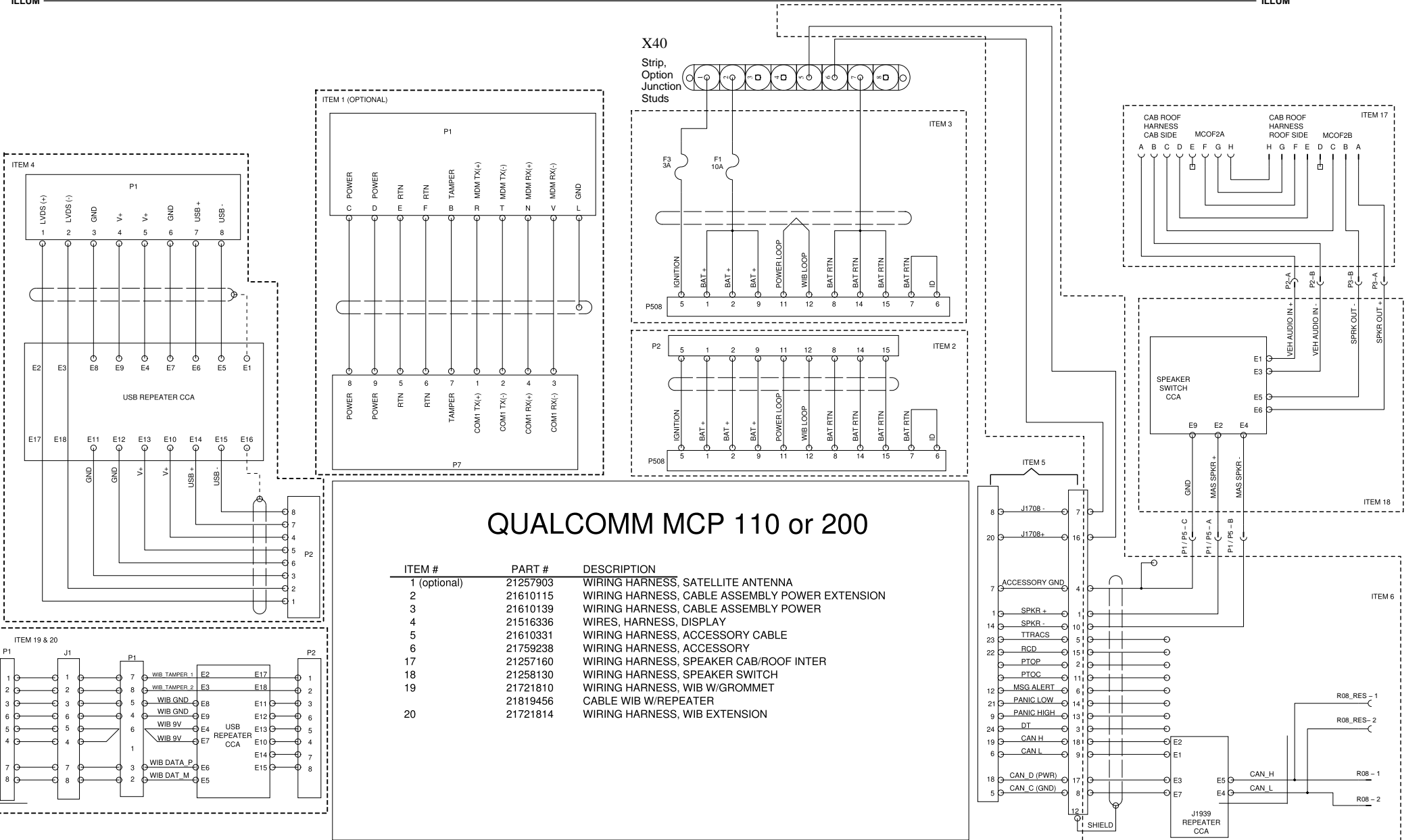
QUALCOMM MCP 100

ITEM #	PART #	DESCRIPTION
1	21257903	WIRING HARNESS, SATELLITE ANTENNA
2	21257925	WIRING HARNESS, CABLE ASSEMBLY POWER EXTENSION
3	21257921	WIRING HARNESS, CABLE ASSEMBLY POWER
4	20786767	WIRES, HARNESS, DISPLAY
5	21257905	WIRING HARNESS, POWER UNIT TO KEYPAD
6	21759228	WIRING HARNESS, ACCESSORY EXTENSION
7	21759235	WIRING HARNESS, ACCESSORY
17	21257160	WIRING HARNESS, SPEAKER CAB/ROOF INTER
18	21258130	WIRING HARNESS, SPEAKER SWITCH

QUALCOMM MCP 110 OR 200 W/SLEEPER

WIRING DIAGRAM: BV

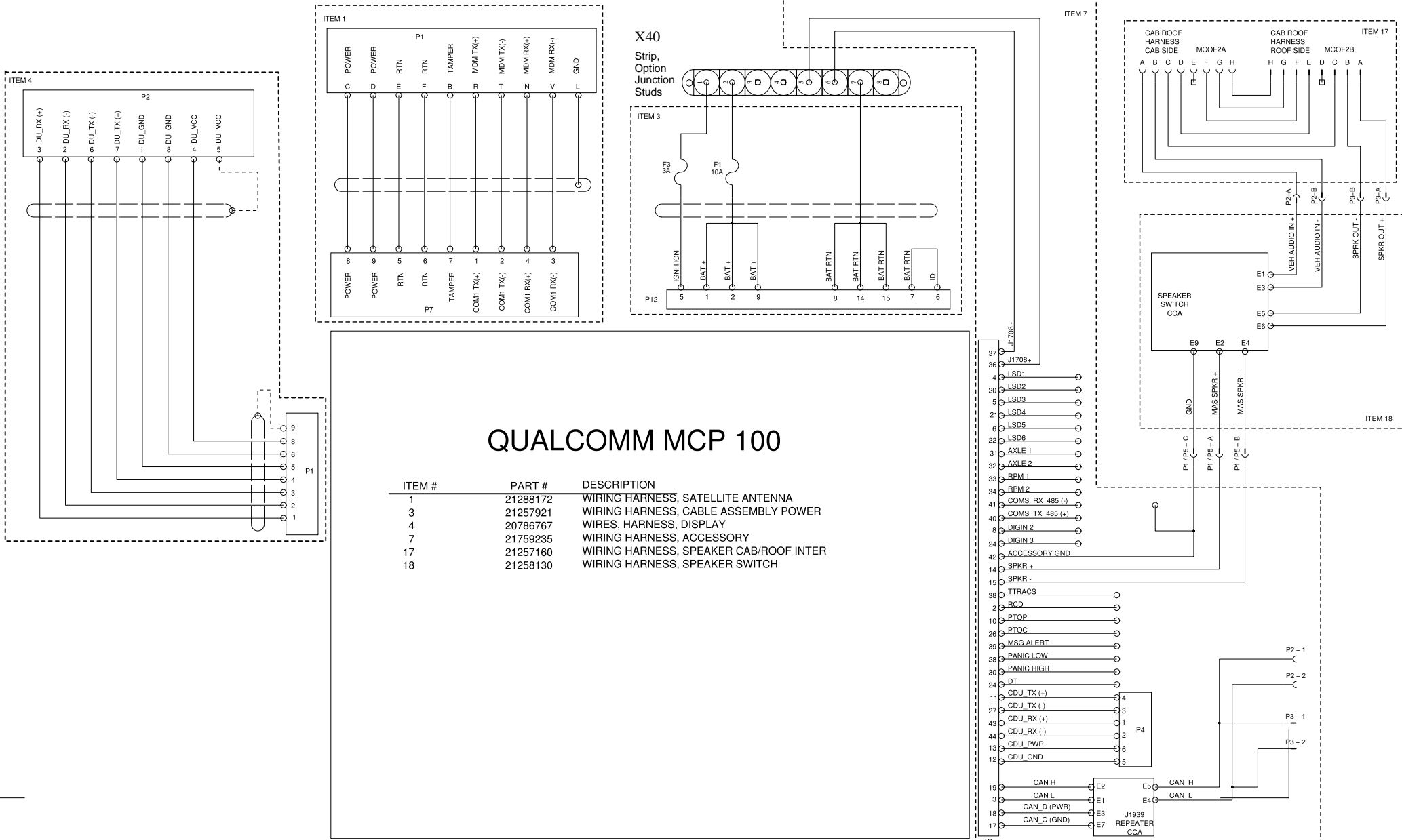
BATT
IGN
EMS
ILLUM



QUALCOMM MCP 100 W/DAYCAB

WIRING DIAGRAM: BW

BATT
IGN
EMS
ILLUM

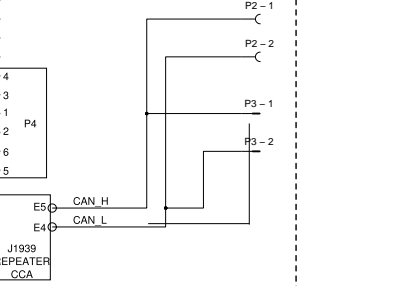
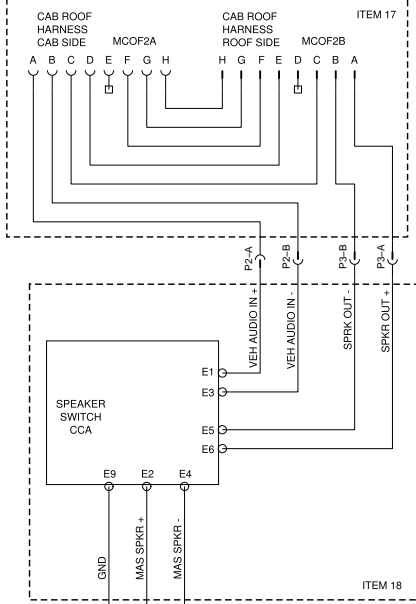


QUALCOMM MCP 100

ITEM #	PART #	DESCRIPTION
1	21288172	WIRING HARNESS, SATELLITE ANTENNA
3	21257921	WIRING HARNESS, CABLE ASSEMBLY POWER
4	20786767	WIRES, HARNESS, DISPLAY
7	21759235	WIRING HARNESS, ACCESSORY
17	21257160	WIRING HARNESS, SPEAKER CAB/ROOF INTER
18	21258130	WIRING HARNESS, SPEAKER SWITCH

ITEM #	PART #	DESCRIPTION
1	21288172	WIRING HARNESS, SATELLITE ANTENNA
3	21257921	WIRING HARNESS, CABLE ASSEMBLY POWER
4	20786767	WIRES, HARNESS, DISPLAY
7	21759235	WIRING HARNESS, ACCESSORY
17	21257160	WIRING HARNESS, SPEAKER CAB/ROOF INTER
18	21258130	WIRING HARNESS, SPEAKER SWITCH

- 37 J1708+
- 36 LSD1
- 4 LSD2
- 20 LSD3
- 5 LSD4
- 21 LSD5
- 6 LSD6
- 22 AXLE 1
- 31 AXLE 2
- 32 RPM 1
- 33 RPM 2
- 34 COMS_RX_485 (-)
- 41 COMS_TX_485 (+)
- 40 DIGIN 2
- 8 DIGIN 3
- 24 ACCESSORY GND
- 42 SPKR +
- 14 SPKR -
- 15 TTRACS
- 38 RCD
- 2 PTOP
- 10 PTOC
- 26 MSG ALERT
- 39 PANIC LOW
- 28 PANIC HIGH
- 30 DT
- 24 CDU_TX (+)
- 11 CDU_TX (-)
- 27 CDU_RX (+)
- 43 CDU_RX (-)
- 44 CDU_PWR
- 13 CDU_GND
- 12 CAN H
- 19 CAN L
- 3 CAN_D (PWR)
- 18 CAN_C (GND)



Group Trucks Technology

Document title
WIRING DIAGRAM - PC28 - 12V MACK - 2013BP - ENG-CU12

Document type
PRODUCT SCHEMATIC

Document No
22234428

Issue
02

Volume
01

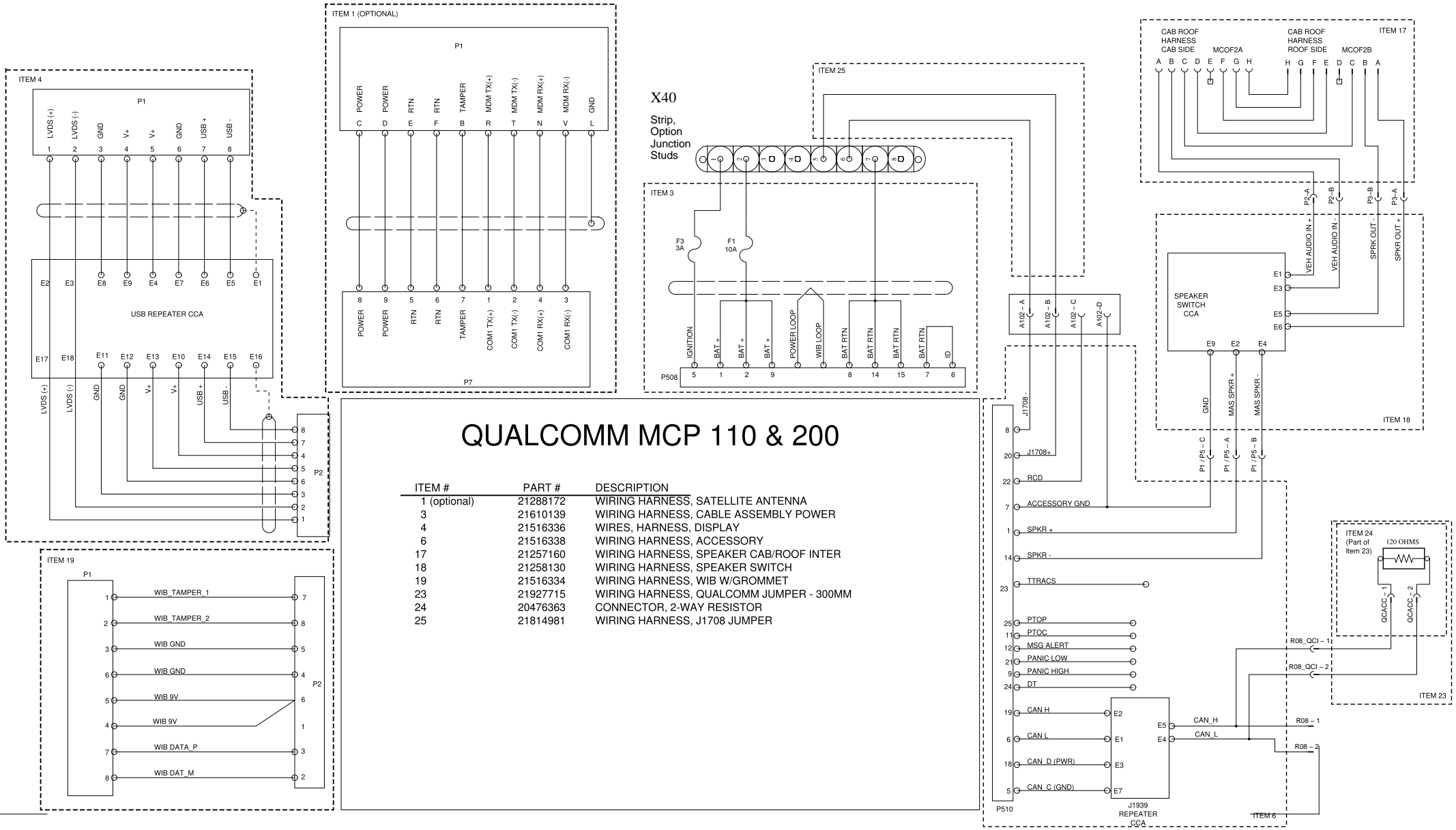
Page
26 (83)

QUALCOMM MCP 110 & 200 W/DAYCAB

WIRING DIAGRAM: BX

BATT
IGN
EMS
ILLUM

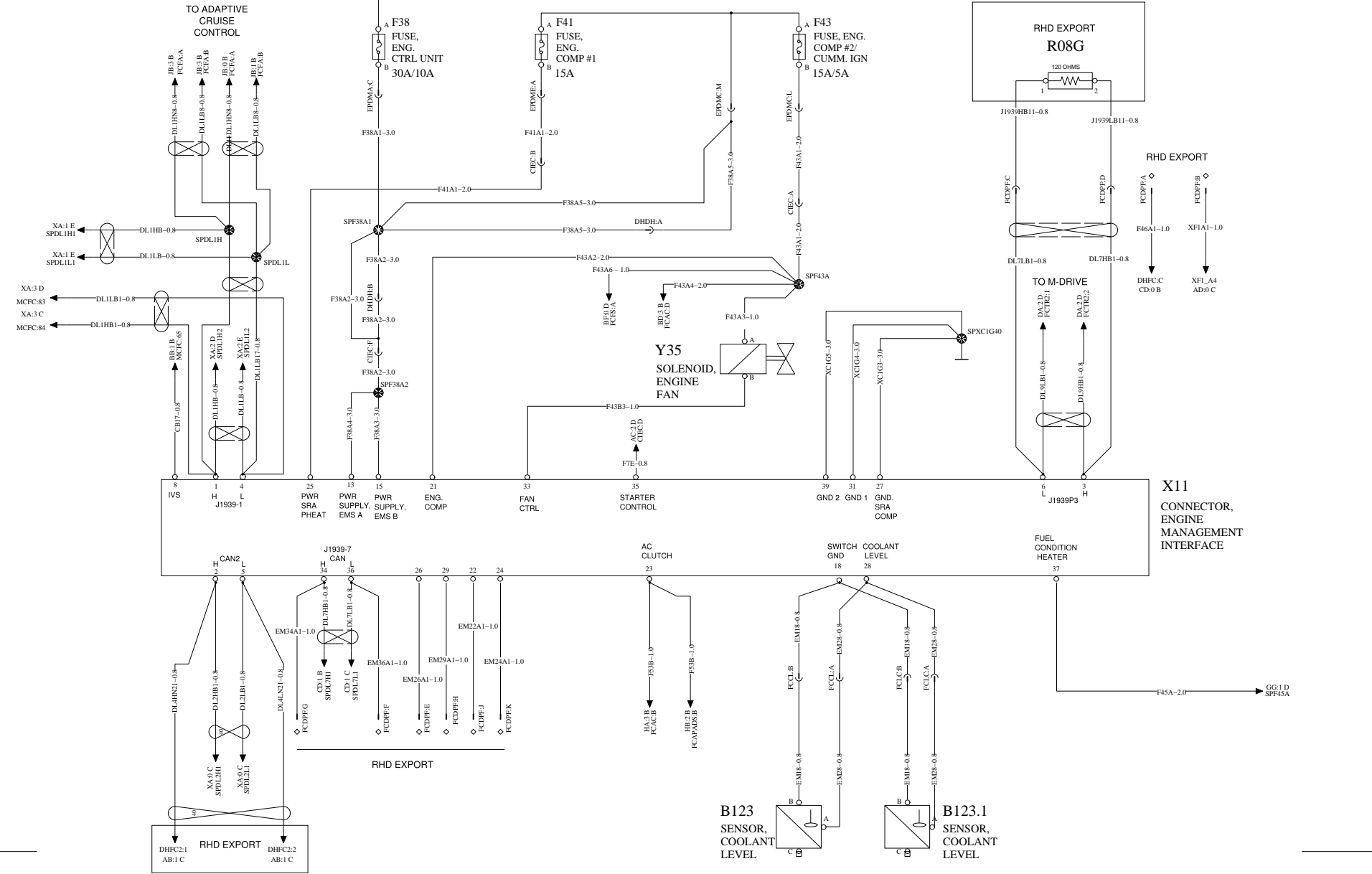
BATT
IGN
EMS
ILLUM



ENGINE INTERFACE MP11

WIRING DIAGRAM: CA

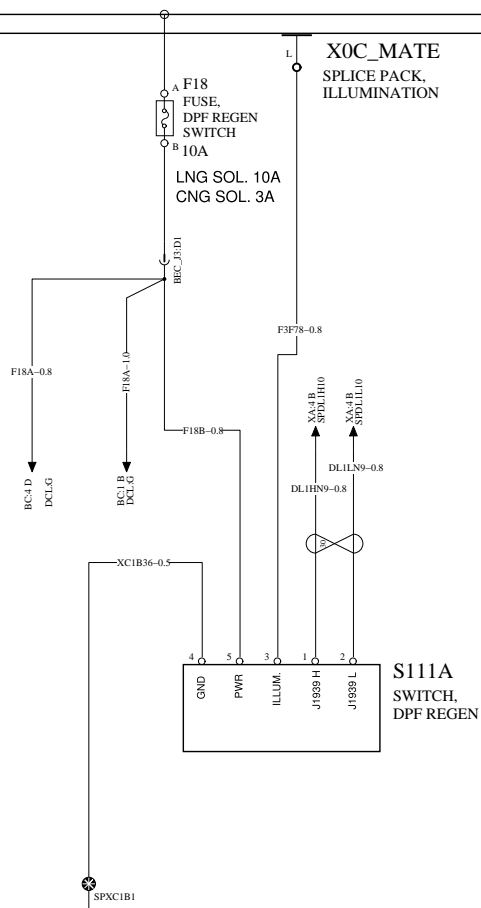
BATT
IGN
EMS
ILLUM



DPF REGENERATION SYSTEM

WIRING DIAGRAM: CB

BATT
IGN
EMS
ILLUM



Group Trucks Technology

Document title
WIRING DIAGRAM - PC28 - 12V MACK - 2013BP - ENG-CU12
Document type
PRODUCT SCHEMATIC

Document No

22234428

Issue

02

Volume

01

Page

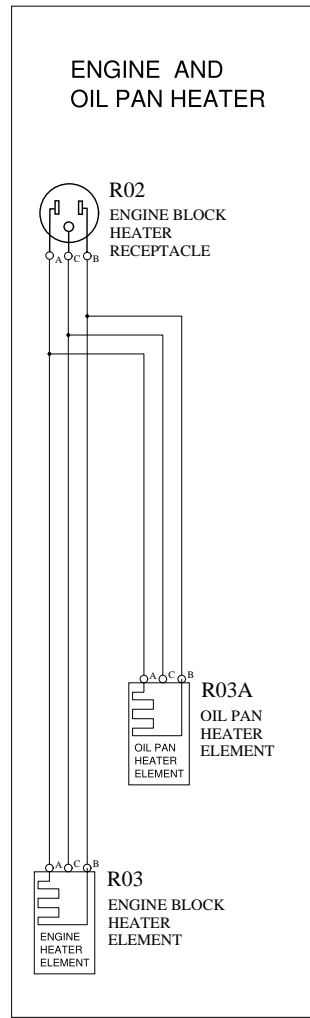
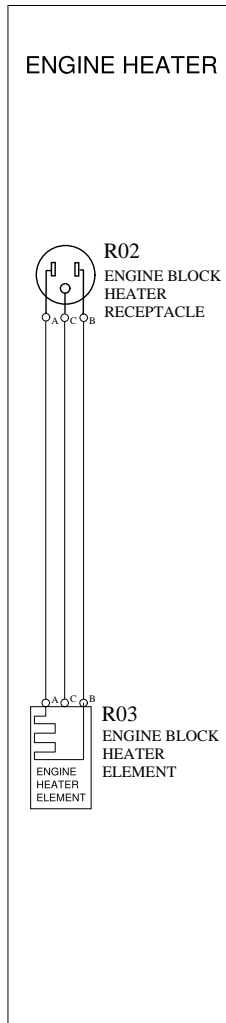
29 (83)

ENGINE HEATER

WIRING DIAGRAM: CC

BATT
IGN
EMS
ILLUM

BATT
IGN
EMS
ILLUM

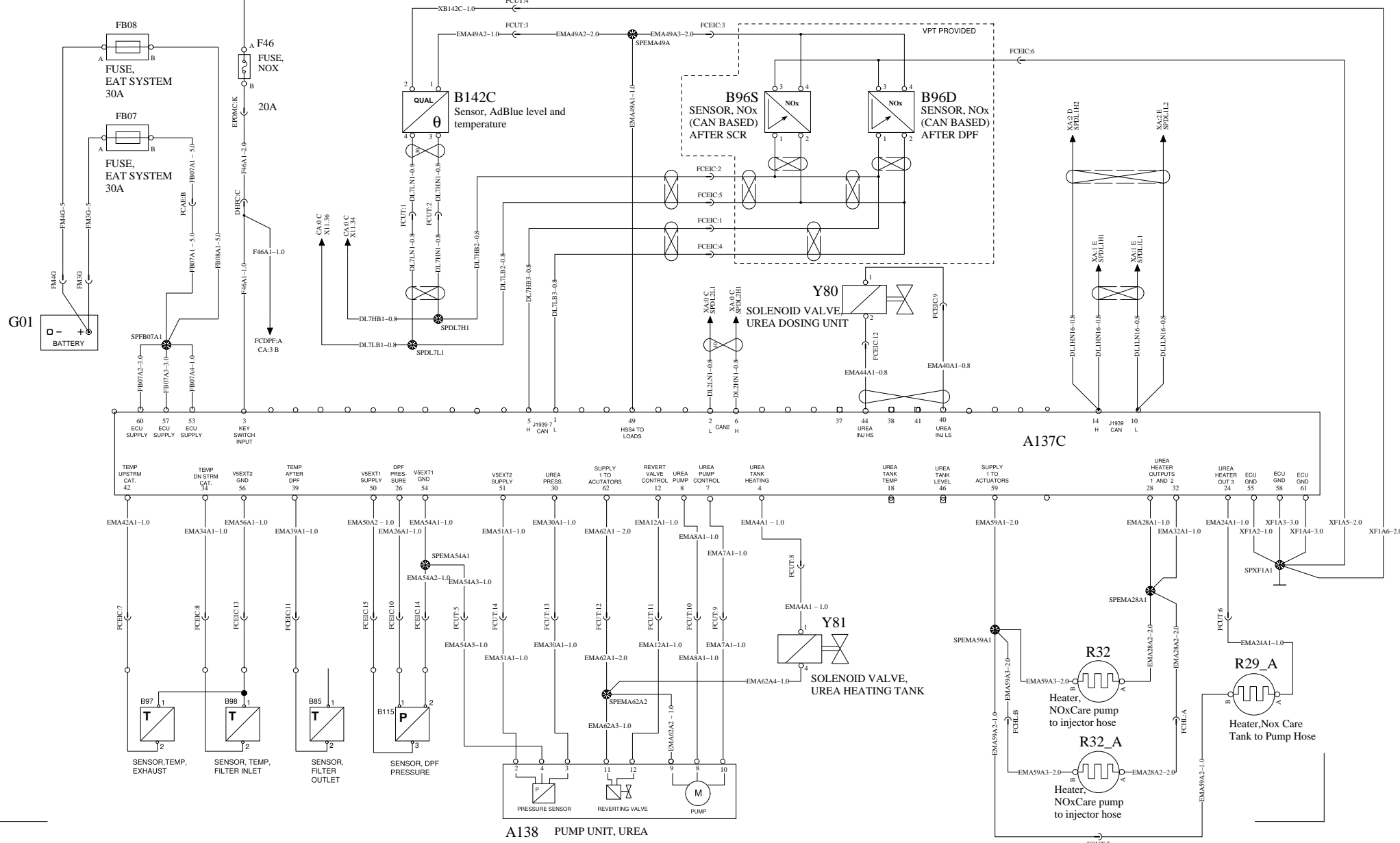


UREA DOSING SYSTEM

WIRING DIAGRAM: CD

BATT
IGN
EMS
ILLUM

BATT
IGN
EMS
ILLUM



A138 PUMP UNIT, UREA

A137C



Group Trucks Technology

Document title
WIRING DIAGRAM - PC28 - 12V MACK - 2013BP - ENG-CU12

Document type
PRODUCT SCHEMATIC

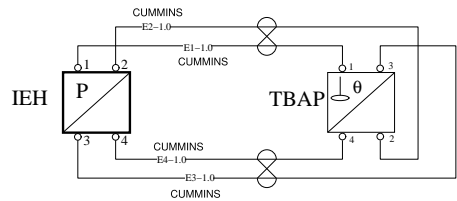
Document No	Issue	Volume	Page
22234428	02	01	31 (83)

ENGINE CONTROL ISL US13 1/2

WIRING DIAGRAM: CE

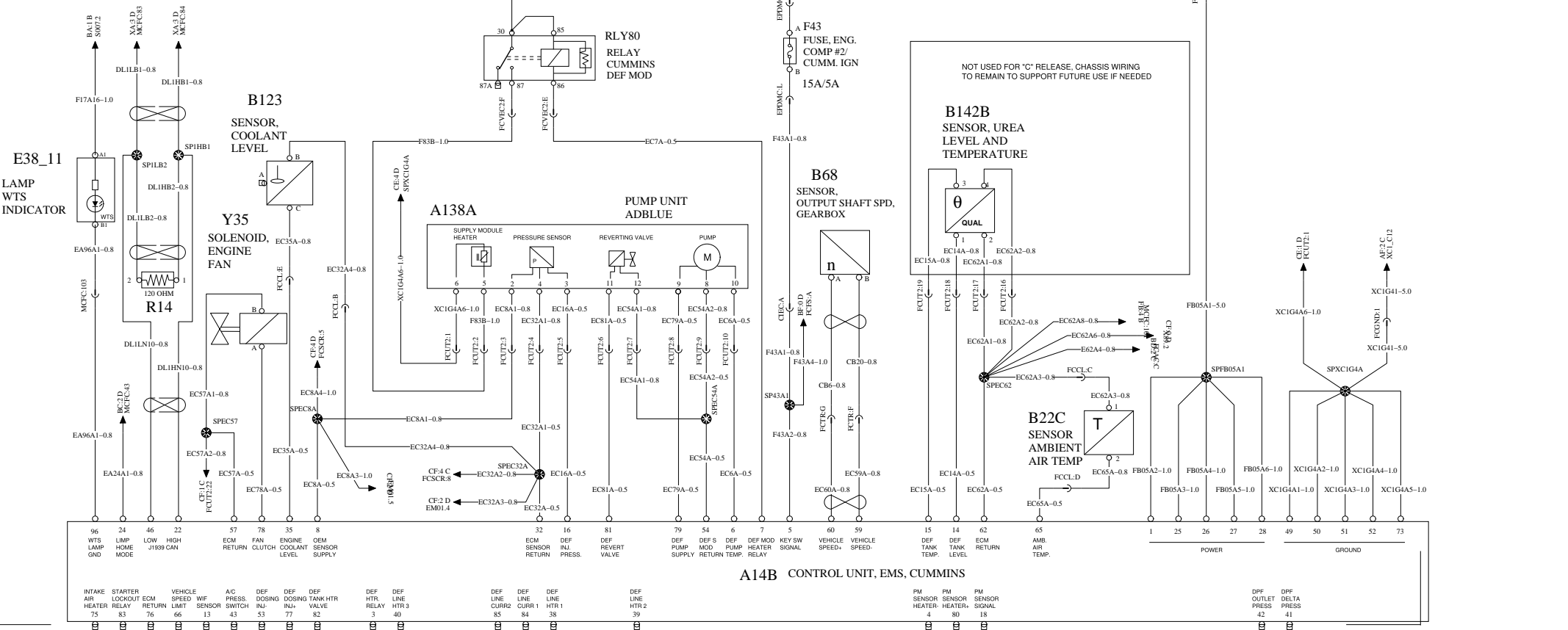
BATT
IGN
EMS
ILLUM

BATT
IGN
EMS
ILLUM



PRESSURE SENSOR WIRES ARE QUADRUPLE TWIST

NOTE: REFERENCE FUSE "F85" SHEET "CF" FOR CIRCUIT INFORMATION.



A14B CONTROL UNIT, EMS, CUMMINS

96	24	46	22	57	78	35	8	32	16	81	79	54	6	7	5	60	59	15	14	62	65	1	25	26	27	28	49	50	51	52	73		
WTS LAMP	LAMP HOME	LOW HIGH	VEHICLE SPEED	WIF SENSOR	A/C SWITCH	DEF PRESS. INJ.	DEF DOSING VALVE	DEF TANK HTR	DEF LINE RELAY	DEF LINE HTR1	DEF LINE HTR2	DEF CURR1	DEF CURR2	DEF CURR1	DEF HTR1	DEF HTR2	VEHICLE SPEED	VEHICLE SPEED	DEF TANK	DEF TANK	ECM RETURN	AMB AIR TEMP.	POWER	POWER	POWER	POWER	POWER	POWER	POWER	POWER	POWER	GROUND	GROUND
75	83	76	66	13	43	53	77	82	3	40	3	85	84	38	39	39	4	80	18	42	41												



Group Trucks Technology

Document title
WIRING DIAGRAM - PC28 - 12V MACK - 2013BP - ENG-CU12

Document type
PRODUCT SCHEMATIC

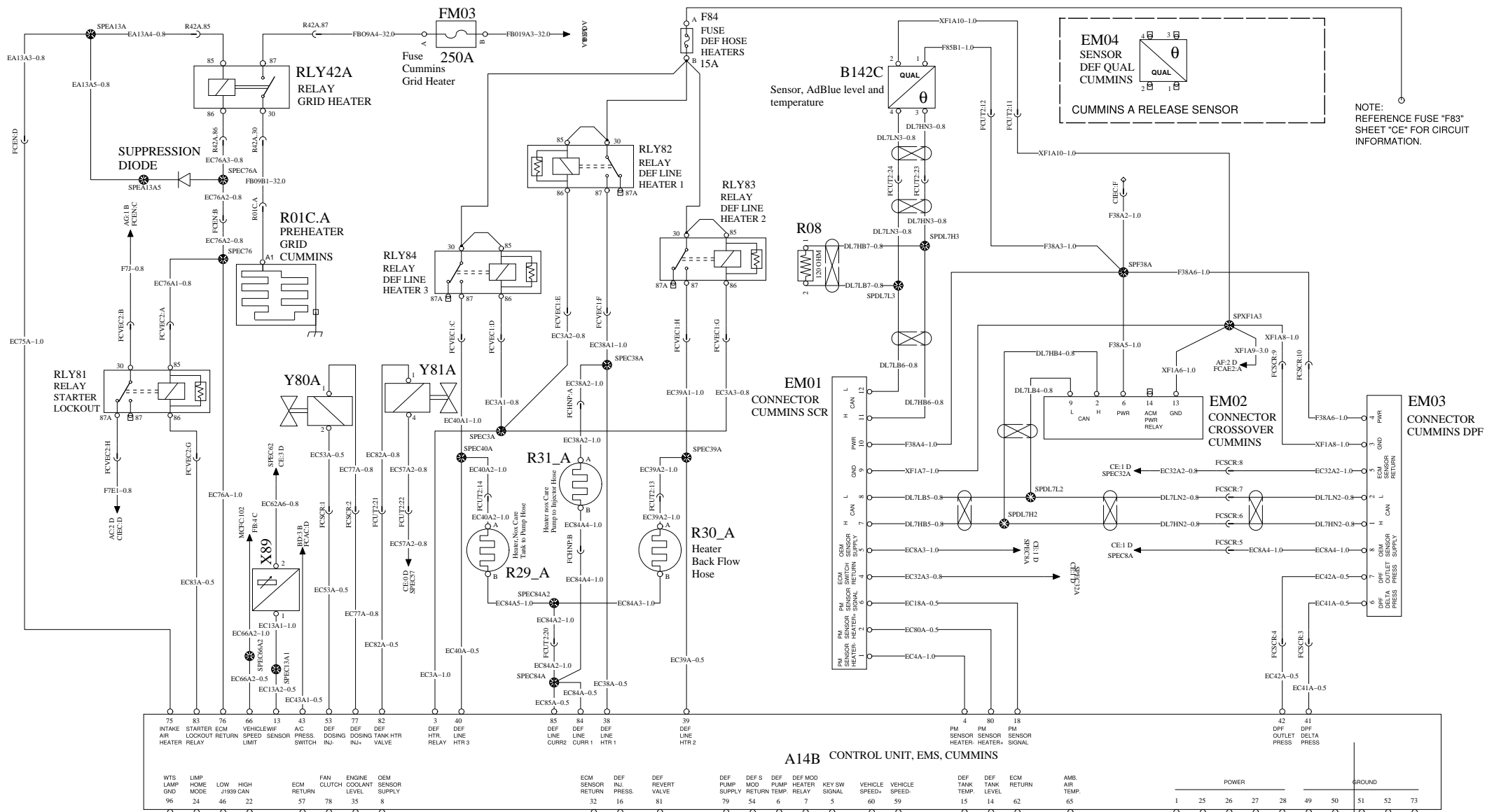
Document No	Issue	Volume	Page
22234428	02	01	32 (83)

ENGINE CONTROL ISL US13 2/2

WIRING DIAGRAM: CF

BATT
IGN
EMS
ILLUM

BATT
IGN
EMS
ILLUM



NOTE: REFERENCE FUSE "F83" SHEET "CE" FOR CIRCUIT INFORMATION.



Group Trucks Technology

Document title
WIRING DIAGRAM - PC28 - 12V MACK - 2013BP - ENG-CU12

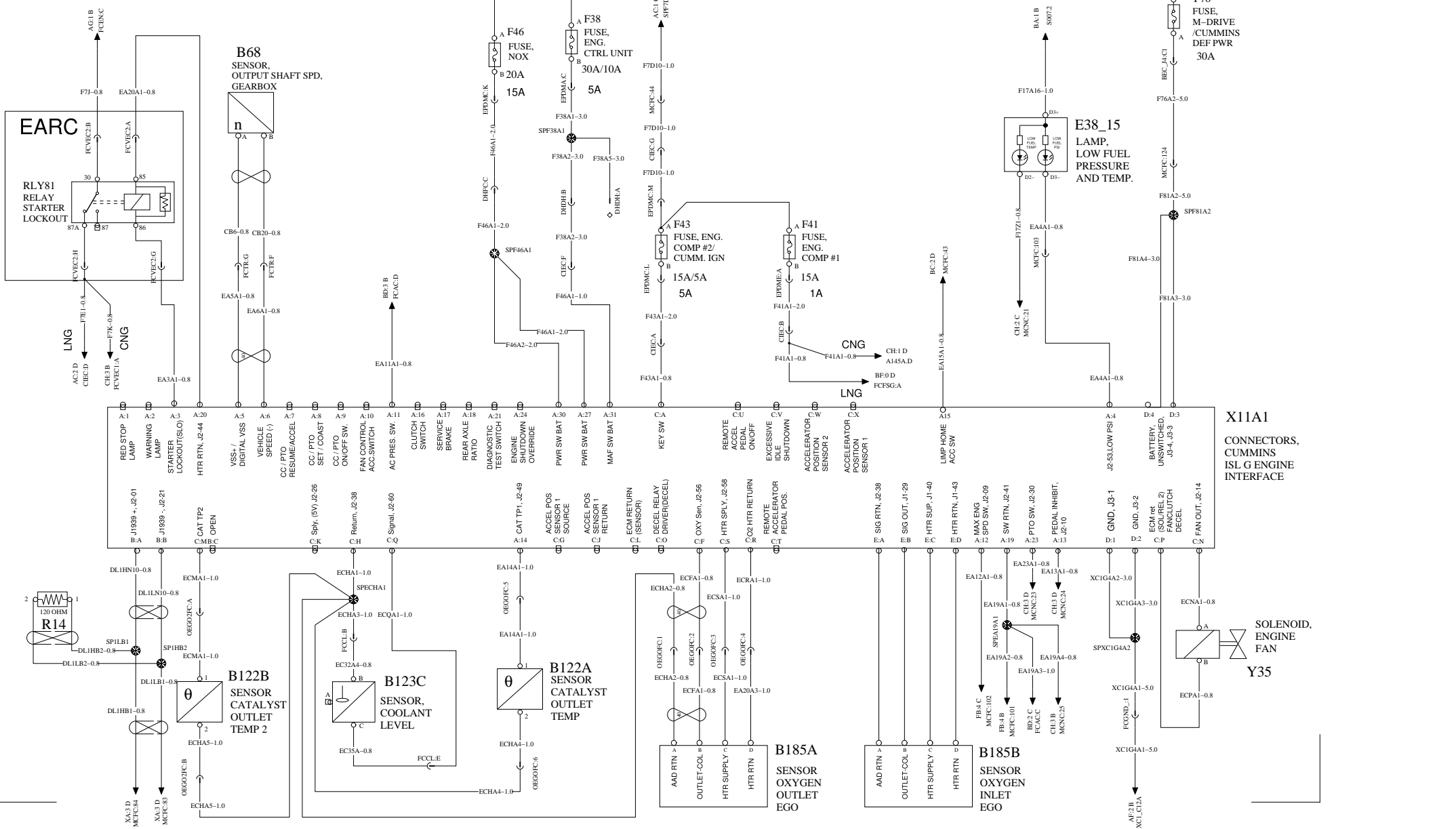
Document type
PRODUCT SCHEMATIC

Document No	Issue	Volume	Page
22234428	02	01	33 (83)

ENGINE CONTROL ISX12G 1/2

WIRING DIAGRAM: CG

BATT
IGN
EMS
ILLUM



Group Trucks Technology

Document title
WIRING DIAGRAM - PC28 - 12V MACK - 2013BP - ENG-CU12

Document type
PRODUCT SCHEMATIC

Document No

22234428

Issue

02

Volume

01

Page

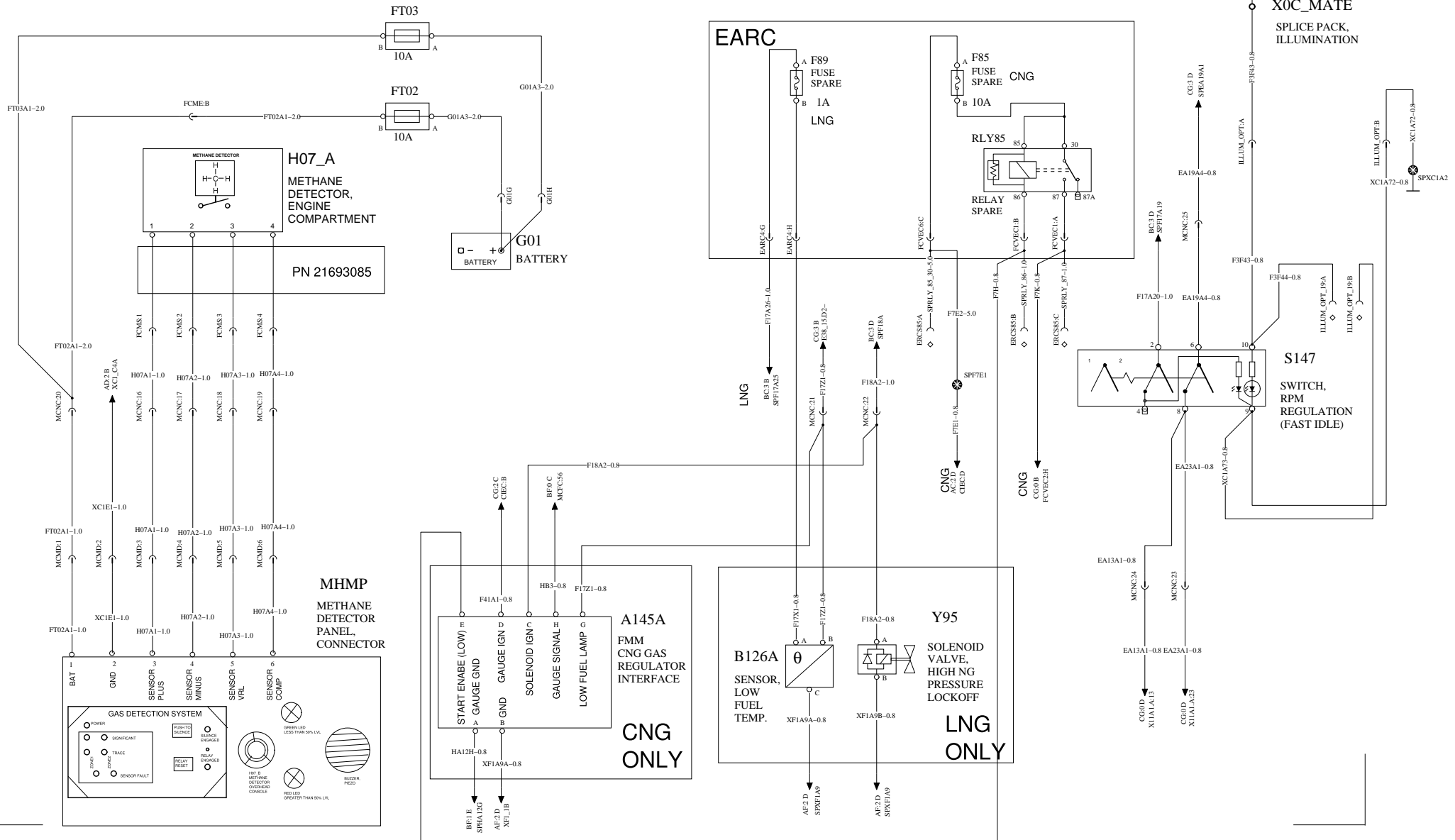
34 (89)

ENGINE CONTROL ISX12G 2/2

WIRING DIAGRAM: CH

BATT
IGN
EMS
ILLUM

BATT
IGN
EMS
ILLUM

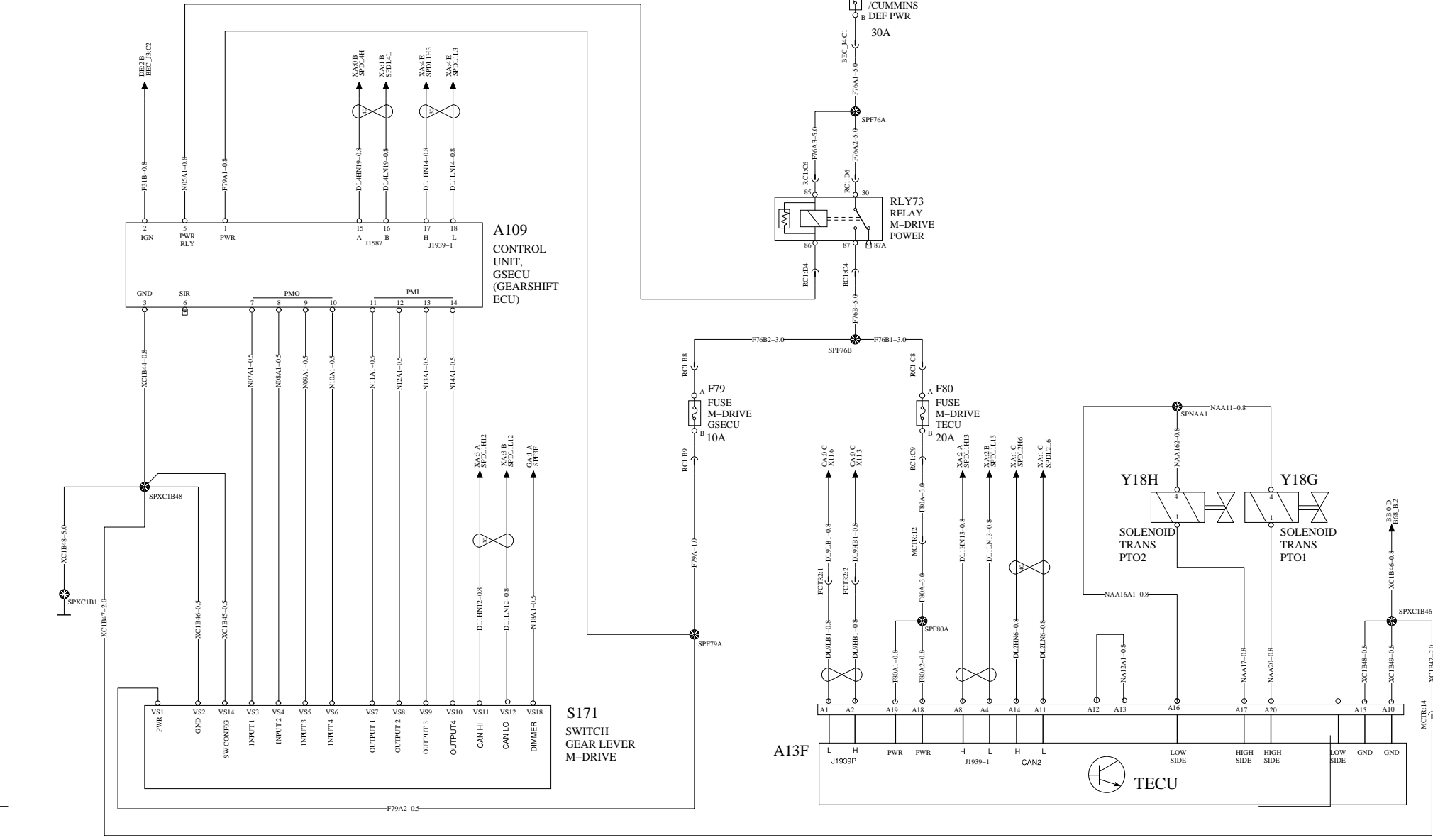


TRANSMISSION M-DRIVE

WIRING DIAGRAM: DA

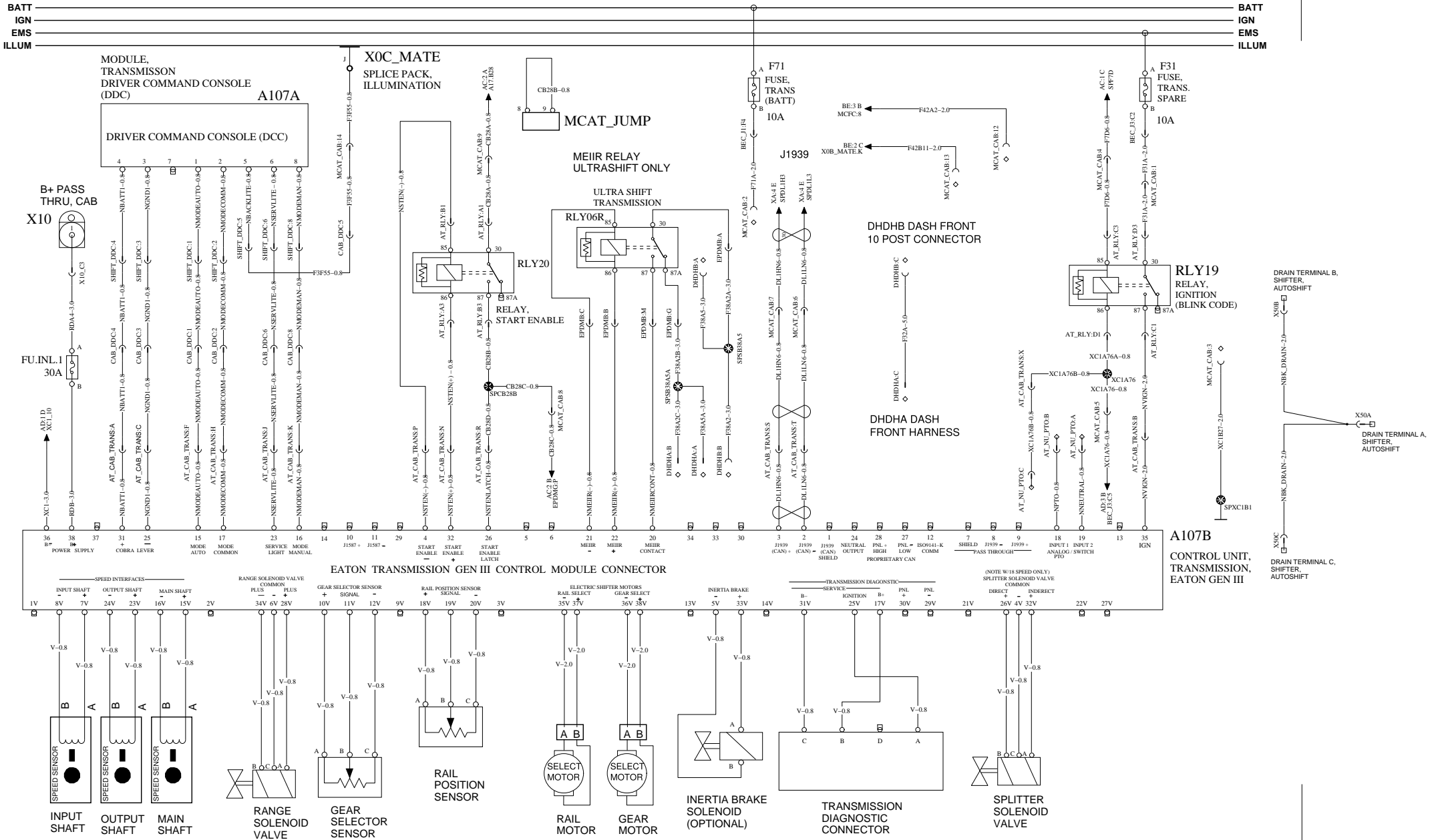
BATT
IGN
EMS
ILLUM

BATT
IGN
EMS
ILLUM



TRANSMISSION CONTROL: AUTOSHIFT / ULTRASHIFT III

WIRING DIAGRAM: DB

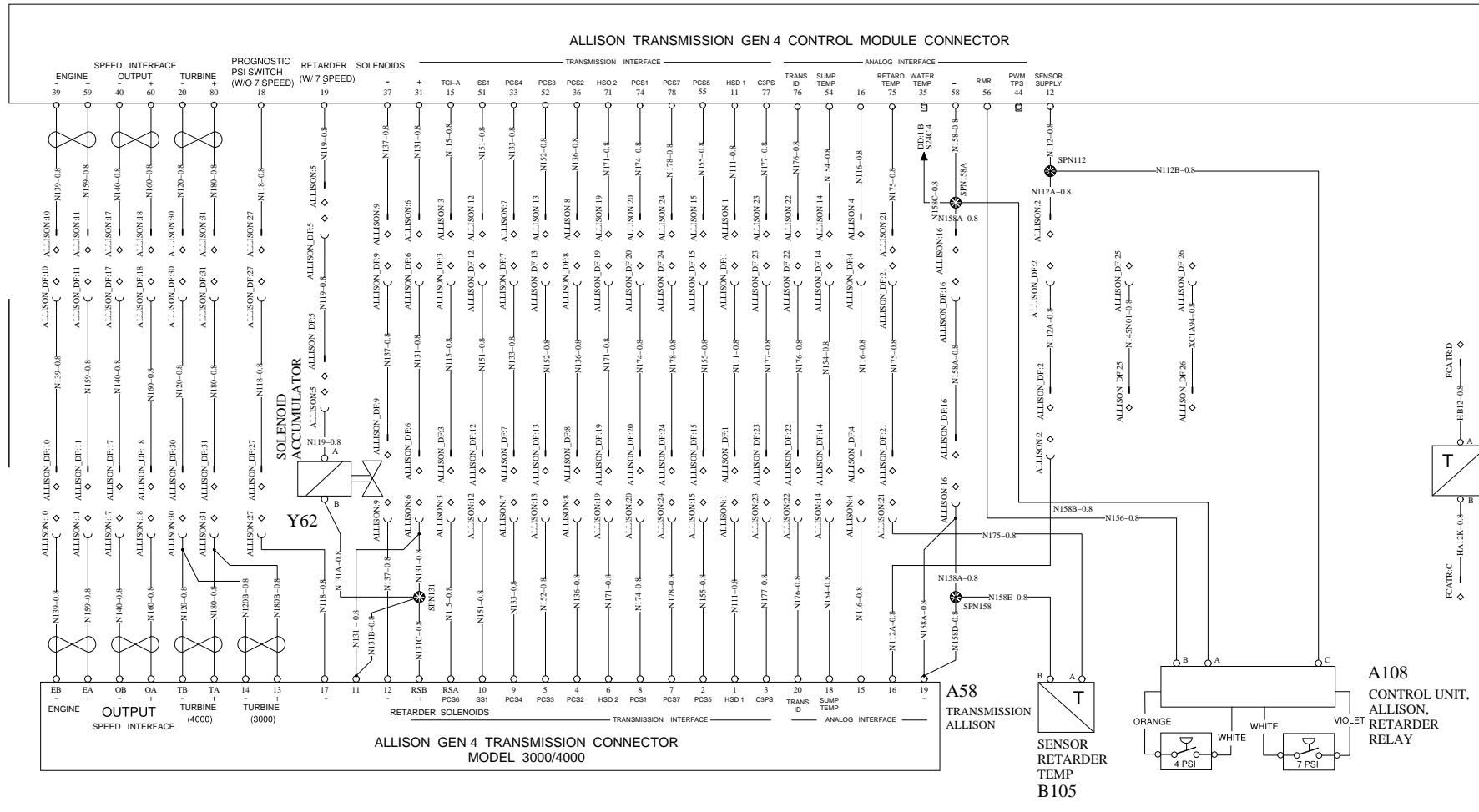


BATT
IGN
EMS
ILLUM

BATT
IGN
EMS
ILLUM

A57 CONTROL UNIT,
ALLISON TRANSMISSION

RHD EXPORT

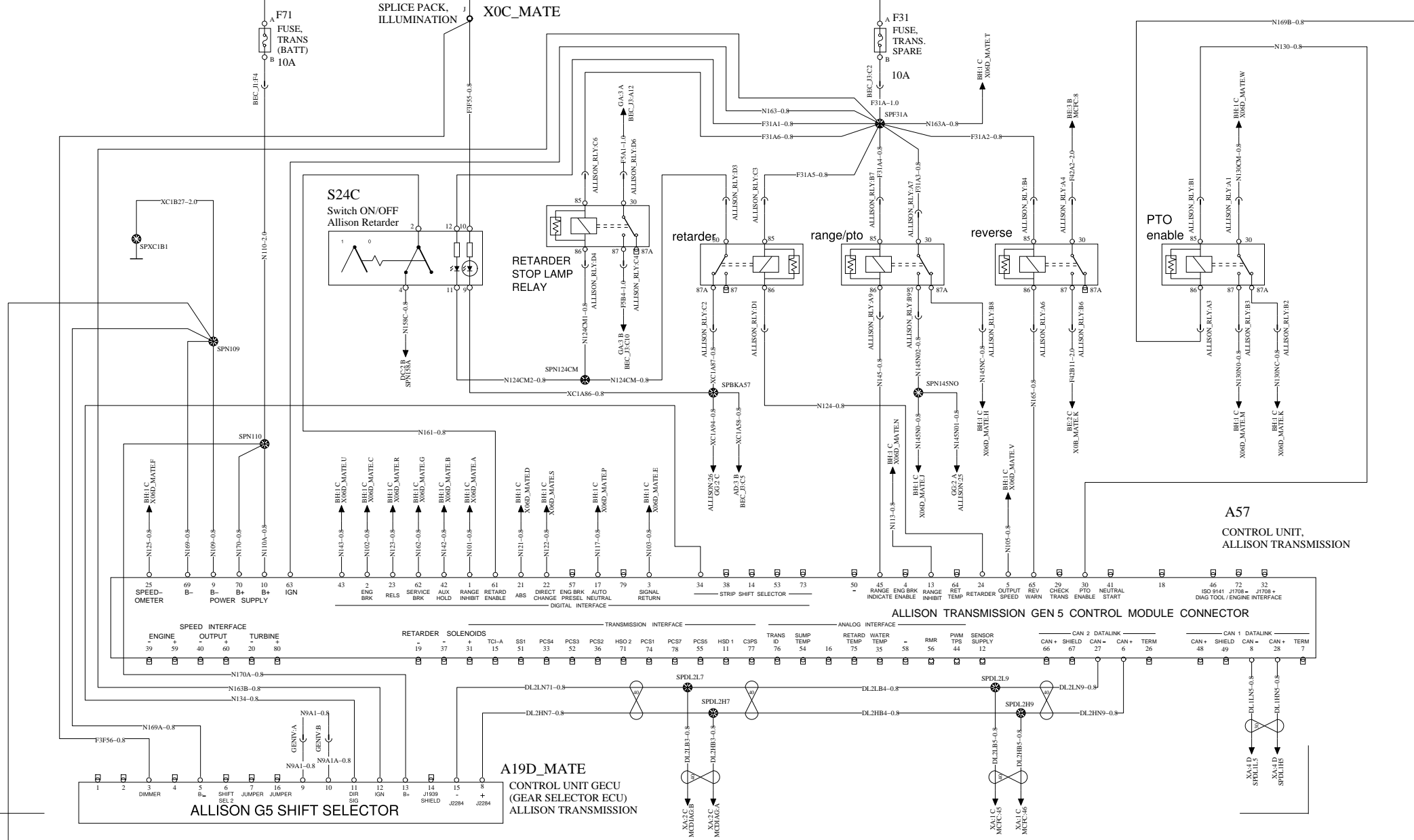


TRANSMISSION CONTROL 4th GENERATION 2/2

WIRING DIAGRAM: DD

BATT
IGN
EMS
ILLUM

BATT
IGN
EMS
ILLUM



Group Trucks Technology

Document title
WIRING DIAGRAM - PC28 - 12V MACK - 2013BP - ENG-CU12

Document type
PRODUCT SCHEMATIC

Document No

22234428

Issue

02

Volume

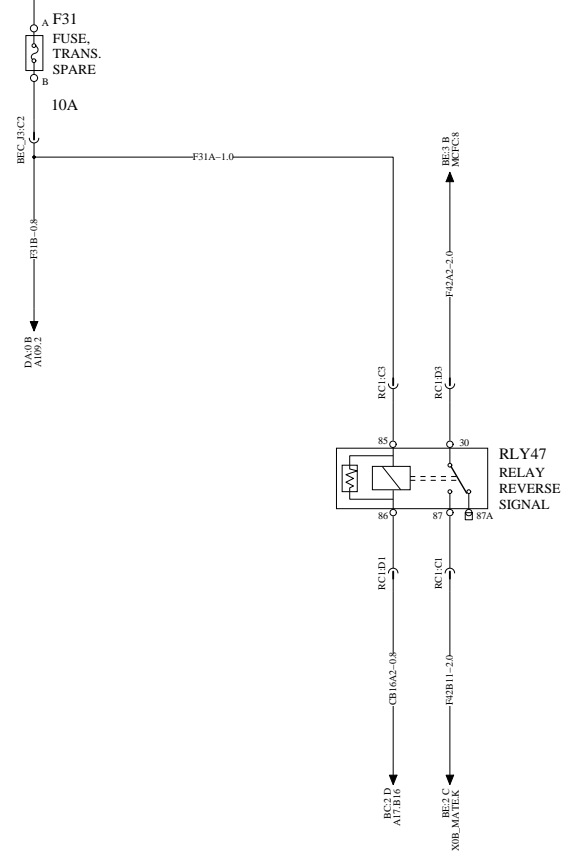
39 (83)

Page

TRANSMISSION CONTROLS – M-DRIVE

WIRING DIAGRAM: DE

BATT
IGN
EMS
ILLUM



Group Trucks Technology

Document title
WIRING DIAGRAM - PC28 - 12V MACK - 2013BP - ENG-CU12

Document type
PRODUCT SCHEMATIC

Document No
22234428

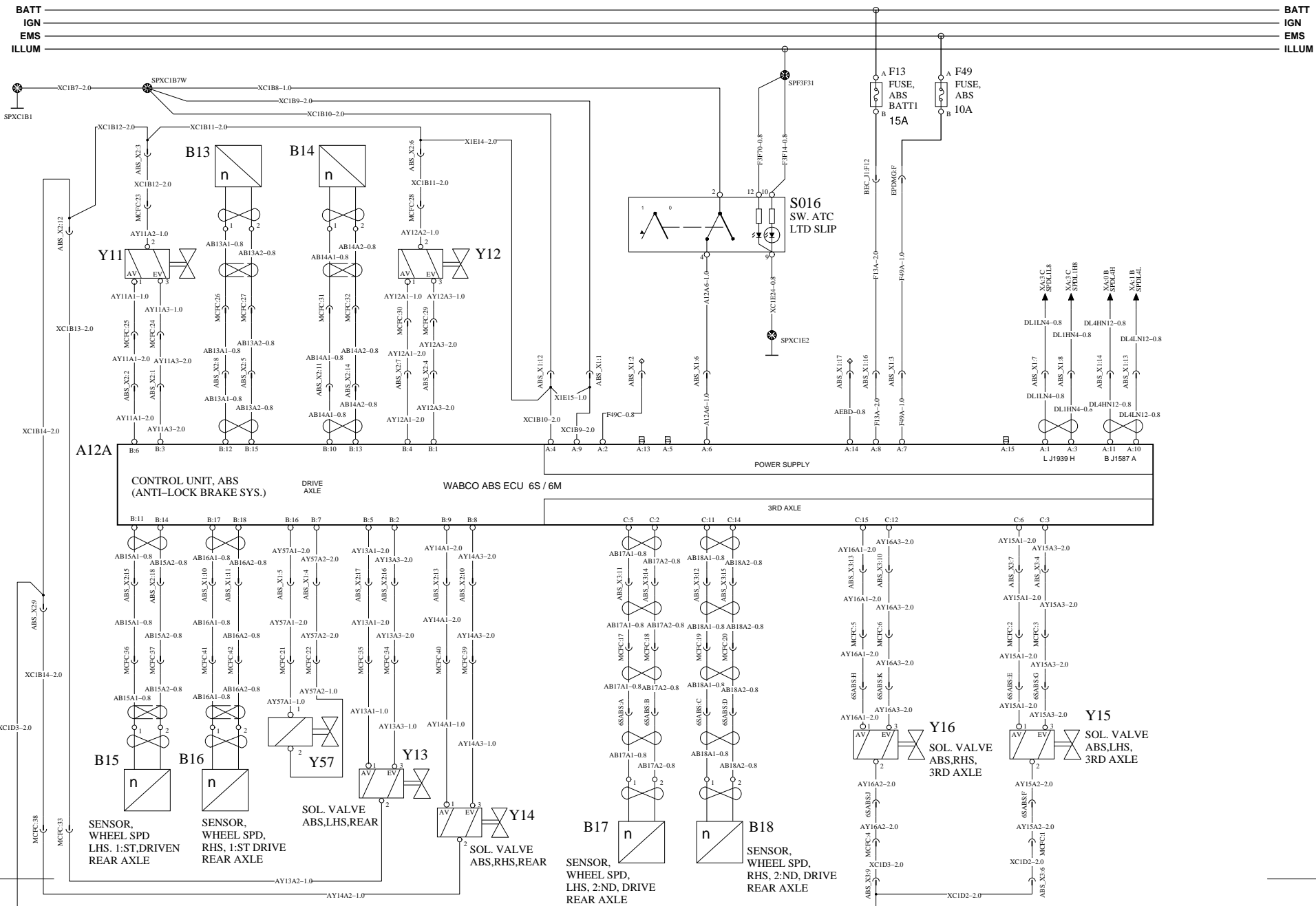
Issue
02

Volume
01

Page
40 (83)

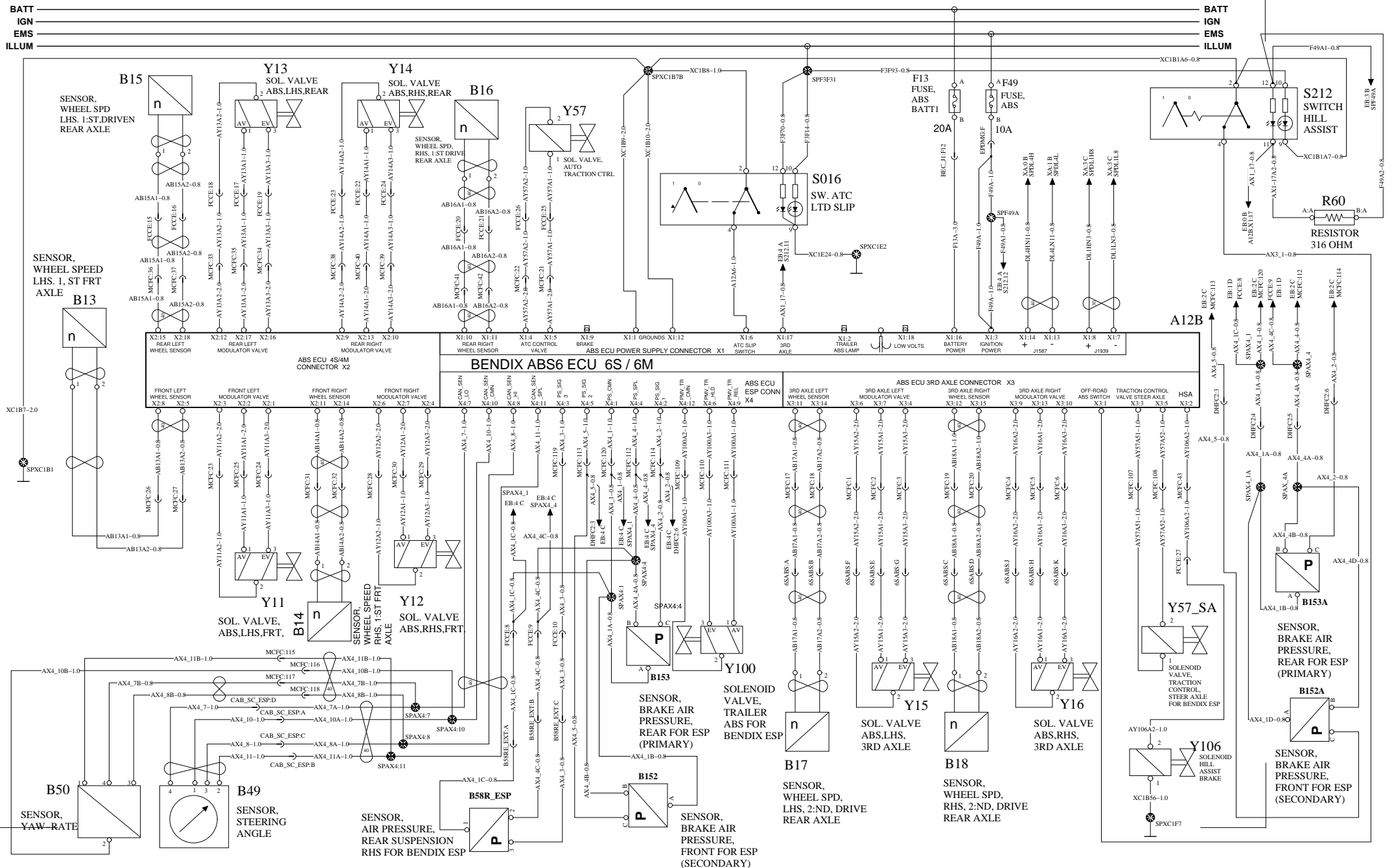
ABS-WABCO

WIRING DIAGRAM: EA



ABS BENDIX W/ESP (EATON)

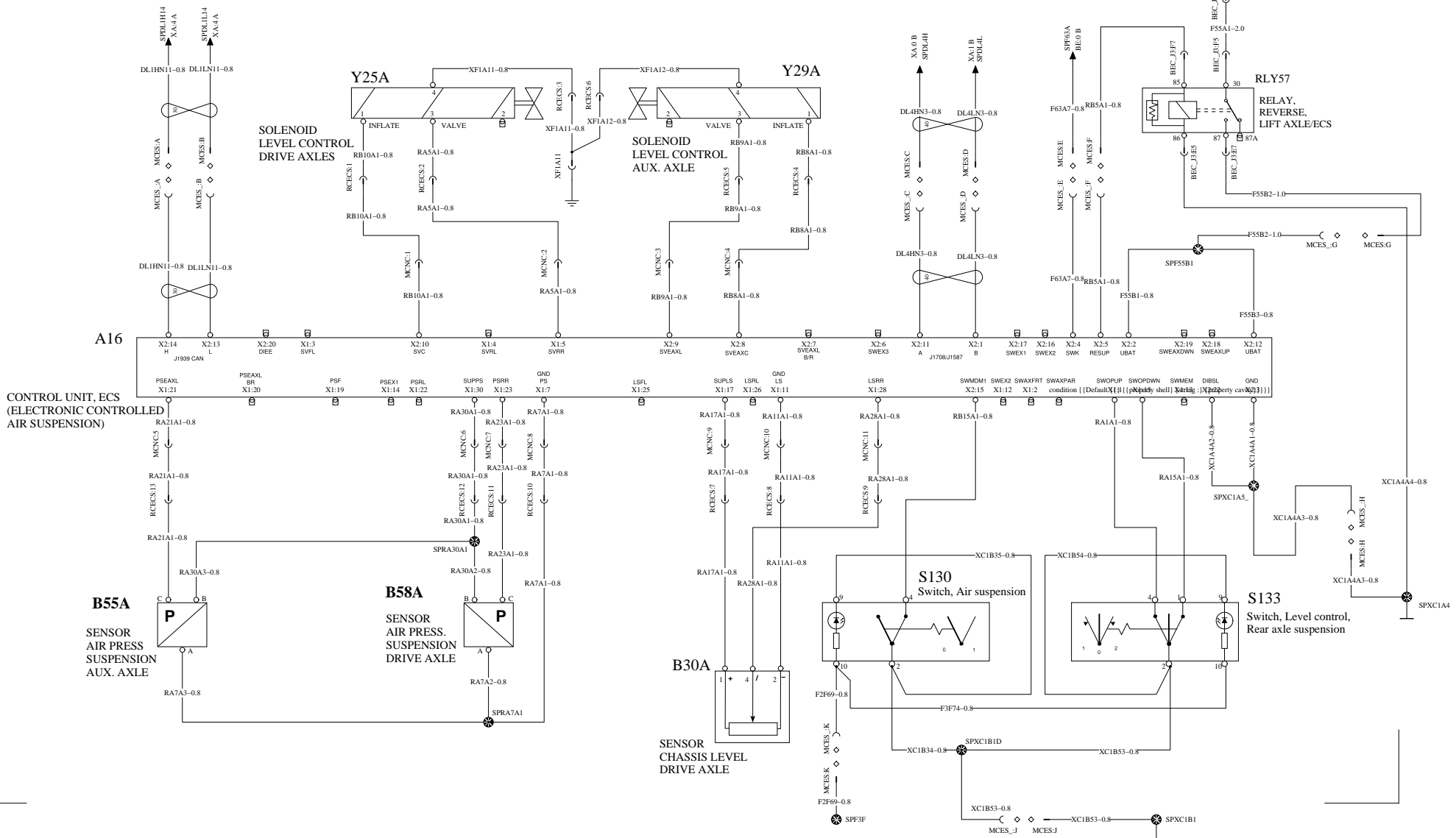
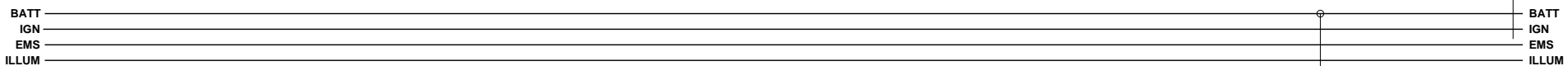
WIRING DIAGRAM: EB



Document title	Document No	Issue	Volume	Page
WIRING DIAGRAM - PC28 - 12V MACK - 2013BP - ENG-CU12	22234428	02	01	42 (83)
Document type				
PRODUCT SCHEMATIC				

VEHICLE ECU 2/4

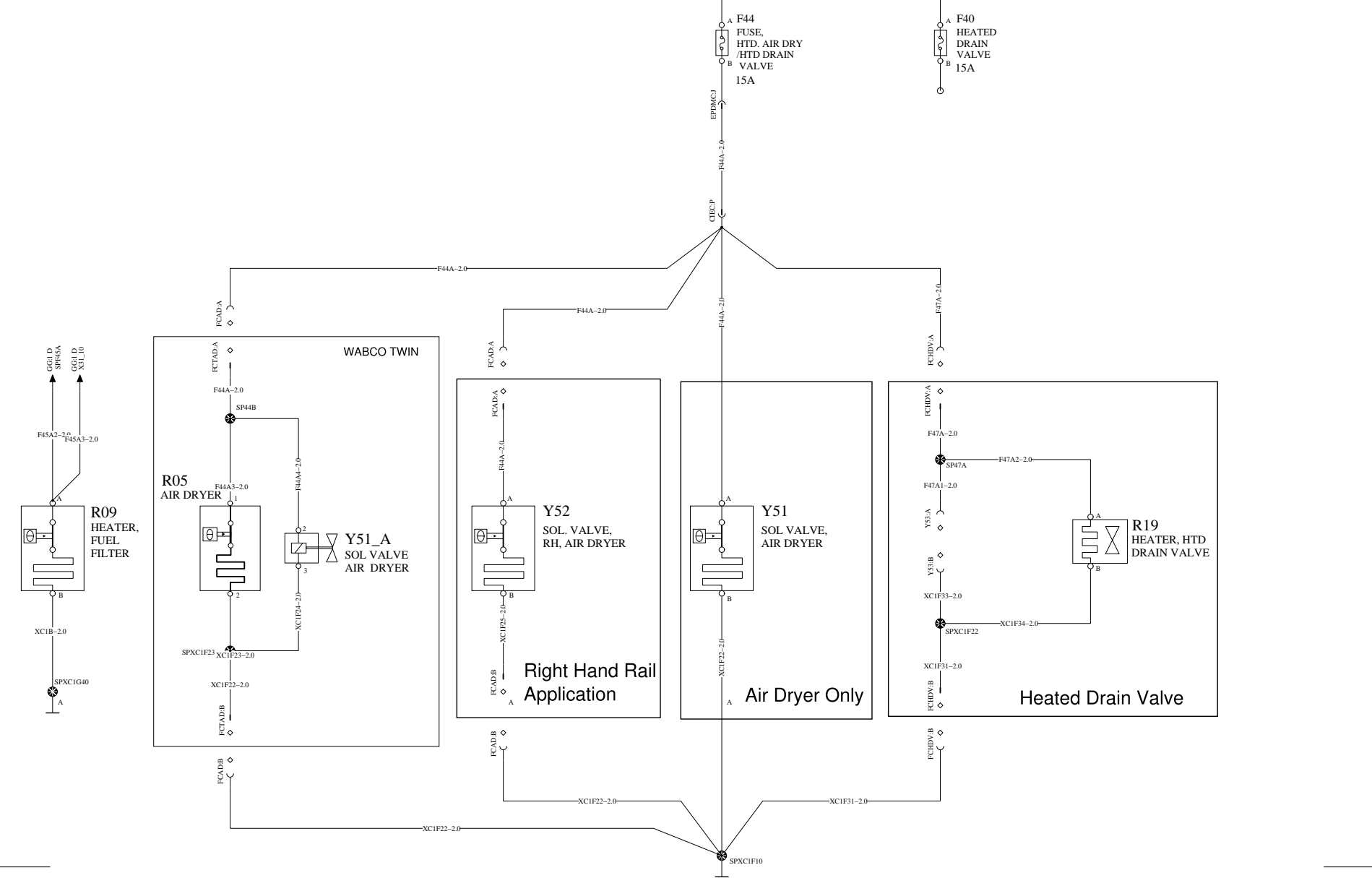
WIRING DIAGRAM : EC



AIR DRYER /HEATED DRAIN

WIRING DIAGRAM: FA

BATT
IGN
EMS
ILLUM



Group Trucks Technology

Document title
WIRING DIAGRAM - PC28 - 12V MACK - 2013BP - ENG-CU12
Document type
PRODUCT SCHEMATIC

Document No

22234428

Issue

02

Volume

01

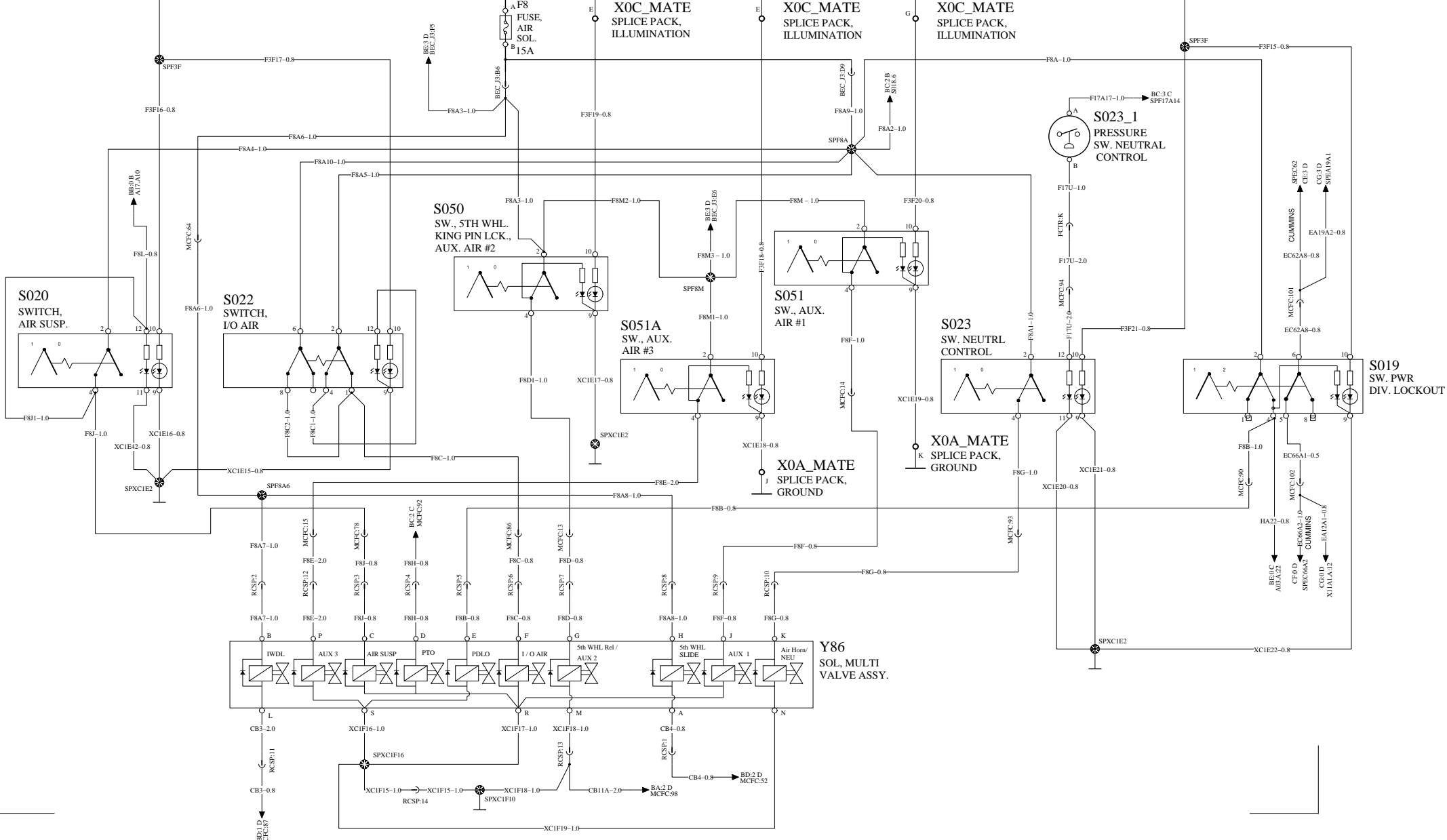
Page

44 (83)

CHASSIS SOLENOIDS

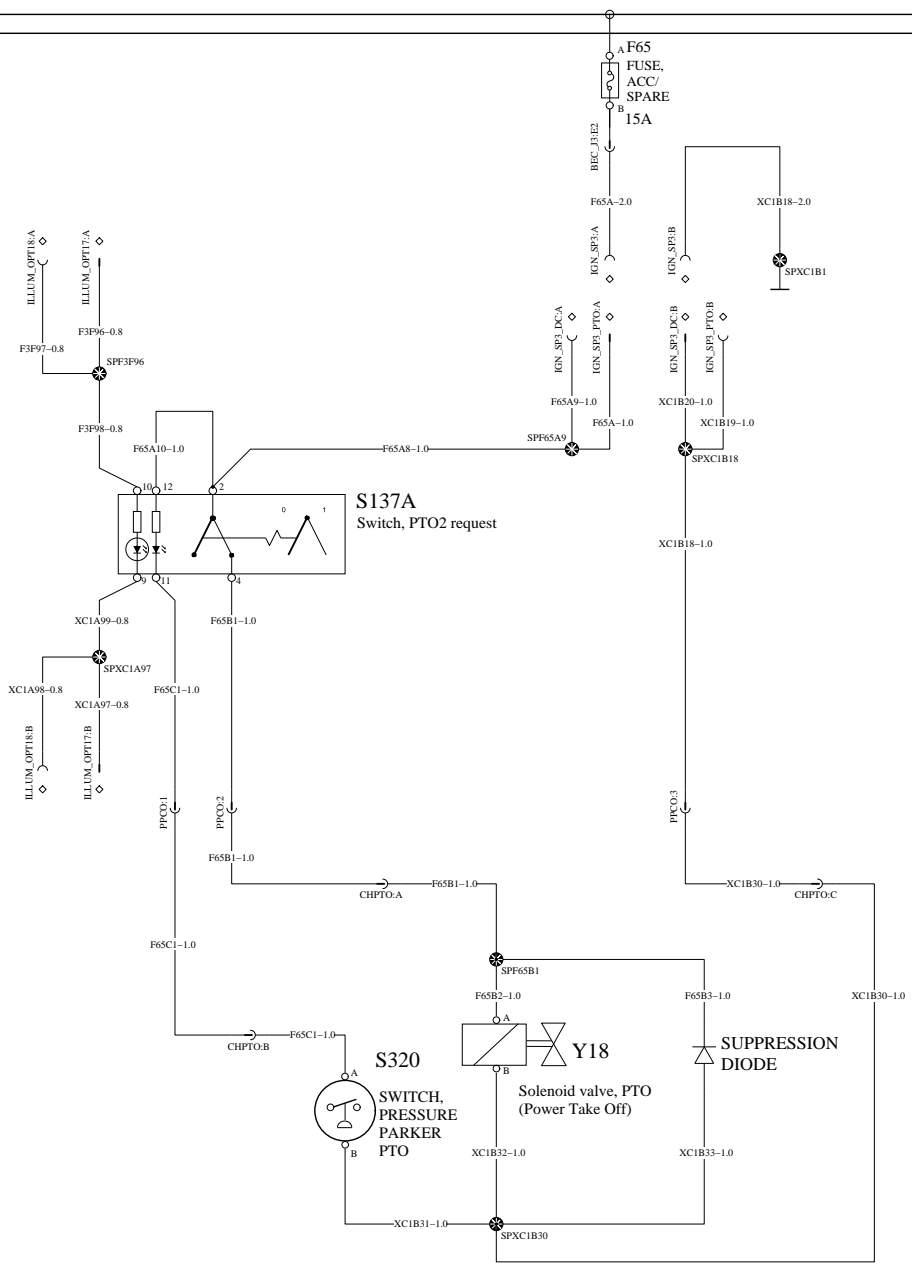
WIRING DIAGRAM: FB

BATT
IGN
EMS
ILLUM



BATT
IGN
EMS
ILLUM

BATT
IGN
EMS
ILLUM

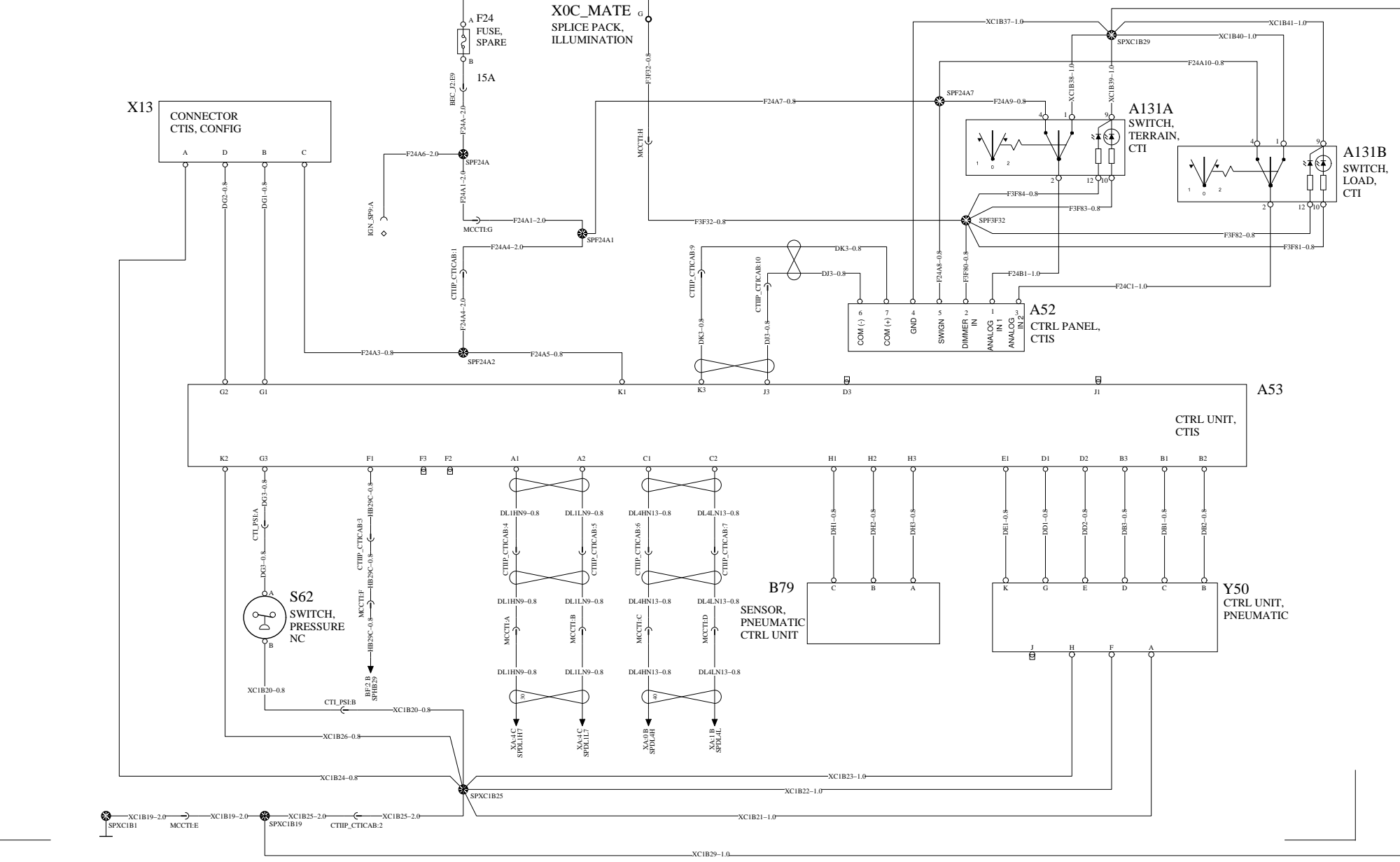


CENTRAL TIRE INFLATION

WIRING DIAGRAM: FE

BATT
IGN
EMS
ILLUM

BATT
IGN
EMS
ILLUM



Group Trucks Technology

Document title
WIRING DIAGRAM - PC28 - 12V MACK - 2013BP - ENG-CU12
Document type
PRODUCT SCHEMATIC

Document No

22234428

Issue

02

Volume

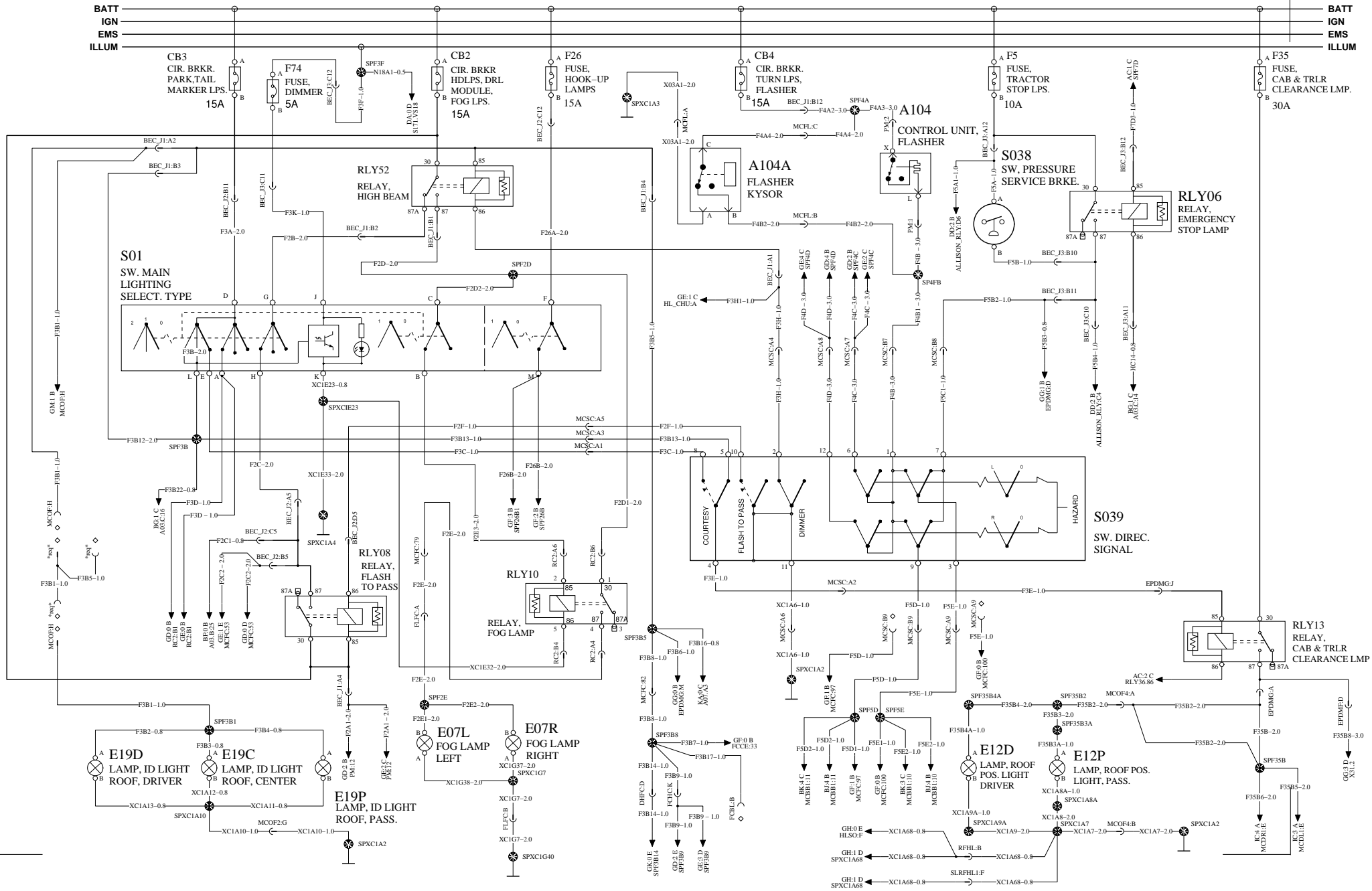
01

Page

47 (83)

LIGHTING CONTROL

WIRING DIAGRAM: GA



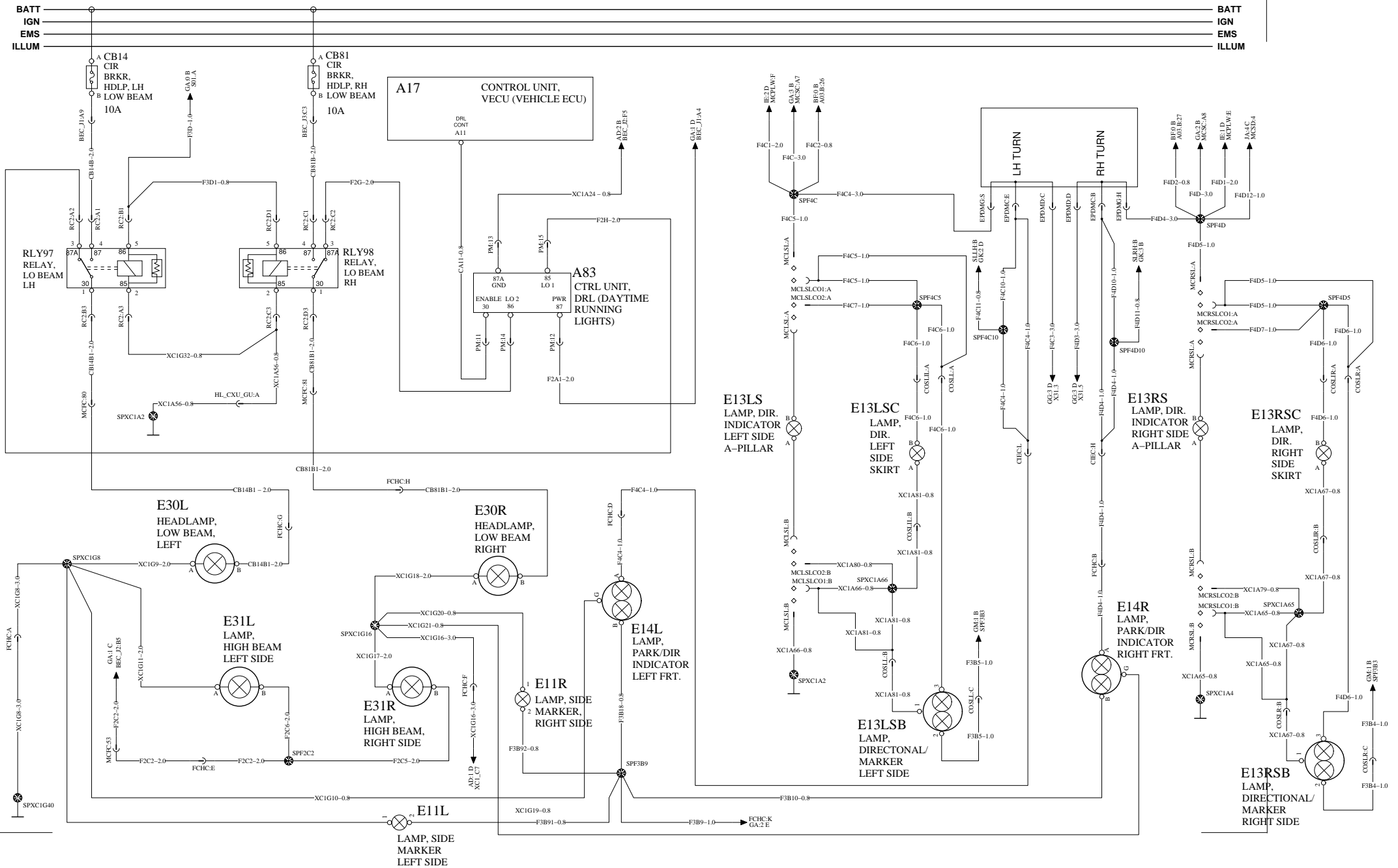
Document title
WIRING DIAGRAM - PC28 - 12V MACK - 2013BP - ENG-CU12

Document type
PRODUCT SCHEMATIC

Document No	Issue	Volume	Page
22234428	02	01	48 (83)

LIGHTING- FORWARD/SIGNAL (CXU, GU7 & GU8)

WIRING DIAGRAM: GD



Group Trucks Technology

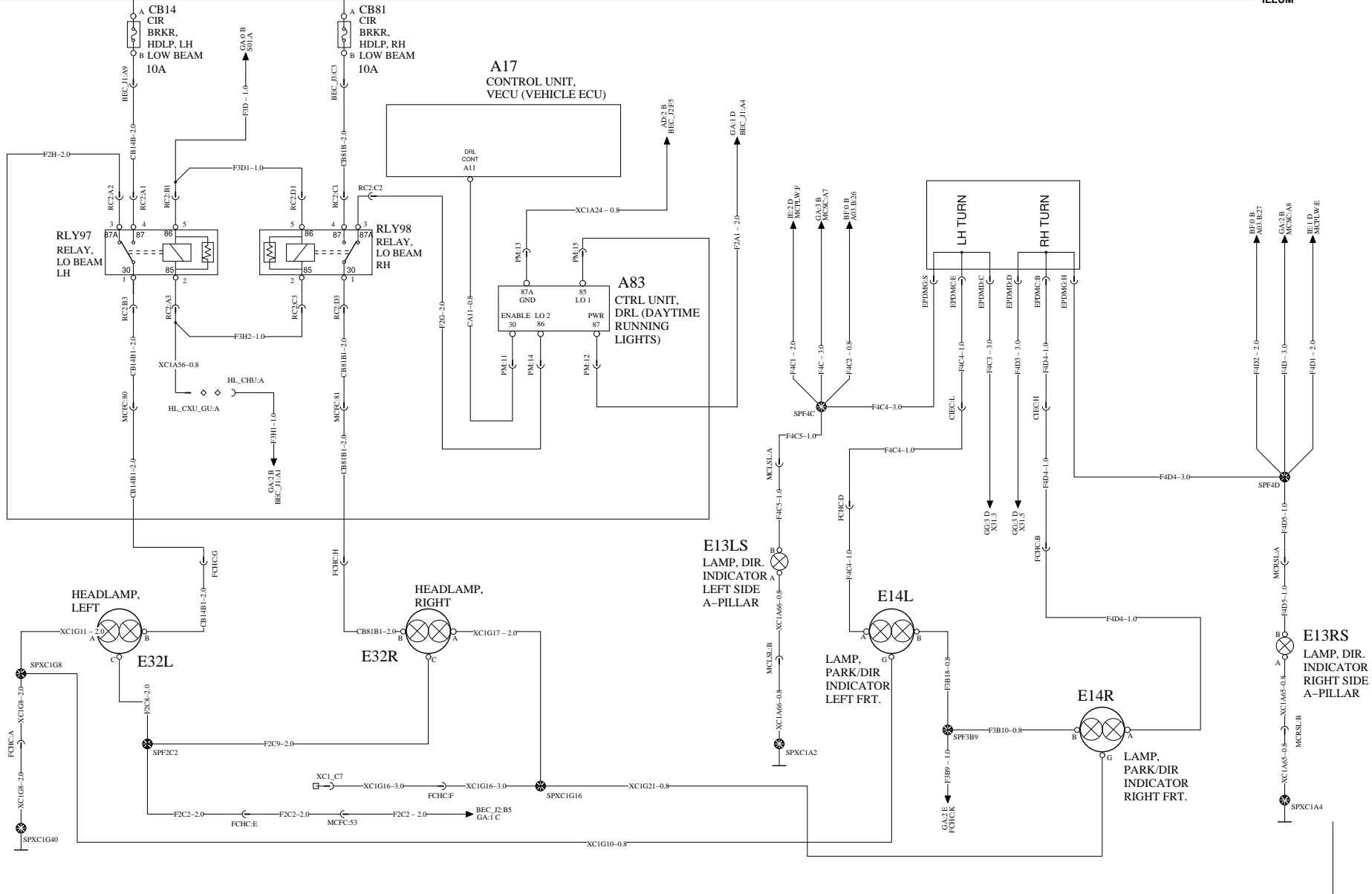
Document title	WIRING DIAGRAM - PC28 - 12V MACK - 2013BP - ENG-CU12
Document type	PRODUCT SCHEMATIC

Document No	22234428	Issue	02	Volume	01	Page	49 (83)
-------------	----------	-------	----	--------	----	------	---------

LIGHTING- FORWARD/SIGNAL (CHU ONLY)

WIRING DIAGRAM: GE

BATT
IGN
EMS
ILLUM

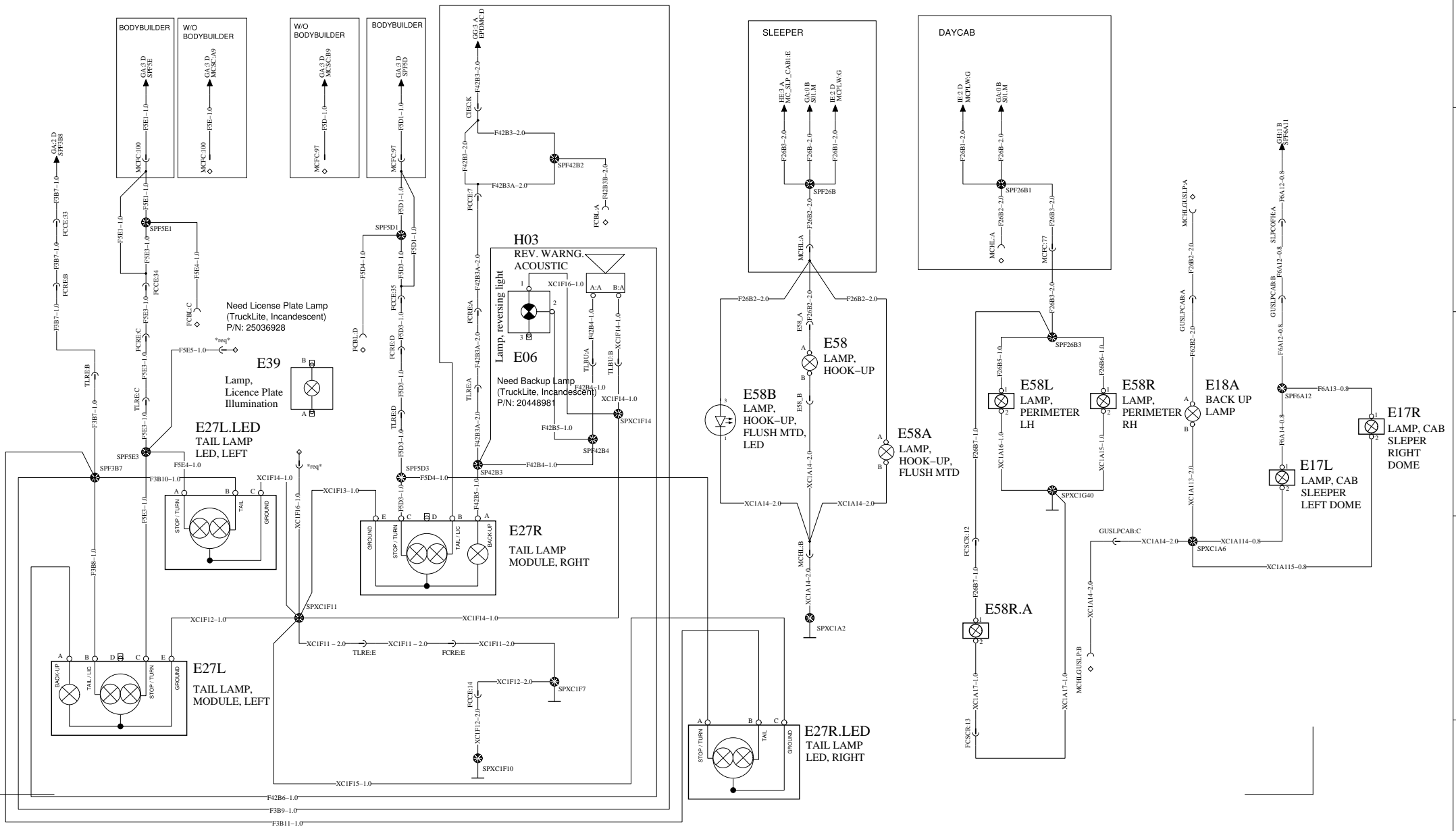


LIGHTING -TAIL/PERIMETER

WIRING DIAGRAM: GF

BATT
IGN
EMS
ILLUM

BATT
IGN
EMS
ILLUM



Group Trucks Technology

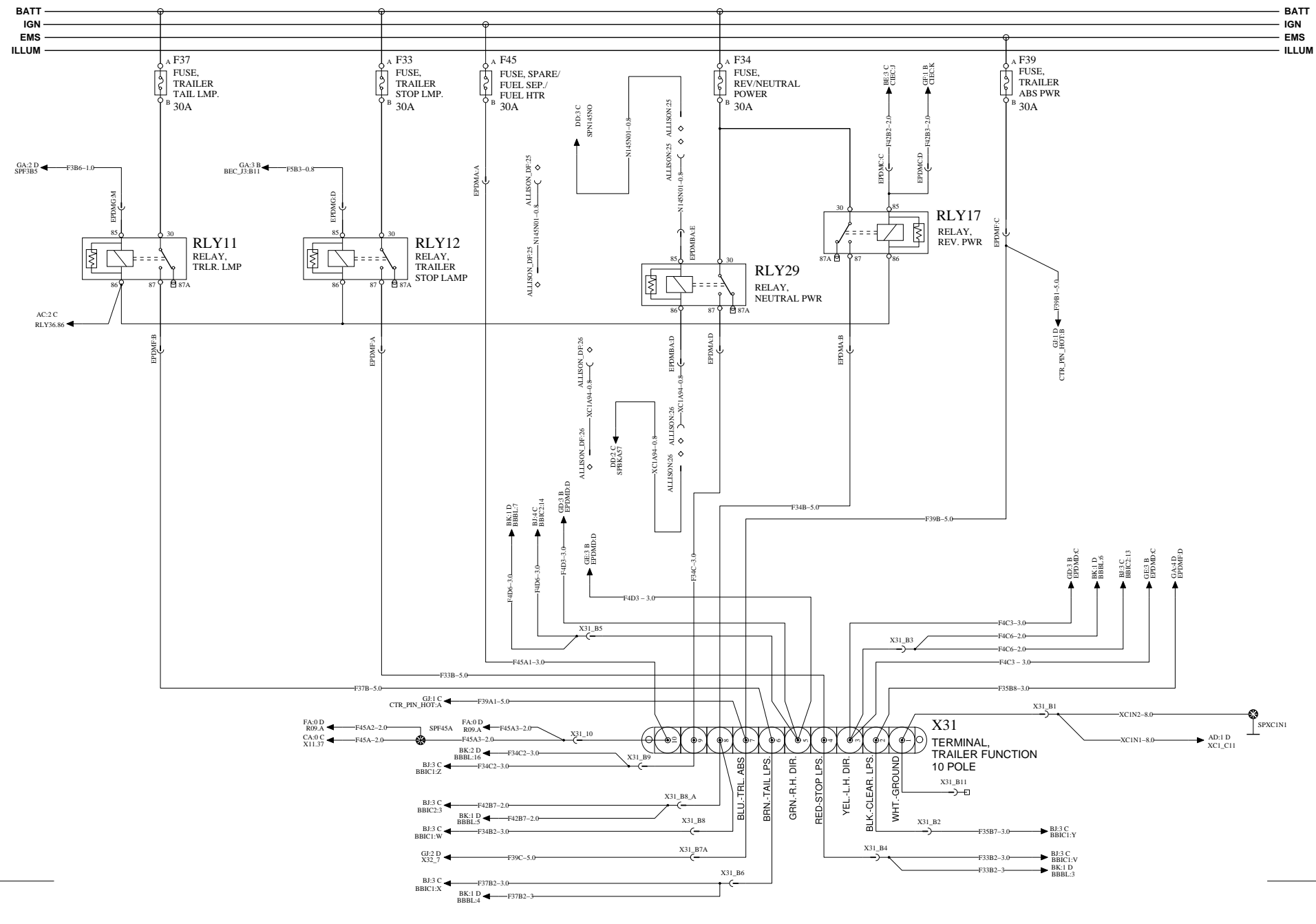
Document title
WIRING DIAGRAM - PC28 - 12V MACK - 2013BP - ENG-CU12

Document type
PRODUCT SCHEMATIC

Document No	Issue	Volume	Page
22234428	02	01	51 (83)

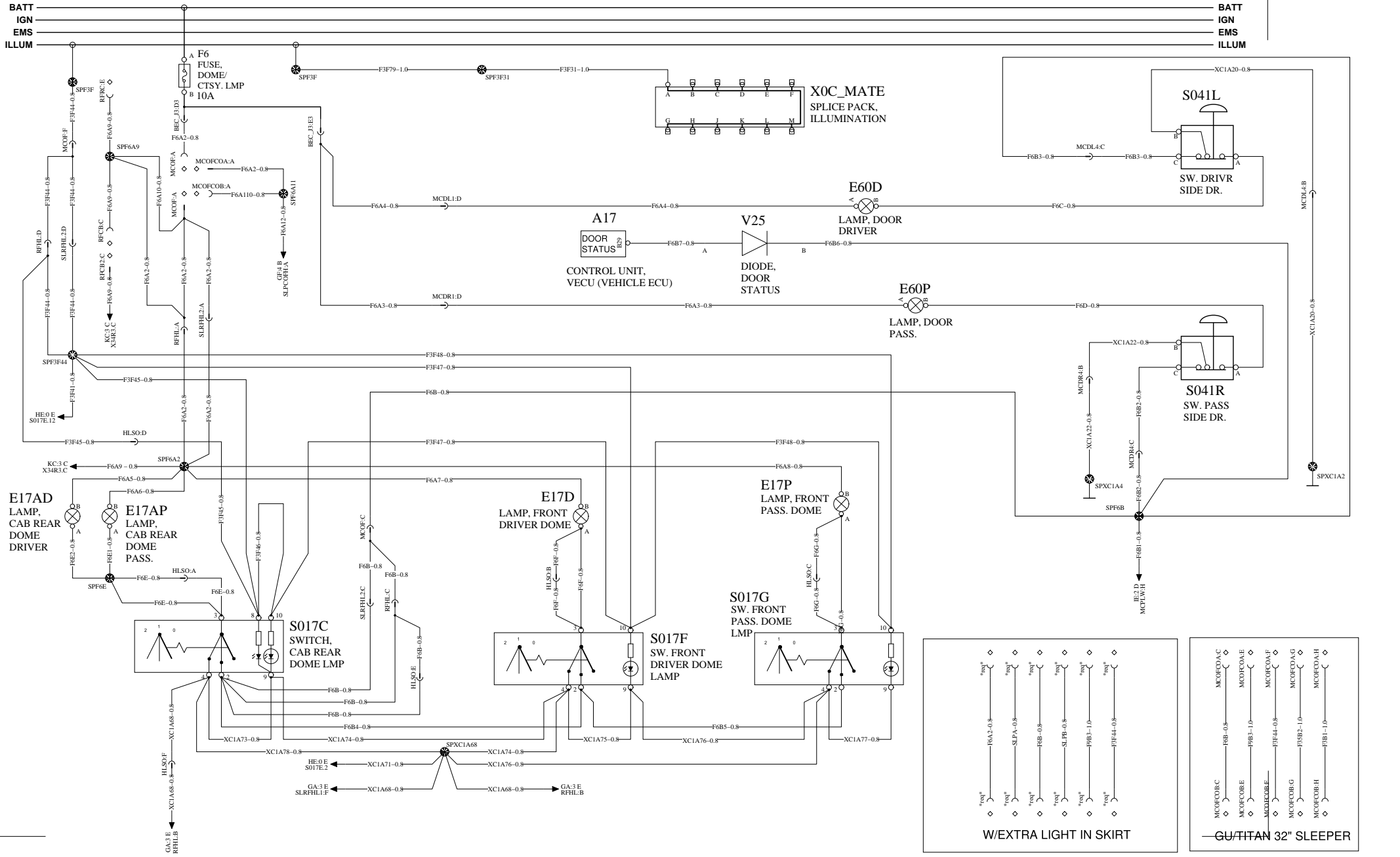
TRAILER LIGHTING CONTROL

WIRING DIAGRAM: GG



INTERIOR LIGHTING

WIRING DIAGRAM: GH

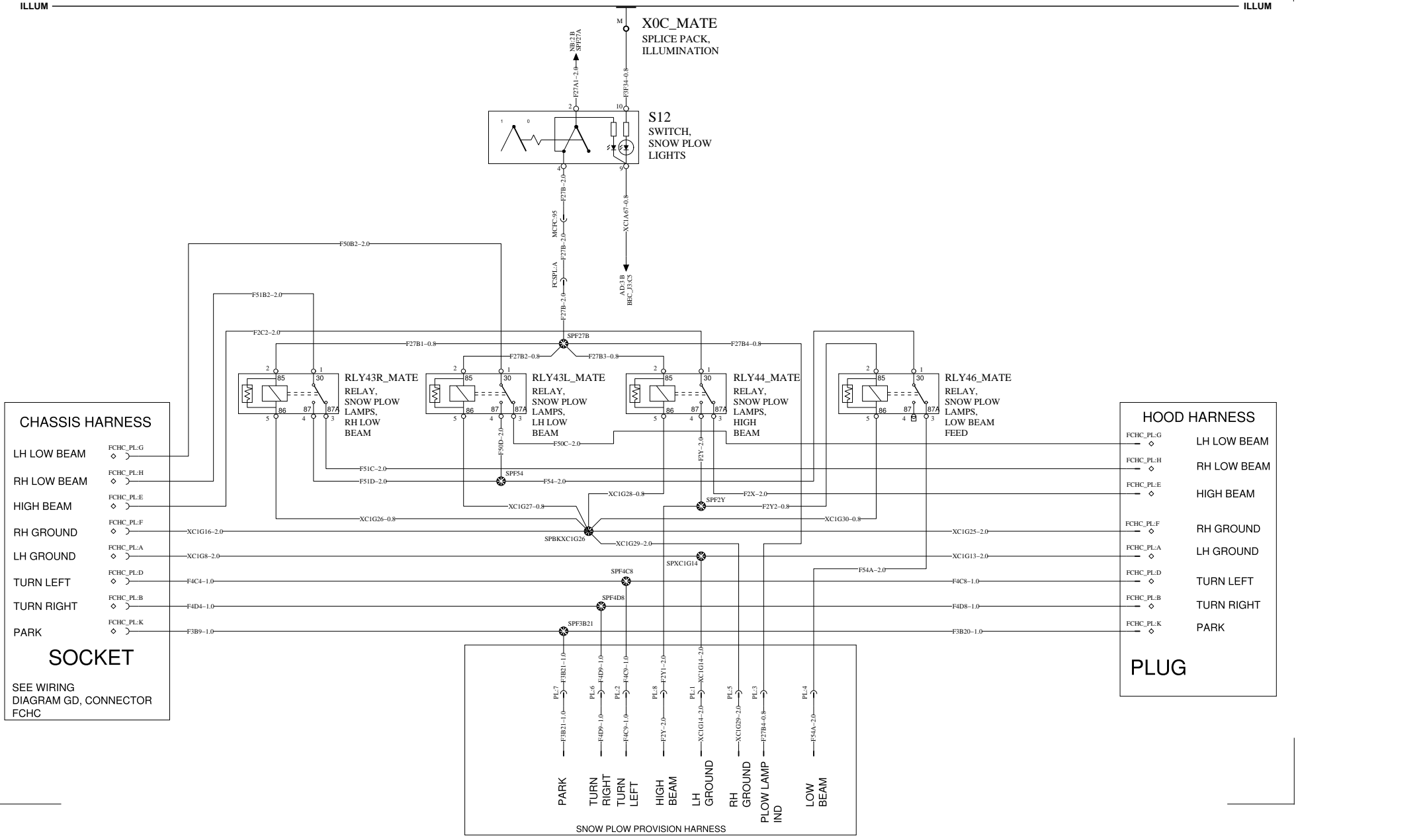


SNOW PLOW PREP CONNECTOR

WIRING DIAGRAM: GI

BATT
IGN
EMS
ILLUM

BATT
IGN
EMS
ILLUM



CHASSIS HARNESS

- LH LOW BEAM FCHC_PL.G
- RH LOW BEAM FCHC_PL.H
- HIGH BEAM FCHC_PL.E
- RH GROUND FCHC_PL.F
- LH GROUND FCHC_PL.A
- TURN LEFT FCHC_PL.D
- TURN RIGHT FCHC_PL.B
- PARK FCHC_PL.K

SOCKET

SEE WIRING DIAGRAM GD, CONNECTOR FCHC

HOOD HARNESS

- LH LOW BEAM FCHC_PL.G
- RH LOW BEAM FCHC_PL.H
- HIGH BEAM FCHC_PL.E
- RH GROUND FCHC_PL.F
- LH GROUND FCHC_PL.A
- TURN LEFT FCHC_PL.D
- TURN RIGHT FCHC_PL.B
- PARK FCHC_PL.K

PLUG

SNOW PLOW PROVISION HARNESS

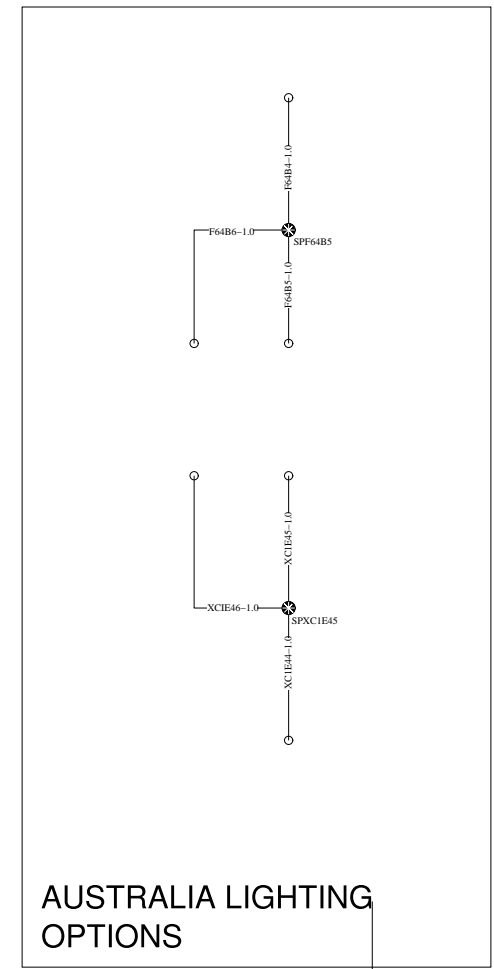
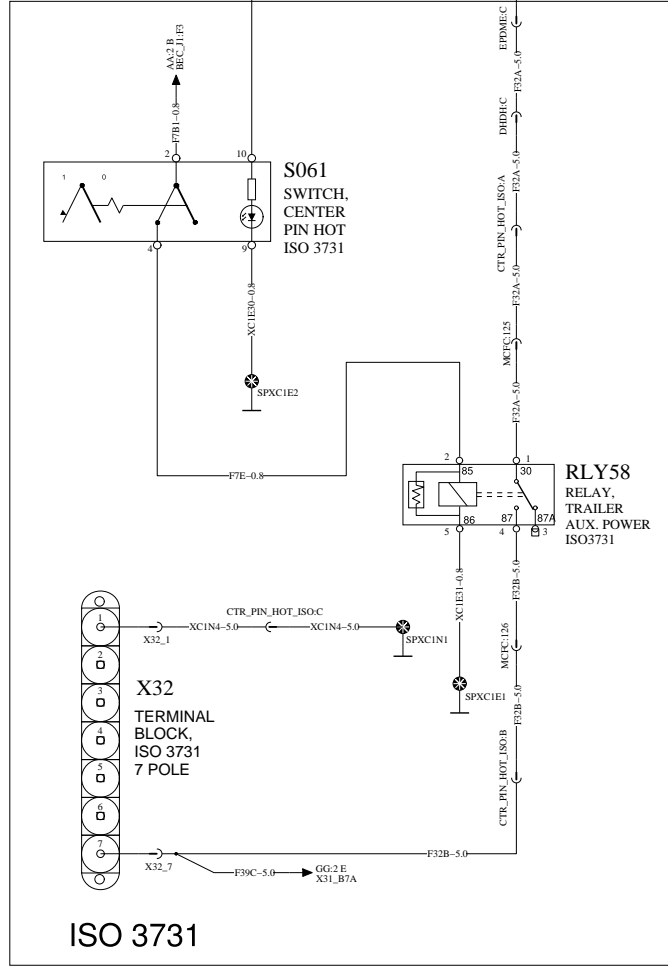
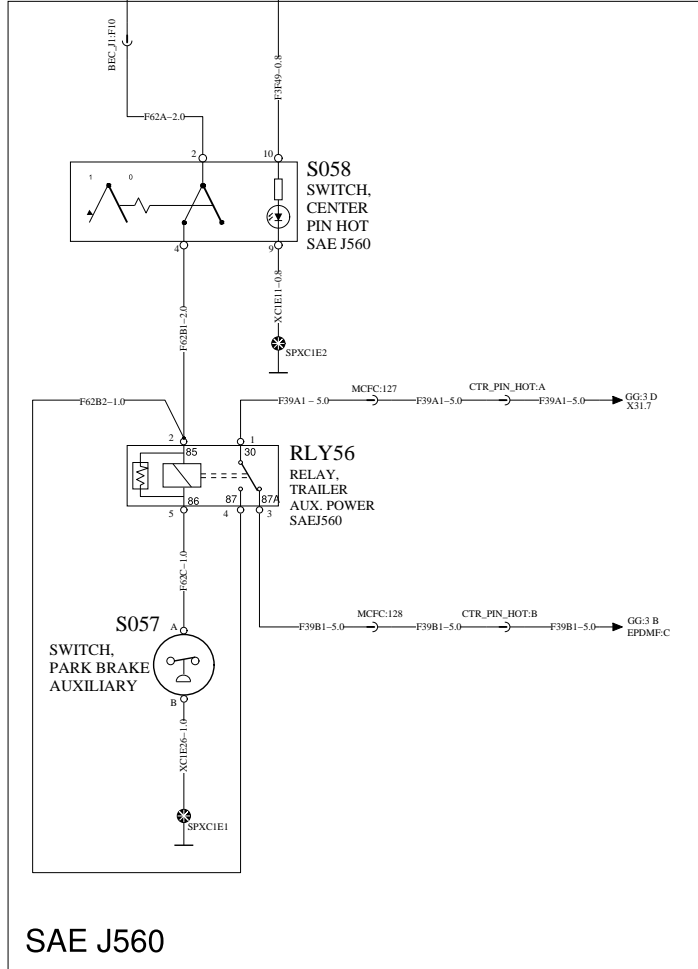
- PARK F3B21-1.0
- TURN RIGHT F4D9-1.0
- TURN LEFT F4C9-1.0
- HIGH BEAM F2Y-2.0
- LH GROUND XCIG14-2.0
- RH GROUND XCIG29-2.0
- PLOW LAMP IND F27B4-0.8
- LOW BEAM F54A-2.0

TRAILER RECEPTACLE CENTER PIN HOT

WIRING DIAGRAM: GJ

BATT
IGN
EMS
ILLUM

BATT
IGN
EMS
ILLUM



Group Trucks Technology

Document title
WIRING DIAGRAM - PC28 - 12V MACK - 2013BP - ENG-CU12

Document type
PRODUCT SCHEMATIC

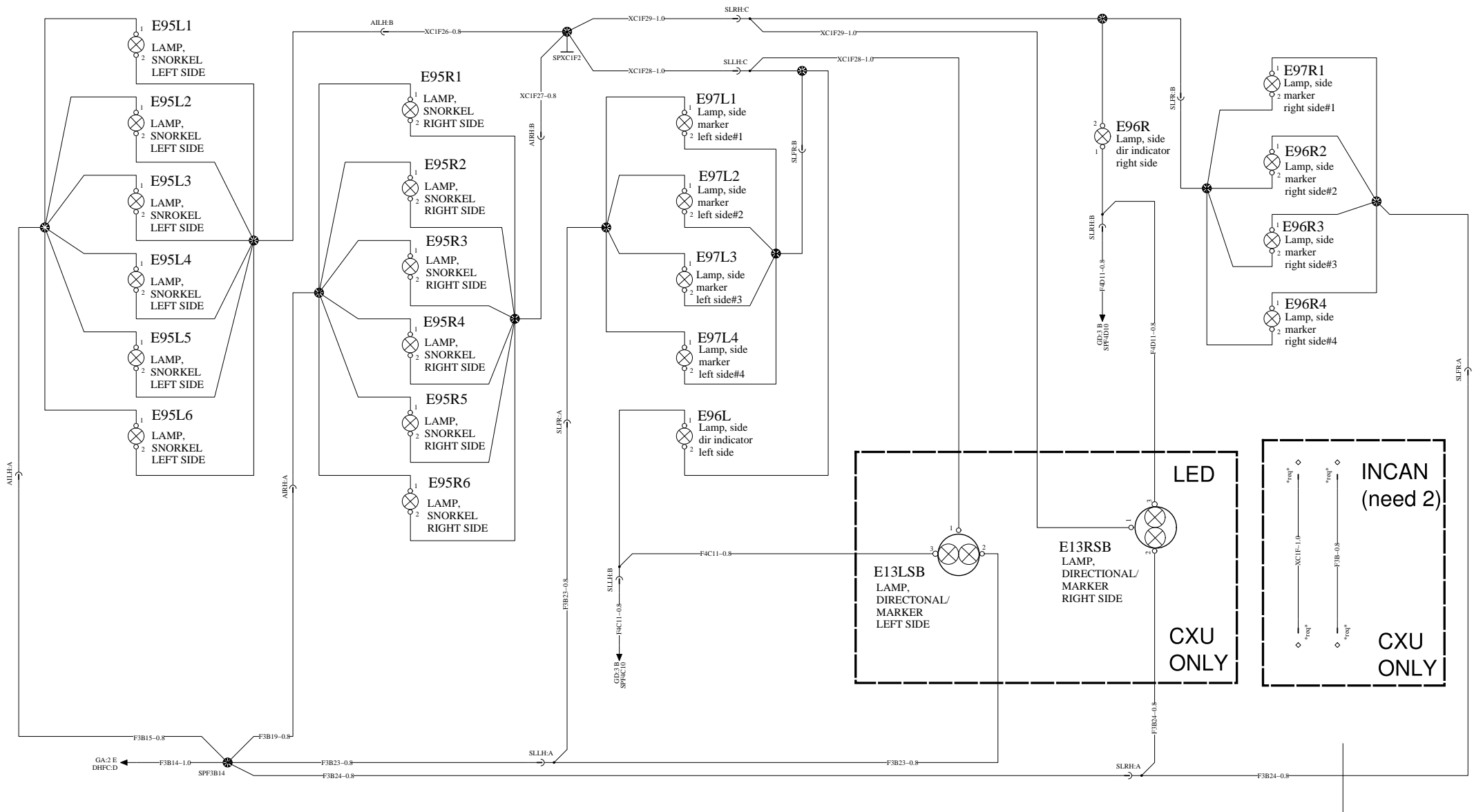
Document No	Issue	Volume	Page
22234428	02	01	55 (83)

TITAN LIGHTING OPTIONS

WIRING DIAGRAM: GK

BATT
IGN
EMS
ILLUM

BATT
IGN
EMS
ILLUM



Group Trucks Technology

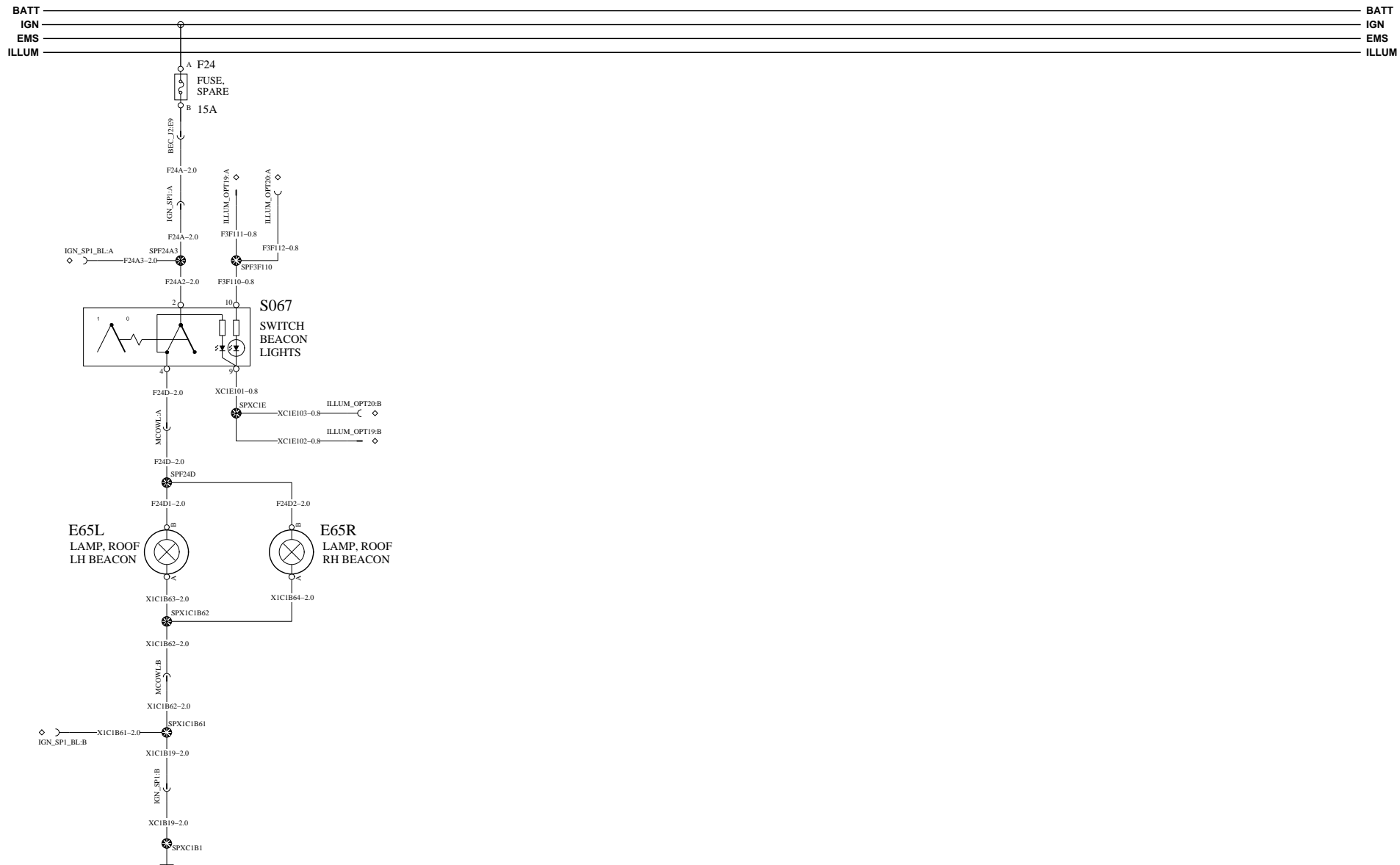
Document title
WIRING DIAGRAM - PC28 - 12V MACK - 2013BP - ENG-CU12
Document type
PRODUCT SCHEMATIC

Document No
22234428

Issue	Volume	Page
02	01	56 (83)

LIGHTING - BEACON LAMPS

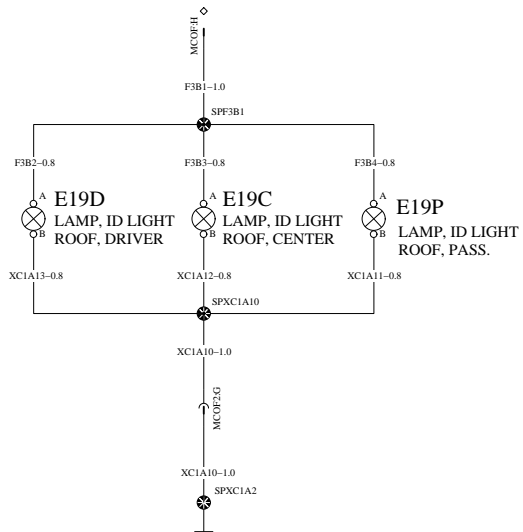
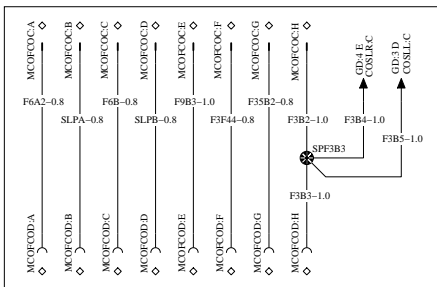
WIRING DIAGRAM: GL



BATT
IGN
EMS
ILLUM

BATT
IGN
EMS
ILLUM

W/EXTRA LIGHT IN SKIRT

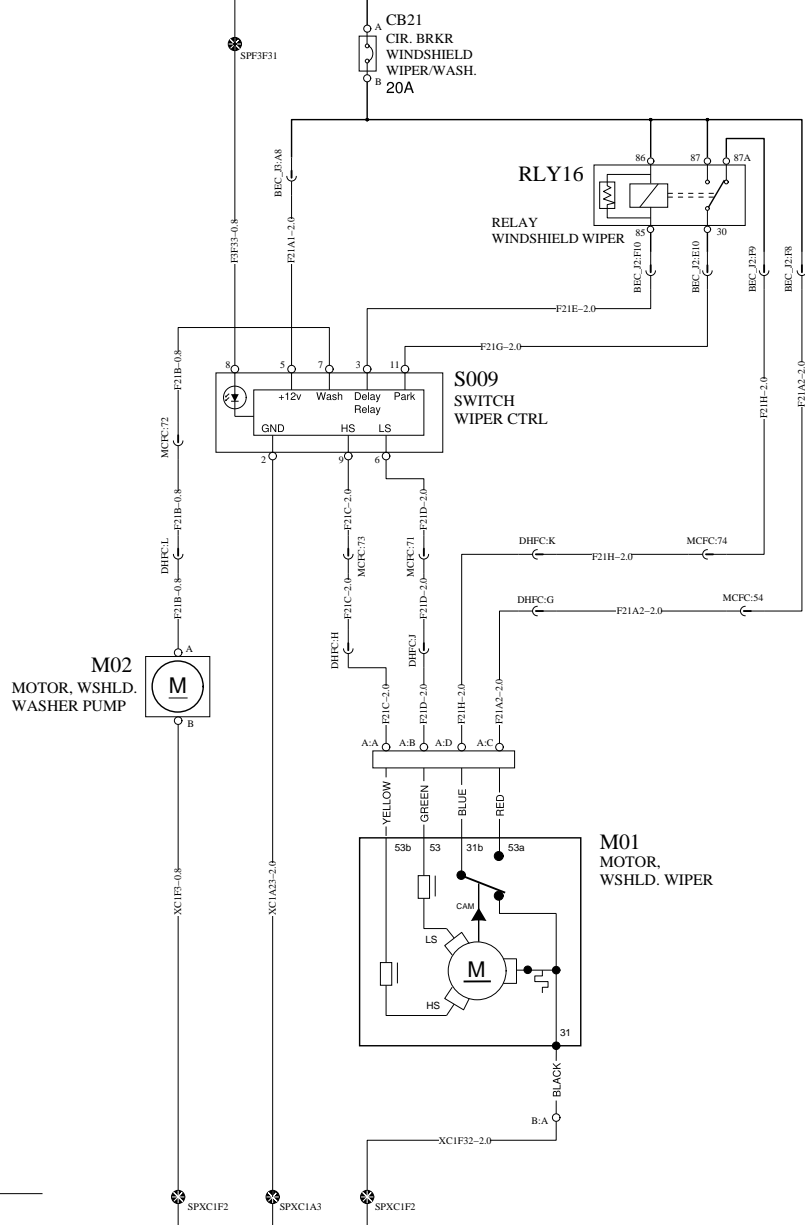


WIPER/WASHER

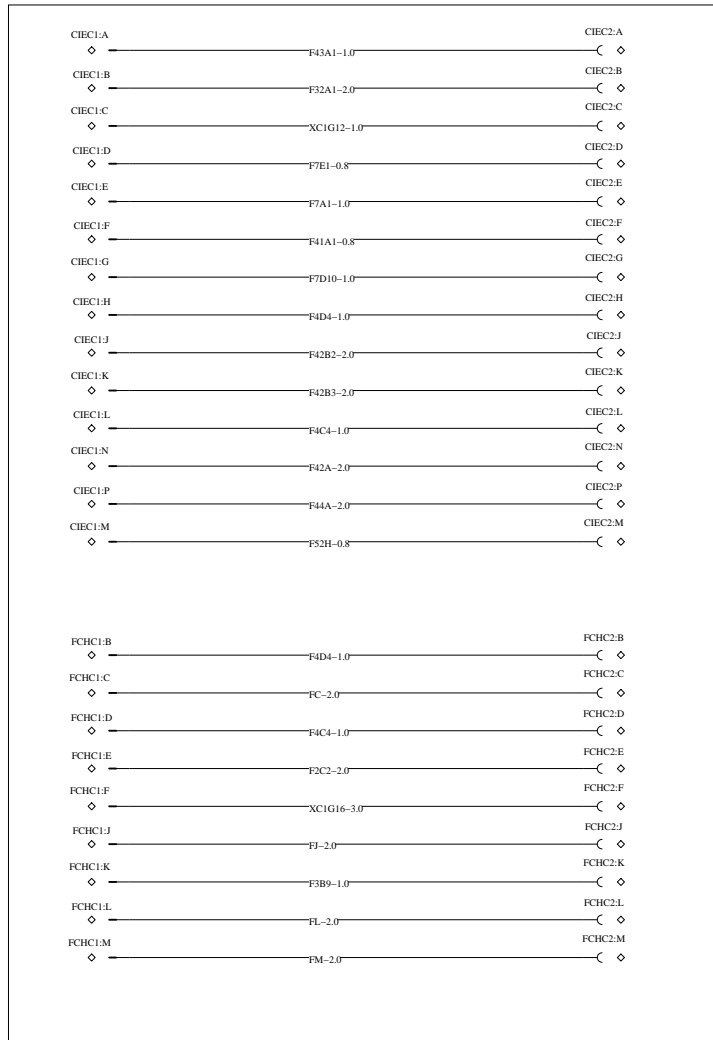
WIRING DIAGRAM: GP

BATT
IGN
EMS
ILLUM

BATT
IGN
EMS
ILLUM



PASSTHROUGH WIRES FOR CHASSIS DRL OVERLAY

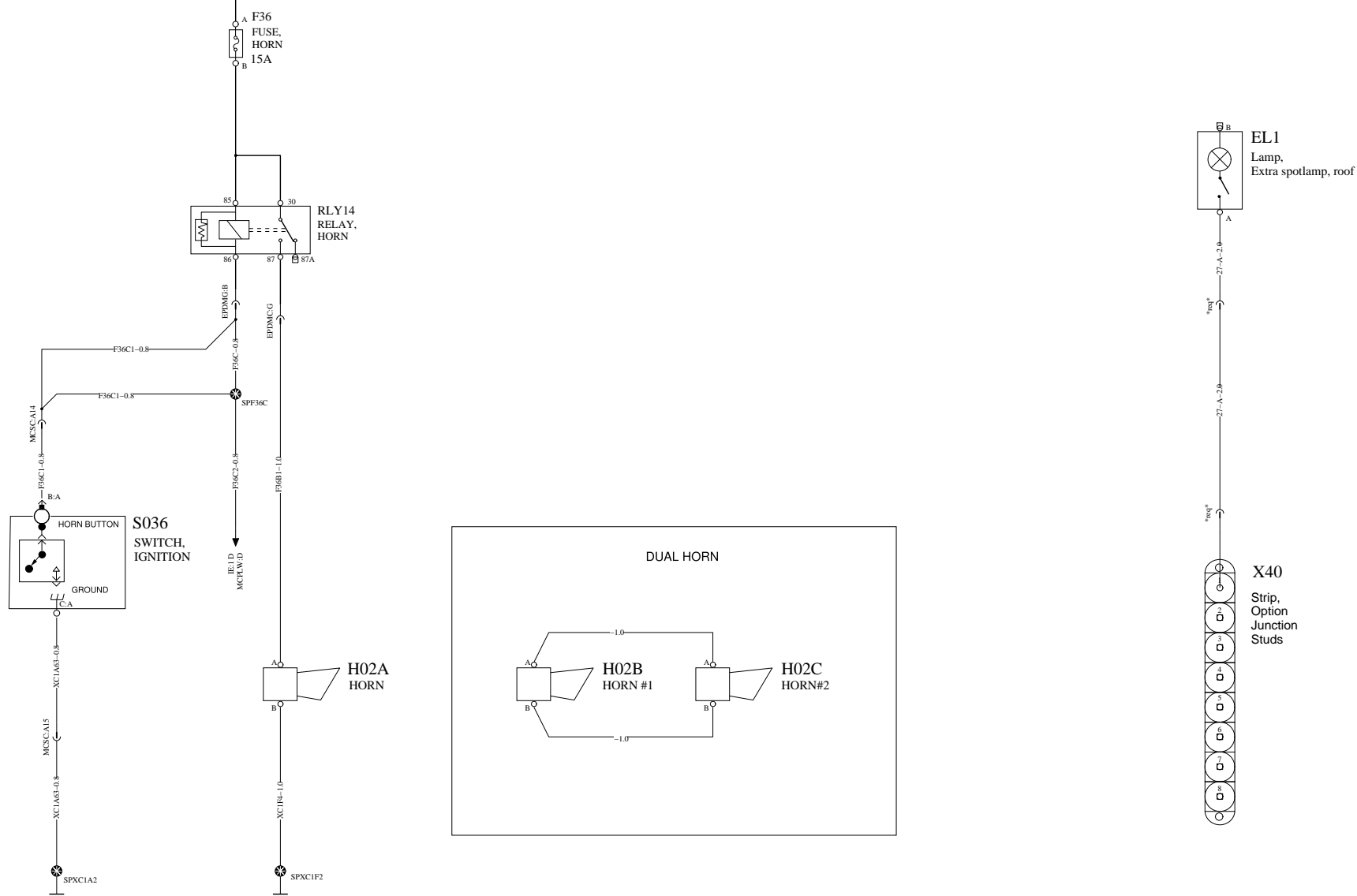


HORN WIRING/ SPOTLIGHT

WIRING DIAGRAM: GQ

BATT
IGN
EMS
ILLUM

BATT
IGN
EMS
ILLUM



Group Trucks Technology

Document title
WIRING DIAGRAM - PC28 - 12V MACK - 2013BP - ENG-CU12

Document type
PRODUCT SCHEMATIC

Document No

22234428

Issue

02

Volume

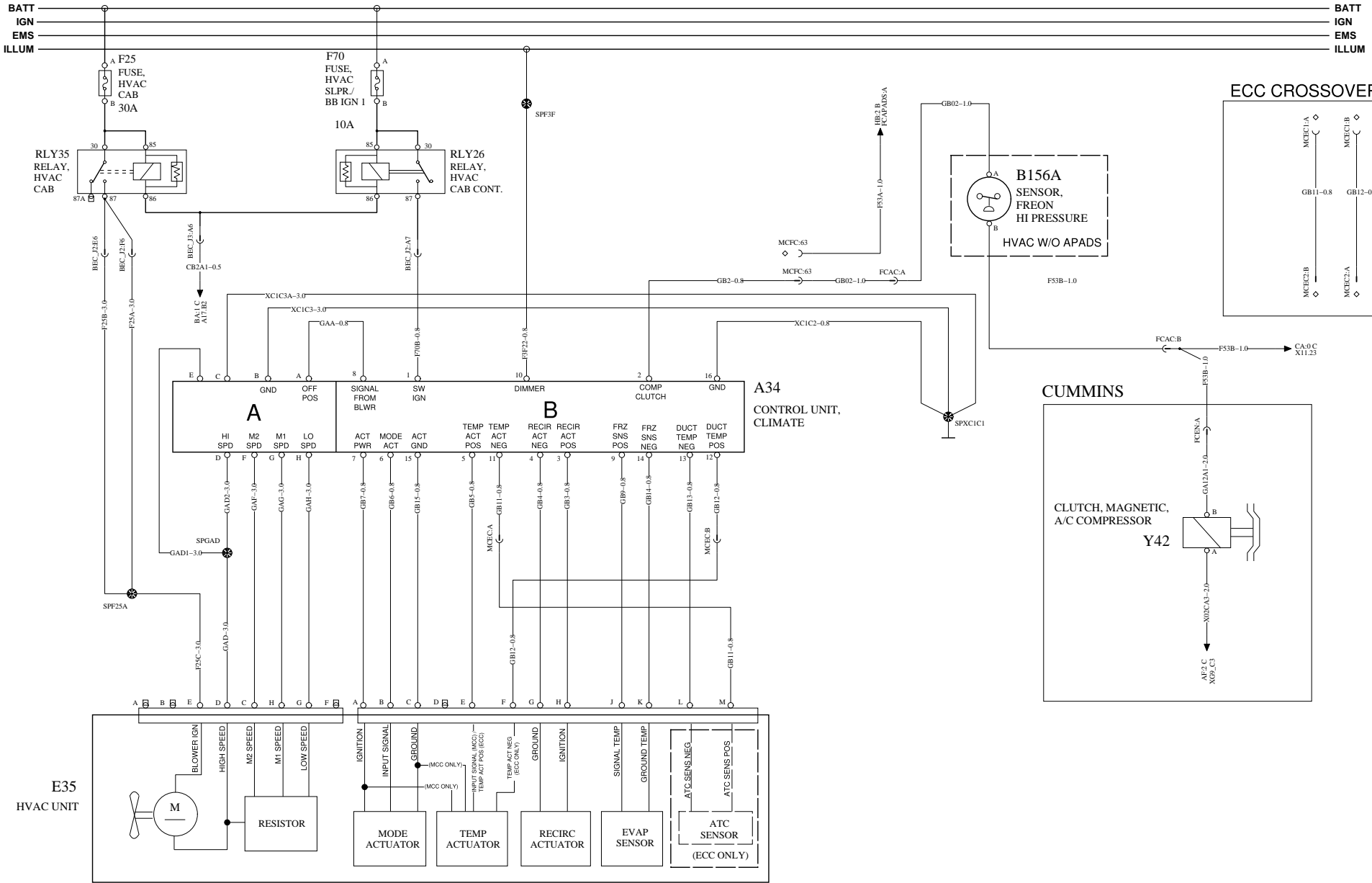
01

Page

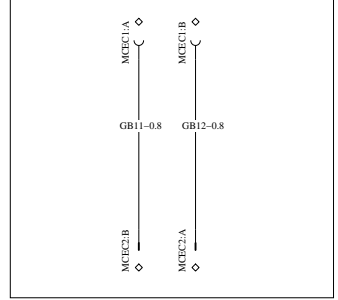
60 (83)

CLIMATE CONTROL

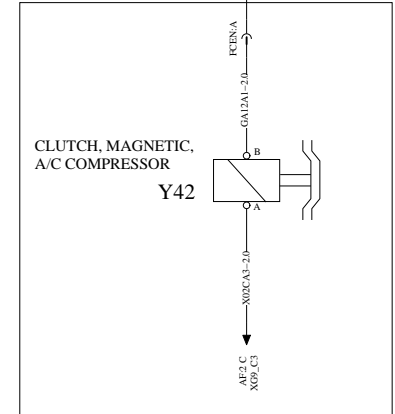
WIRING DIAGRAM: HA



ECC CROSSOVER JUMPER

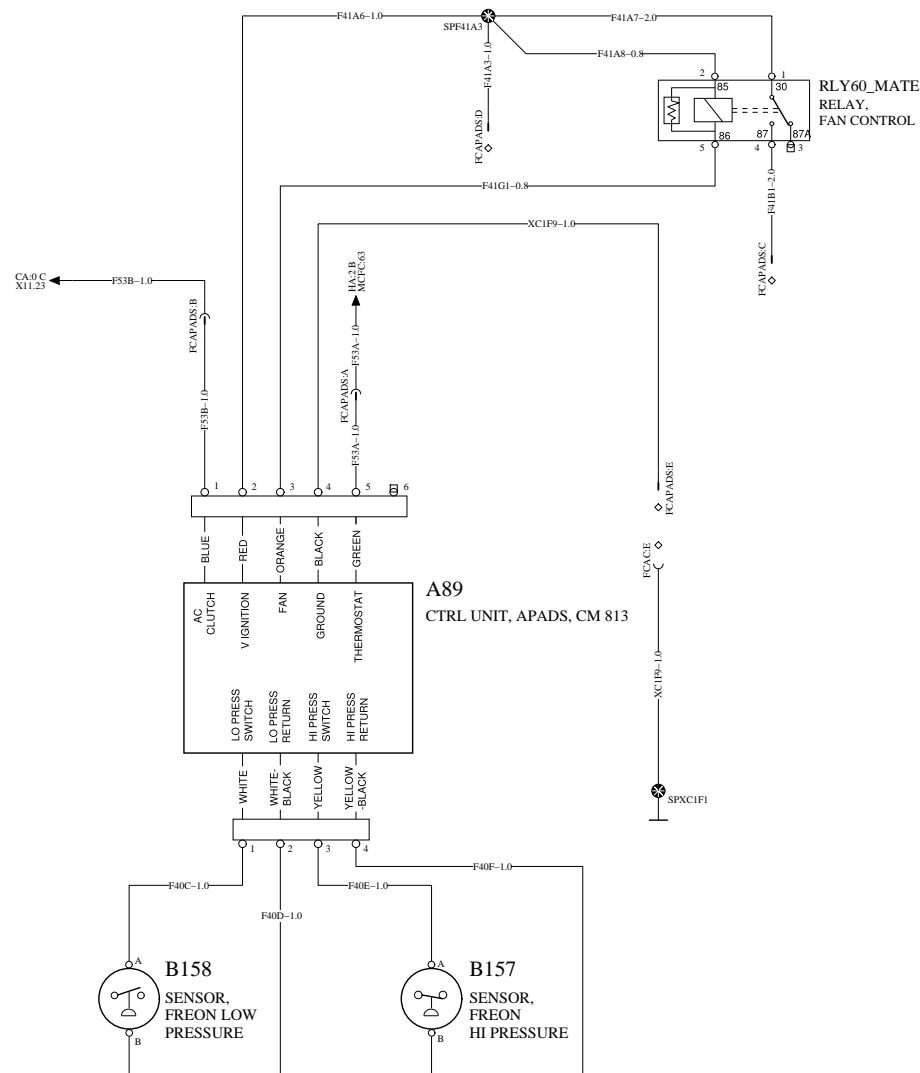


CUMMINS



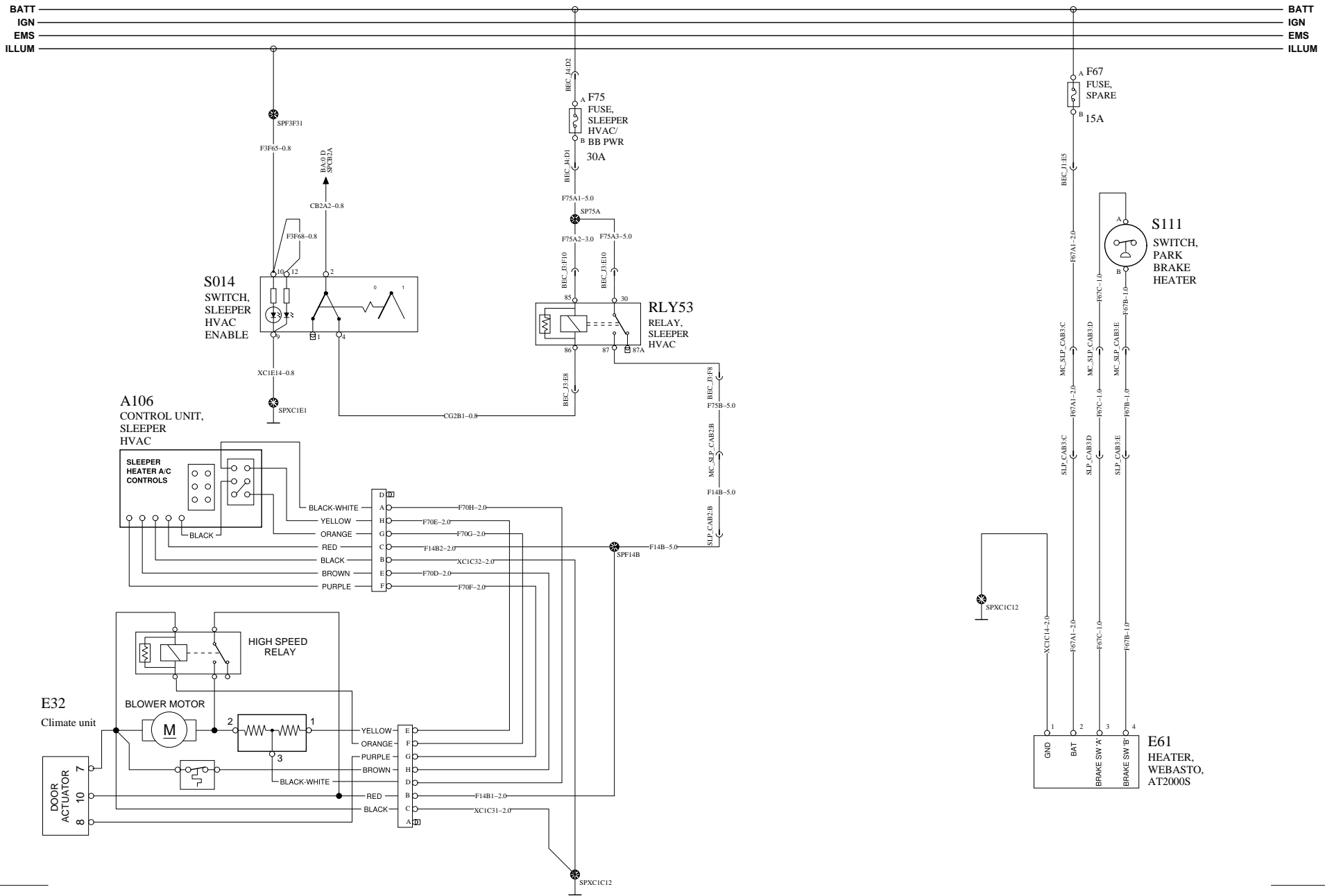
BATT
IGN
EMS
ILLUM

BATT
IGN
EMS
ILLUM



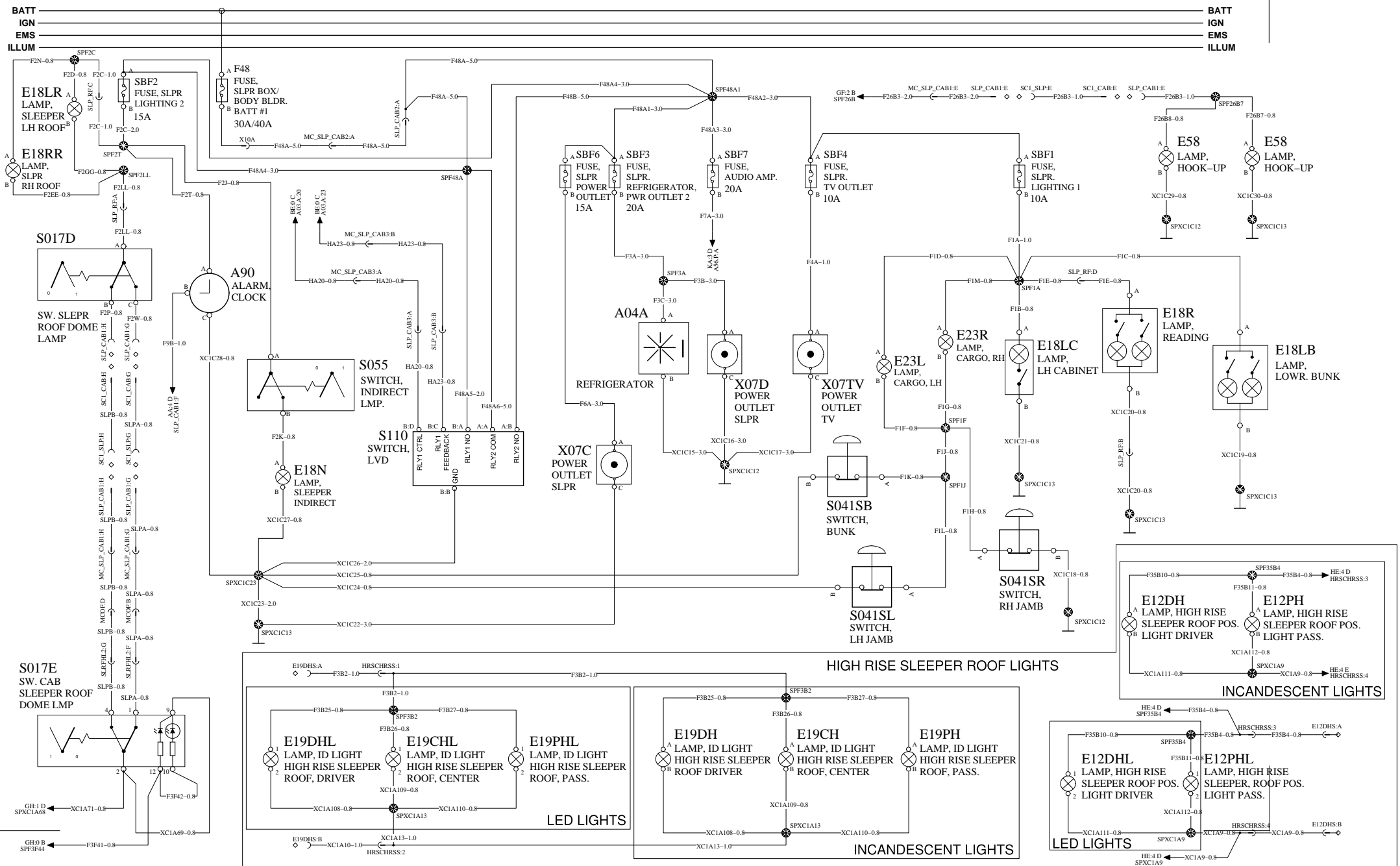
SLEEPER CLIMATE CONTROL

WIRING DIAGRAM: HD



SLEEPER FUNCTIONS

WIRING DIAGRAM: HE

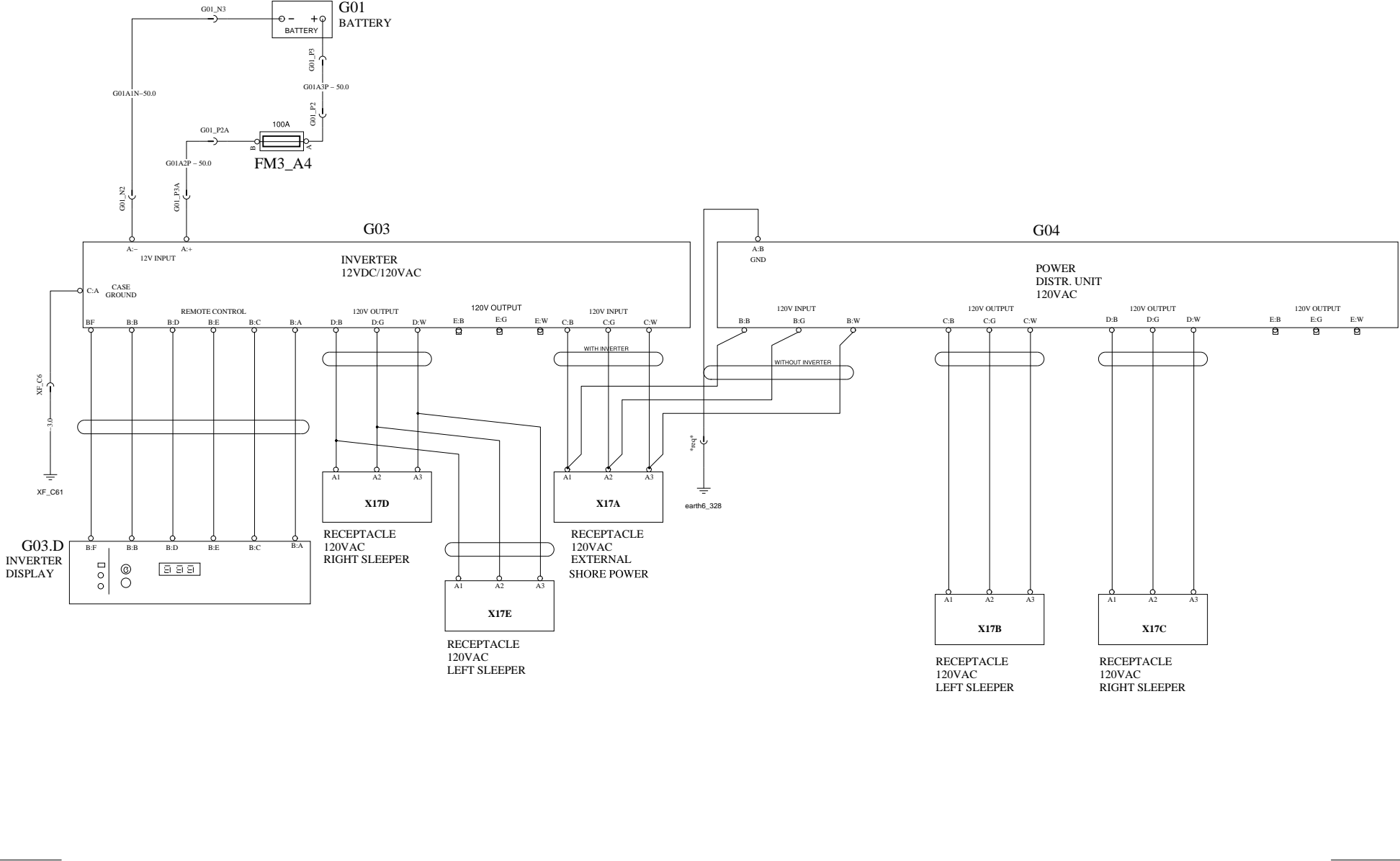


VOLVO	Group Trucks Technology	Document title	Document No	Issue	Volume	Page
		WIRING DIAGRAM - PC28 - 12V MACK - 2013BP - ENG-CU12	22234428	02	01	65 (83)
		Document type				
		PRODUCT SCHEMATIC				

120V AC SYSTEM / INVERTER

WIRING DIAGRAM: HF

BATT _____ BATT
 IGN _____ IGN
 EMS _____ EMS
 ILLUM _____ ILLUM



Group Trucks Technology

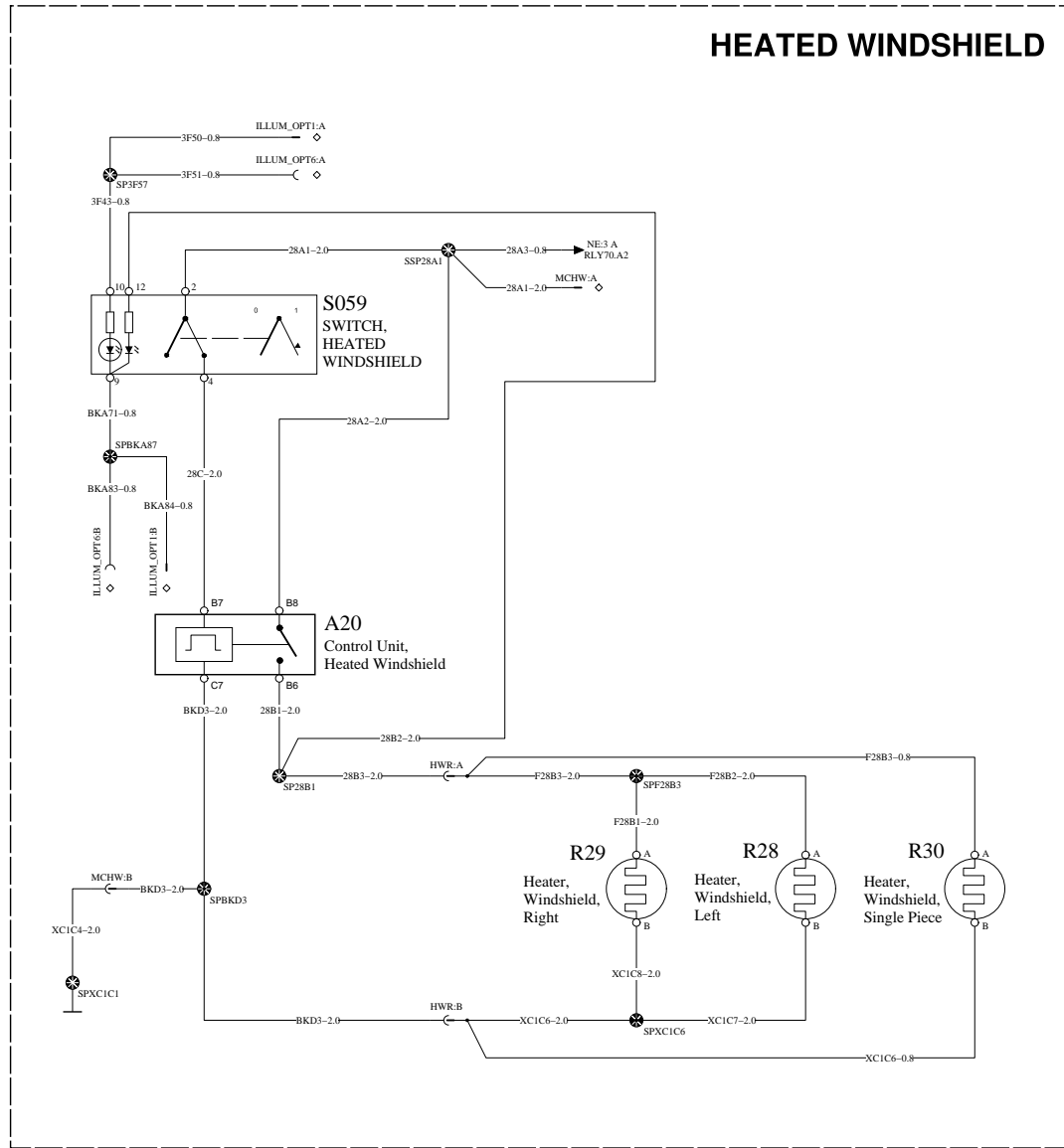
Document title
 WIRING DIAGRAM - PC28 - 12V MACK - 2013BP - ENG-CU12
 Document type
 PRODUCT SCHEMATIC

Document No	Issue	Volume	Page
22234428	02	01	66 (83)

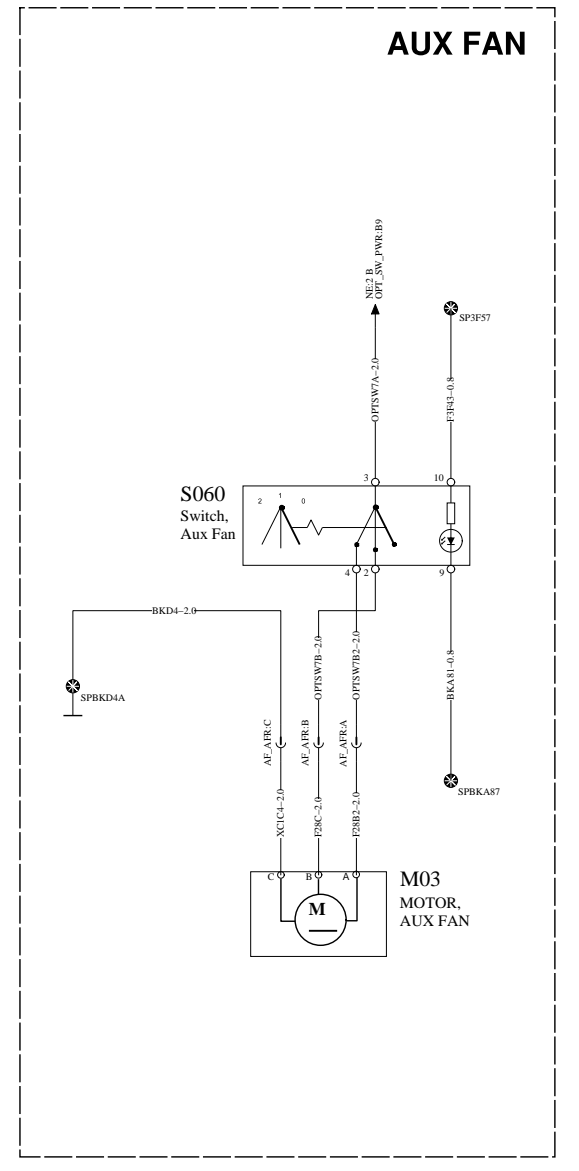
BATT _____
 IGN _____
 EMS _____
 ILLUM _____

BATT _____
 IGN _____
 EMS _____
 ILLUM _____

HEATED WINDSHIELD



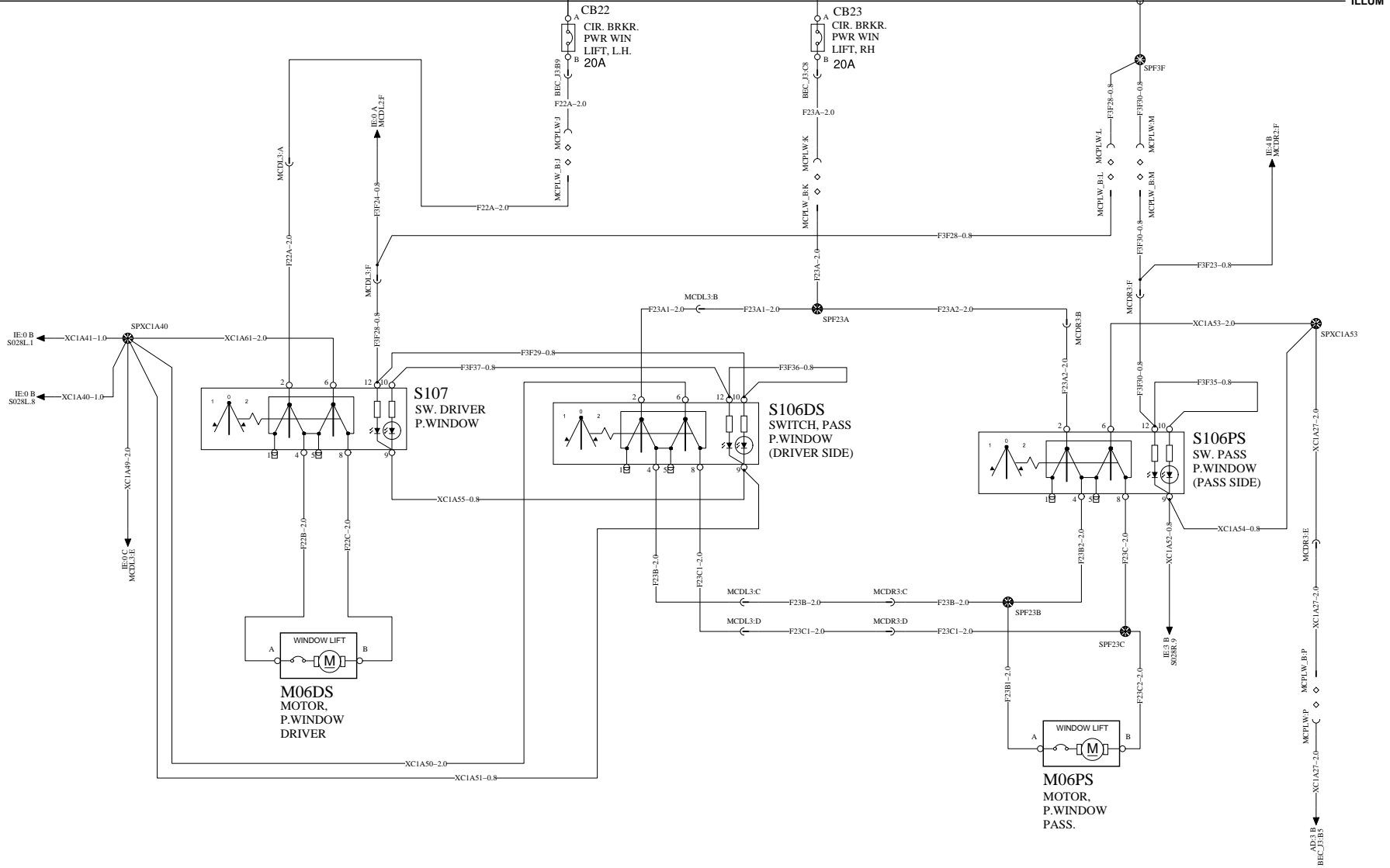
AUX FAN



RH & LH MOTORIZED WINDOWS

WIRING DIAGRAM: IA

BATT
IGN
EMS
ILLUM



Group Trucks Technology

Document title
WIRING DIAGRAM - PC28 - 12V MACK - 2013BP - ENG-CU12
Document type
PRODUCT SCHEMATIC

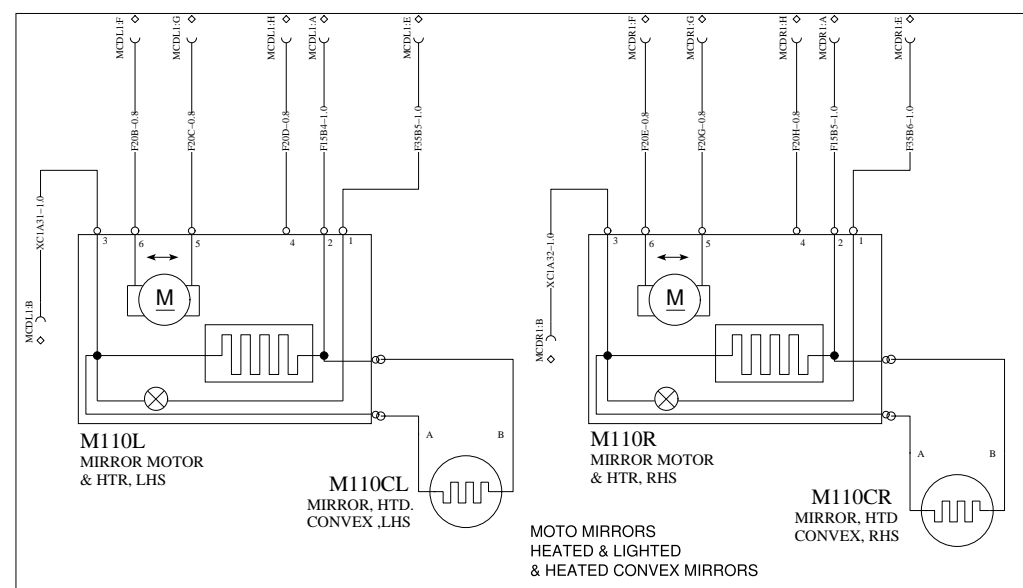
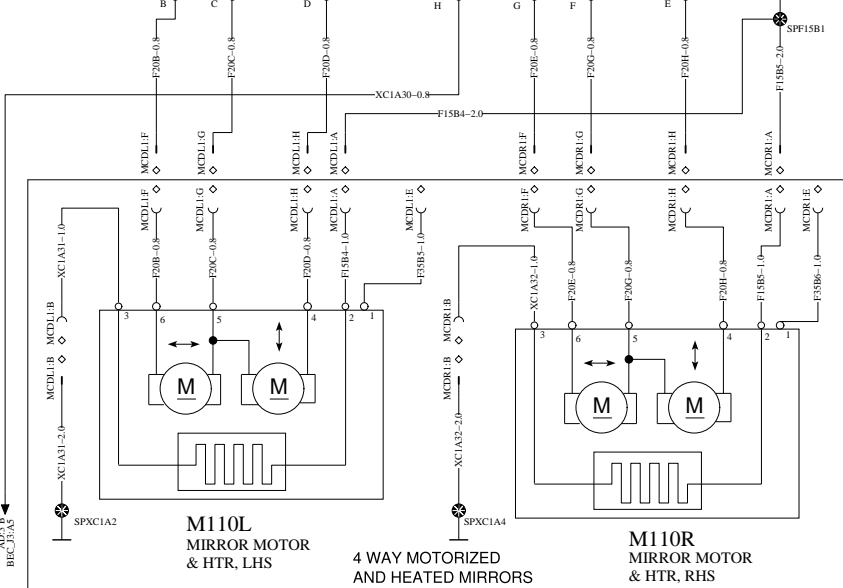
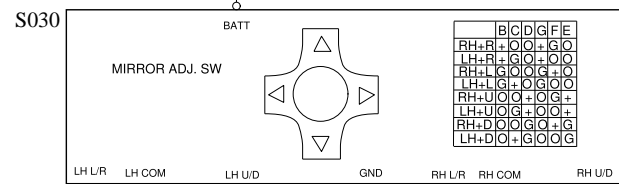
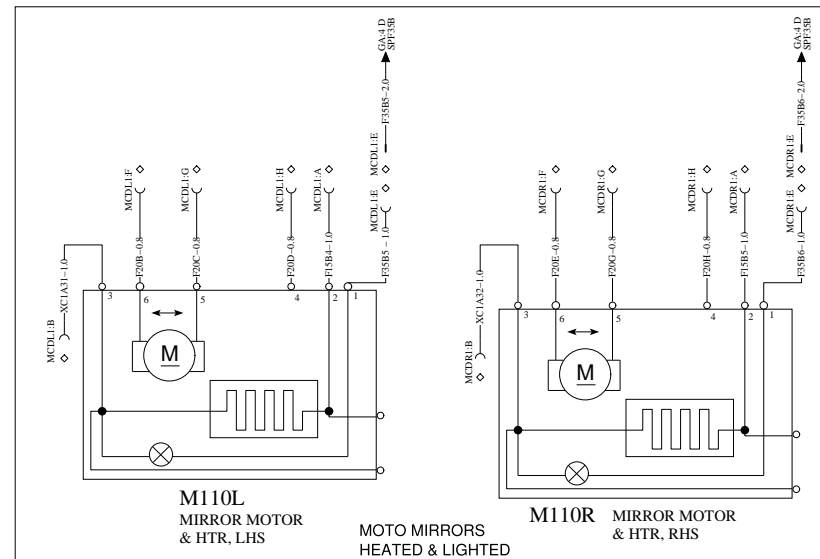
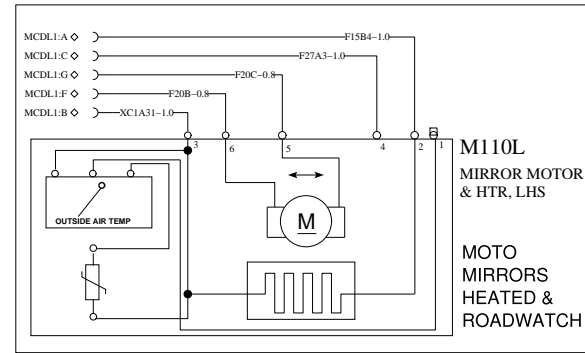
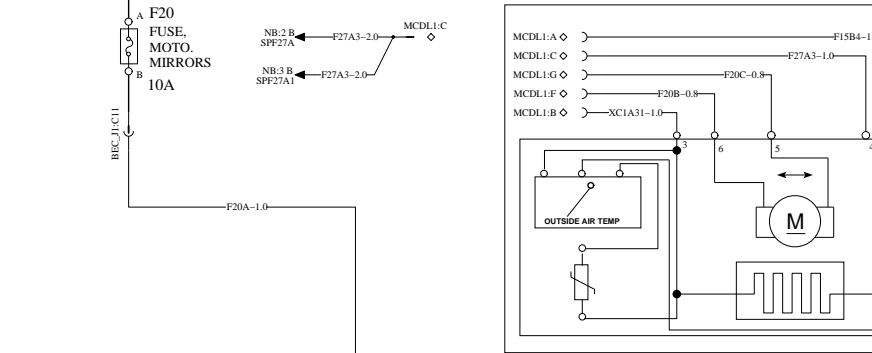
Document No
22234428

Issue	Volume	Page
02	01	68 (83)

MIRROR CONTROL 1/2

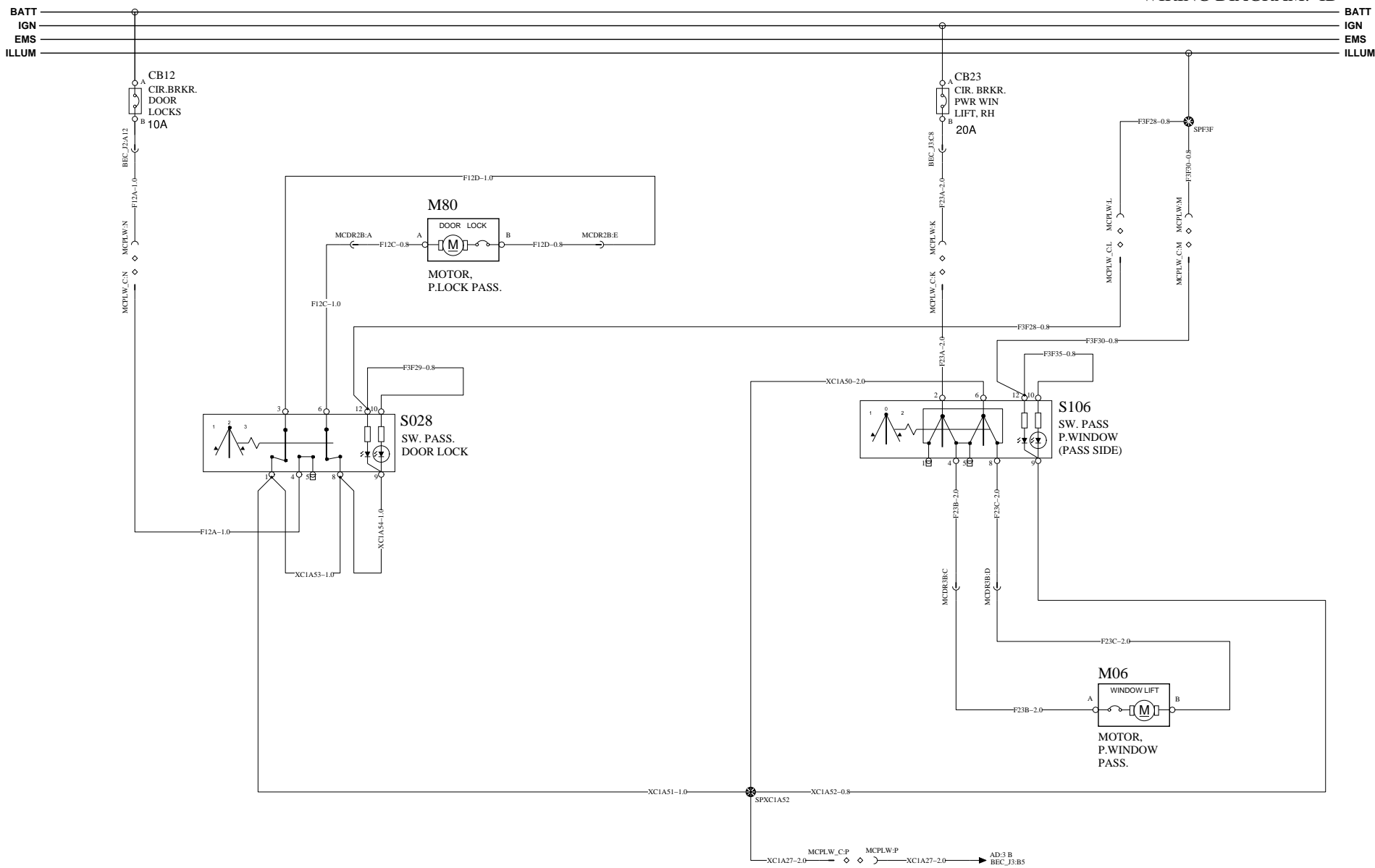
WIRING DIAGRAM: IC

BATT
IGN
EMS
ILLUM



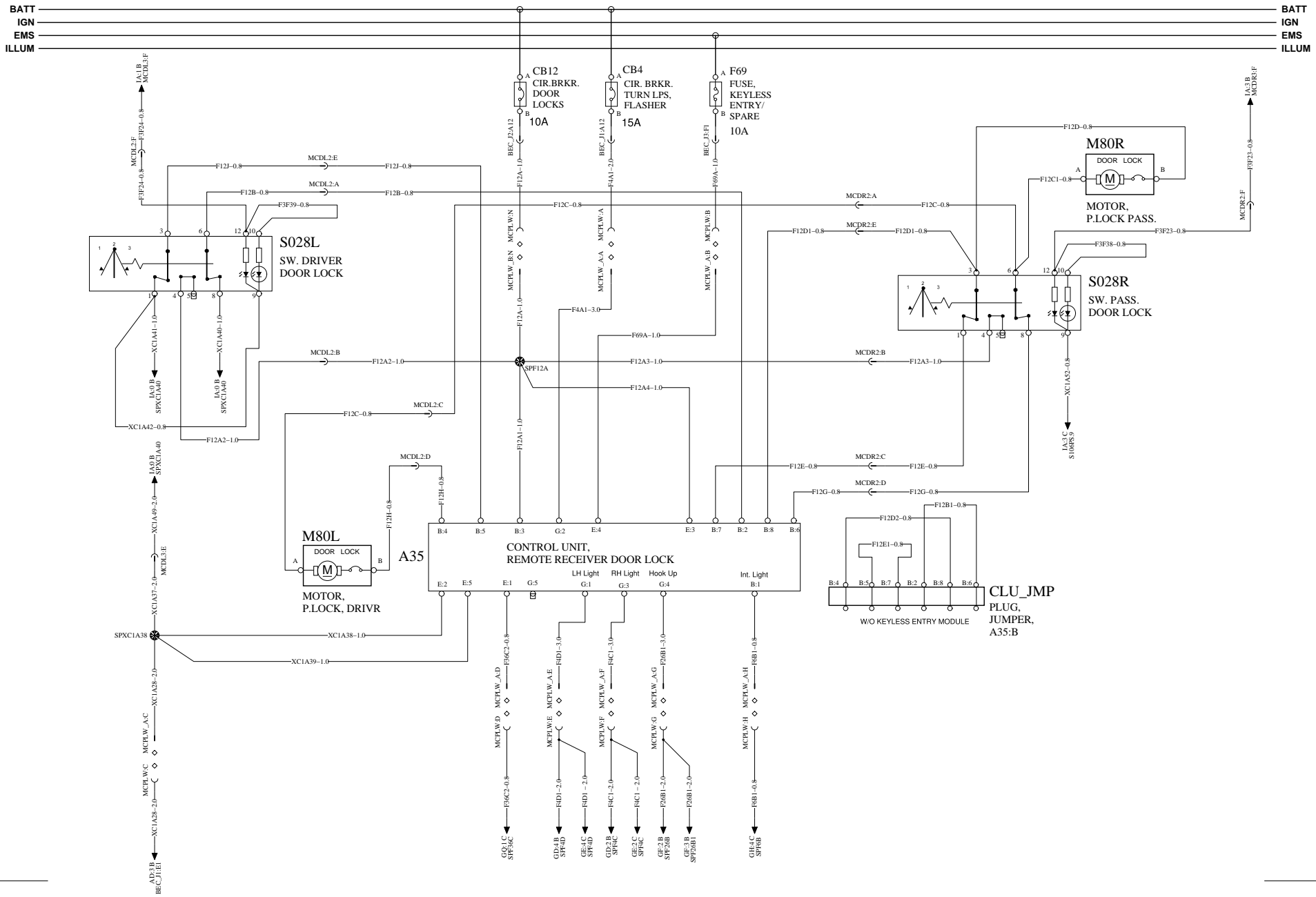
RH ONLY MOTORIZED WINDOWS & DOOR CONTROL

WIRING DIAGRAM: ID



RH & LH DOOR CONTROL

WIRING DIAGRAM: IE

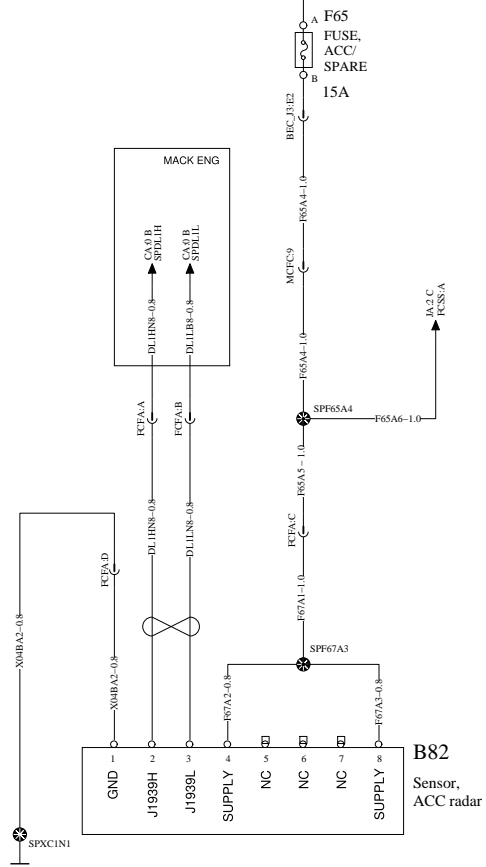


ADAPTIVE CRUISE CONTROL 2/2

WIRING DIAGRAM: JB

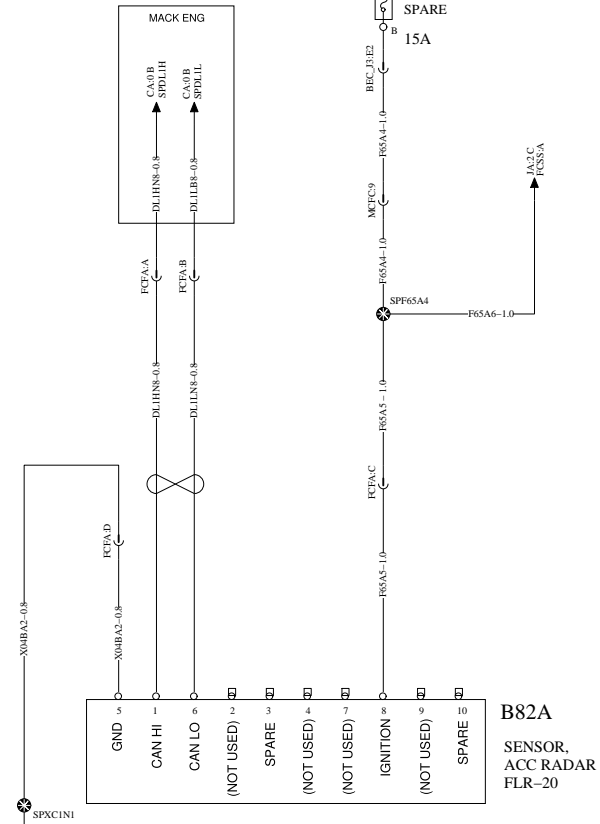
BATT
IGN
EMS
ILLUM

BATT
IGN
EMS
ILLUM



BENDIX FLR-10

B82
Sensor,
ACC radar



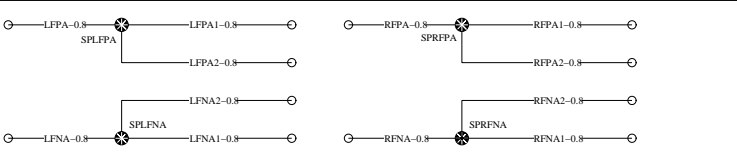
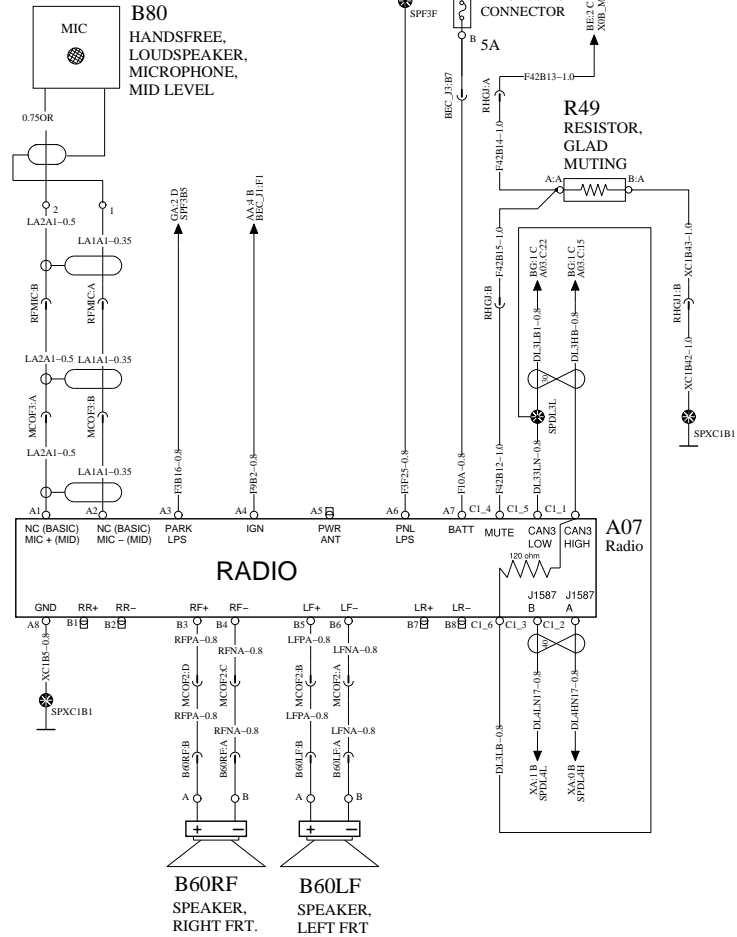
BENDIX FLR-20

B82A
SENSOR,
ACC RADAR
FLR-20

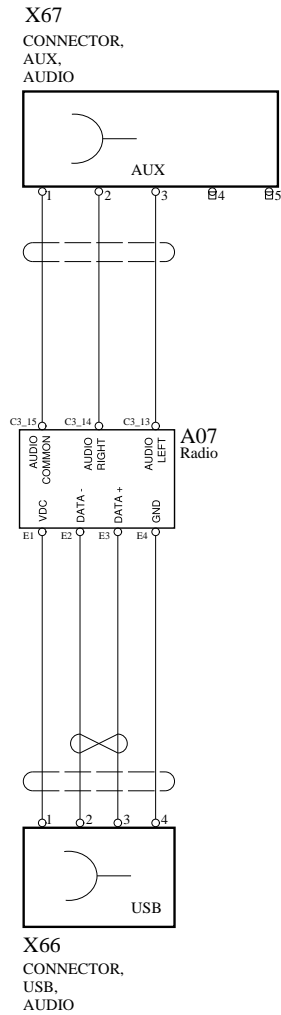
AUDIO SYSTEM

BATT
IGN
EMS
ILLUM

DAYCAB



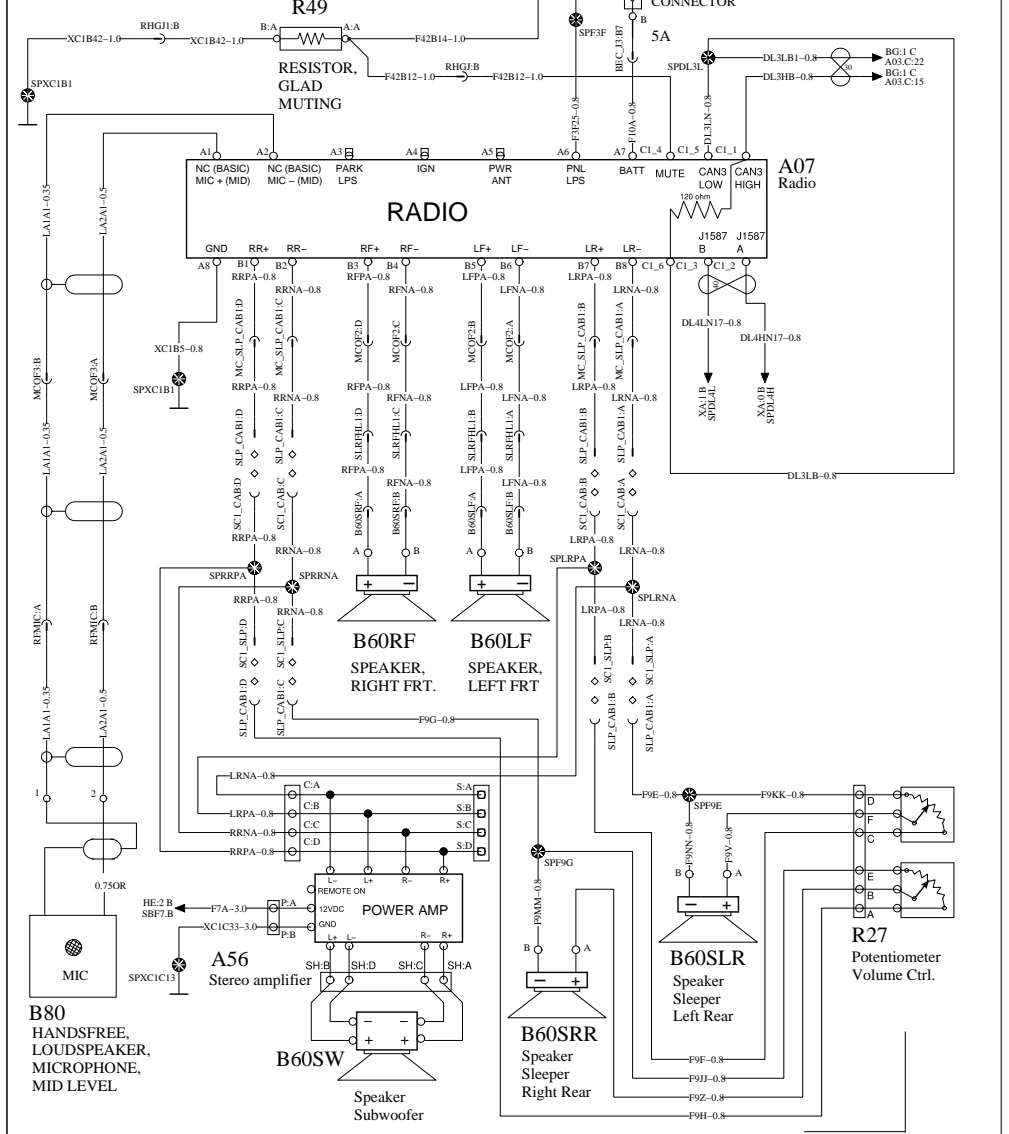
USB/AUX RADIO INPUT



WIRING DIAGRAM: KA

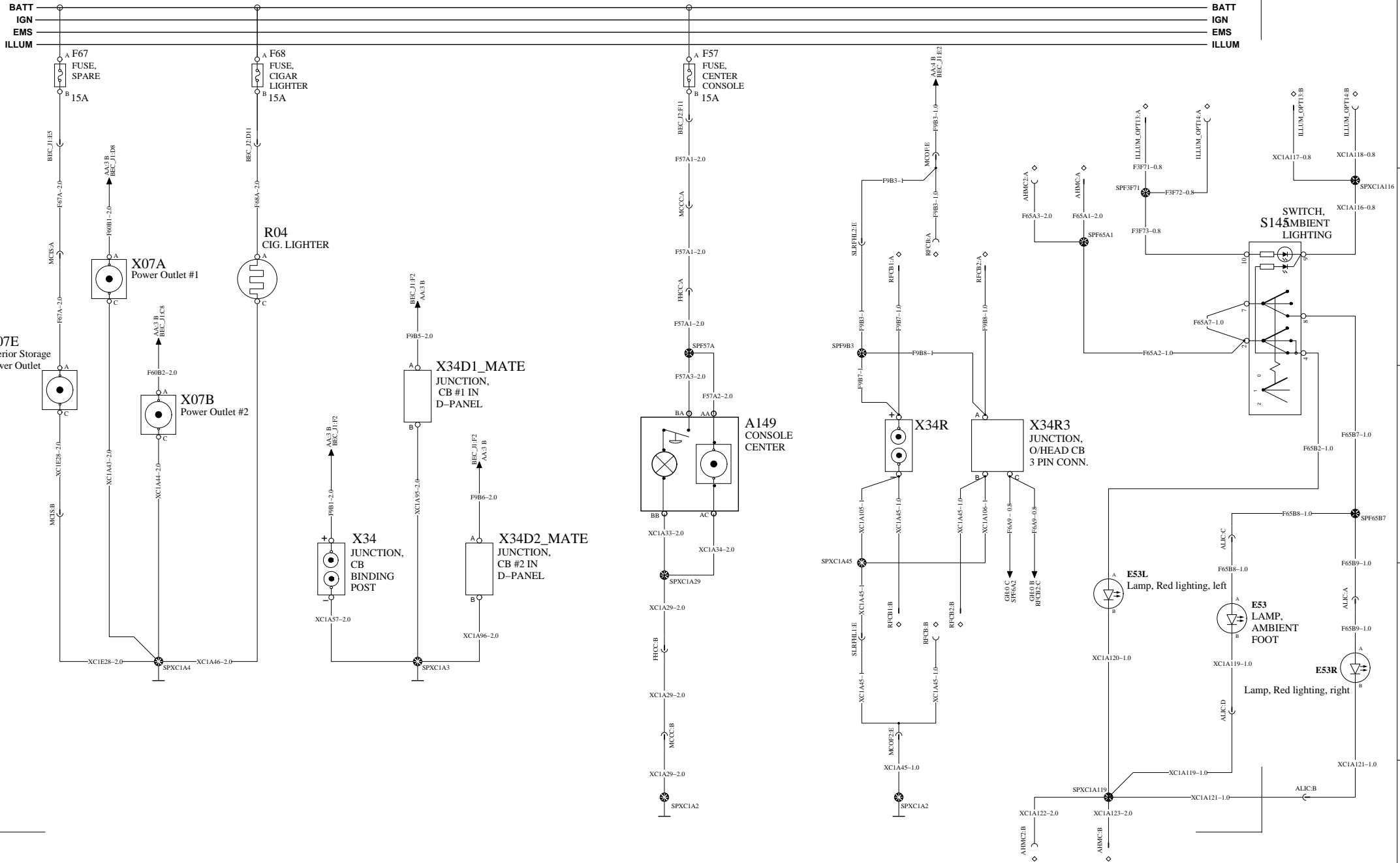
BATT
IGN
EMS
ILLUM

SLEEPER



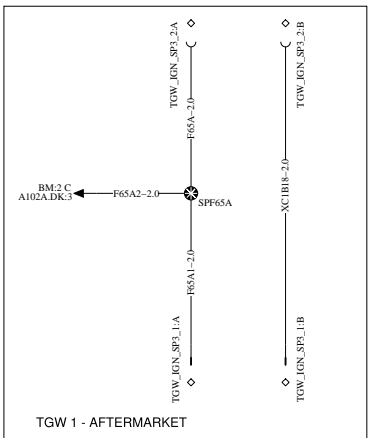
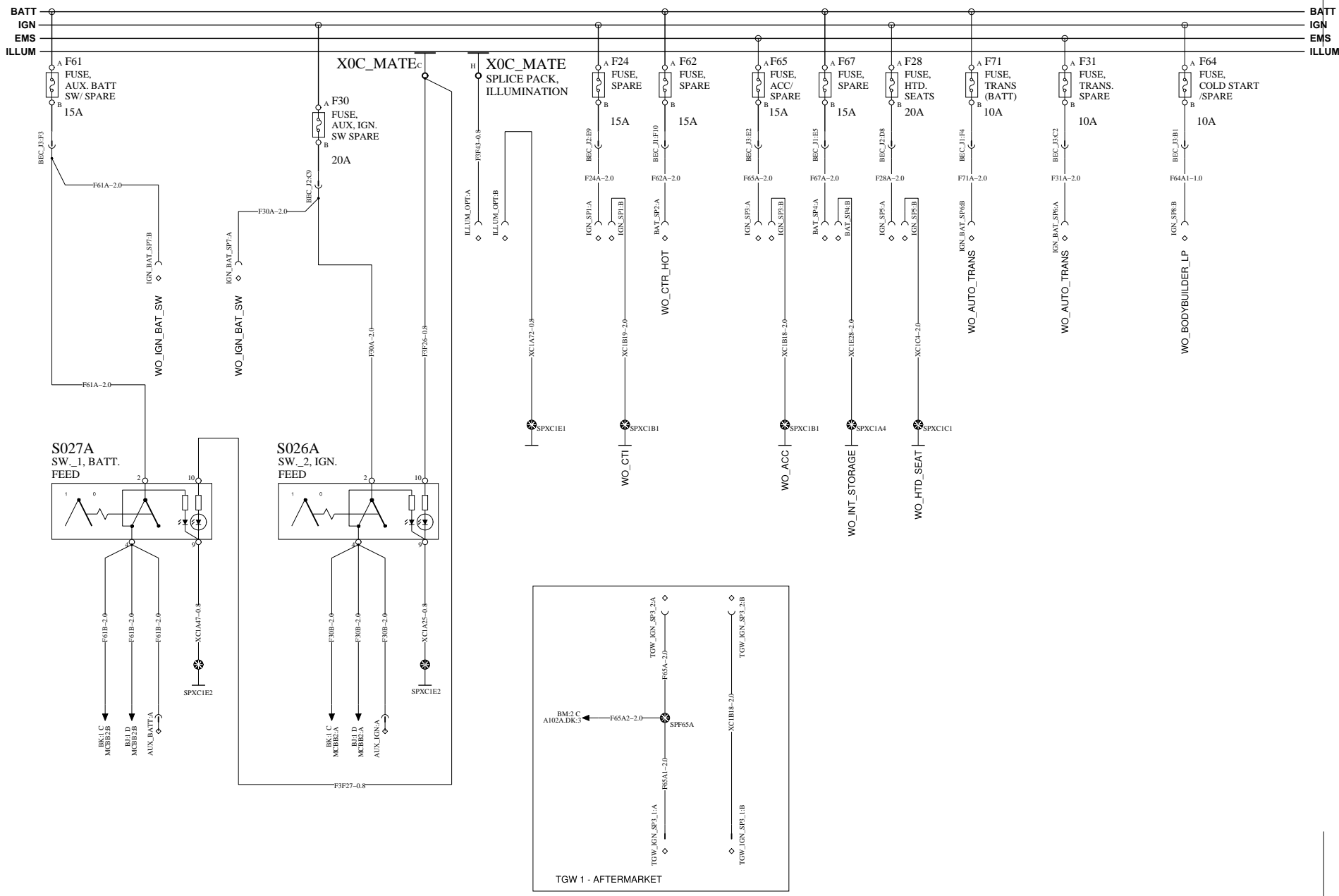
POWER OUTLET CONNECTIONS – FLOOR LIGHTING

WIRING DIAGRAM: KC



IGNITION & BATTERY SWITCHES & SPARE CONNECTORS

WIRING DIAGRAM: NA



JUNCTION POSTS

WIRING DIAGRAM: NB

BATT
IGN
EMS
ILLUM

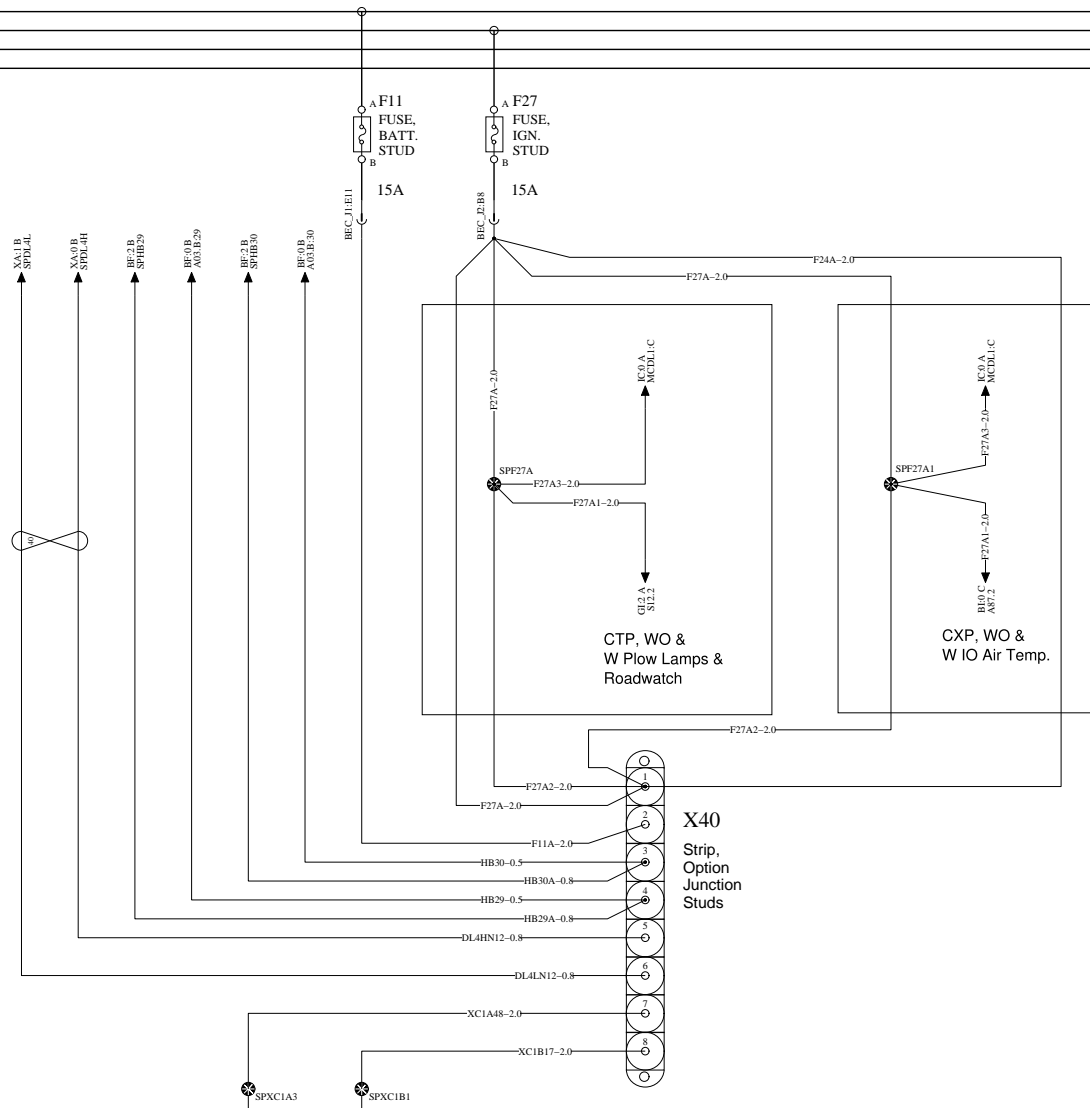
A

B

C

D

E



Group Trucks Technology

Document title
WIRING DIAGRAM - PC28 - 12V MACK - 2013BP - ENG-CU12
Document type
PRODUCT SCHEMATIC

Document No
22234428

Issue	Volume	Page
02	01	77 (83)

0

1

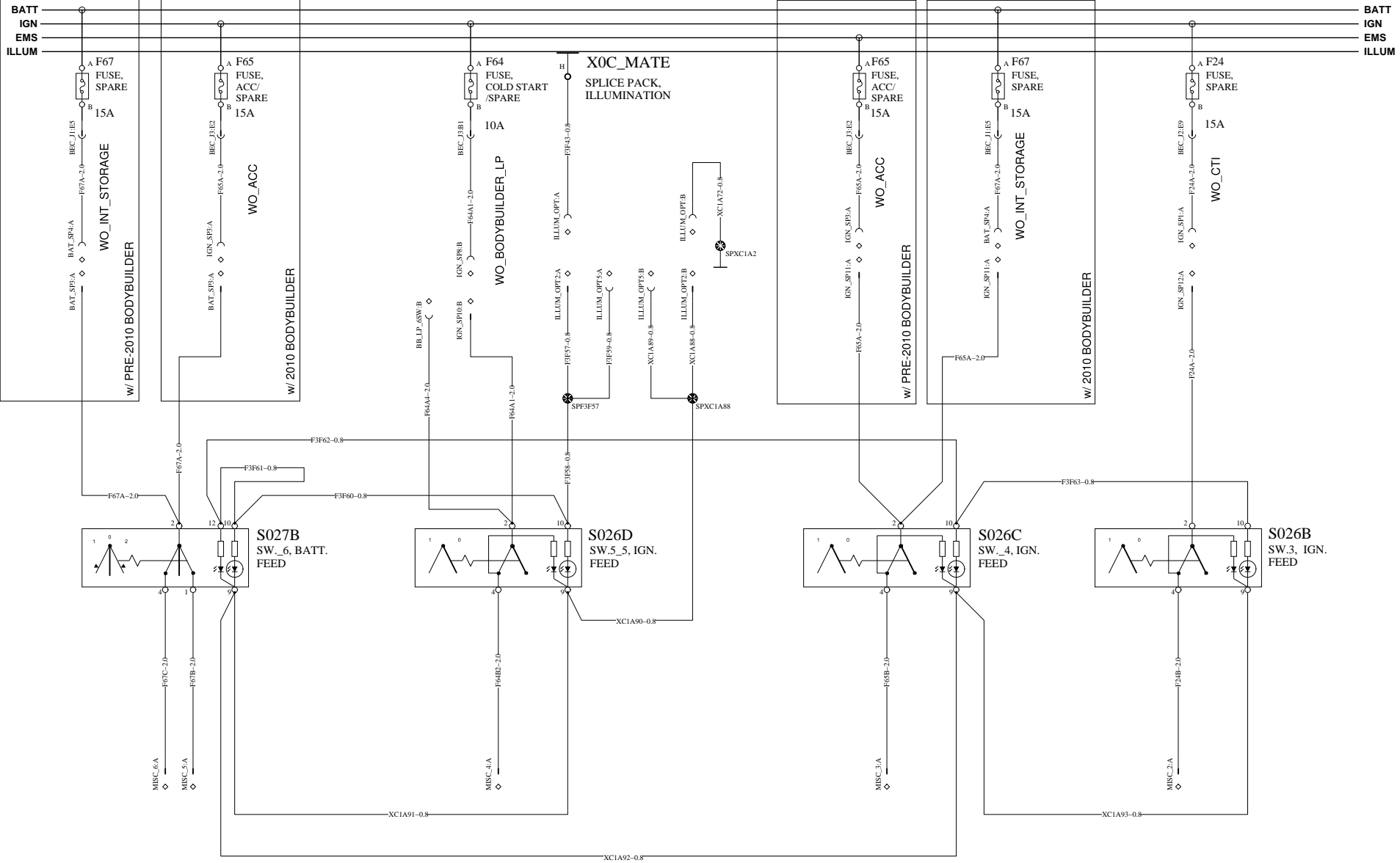
2

3

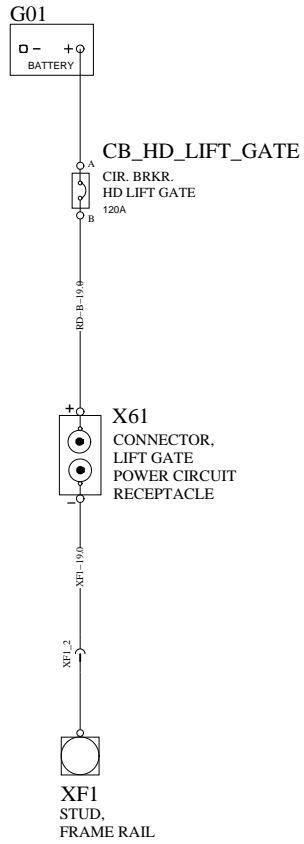
4

ADDITIONAL IGNITION & BATTERY SWITCHES 1/3

WIRING DIAGRAM: NC



BATT _____ BATT
 IGN _____ IGN
 EMS _____ EMS
 ILLUM _____ ILLUM

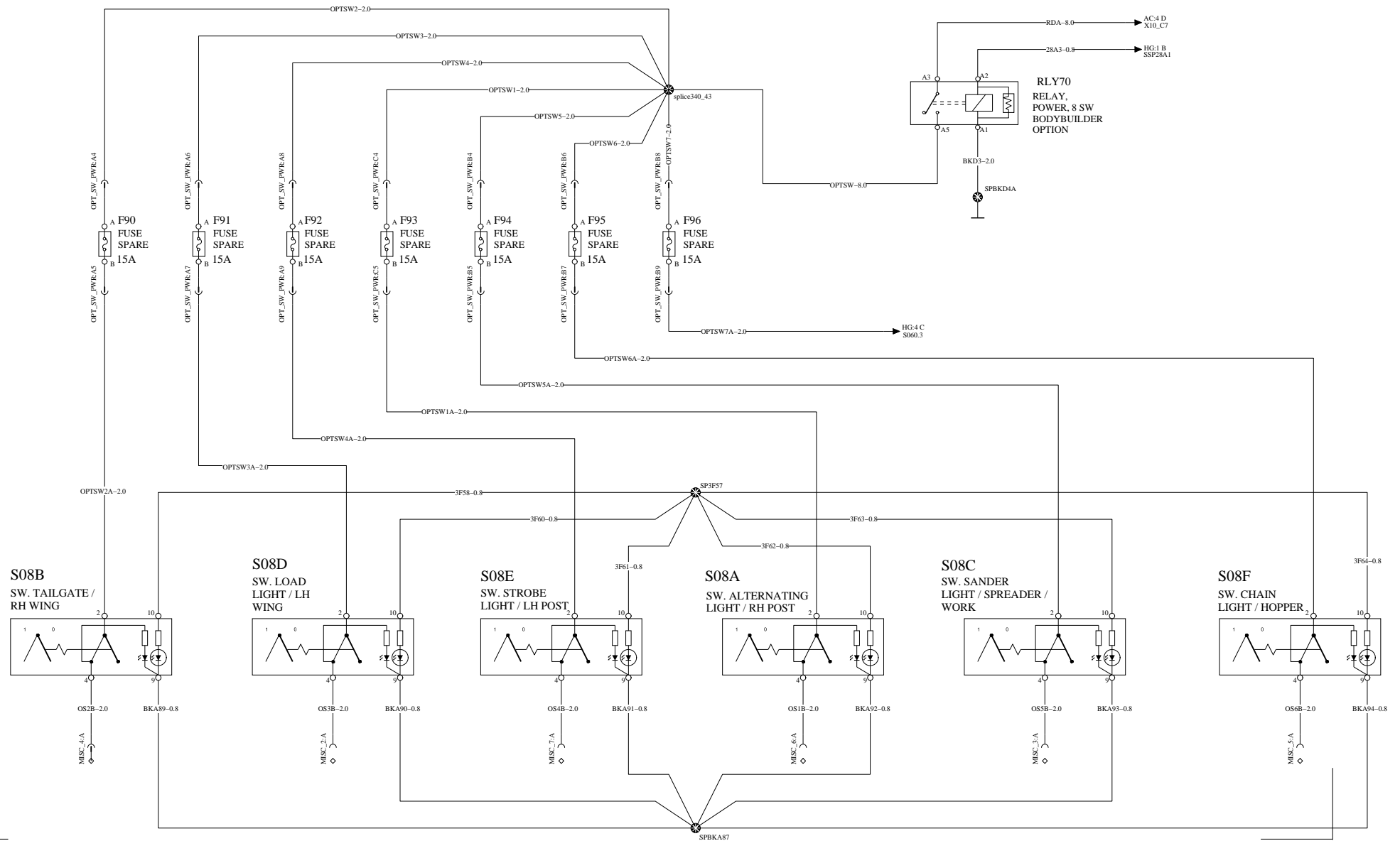


ADDITIONAL IGNITION & BATTERY SWITCHES 2/3

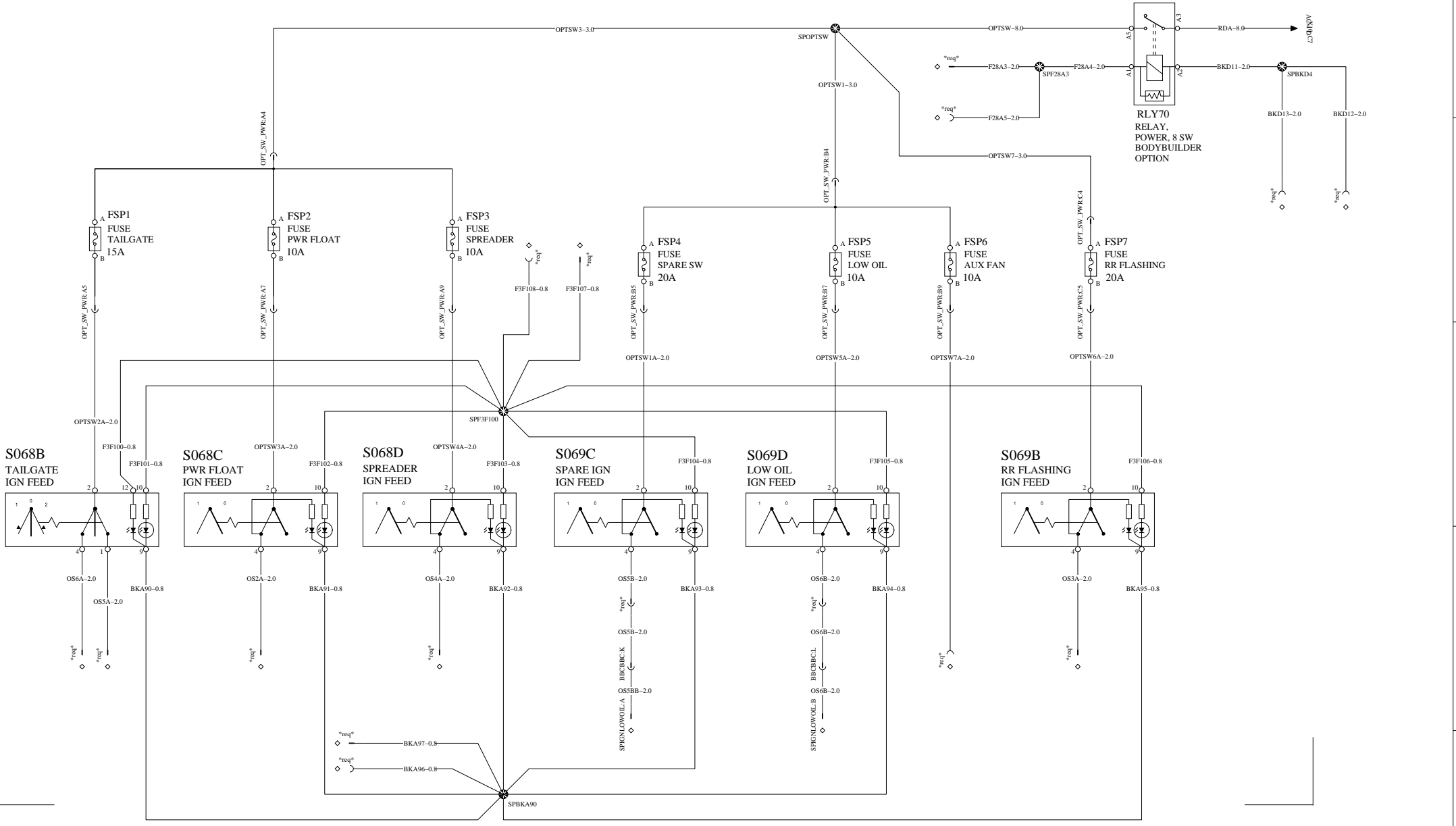
WIRING DIAGRAM: NE

BATT
IGN
EMS
ILLUM

BATT
IGN
EMS
ILLUM



BATT
IGN
EMS
ILLUM

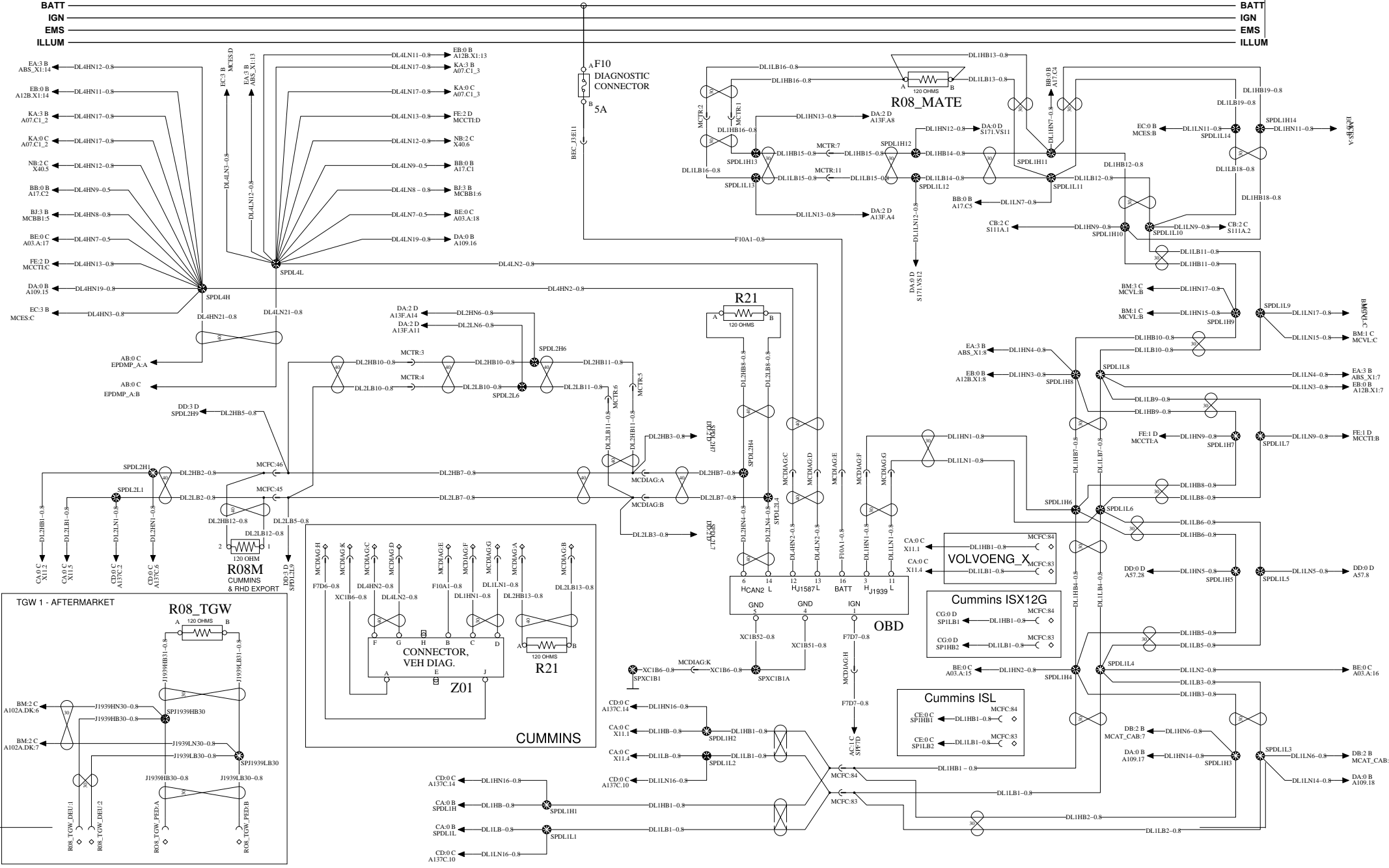


DATA LINK /DIAGNOSTICS

BATT
IGN
EMS
ILLUM

WIRING DIAGRAM: XA

BATT
IGN
EMS
ILLUM



Document title WIRING DIAGRAM - PC28 - 12V MACK - 2013BP - ENG-CU12	Document No 22234428	Issue 02	Volume 01	Page 82 (83)
Document type PRODUCT SCHEMATIC				



Group Trucks Technology

